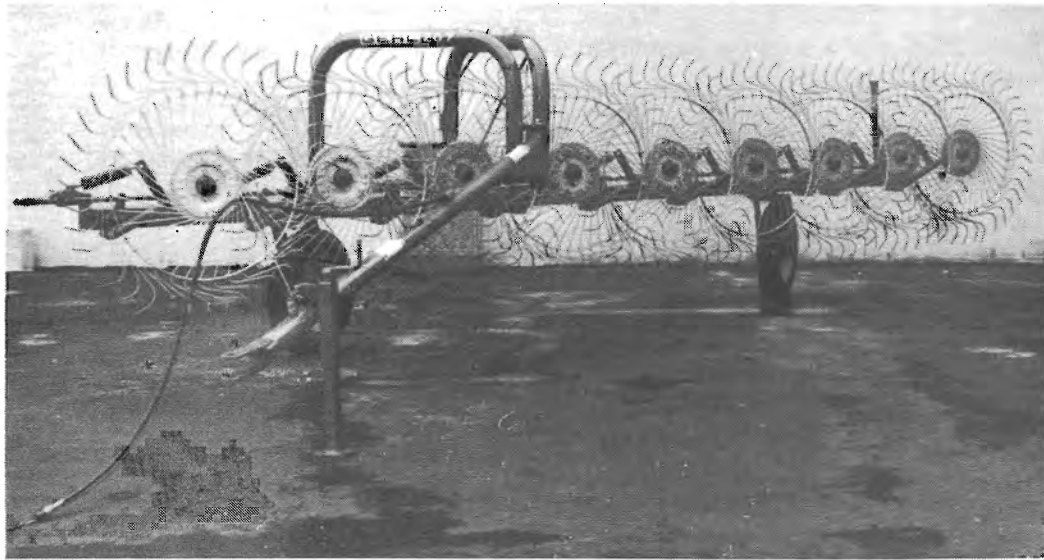


# WR207

## Finger Wheel Rake



### OPERATOR'S AND SERVICE PARTS MANUAL

Form No.  
903681

GEHL<sup>®</sup> COMPANY

# Warranty

## GEHL® COMPANY New Agricultural Equipment

Gehl Company (Incorporated), hereinafter referred to as GEHL, as manufacturer of quality machinery since 1859, warrants new GEHL machinery and/or attachments at the time of delivery to the original purchaser to be free from defects in material and workmanship if properly set up and operated in accordance with the recommendations set forth in GEHL's Operator Manual.

GEHL's liability for any defect with respect to accepted goods shall be limited to repairing the goods at an authorized GEHL dealer or other GEHL designated location, or replacing them, as GEHL shall elect. The above shall be in accordance with GEHL warranty adjustment policies. GEHL's obligation shall terminate twelve (12) months after the delivery of the goods to the original purchaser.

This warranty shall not apply to any machine or attachment which shall have been repaired or altered outside the GEHL factory or authorized GEHL dealership or in any way so as in GEHL's judgment, to affect its stability or reliability, nor which has been subject to misuse, negligence or accident, nor to any machine or attachment which shall not have been operated in accordance with GEHL's printed instructions or beyond the company recommended machine rated capacity.

This warranty shall not be applicable to items which are subject to the warranties of their respective manufacturers. Such items would include but would not be limited to engines, clutches, universal joints, knives, hydraulic components, bearings, tires, belts and other trade accessories.

### EXCLUSION OF WARRANTIES

Except as otherwise expressly stated herein, GEHL makes no representation or warranty of any kind, express or implied, AND MAKES NO WARRANTY OF MERCHANTABILITY IN RESPECT TO ITS MACHINERY AND/OR ATTACHMENTS AND MAKES NO WARRANTY THAT ITS MACHINERY AND/OR ATTACHMENTS ARE FIT FOR ANY PARTICULAR PURPOSE. GEHL shall not be liable for incidental or consequential damages for any breach of warranty, including but not limited to inconvenience, rental or replacement equipment, loss of profits or other commercial loss. GEHL shall not be liable for, and the buyer assumes all liability for, all personal injury and property damage resulting from the handling, possession or use of the goods by the buyer.

No agent, employee or representative of GEHL has any authority to bind GEHL to any affirmation, representation or warranty concerning its machinery and/or attachments except as specifically set forth herein.

# CHAPTER 1

## INTRODUCTION

### Mr. Operator:

Your decision to purchase this piece of GEHL equipment was a good one. We are sure that your decision was strongly considered and that you are looking forward to many seasons of work from this machine.

We, as a Company, have invested a great deal of time and effort in developing our lines of agricultural and industrial equipment. The equipment you have purchased is built with a great deal of pride and designed to give you long life, efficient operation, durability and dependability.

This manual was developed specifically for the machine you have purchased. The information, contained within, was prepared for your assistance in preparing, adjusting, maintaining and servicing your machine. More importantly, this manual provides an operating plan for safe and proper use of your machine. Major points of safe operation are detailed in the **SAFETY** chapter of this manual. Refer to the Table of Contents for an outline (by chapters) of this manual. Use the Index, in the back of the manual, for specific chapter and topic/ page number references.

**Modern machinery has become more sophisticated and, with that in mind, GEHL Company asks that you read and understand the contents of this manual COMPLETELY and become familiar with your new machine, BEFORE attempting to operate it.**

Our wide Dealership network stands by to provide you with any assistance you may require, including genuine GEHL service parts. All parts should be obtained from or ordered through your GEHL Dealer. Give complete information about the part as well as the model number and the serial number of your machine. Record numbers, in space provided, as a handy record for quick reference.

### Typical Model & Serial No. Plate

MODEL NO. <b>WR207</b>
SERIAL NO.  (Fill In)
<b>GEHL COMPANY WEST BEND, WIS. 53095 U.S.A.</b>

Numbers for this unit are stamped on a plate located on the back side of the Width Adjustment Wheel Pivot Frame member.

“Right” and “Left” are determined from a position standing behind the unit and facing toward the direction of travel.

GEHL Company reserves the right to make changes or improvements in the design or construction of any part without incurring the obligation to install such changes on any unit previously delivered.

Throughout this manual, information is provided which is set in **bold type** and introduced by the word **NOTE. BE SURE** to read **carefully** and **comply** with the message or directive given. Following this information will improve your operating or maintenance efficiency, help you to avoid costly breakdown or unnecessary damage and, extend your machine’s life. For your added convenience, an order form is provided at the end of this manual which can be used to conveniently requisition copies of this and other related Technical Publications.

**The GEHL Company, and the American Society of Agricultural Engineers, have adopted this SAFETY ALERT SYMBOL**



**to pinpoint characteristics which, if not properly followed, can create a safety hazard. When you see this symbol in this manual or on the unit itself, you are reminded to BE ALERT! Your Safety is involved.**

## TABLE OF CONTENTS

Chapter	Description	Page
	Warranty .....	Inside Front Cover
1	Introduction & Table of Contents .....	1
2	Specifications .....	2
3	Check Lists .....	3-5
4	Safety .....	6
5	General Information .....	7-14
6	Decal Locations .....	15
	Service Parts & Numerical Index ....	16-22
	Index .....	24

# CHAPTER 2

## SPECIFICATIONS

**All Dimensions are in Inches (Millimeters)  
Unless Otherwise Noted**

Model & Description . . . . . WR207 Finger Wheel Rake  
Power . . . . . By a 30 hp (22 kw) Tractor with Remote  
Hydraulic Circuit  
Operating Width (Adjustable) . . . . . 12 feet (3.5 meters);  
15 feet (4.5 meters) with Optional 2  
Finger Wheel Extension  
Transport Width . . . . . 10 feet (3 meters);  
12 feet (3.5 meters) with Optional 2  
Finger Wheel Extension  
Finger Wheel Diameter . . . . . 55-1/8 (1400)  
Number of Finger Wheels . . . . . 7; 9 with Optional 2  
Finger Wheel Extension  
Number of Tines on Each Wheel . . . . . 40  
Unit Weight (Approximate) . . . . . 1340 lb (615 kg)  
Wheel Size . . . . . 6.00 x 16 Rims  
for 6.00 x 16 4-ply Tires

### **Standard Features:**

Fingerwheels Running on Ball Bearings  
Hydraulic Cylinder Controlled Operating/Transport  
Adjustment

### **Optional Features & Accessories:**

Frame Extension & 2 Finger Wheels

# CHAPTER 3

## CHECK LISTS

### PRE-DELIVERY

The following Checklist is an important reminder of valuable information and inspections which **MUST** be made before delivering the unit to the Customer. Check off each item after prescribed action is taken.

Check that:

- \_\_\_ **NO** parts of unit have been damaged in shipment. Check for such things as dents and loose or missing parts; correct or replace components as required.
- \_\_\_ Wheel Rake has been completely and properly setup according to details in this manual.
- \_\_\_ All bolts and fasteners are in place and tightly secured.
- \_\_\_ Cylinders, Hoses and Fittings are **NOT** damaged, leaking or loosely connected.
- \_\_\_ All Grease Fittings have been properly lubricated; see Lubrication topic of this manual.
- \_\_\_ Wheels are properly and securely attached and Tires are properly inflated.
- \_\_\_ All Decals are in place and securely attached.
- \_\_\_ Serial Number for this unit is recorded in space provided on this page and page 2.

I acknowledge that pre-delivery procedures were performed on this unit as outlined above.

\_\_\_\_\_  
**Dealership Name**

\_\_\_\_\_  
**Dealer Representative's Name**

\_\_\_\_\_  
**Date Checklist Filled-out**

\_\_\_\_\_  
**Serial Number**

### DELIVERY

The following Checklist is an important reminder of valuable information that **MUST** be passed on to the Customer at the time the unit is delivered. Check off each item as you explain it to the Customer.

- \_\_\_ Give the Customer his Operator's Manual. Instruct him to be sure to read and completely understand its contents **BEFORE** operating unit.
- \_\_\_ Direct him on how to use the Index of this manual as a quick page number locating guide.
- \_\_\_ Explain and review with him the **SAFETY** chapter of this manual.
- \_\_\_ Explain that regular lubrication is required for continued proper operation and long life. Review with him the Lubrication and Maintenance topics of this manual.
- \_\_\_ Completely fill out the Owner's Registration, including Customer's signature and, return it to the GEHL Company.

I acknowledge that above points were reviewed with me at the time of delivery.

\_\_\_\_\_  
**Customer's Signature**

\_\_\_\_\_  
**Date Delivered**

**(NOTE: Pages 3 and 4 Have Been Removed At Perforation)**

(Remove Dealer's File Copy At Perforation)

**INTENTIONALLY BLANK**  
**(To be removed as Dealer's File Copy)**

# CHAPTER 3

## CHECK LISTS

### PRE-DELIVERY

The following Checklist is an important reminder of valuable information and inspections which **MUST** be made before delivering the unit to the Customer. Check off each item after prescribed action is taken.

Check that:

- \_\_\_ **NO** parts of unit have been damaged in shipment. Check for such things as dents and loose or missing parts; correct or replace components as required.
- \_\_\_ Wheel Rake has been completely and properly setup according to details in this manual.
- \_\_\_ All bolts and fasteners are in place and tightly secured.
- \_\_\_ Cylinders, Hoses and Fittings are **NOT** damaged, leaking or loosely connected.
- \_\_\_ All Grease Fittings have been properly lubricated; see Lubrication topic of this manual.
- \_\_\_ Wheels are properly and securely attached and Tires are properly inflated.
- \_\_\_ All Decals are in place and securely attached.
- \_\_\_ Serial Number for this unit is recorded in space provided on this page and page 2.

I acknowledge that pre-delivery procedures were performed on this unit as outlined above.

---

**Dealership Name**

---

**Dealer Representative's Name**

---

**Date Checklist Filled-out**

---

**Serial Number**

### DELIVERY

The following Checklist is an important reminder of valuable information that **MUST** be passed on to the Customer at the time the unit is delivered. Check off each item as you explain it to the Customer.

- \_\_\_ Give the Customer his Operator's Manual. Instruct him to be sure to read and completely understand its contents **BEFORE** operating unit.
- \_\_\_ Direct him on how to use the Index of this manual as a quick page number locating guide.
- \_\_\_ Explain and review with him the **SAFETY** chapter of this manual.
- \_\_\_ Explain that regular lubrication is required for continued proper operation and long life. Review with him the Lubrication and Maintenance topics of this manual.
- \_\_\_ Completely fill out the Owner's Registration, including Customer's signature and, return it to the GEHL Company.

I acknowledge that above points were reviewed with me at the time of delivery.

---

**Customer's Signature**

---

**Date Delivered**

**(NOTE: Pages 3 and 4 Have Been Removed At Perforation)**

# CHAPTER 4



## SAFETY



**BEFORE YOU ATTEMPT TO OPERATE THIS EQUIPMENT, READ AND STUDY THE FOLLOWING SAFETY INFORMATION. IN ADDITION, MAKE SURE THAT EVERY INDIVIDUAL WHO OPERATES OR WORKS WITH THIS EQUIPMENT, WHETHER FAMILY MEMBER OR EMPLOYEE, IS FAMILIAR WITH THESE SAFETY PRECAUTIONS.**

GEHL Company always takes the operator and his safety into consideration when designing farm machinery and guards exposed moving parts for his protection; however, some areas cannot be guarded or shielded in order to assure proper operation. In addition, the operator's manual and decals on the machine itself warn you of further danger and should be read and observed closely.

The safety alert symbol above means **ATTENTION! BECOME ALERT! YOUR SAFETY IS INVOLVED!** It stresses an attitude of "HEADS UP" for safety and can be found throughout this operator's manual and on the unit itself.

**Remember: The careful operator is the best operator. Most accidents are caused by human error. Certain precautions must be observed to prevent the possibility of injury or damage.**

Please read the rules listed below for safe operation **BEFORE** you operate this equipment.

Use of the word **CAUTION, WARNING** or **DANGER** herein and on the machine itself signals three degrees of hazard. **CAUTION** is used for general reminders of good safety practices or to direct attention to unsafe practices. **WARNING** is used to denote a specific potential hazard. **DANGER** is used to denote the most serious specific potential hazard.

**Wheel Rake operation is a function of the travel of the tractor; to stop the Rake, stop the tractor!**

**The Operator MUST be seated on the tractor at all times to operate this unit!**

**Clear the area ahead of all spectators and obstacles BEFORE proceeding to operate this unit!**

**ALWAYS wear Safety Glasses with Side Shields when striking metal against metal! In addition, it is recommended that a softer (non-chipable material) be used to cushion the blow. Failure to heed could result in serious injury to the eye(s) or other part(s) of the body!**

**ALWAYS follow state and local regulations regarding safety chains and auxiliary night lighting when towing farm equipment on public highways! Laws vary from state to state and locality to locality; BE SURE to check with local law enforcement agencies for your own particular regulations. ALWAYS lock the unit in "transport" when traveling on a public highway.**

**CAREFULLY inspect ALL Hydraulic Hoses and Connections on a routine basis; NEVER use your hand, escaping fluid under pressure can cause serious injury! If injured by escaping fluid, see doctor at once. Serious infection or reaction can develop if proper medical treatment is NOT administered immediately!**

**Do NOT allow minors to operate or be near the Rake unless properly supervised!**

**Do NOT allow personnel other than a qualified tractor operator near the Rake!**

**Do NOT wear loose or baggy clothing when operating the Rake!**

**Do NOT exceed a maximum travel speed of 20 mph (32 kmh) while towing the unit!**

**Do NOT attempt to clean, adjust or lubricate the unit when any part is in motion!**

**REMEMBER! It is the owner's responsibility for communicating information on the safe use and proper maintenance of this machine!**



# CHAPTER 5

## GENERAL INFORMATION

General Bolt Torque Data in Ft-Lb\*

BOLT SIZE	GRADE					
	8.8		10.9		12.9	
Metric	DRY	LUB.	DRY	LUB.	DRY	LUB.
M6	8	6	11	8	13.5	10
M8	19	14	27	20	32.5	24
M10	37.5	28	53	39	64	47
M12	65	48	91.5	67.5	111.3	82
M14	103.5	76.5	145.5	108	176.5	131
M16	158.5	117.5	223.5	165.5	271	200.5

\*Multiply ft-lb by 1.355 for metric Nm.

The GEHL WR207 Wheel Rake is a trail-behind ground-driven Finger Wheel Rake suitable for windrowing hay, straw, grass, etc. The WR207 features two large

diameter ground Wheels, one adjustable and the other free to pivot. The working width can be adjusted with the aid of the adjustable Wheel. The position of the Rake with respect to the tractor is determined by the drawbar connection to the tractor. Best maneuverability is achieved by coupling the Drawbar directly to the swinging drawbar of the tractor or to an aligning hole in the linkage drawbar.

The most satisfactory method for starting to rake is to start in the middle of the field and then to progress outward in a counterclockwise direction. Finger Wheel pressure on the ground is most important to achieving clean raking. If too much pressure is applied against the ground, unnecessary dirt and trash will be brought into the windrow. Although the Finger Wheel Rake has a considerably large working width, when working in grass or hay, it is recommended that the windrow is made **NO** wider than the pickup capacity of the baler or harvester. In straw or other light crops, the maximum width can be utilized.

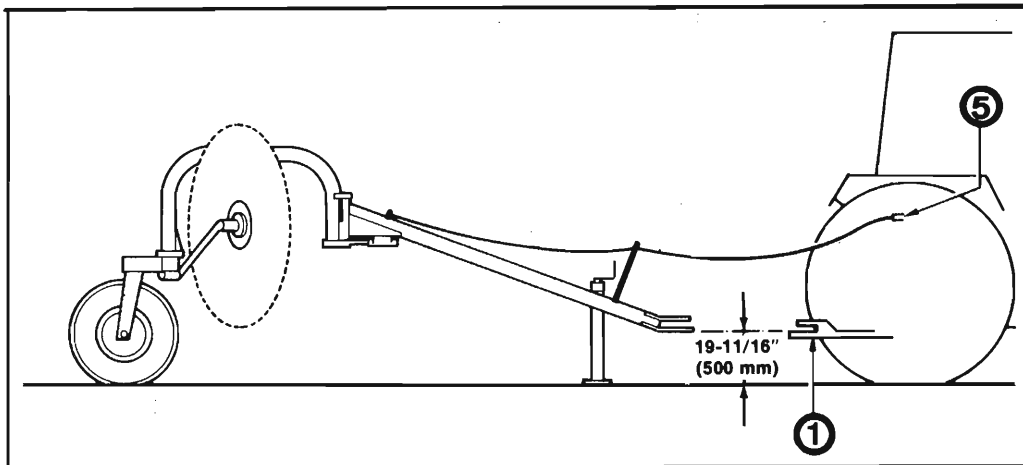


Fig. 1

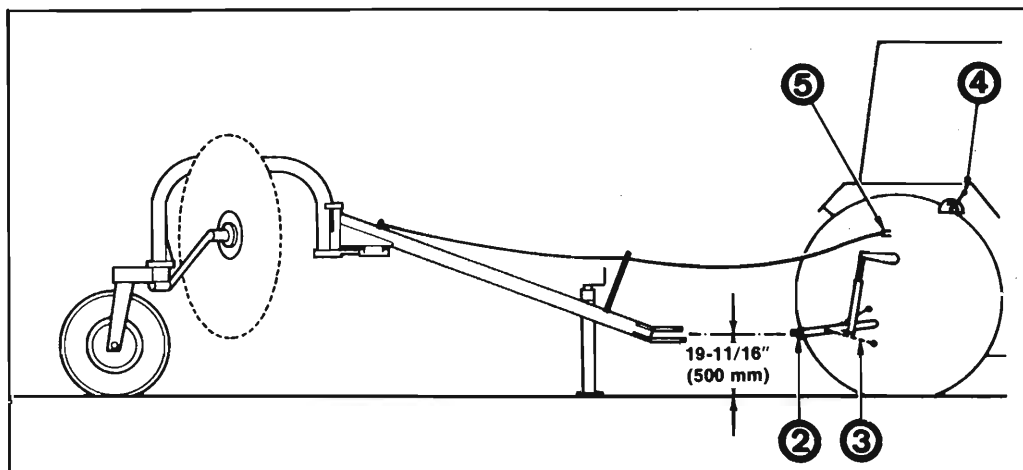


Fig. 2

### MOUNTING TO TRACTOR (Figs. 1 & 2)

It is advisable to attach the WR207 to the swinging drawbar of the tractor at a height of 19-11/16" (500 mm) from the ground (1). For tractors that do **NOT** have a swinging drawbar, the WR207 Drawbar can be hooked onto the linkage drawbar (2), provided it is stabilized from moving sideways (3). Fix the height of the linkage drawbar with the aid of the quadrant of the hydraulic lift (4). Make the Hydraulic Cylinder Hose connections to the remote outlet of the tractor (5).

### MOUNTING FINGER WHEELS (Fig. 3)

Mount the Finger Wheels onto the Wheel Hubs using the six Bolt and Nuts provided (1).

### WHEELS & TIRES (Figs. 4, 5 & 6)

The Adjustable (Steering) Wheel (1) is fitted with a quadrant (2) with four holes for the working position and the transport position settings.

Position "A" is for Transport

Position "B" is for the minimum Working Width

Position "C" is the middle setting for the Working Width

Position "D" is for the maximum Working Width

The Wheel can be positioned by using the Pin and Clips provided.

The Pivoting (Swiveling) Wheel (3) should be adjusted, by means of the M12 Bolt (4) and the Spring, in such a way so that it does **NOT** swing about during transport.

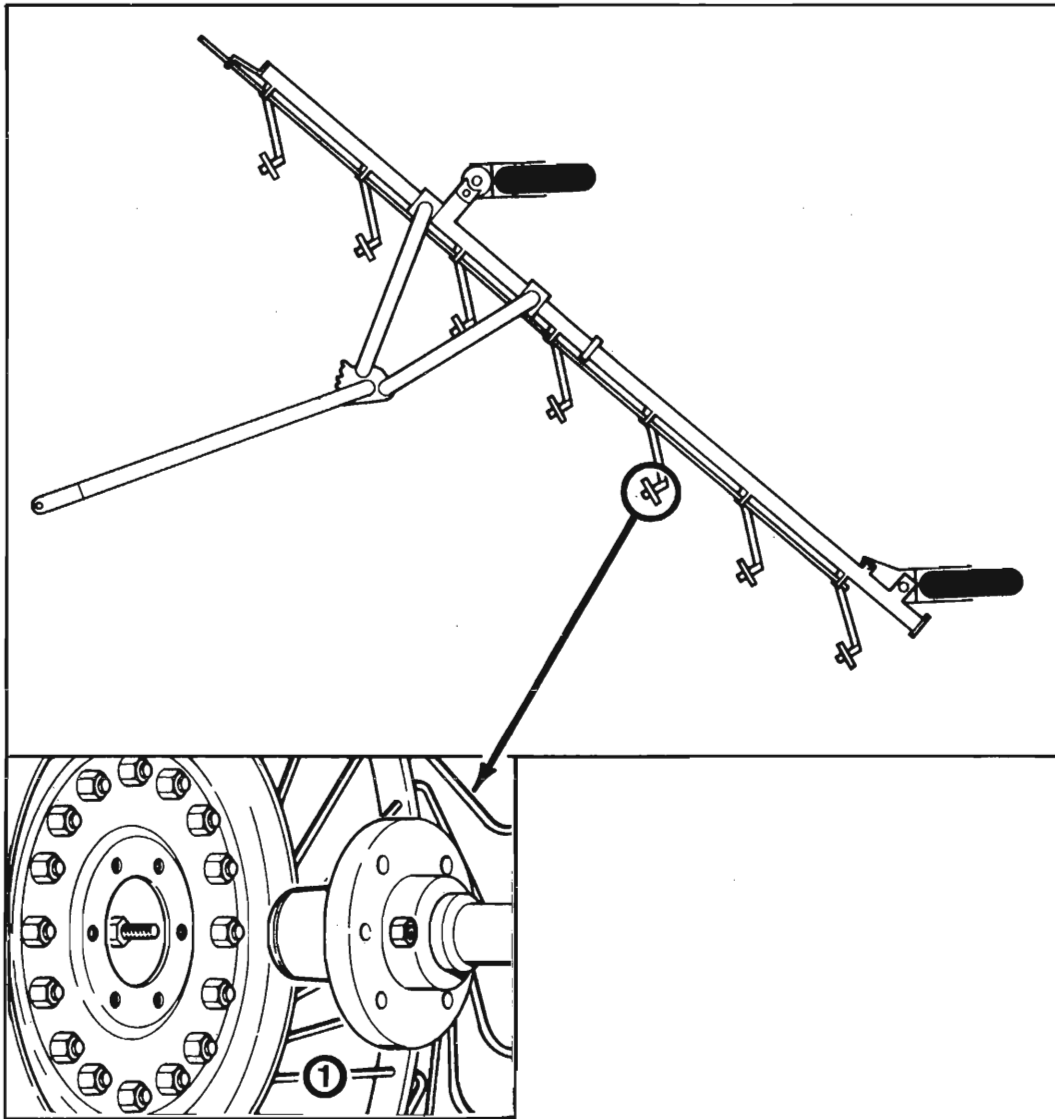


Fig. 3

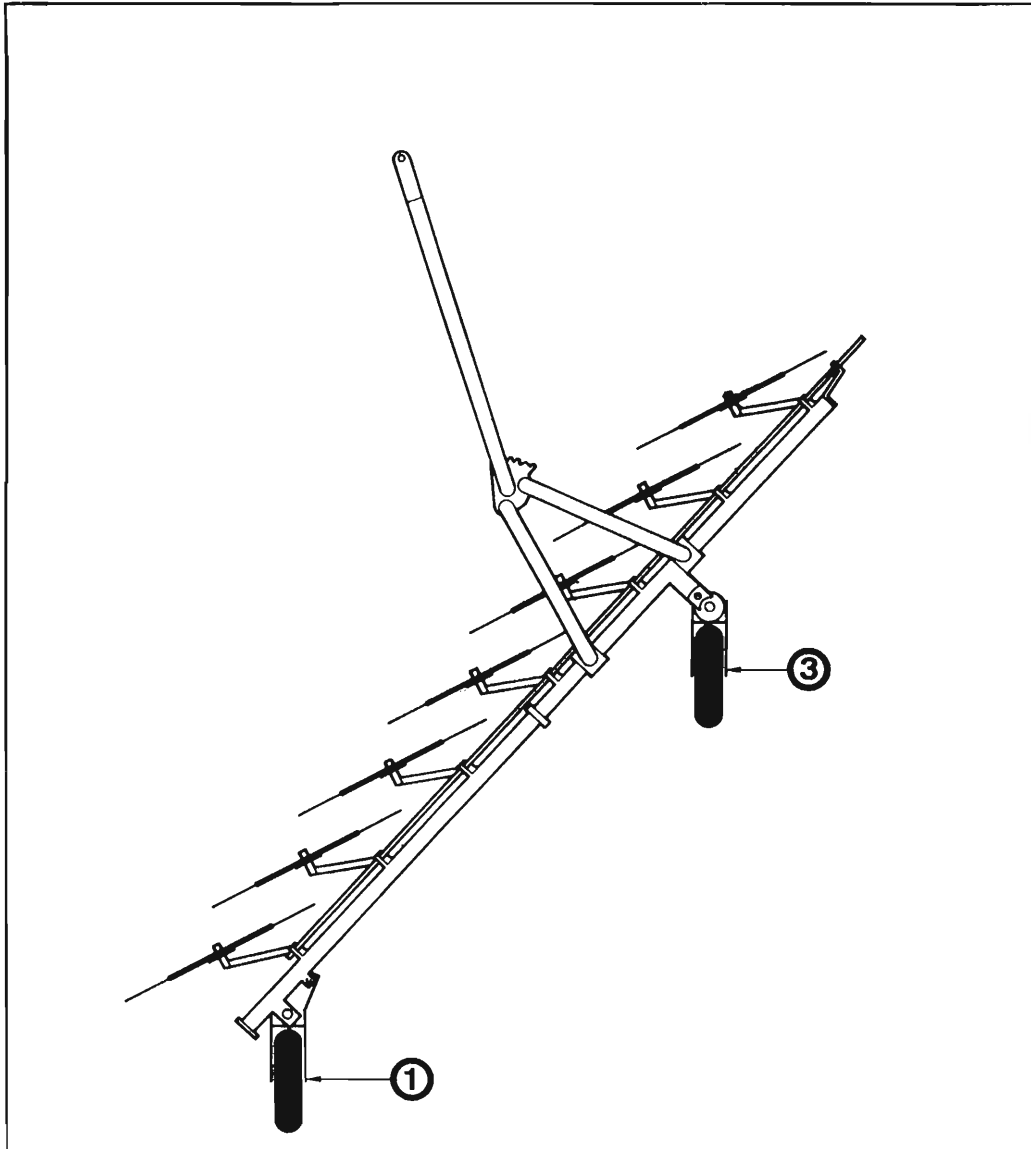


Fig. 4

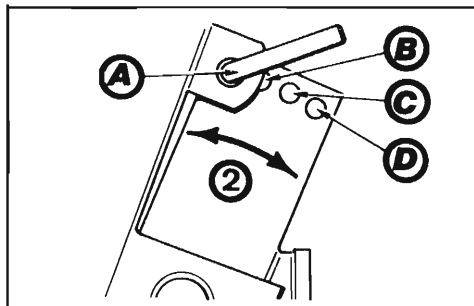


Fig. 5

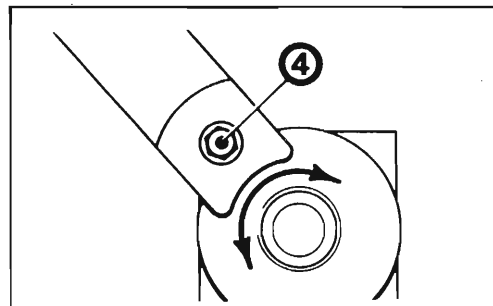
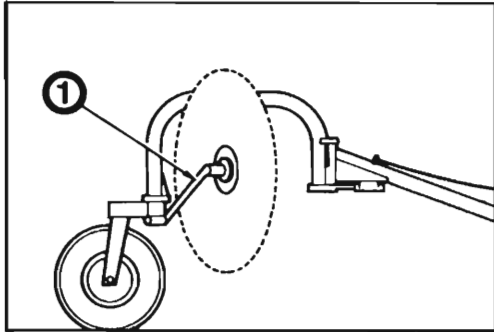


Fig. 6

**ADJUSTING FINGER WHEEL PRESSURE  
(Figs. 7, 8, 9 & 10)**

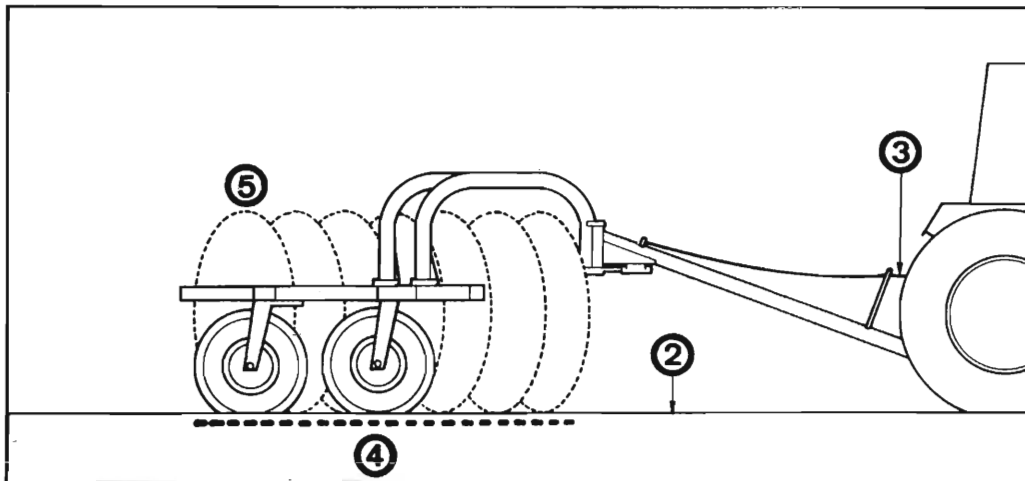
The Finger Wheels are suspended in the Frame with Cranks (1). The Cranks pivot freely.



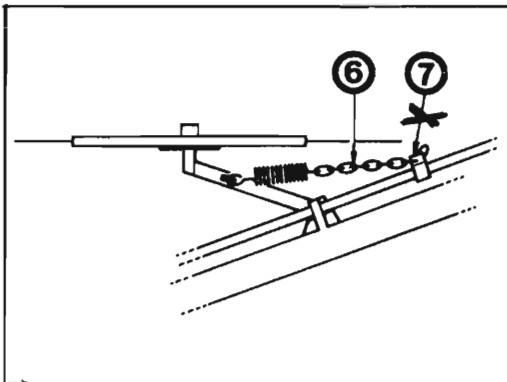
**Fig. 7**

- a. Place the tractor and connected Rake on a flat base (2).
- b. Connect the Hydraulic Hoses between the tractor and Rake (3).
- c. Lower the Finger Wheels until they just touch the ground (4).
- d. Check the ground pressure of each Finger Wheel by lifting it (5).
- e. Adjust the Chain Links (6) to balance all the Finger Wheels evenly. Use only the Chain Links and **NOT** the Brackets (7) onto which each Chain is connected for balancing.

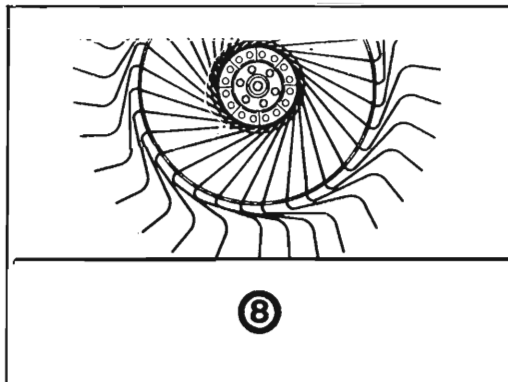
While raking, the ground pressure is correct if the crop is raked away cleanly. Too great a ground pressure will tend to distort the windrow, cause dirt to get into the crop (8) and cause undue Tooth wear.



**Fig. 8**



**Fig. 9**



**Fig. 10**

## WORKING WIDTH (Figs. 11 & 12)

The Working Width is to be set with the Adjustable Wheel (1). The setting of the Rake, with respect to the tractor, is adjusted with the Drawbar (2). It is recommended that the Drawbar be attached to the swing hitch of the tractor. A farther right hole in tractor linkage drawbar can also be used to move the Rake more to the right of the tractor (3).

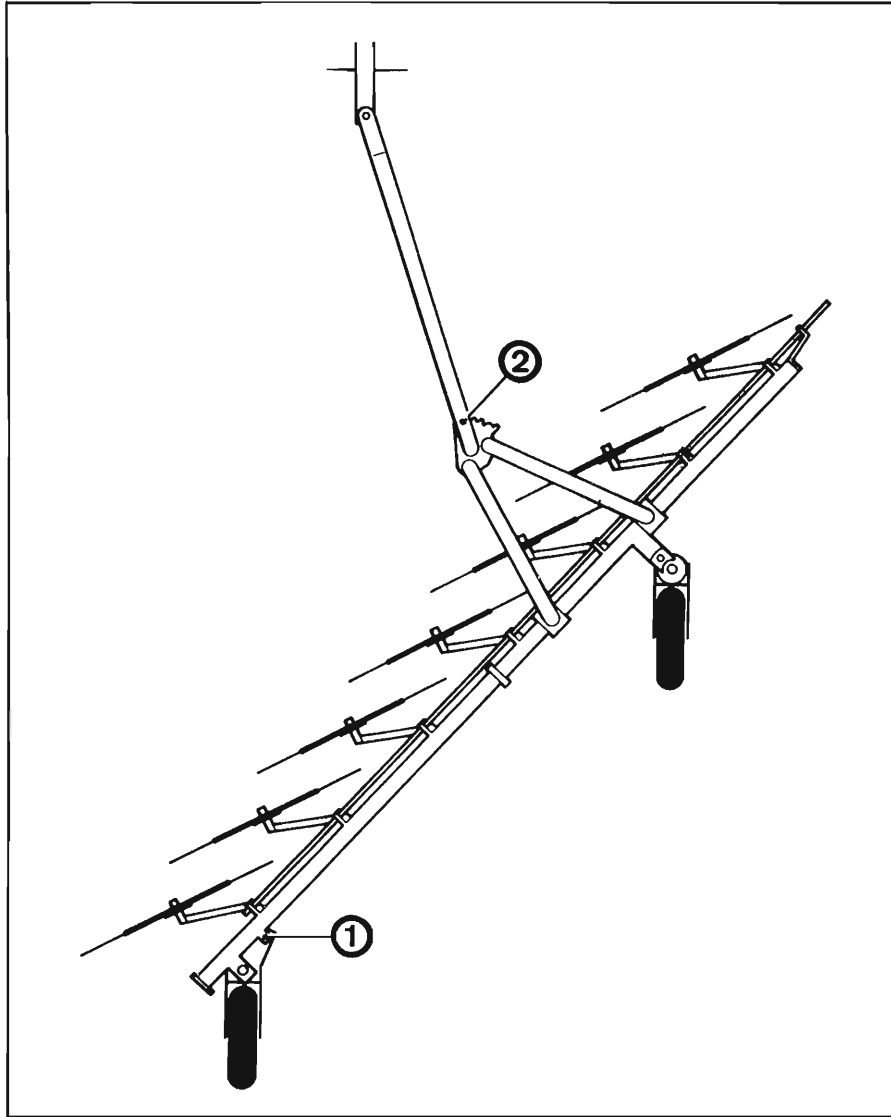


Fig. 11

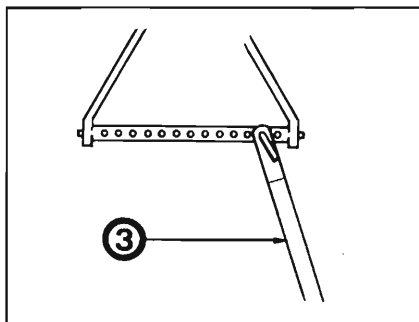
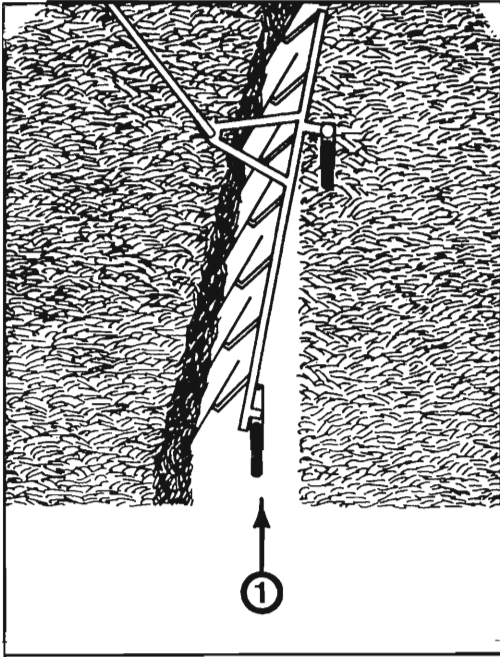


Fig. 12

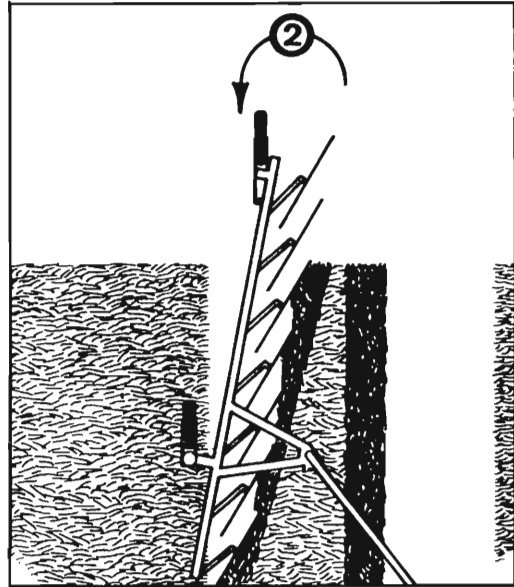
**RAKING (Figs. 13, 14, 15 & 16)**

To rake with the WR207, it is advisable to start in the center of the field and rake in a counterclockwise direction (1). To make the first windrow, place the adjustable Wheel in hole Position "B". After the first pass, use the Hydraulic Cylinder to raise the Finger Wheels, turn

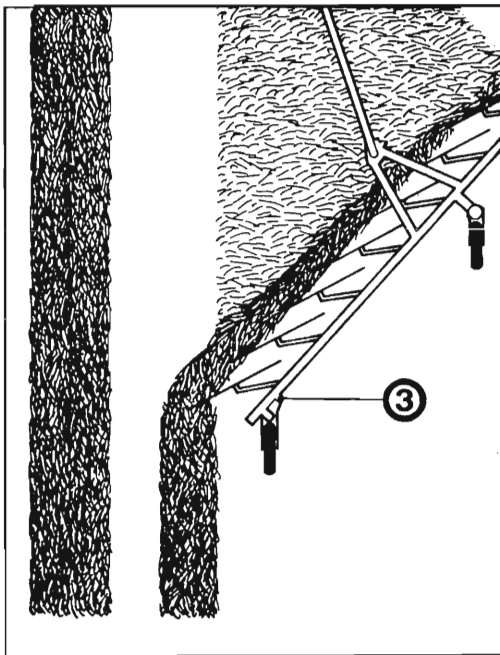
them to the left, lower them again and, rake the second and first windrows into one combined windrow (2). Readjust the Rake to hole Position "C" or "D" (3), to set the Rake Width wider and proceed to rake the rest of the field. At the end, rake the heads of the field transversely.



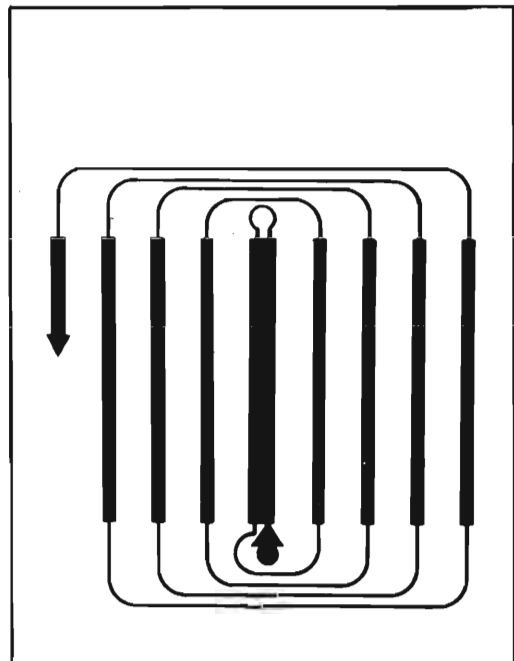
**Fig. 13**



**Fig. 14**



**Fig. 15**



**Fig. 16**

## TRANSPORTING (Figs. 17, 18, 19 & 20)

For transporting the Rake when it is attached to the tractor, first bring the Finger Wheels to the highest setting with the Hydraulic Cylinder (1). Next, move the Adjustable (Steering) Wheel to position "A". **BE SURE** the Parking Stand is folded up (2). Last, move the Drawbar to the narrowest setting (3).

When transporting the Rake on a public highway, install the Cylinder Stop as shown. After transporting, the Cylinder Stop can be stored around the Rake Lift Tube as shown.

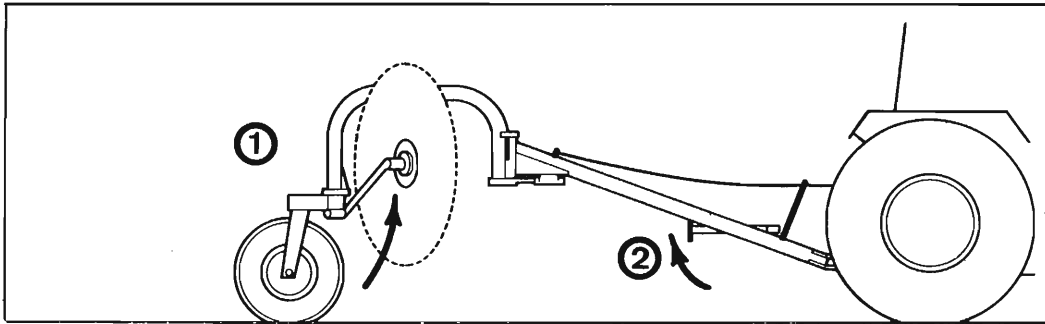


Fig. 17

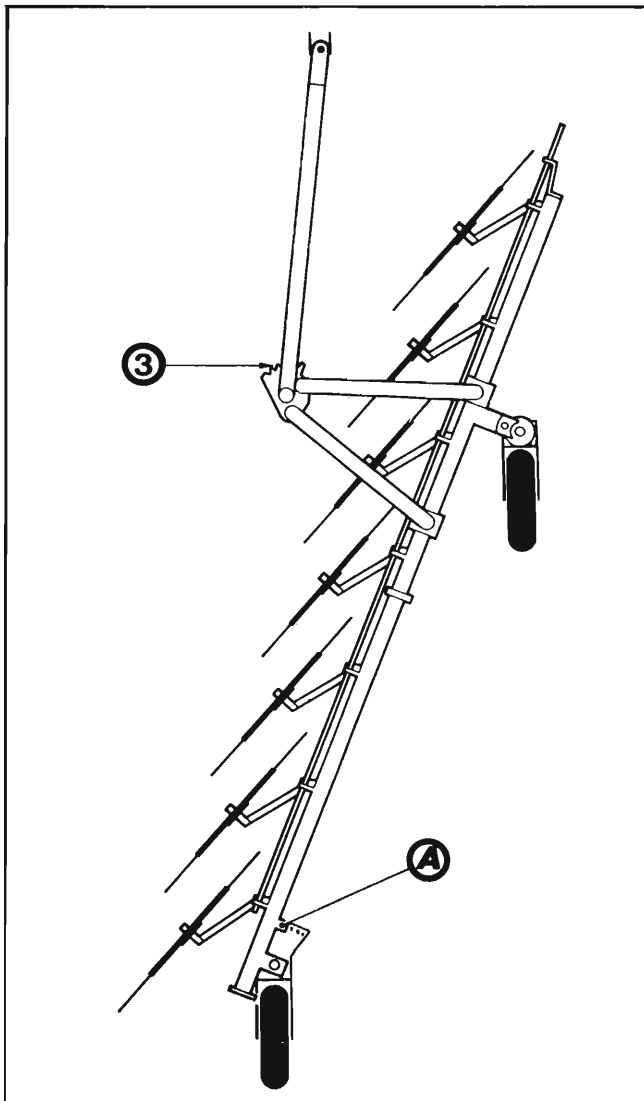


Fig. 18

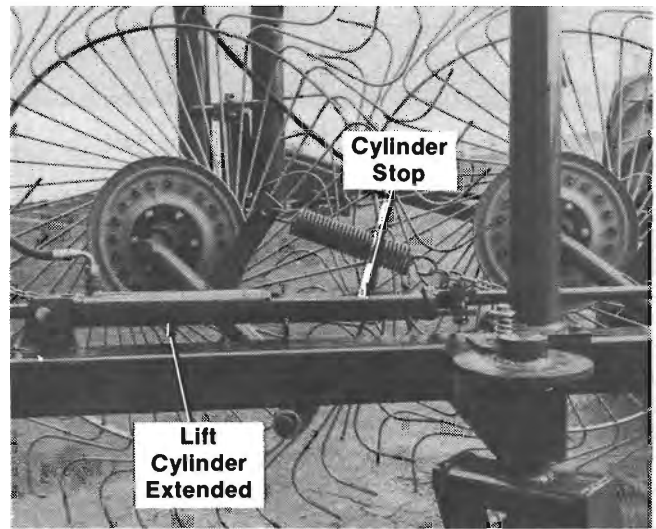


Fig. 19

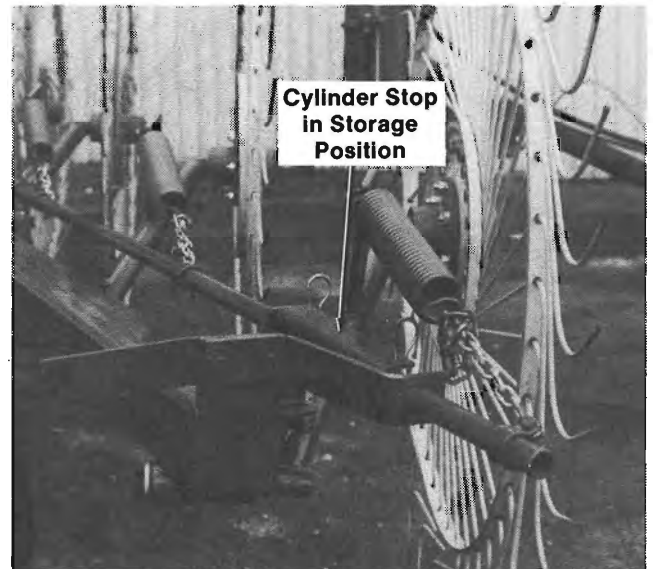


Fig. 20

## ACCESSORY FRAME EXTENSION MOUNTING (Fig. 21)

In the same manner as the other 7 Finger Wheels, attach the 2 accessory Extension Finger Wheels to their Hubs. Properly orient and attach the Frame Extension to the back of the Main Frame with four M16 x 40 Bolts and Nuts. **BE SURE** to, after the first hour of operation, check that the hardware is tightly secured.

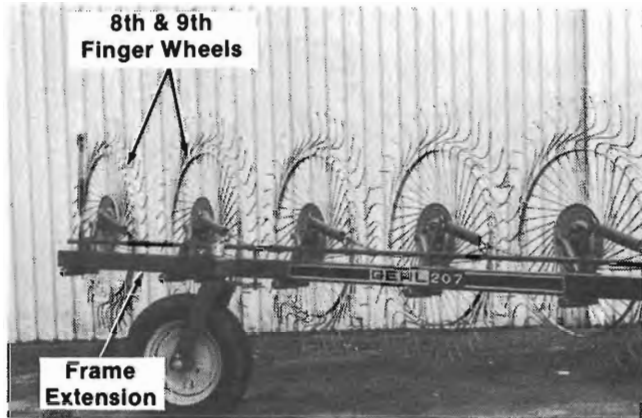


Fig. 21

# MAINTENANCE

## HARDWARE

After the first hour of operation, check all attaching hardware securing the Tines and Bearings.

## LUBRICATION (Fig. 22)

To maintain proper operation, all revolving parts and hinge points **MUST** move smoothly and be kept well lubricated.

Grease the following points at regular 10 hour intervals:

- (2) the Steering Wheel
- (3) the Support Wheel
- (4) the Parking Stand

Oil the following points at regular 10 hour intervals:

- (5) pivot points of the Finger Wheel Cranks
- (6) Control Rods of the Finger Wheel Cranks
- (7) pivot points of the Drawbar
- (8) Drawbar Adjusting Pawl

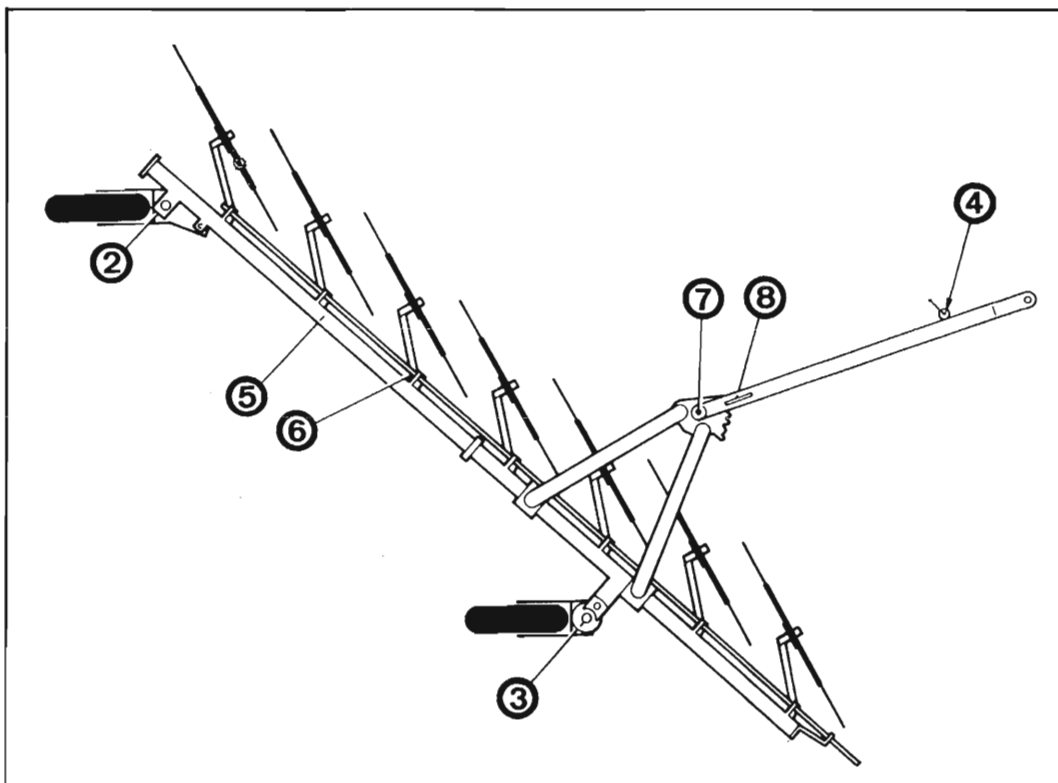


Fig. 22



# CHAPTER 6

## DECAL LOCATIONS

### GENERAL INFORMATION


Decal Locations information is provided to assist in the proper selection and application of new decals, in the event the original decal(s) become damaged or the machine is repainted. Refer to the listing for the illustration reference number, part number, description and quantity of each decal provided in the Kit. Refer to the appropriate illustration(s) for replacement location(s).

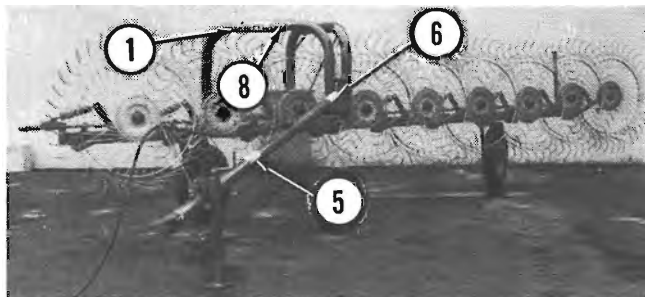
To insure proper selection of the correct replacement decals, compare all of the various closeup location photographs to your machine, before starting to refinish the unit. Then, circle each pictured decal (on or otherwise applicable to your machine) while checking-off its part number in the listing. After you have verified all the decals needed for replacement, place the extra unnecessary decals aside for disposal.

**NOTE:** Always order decals by the set number listed; do NOT order by separate part numbers. For various reasons, your unit may have some Warning decals which have been superseded by more current Warning, Caution or Danger decals. If such is the case, read the information in the decal on your machine and select the new decal from the Kit which expresses the same directives.

### NEW DECAL APPLICATION

Surfaces **MUST** be free from dirt, dust, grease and other foreign material before applying the new Decal. To apply, remove the smaller portion of the decal backing paper and apply this part of the exposed adhesive backing to the clean surface while maintaining proper position and alignment. Peel the other portion of the backing paper off slowly while applying hand pressure to smooth out Decal surface.

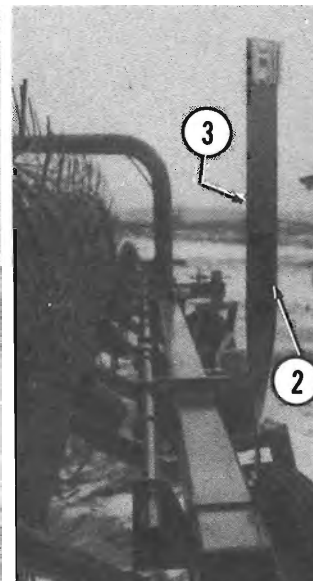
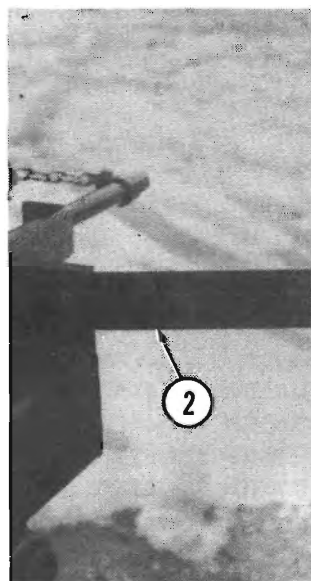
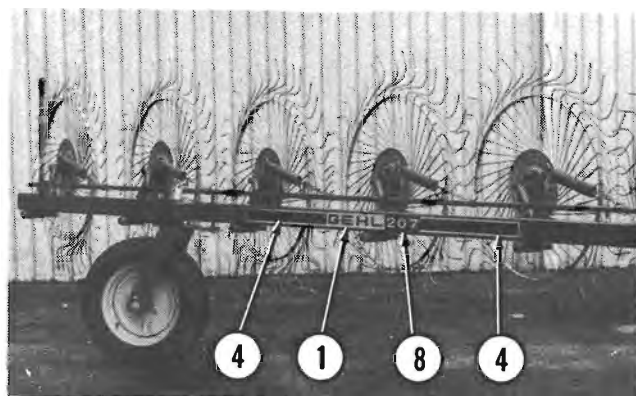
 **CAUTION: Always Observe Safety Rules Shown on Decals. If Decals become damaged, or if unit is repainted, replace Decals. If repainting, BE SURE that all Decals from the Kit(s) which apply to your machine, are affixed to your unit.**



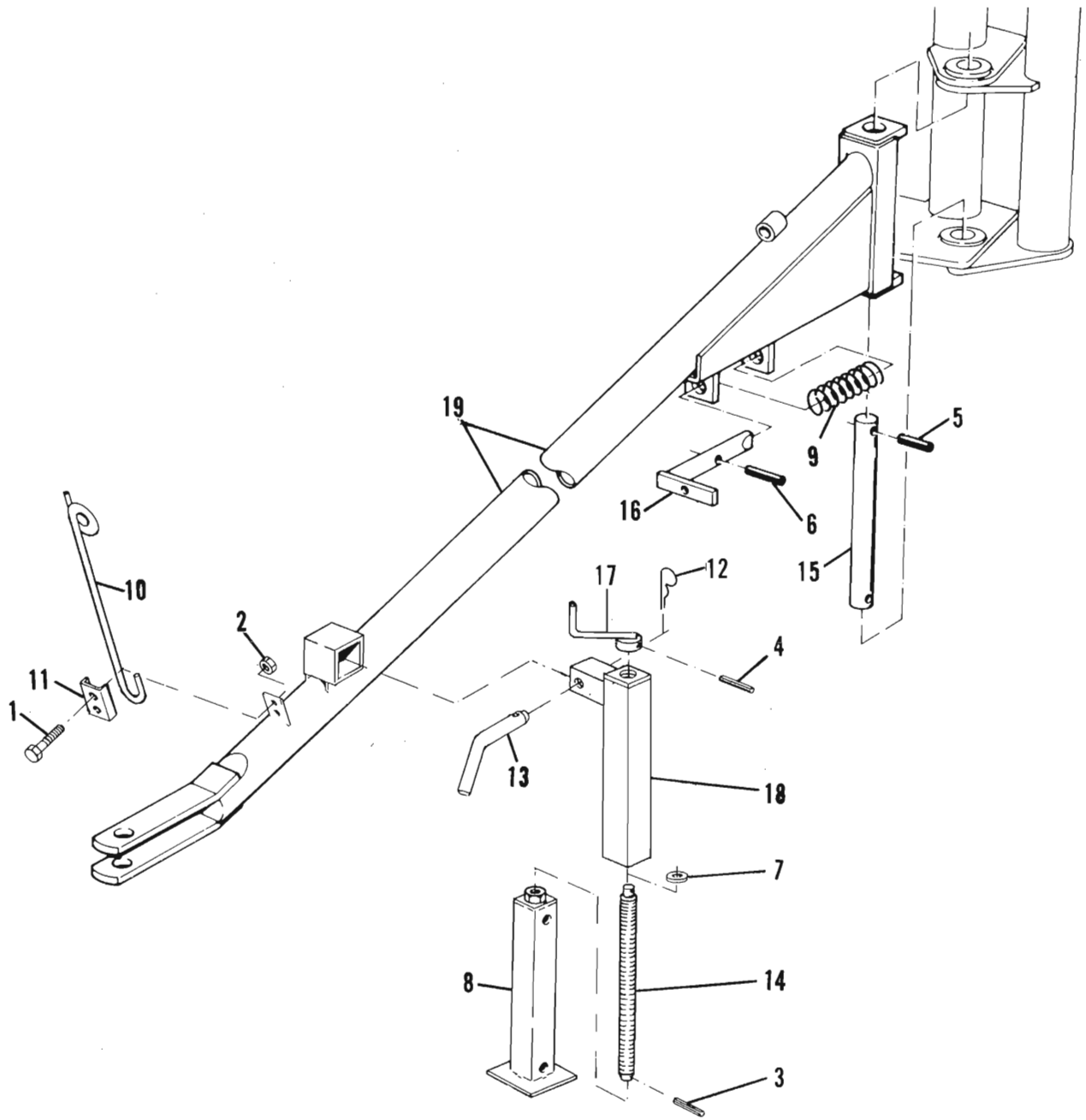
The Decal Kit Number for the WR207 is 080123. The Kit includes the following:

Ref. No.	Part Number	Description & Quantity
1	061201	Decal - GEHL (2 Places)
2	067493	Red Reflector (2 Places)
3	067926	Amber Reflector
4	075763	Decal - Decorative Stripe (2 Places)
5	076894	CAUTION - Operator's Responsibility & Manual
6	077682	CAUTION - General Safety Precautions
7	079957*	Serial Number Plate - Not Shown
8	079963	Decal - 207 (2 Plates)

\*Replacement **NOT** necessary.

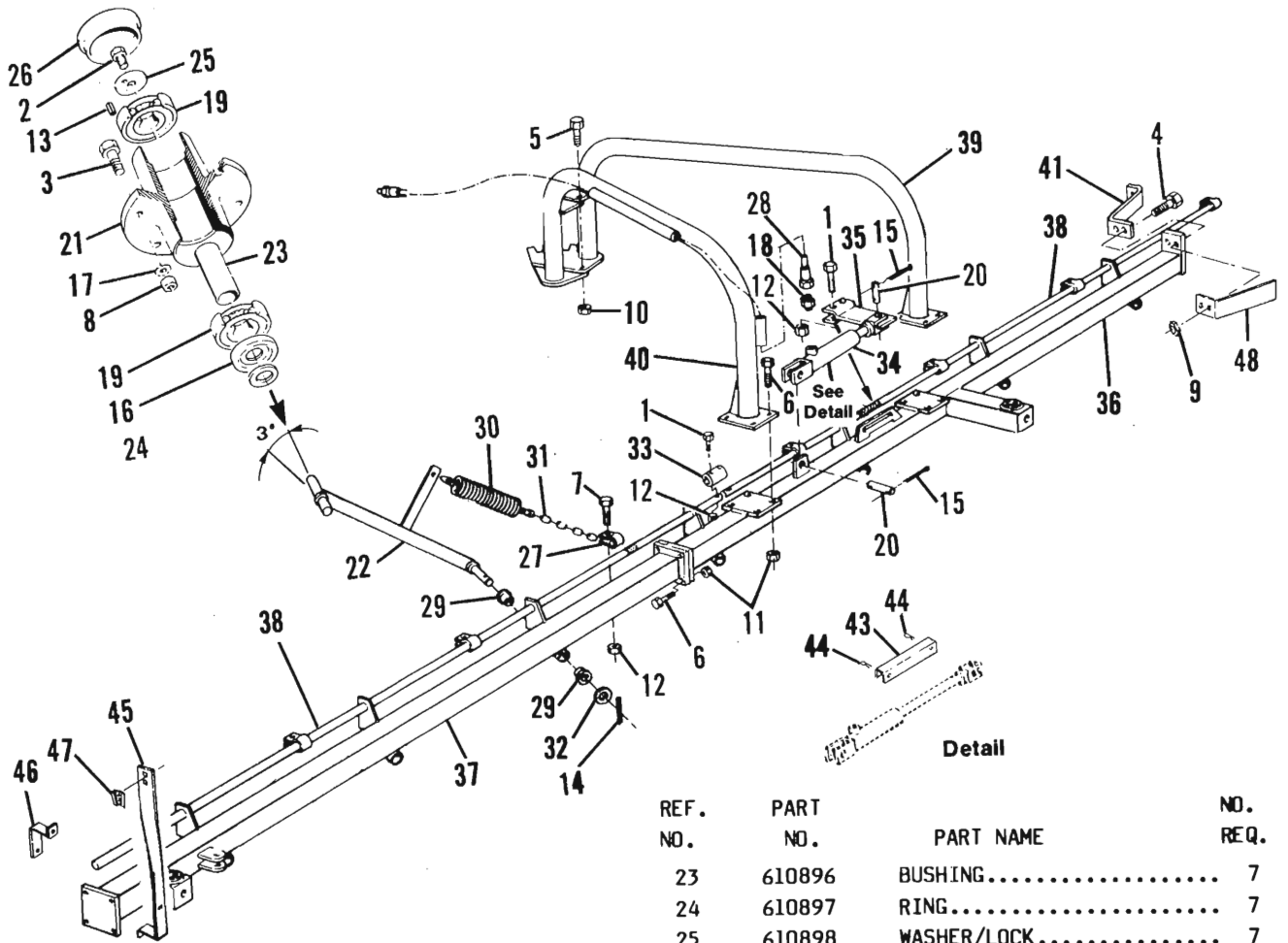


# WR207 - DRAWBAR (TONGUE) & HITCHJACK



REF. NO.	PART NO.	PART NAME	NO. REQ.	REF. NO.	PART NO.	PART NAME	NO. REQ.
01	656009	BOLT 8.8/M10X35.....	2	11	604790	CLAMP/HOSE SUPPORT.....	1
02	656049	8/M10N.....	2	12	604630	PIN/HAIRPIN COTTER.....	1
03	610463	SPRING TENSION PIN 6X30...	1	13	604994	PIN/LOCK.....	1
04	610466	SPRING TENSION PIN 6X45...	1	14	612691	SCREW/JACK.....	1
05	610474	SPRING TENSION PIN 8X40...	2	15	612692	PIN/PIVOT.....	1
06	610475	SPRING TENSION PIN 8X50...	1	16	612693	PIN/LATCHING.....	1
07	610486	WASHER 17.....	1	17	612694	CRANK/JACK.....	1
08	612689	JACK-INSIDE TUBE.....	1	18	612695	JACK-OUTSIDE TUBE.....	1
09	612690	SPRING.....	1	19	612696	DRAWBAR.....	1
10	604780	SUPPORT/HOSE.....	1				

# WR207 - MAIN FRAME



REF. NO.	PART NO.	PART NAME	NO. REQ.
01	656004	BOLT 8.8/M8X55.....	4
02	656006	BOLT 8.8/M10X20.....	7
03	656008	BOLT 8.8/M10X30.....	42
04	656009	BOLT 8.8/M10X35.....	2
05	656113	BOLT 8.8/M14X40.....	3
06	656112	BOLT 8.8/M16X40.....	18
07	656002	BOLT 8.8/M8X35.....	7
08	656049	8/M10N.....	42
09	071246	8/M10N.....	2
10	071248	8/M14N.....	3
11	656060	8/M16N.....	18
12	071245	8/M8N.....	11
13	610886	SPRING TENSION PIN 5X16...	7
14	610475	SPRING TENSION PIN 8X50...	7
15	610461	SPRING TENSION PIN 5X40...	4
16	610887	CAP/DUST.....	7
17	610489	WASHER A10, 5.....	42
18	604634	CONNECTOR G3/8X3/8.....	1
19	520105	CONE/BEARING.....	14
20	612737	PIN/CYLINDER ANCHOR.....	2
21	610895	HOUSING/BEARING.....	7
22	612736	CARRIER/FINGER WHEEL.....	7

REF. NO.	PART NO.	PART NAME	NO. REQ.
23	610896	BUSHING.....	7
24	610897	RING.....	7
25	610898	WASHER/LOCK.....	7
26	610899	CAP/HUB.....	7
27	612697	CLAMP.....	7
28	612698	HOSE/HYDRAULIC.....	1
29	612699	BUSHING/PIVOT.....	14
30	612700	SPRING/EXTENSION.....	7
31	612701	CHAIN.....	7
32	612702	WASHER.....	7
33	612704	COUPLER.....	1
34	612706	CYLINDER/HYDRAULIC.....	1
35	612707	CLAMP/CYLINDER.....	1
36	612708	FRAME/FRONT.....	1
37	612709	FRAME/REAR.....	1
38	612710	ROD/LIFT.....	2
39	612711	SUPPORT/FRAME FRONT.....	1
40	612712	SUPPORT/FRAME REAR.....	1
41	612713	BRACKET/ROD SUPPORT.....	1
42	612714	KIT/CYLINDER SEAL.....	1
43	080036	STOP.....	1
44	9H 300	PIN/HAIRPIN COTTER.....	2
45	080034	SMV BRACKET.....	1
	650687	CB 5/16X3/4 (LN).....	2
46	080033	BRACKET/MOUNTING.....	1
47	047269	SOCKET/SMV EMBLEM.....	1
	650687	CB 5/16X3/4 (LN).....	2
48	080035	BRACKET/MOUNTING REFLECTOR	1

## NOTES



---

**GEHL**®

---

**FARM EQUIPMENT**

**GEHL COMPANY WEST BEND, WISCONSIN 53095 U.S.A.**