

BEFCO

Parts Manual

RHD

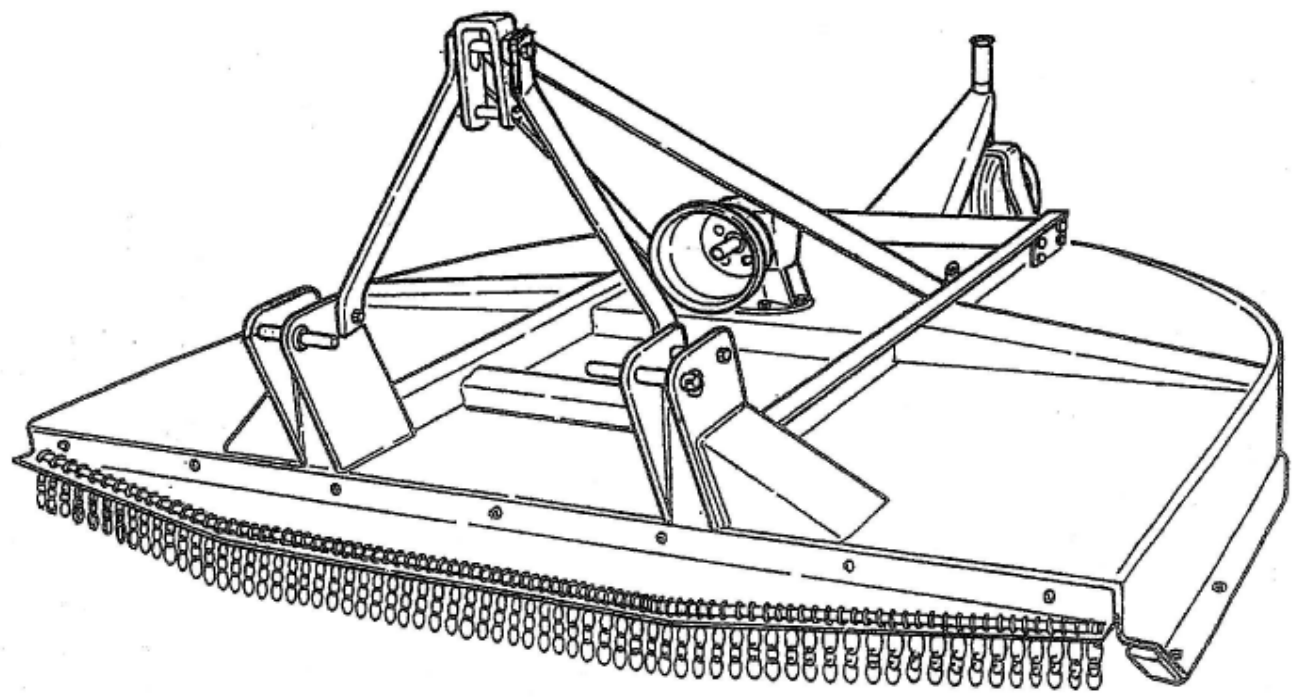
Tornado Rotary Cutter

▶ Frame

▶ Gearbox

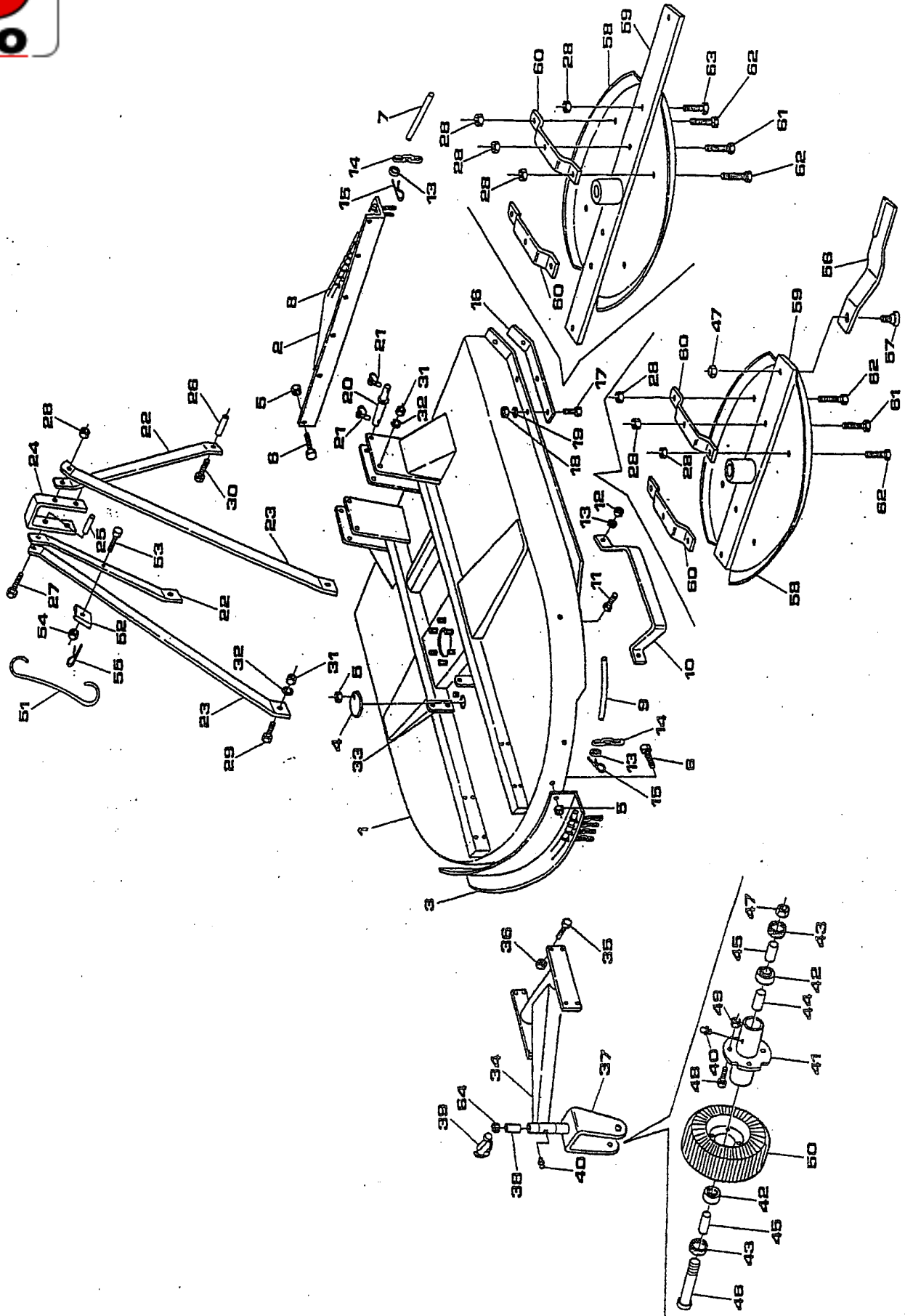
▶ 540 rpm Driveline

▶ 1000 rpm Driveline





TORNADO RHD FRAME



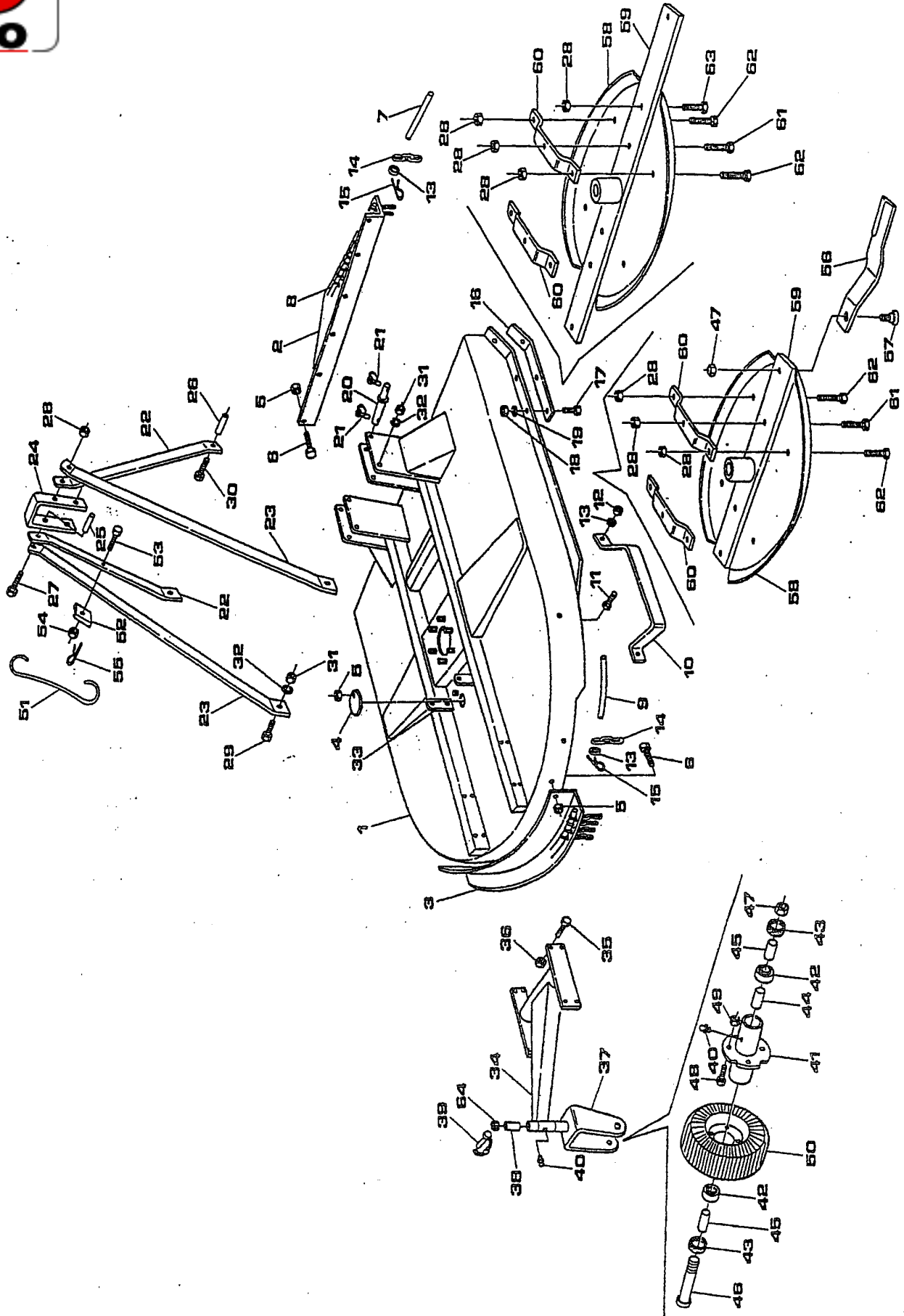


TORNADO RHD
FRAME

ITEM #	BEFCO PART #	DESCRIPTION	QTY.
1	018-5000	FRAME 72"	1
	028-5000	FRAME 84"	1
2	018-5008	FRONT PROTECTION 72"1	
	028-5008	FRONT PROTECTION 84"1	
3	018-5012	REAR PROTECTION 72"	1
	028-5012	REAR PROTECTION 84"	1
4	000-5512	COVER	1
5	003-0156	NUT M10	1
6	000-6349	BOLT 10 X 20	11
7	008-5022	SHORT CHAIN ROD 72"	1
	008-5027	SHORT CHAIN ROD 84"	1
8	008-5023	LONG CHAIN ROD 72"	1
	008-5028	LONG CHAIN ROD 84"	1
9	008-5024	CHAIN ROD 72"	1
	008-5029	CHAIN ROD 84"	1
10	018-5031	REAR PROTECTION 72"	2
	028-5031	REAR PROTECTION 84"	2
11	001-5255	BOLT 12 X 30	4
12	000-3038	NUT M12	4
13	000-1077	SPRING WASHER	7
14	004-4158	CHAIN	-
15	004-4156	COTTER PIN 4X25	3
16	008-5039	SIDE SKID	2
17	004-4023	BOLT TSPEI 12X30	6
18	000-1106	NUT M12	6
19	000-2265	FLAT WASHER M12	6
20	008-5046	HITCH PIN	2
21	001-8266	LYNCH PIN	2
22	008-5051	TOP HITCH SUPPORT	2
23	008-5052	TOP HITCH ARM 72"	2
	008-5053	TOP HICH ARM 84"	2
24	008-5055	UPPER PLATE	1
25	008-5057	SPACER	1
26	008-5059	SPACER 95	2
	008-5060	SPACER 70	2
27	005-5447	BOLT 16 X 170	1
28	000-5581	NUT M16	9
29	007-0346	BOLT 16 X 110	2
30	007-0352	BOLT 16 X 130	2
31	000-2366	NUT M16	4
32	000-2367	SPRING WASHER M16	4
33	008-5072	LIFT PLATE	2



TORNADO RHD
FRAME



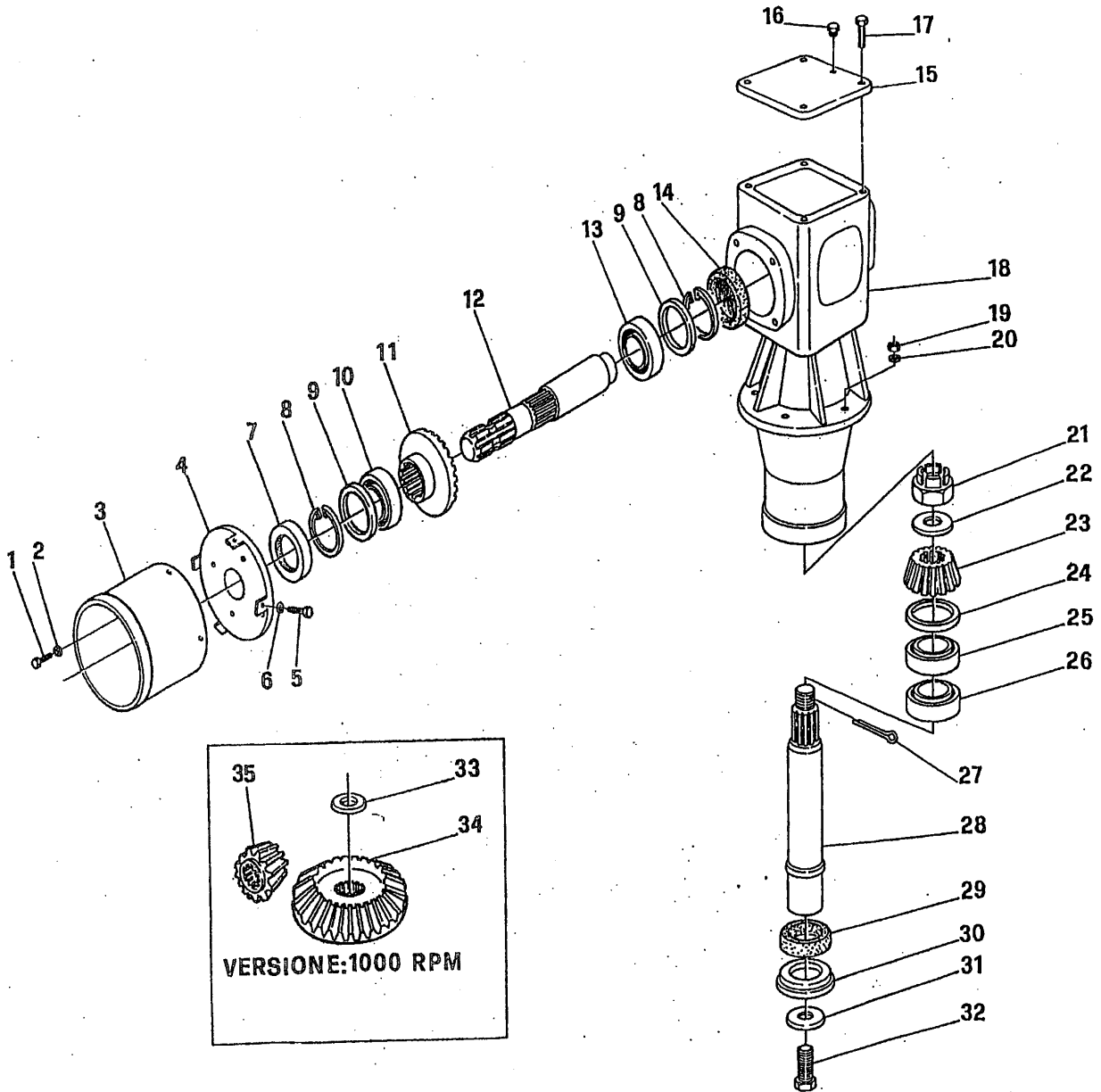


TORNADO RHD
FRAME

ITEM #	BEFCO PART #	DESCRIPTION	QTY.
34	008-5082	WHEEL SUPPORT	1
35	003-0285	BOLT 14 X 100	8
36	003-0358	NUT M14	8
37	008-5094	WHEEL YOKE	1
38	008-5102	SPACER	6
39	001-1333	COTTER PIN M10 X 70	1
40	000-1065	GREASE FITTING	2
41	008-5122	WHEEL HUB	1
42	004-1422	BEARING 6206	2
43	008-5129	OIL-SEAL 40.62.10	2
44	008-5132	INNER SPACER	1
45	008-5133	OUTER SPACER	2
46	008-5134	WHEEL SHAFT	1
47	000-5570	LOCKING NUT M27	3
48	000-7255	BOLT 12 X 35	4
49	003-0064	NUT M12	4
50	008-5140	WHEEL	1
51	005-2872	DRIVELINE HOOK	1
52	002-2435	HOOK SUPPORT	1
53	001-5012	BOLT 8 X 20	1
54	000-1806	NUT M8	1
55	005-4422	COTTER PIN M2	1
56	008-5152	BLADE	2
57	008-5154	BOLT	2
58	008-5160	ROTOR PROTECTION	1
59	018-5162	ROTOR BLADE HOLDER 72"	1
	028-5162	ROTOR BLADE HOLDER 84"	1
60	008-5142	FIXING PLATE	2
61	007-3513	BOLT 16 X 60	2
62	008-5168	BOLT 16 X 30	4
63	000-2365	BOLT 16 X 50	2
64	000-6685	SPACER WASHER	-



TORNADO RHD
GEARBOX

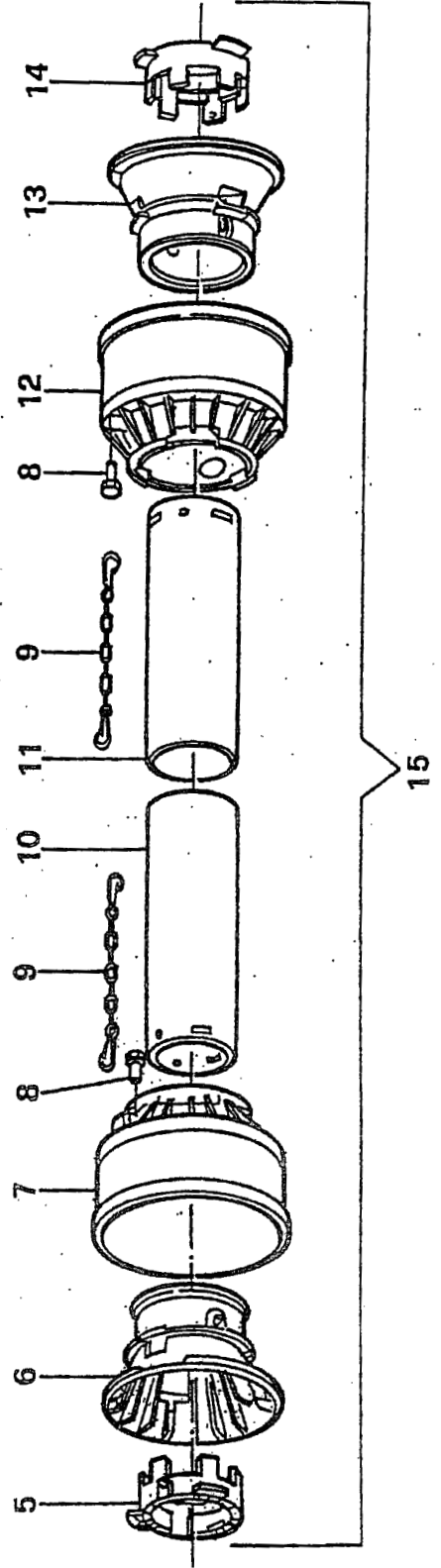
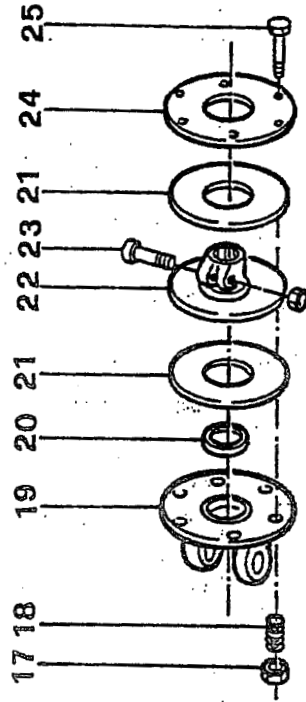
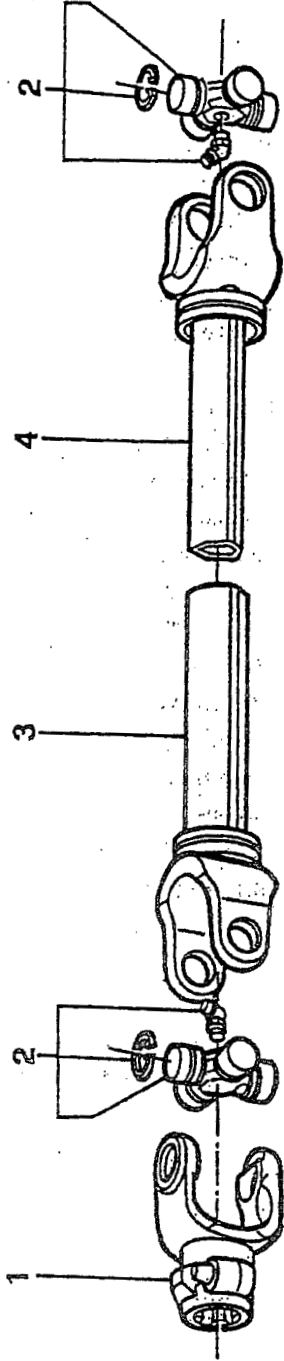




TORNADO RHD
GEARBOX

ITEM #	BEFCO PART #	DESCRIPTION	QTY.
1	004-6454	BOLT 8 X 16	4
2	003-0157	FLAT WASHER M10	4
3	001-1207	SHAFT PROTECTION	1
4	001-1201	PROTECTION SUPPORT	1
5	001-1210	BOLT 6 X 12	4
6	001-1209	FLAT WASHER M6	4
7	003-0211	OIL-SEAL 35.72.10	1
8	002-5329	INNER SNAP RING M72	2
9	008-5182	ADJUSTMENT SPACER	2
10	008-5187	BEARING 30207 CLS	1
11	008-5191	RING GEAR	1
12	008-5188	INPUT SHAFT	1
13	008-5174	BEARING 6207 CLS	1
14	008-5176	OIL-SEAL	1
15	008-5193	FLAT COVER	1
16	008-5173	CAP 3/8 GAS	1
17	000-3143	BOLT 8 X 16	4
18	008-5190	GEARBOX	1
19	008-5169	NUT M16	6
20	000-2367	SPRING WASHER M16	6
21	008-5178	HEXAGONAL NUT	1
22	008-5195	ADJUSTMENT SPACER	1
23	008-5179	PINION GEAR	1
24	008-5180	ADJUSTMENT SPACER	1
25	008-5184	BEARING 30208 CLS	1
26	008-5186	BEARING 30209 CLS	1
27	005-5177	COTTER PIN M 4 X 55	1
28	008-5185	SHAFT	1
29	008-5183	OIL SEAL 50.90.10	1
30	008-5181	PROTECTIVE COVER	1
31	008-5197	WASHER	1
32	008-5198	BOLT 20 X 50	1
33	008-5199	WASHER 1000 RPM	1
34	008-5200	RING GEAR 1000 RPM	1
35	018-5179	PINION GEAR 1000 RPM	1
	050-0622	GEARBOX 540 RPM	
	050-0623	GEARBOX 1000 RPM	

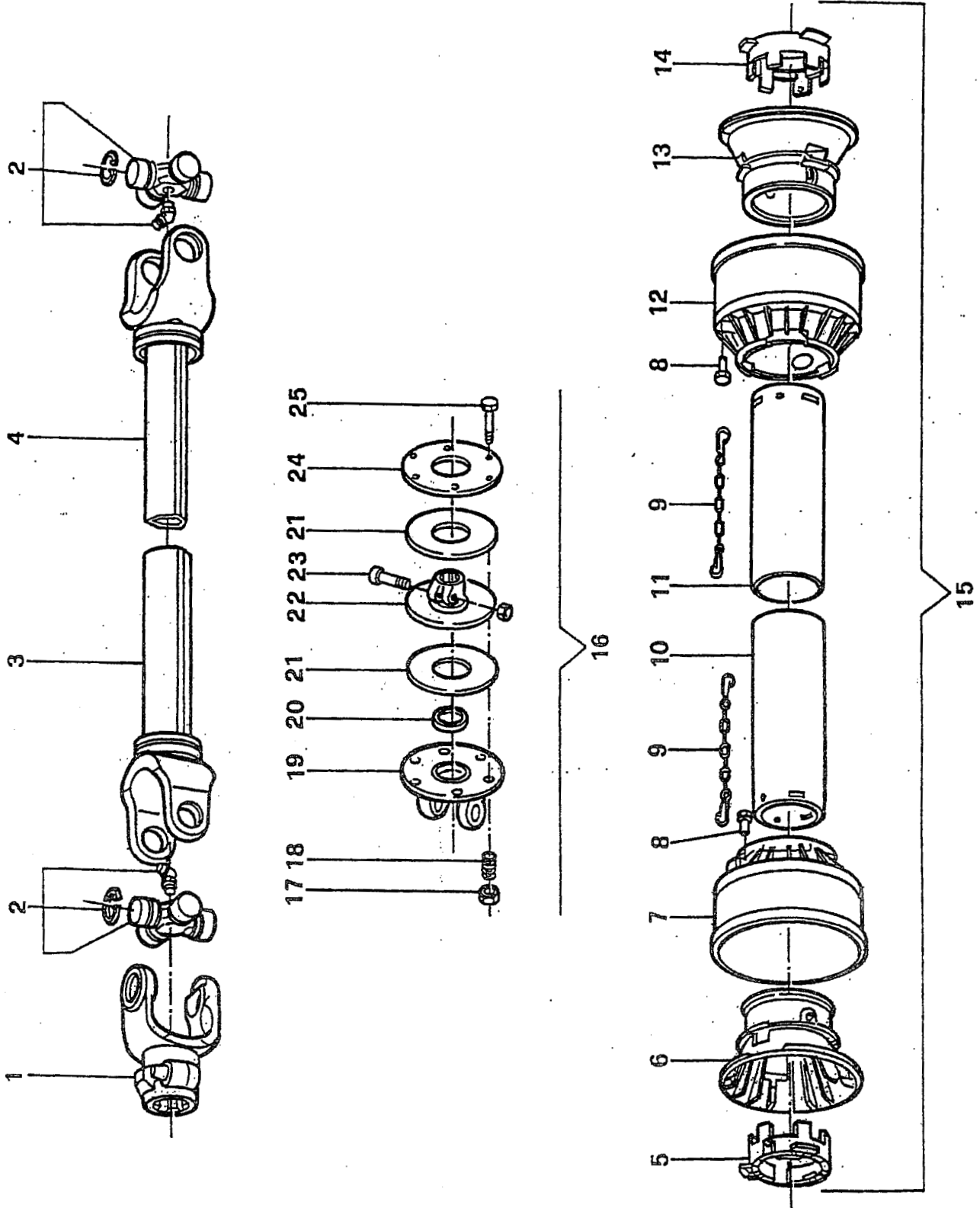
TORNADO RHD PTO SHAFT





TORNADO RHD
PTO SHAFT

ITEM #	BEFCO PART #	DESCRIPTION	QTY.
1	026-001E	PTO YOKE	1
2	016-130E	CROSS&BEARING	2
3	1706027C	FEMALE YOKE	1
4	003-2204	ROLL PIN 10 X 80	1
5	160-212E	FEMALE SHAFT	1
6	160-112E	MALE SHAFT	1
7	000-016E	ROLL PIN 10X 70	1
8	1706029C	MALE YOKE	1
9	001-4106	LOCKING NUT M10	8
10	014-022E	SPRING	8
11	1706005C	YOKE SLIP CLUTCH	1
12	1705009C	BUSHING	1
13	1805010C	FRICITION DISC	2
14	1705005C	BODY SLIP CLUTCH	1
15	6761270C	BOLT AND NUT 12 X 70	2
16	1135008C	OUTER FLANGE	1
17	1135007C	OUTER CONE	1
18	001-5236	BOLT 10 X 80	8
19	1346018C	COMPLETE SLIP CLUTCH	1
20	1786009C	OUTER LOCKING RING	1
21	1786010C	OUTER TUBE RIGID CONE	1
22	1786013C	OUTER CONE	1
23	1775073C	FEMALE TUBE SHIELD	1
24	016-025E	CHAIN	2
25	1874073C	MALE TUBE SHIELD	1
26	1786012C	INNER CONE	1
27	1786011C	INNER TUBE RIGID CONE	1
28	1786008C	INNER LOCKING RING	1
29	90SC6073C	COMPLETE SHIELDING	1
	050-0458	PTO SHAFT	





TORNADO RHD
1000 RPM

ITEM #	BEFCO PART #	DESCRIPTION	QTY.
1	1026015C	PTO YOKE	1
2	016-130E	CROSS & BEARING	2
3	1706027C	FEMALE YOKE	1
4	003-2204	ROLL PIN 10 X 80	1
5	160-212E	FEMALE SHAFT	1
6	160-112E	MALE SHAFT	1
7	000-016E	ROLL PIN 10 X 70	1
8	1706029C	MALE YOKE	1
9	001-4106	LOCKING NUT M10	8
10	014-022E	SPRING	8
11	1706005C	YOKE SLIP CLUTCH	1
12	1705009C	BUSHING	1
13	1805010C	FRICTION DISC	2
14	1705005C	BODY SLIP CLUTCH	1
15	6761207C	BOLT AND NUT 12 X 70	2
16	1135008C	OUTER FLANGE	1
17	1135070C	OUTER CONE	1
18	001-5236	BOLT 10 X 80	8
19	1346018C	COMPLETE SLIP CLUTCH	1
20	1786009C	OUTER LOCKING RING	1
21	1786010C	OUTER TUBE RIGID CONE	1
22	1786013C	OUTER CONE	1
23	1775073C	FEMALE SHIELD	1
24	016-025E	CHAIN	2
25	1874073C	MALE SHIELD	1
26	1786012C	INNER CONE	1
27	1786011C	INNER TUBE RIGID CONE	1
28	1748600C	INNER LOCKING RING	1
29	90SC6073C	COMPLETE SHIELDING	1
	050-0460	PTO SHAFT	