

BEFCO

Parts Manual

DRO-330, DRP-330, DRP-480 Standard Tedders

▶ 330 Frame

▶ Driveline

▶ 480 Htich

▶ 330 Htiches

▶ 480 Left Section

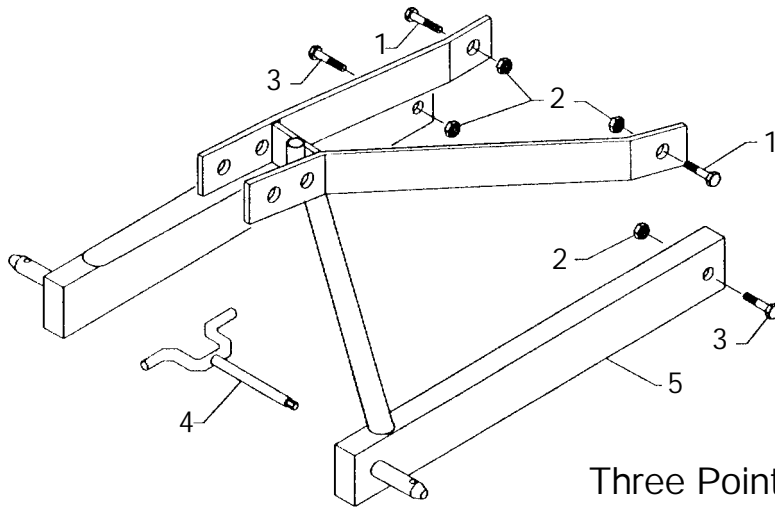
▶ 480 Center Section

▶ 480 Right Section

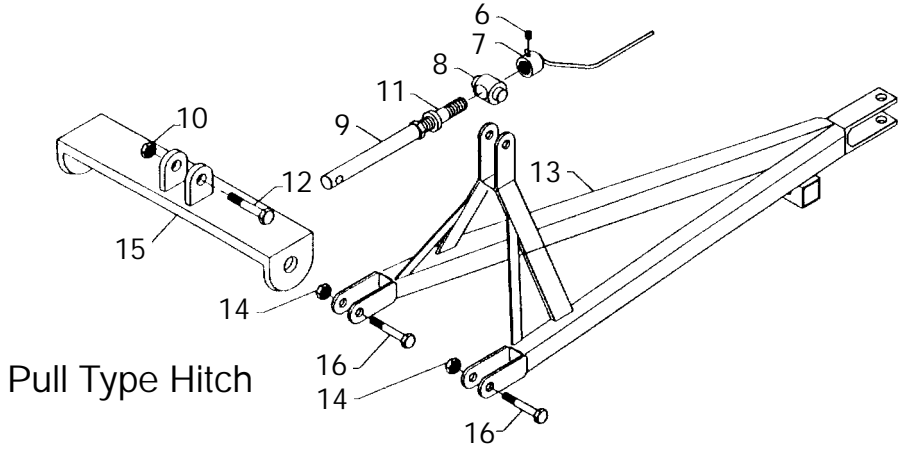




14 - (DRO, DRP) - 330
HITCHES



Three Point Hitch



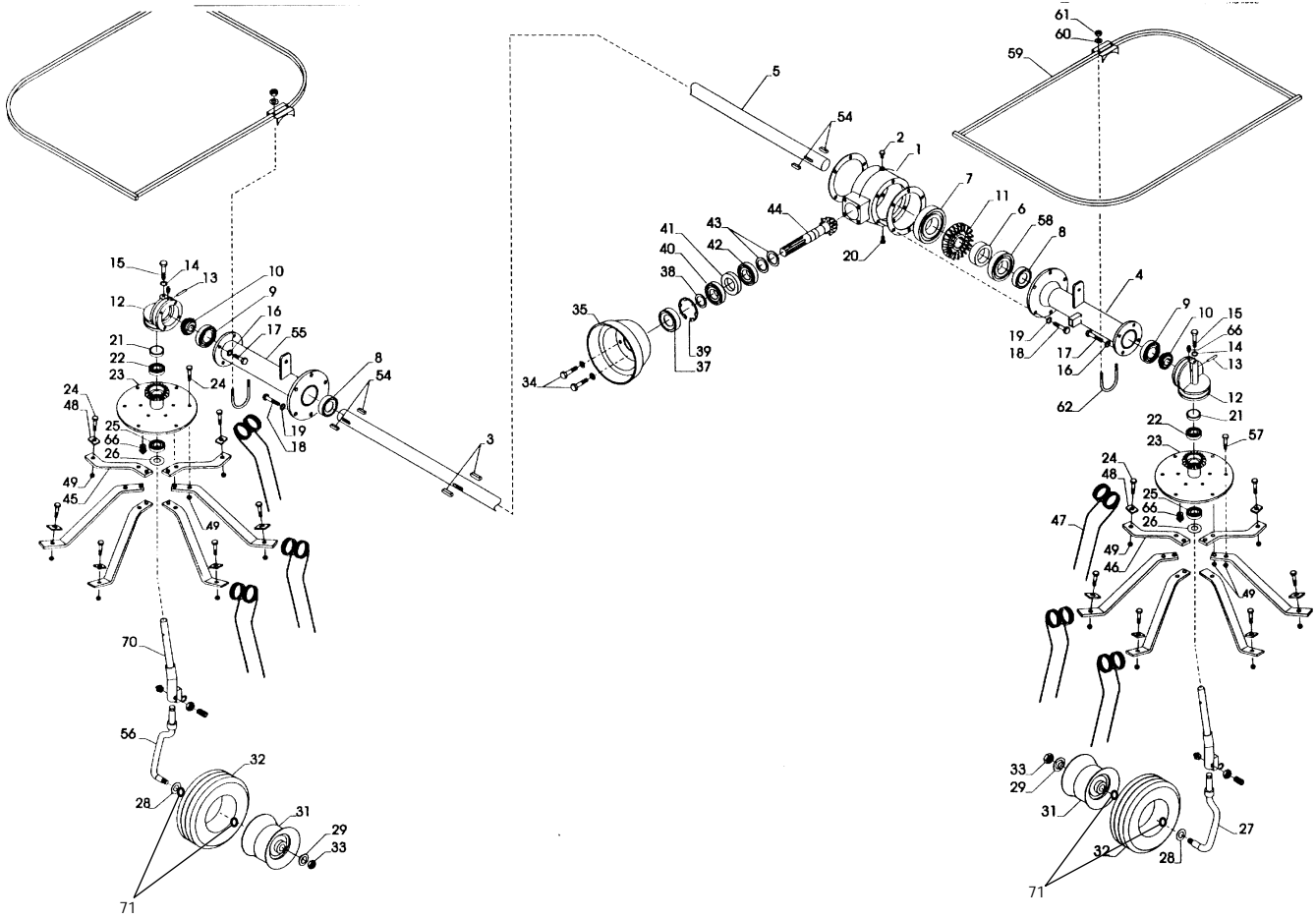
Pull Type Hitch



14 - (DRO, DRP) - 330
HITCHES

ITEM #	PART #	DESCRIPTION	QTY.
1	007-4232	Bolt M14x40	2
2	001-5218	Nut M14 Nylock	4
3	003-0277	Bolt M14x60	2
4	502-995B	Tine Arm Wrench	1
5	502-996B	Three Point Hitch	1
6	503-519B	Roll Pin 6x30	1
7	503-520B	Handle	1
8	503-521B	Pivot	1
9	503-522B	Adjustment Tube	1
10	004-1165	Nut M16 Nylock	1
11	503-523B	Threaded Rod	1
12	003-0309	Bolt M16x70	1
13	503-003B	Pull Type Tongue	1
14	001-5218	Nut M14 Nylock	2
15	503-001B	Pull Type Frame	1
16	003-0277	Bolt M14x60	2

14 - (DRO, DRP) - 330
MAINFRAME

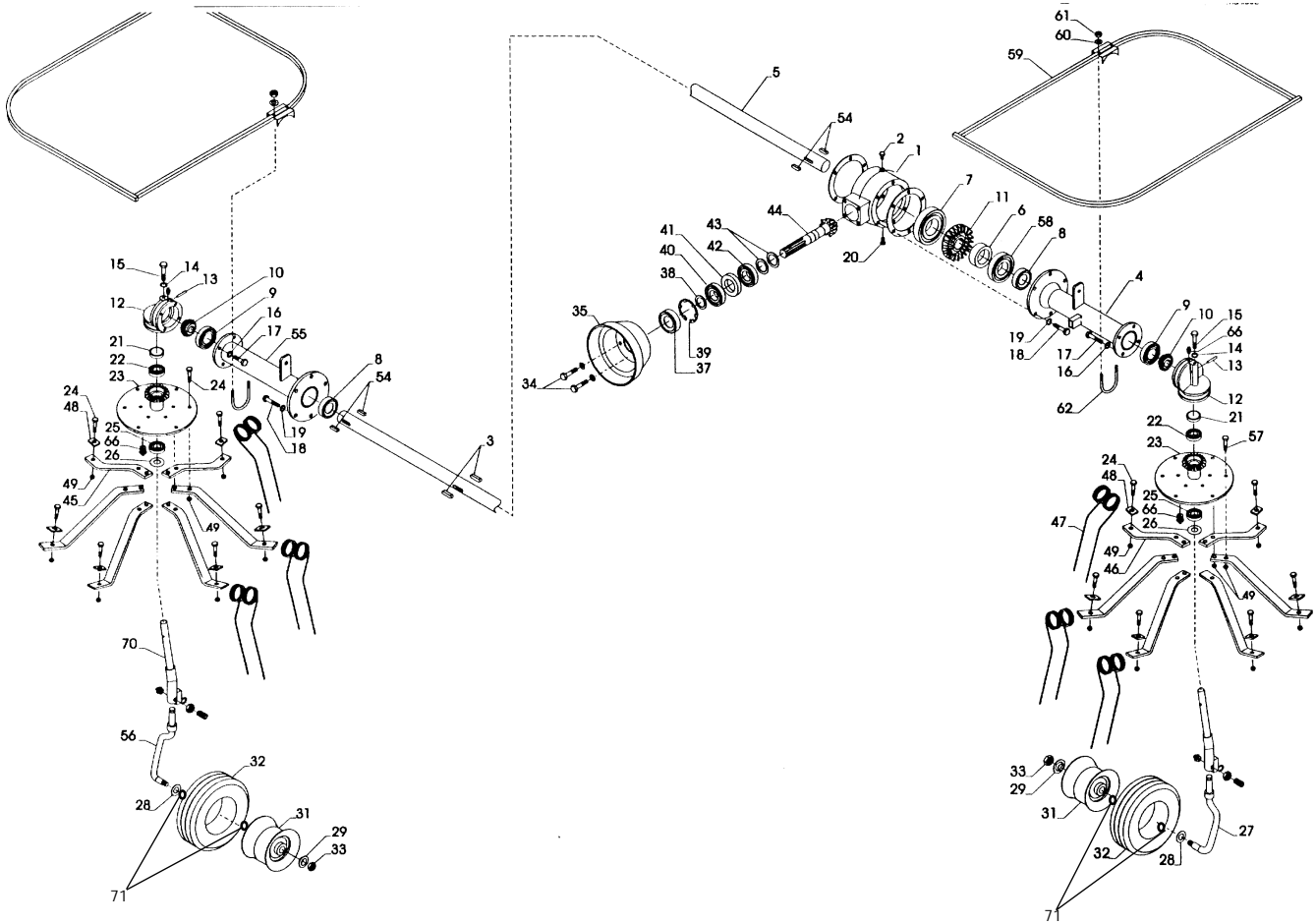




14 - (DRO, DRP) - 330
MAINFRAME

ITEM #	PART #	DESCRIPTION	QTY.
1	502-963B	Greabox Housing	1
2	502-964B	Oil Plug	1
3	000-6689	Key 8x7x30	2
4	502-966B	Drive Tube Left	1
5	502-967B	Central Shaft	1
6	502-968B	Spacer	1
7	003- 0201	Bearing 30208	1
8	502-346B	Oil Seal 40/70/10	2
9	002-5332	Bearing 6207	2
10	502-969B	Lateral Gear	2
11	502-970B	Bevel Gear	1
12	502-971B	Lateral Housing	2
13	000-5522	Roll Pin 10x50	2
14	003-0327	Flat Washer M10	2
15	000-6349	Bolt M10x20	2
16	502-972B	Lock Washer M12 Int.	8
17	000-7255	Bolt M12x35	8
18	009-1446	Bolt M8x25	12
19	502-973B	Lock Washer M8 Int.	12
20	502-974B	Lower Screw Plug	1
21	502-975B	Spacer 30x40	2
22	004-1422	Bearing 6206	2
23	502-976B	Flange with gear	2
24	007-4232	Bolt M14x40	8
25	501-843B	Bearing 30206	2
26	502-978B	Washer M30	2
27	502-994B	Wheel Yoke Left	1
28	502-981B	Inner Cover	2
29	502-982B	Outer Cover	2
31	503-524B	Wheel	2
32	502-375B	Tire 15x600x6	2
	502-983B	Wheel Complete	2
33	004-1165	Nut M16 Nylock	2
34	000-6349	Bolt M10x20	2
35	502-984B	Cover	1
37	003-0211	Oil Seal 35/72/10	1
38	502-331B	Retaining Ring for Shaft	1
39	502-332B	Snap Ring 72	1
40	002-5332	Bearing 6207	1
41	502-986B	Spacer DM70	1
42	000-7172	Bearing 30207	1

14 - (DRO, DRP) - 330 MAINFRAME





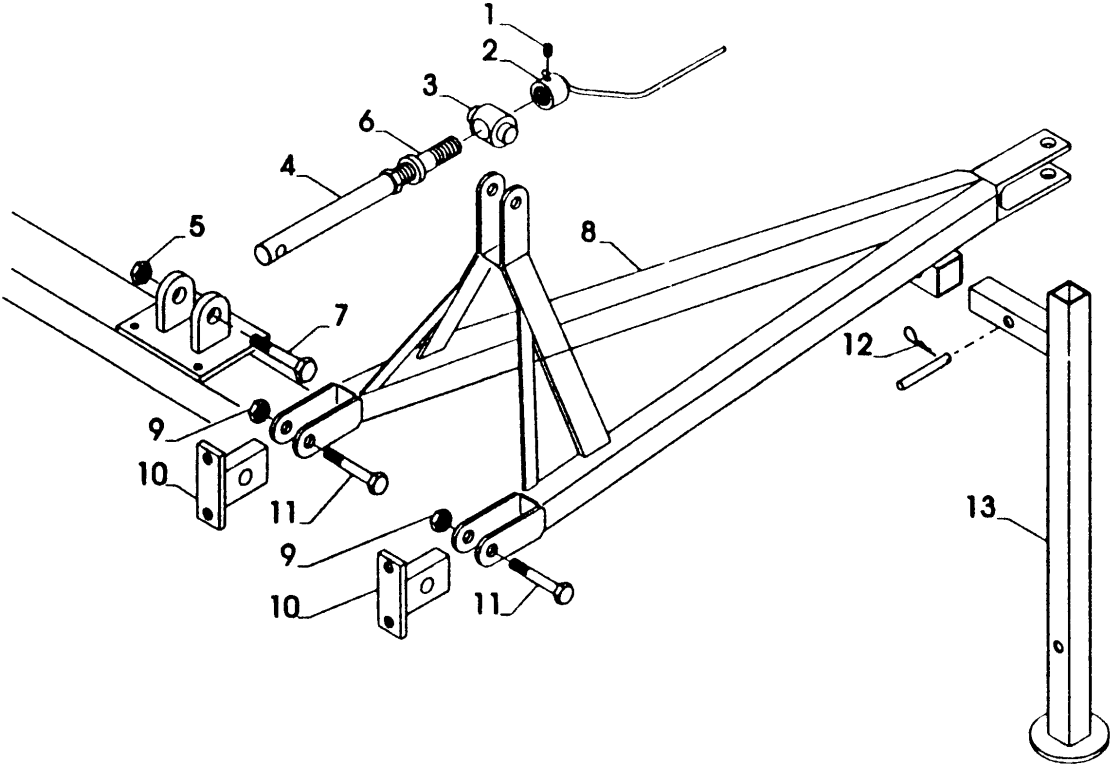
14 - (DRO, DRP) - 330
MAINFRAME

ITEM #	PART #	DESCRIPTION	QTY.
43	502-987B	Washer DM30.5	1
44	502-988B	Pinion Gear	1
45	502-989B	Fixed Tine Arm	8
46	502-990B	Adjustable Tine Arm	4
47	501-841B	Spring Tine	12
48	502-991B	Tine Clip	12
49	001-5218	Nut M14 Nylock	12
54	502-343B	Key 10x8x30	4
55	502-965B	Drive Tube Right	1
56	502-993B	Wheel Yoke Right	1
57	502-977B	Bolt M14x25	4
58	001-2149	Bearing 6208	1
59	502-998B	Safety Frame	2
60	000-2265	Flat Washer M12	4
61	001-3345	Nut M12 Nylock	4
62	502-999B	U Bolt	2
66	000-1065	Grease Fitting M10	2
70	502-992B	Wheel Support	2
71	000-6626	Bearing 6205ZZ	4



14 - DRP - 480
Pull Type Hitch

Pull Type

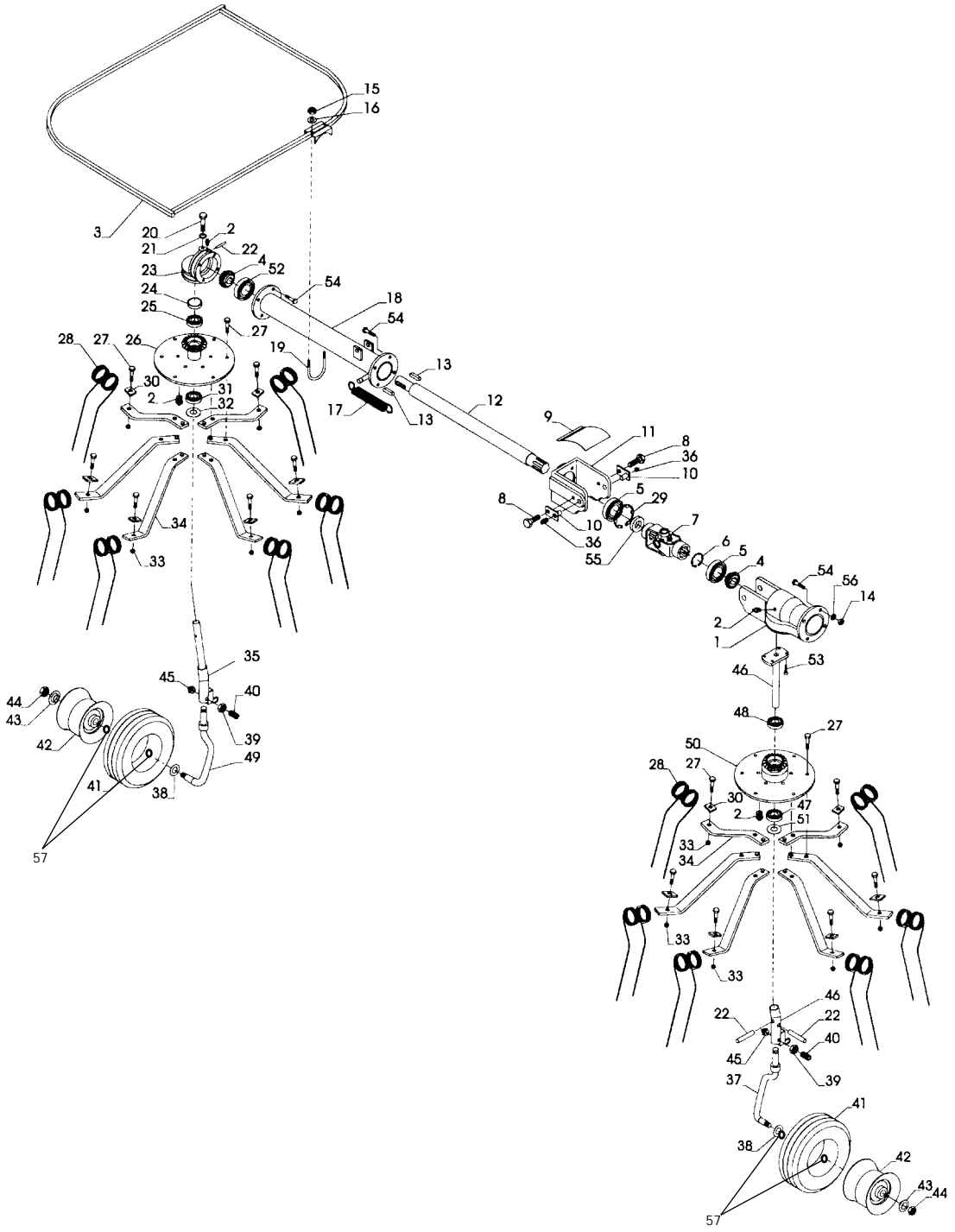




14 - DRP - 480
Pull Type Hitch

ITEM #	PART #	DESCRIPTION	QTY.
1	914-0606	Roll Pin 6x30	1
2	300-0190	Handle	1
3	300-0200	Pivot	1
4	300-0210	Adjustment Tube	1
5	004-1165	Nut M16 Nylock	1
6	917-0002	Threaded Rod	1
7	003-0309	Bolt M16x70	1
8	502-391B	Pull Type Tongue	1
9	001-5218	Nut M14 Nylock	2
10	503-525B	Three Point Bracket	2
11	000-5536	Bolt M14x90	2
12	502-390B	Lock Pin	1
13	502-389B	Stand	1

14 - DRP - 480 Left Side Section



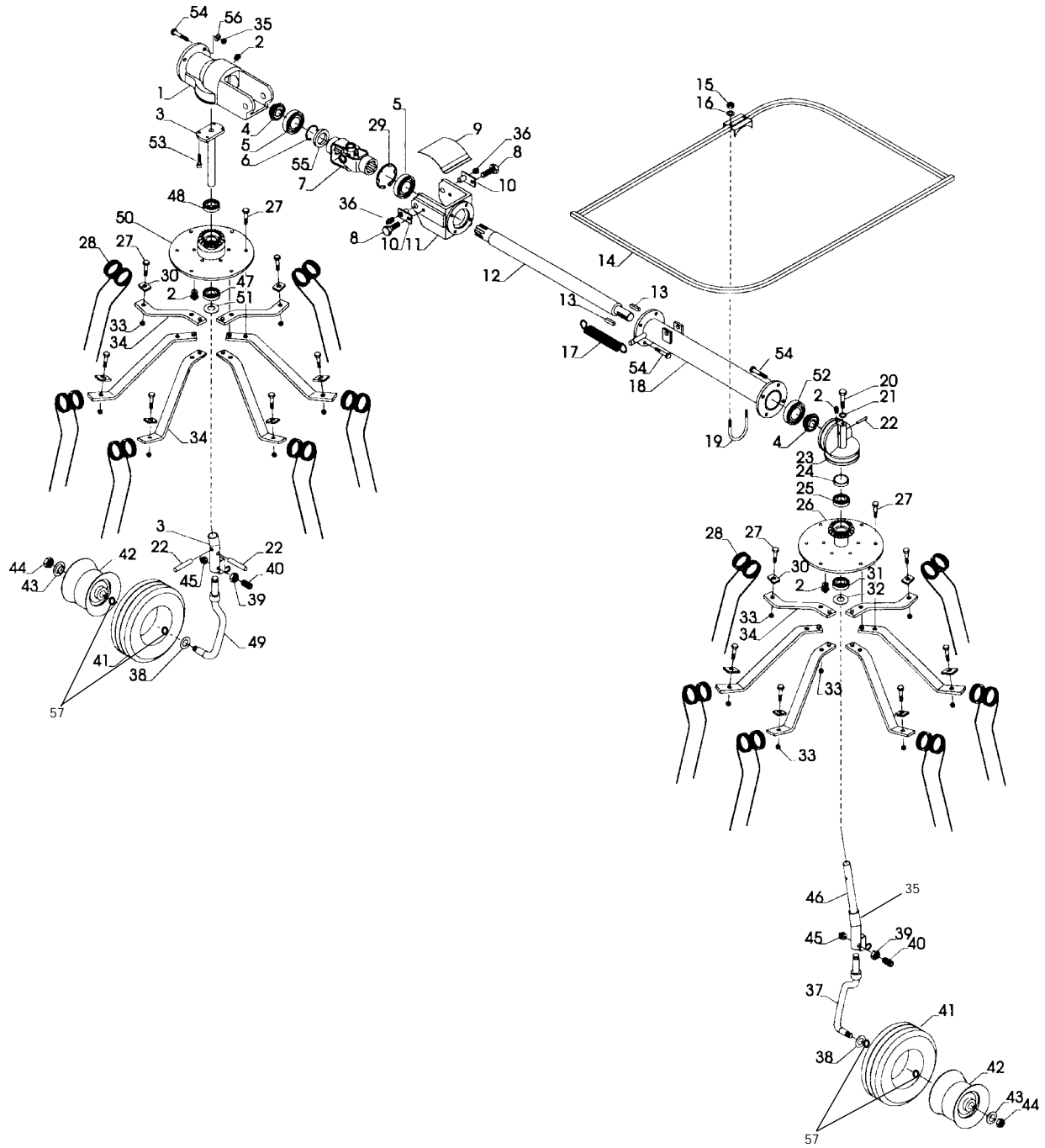


14 - DRP - 480
Left Side Section

ITEM #	PART #	DESCRIPTION	QTY.
1	502-353B	Lock Pin A	1
2	000-1065	Grease Fittings M10	4
3	502-998B	Safety Frame Left	1
4	502-969B	Lateral Gear	2
5	502-348B	Bearing 6207ZZ	2
6	502-331B	Retaining Ring For Shaft	1
7	503-526B	Joint	1
8	009-1446	Bolt M8x25	2
9	503-527B	Rubber Guard	1
10	502-324B	Pin	2
11	502-354B	Lock Pin B	1
12	503-006B	Lateral Shaft	1
13	502-343B	Key 10x8x30	2
14	001-3345	Nuts M12 Nylock	4
15	001-3345	Nut M12 Nylock	1
16	000-2265	Flat Washer M12	1
17	503-528B	Spring	1
18	502-378B	Drive Tube Left	1
19	502-999B	U Bolt	1
20	000-6349	Bolt M10x20	1
21	503-529B	Washer	1
22	000-5522	Roll Pin 10/50	3
23	502-379B	Side Gearbox	1
24	502-381B	Spacer	1
25	004-1422	Bearing 6206	1
26	502-361B	Flange & Gear	1
27	007-4232	Bolt M14x40	24
28	501-841B	Spring Tine	12
29	502-331B	Retaining Rings for Bores	1
30	501-840B	Tine Clip	12
31	501-843B	Bearing 30206	1
32	502-364B	Flat Washer M30	1
33	001-5218	Nut M14 Nylock	12
34	502-363B	Tine Arm 480	12
35	502-382B	Support Wheel Shaft	1
36	003-6652	Grease Fitting	1
37	502-371B	Wheel Yoke Left	1
38	502-373B	Wheel Protection	2
39	001-4106	Nut M10 Nylock	2
40	502-380B	Roll Pin 10x20	2
41	502-375B	Tire 15x600x6	2
42	503-530B	Wheel	2
	503-531B	Wheel Complete	2
43	502-374B	Wheel Protection	2
44	004-1165	Nut M16 Nylock	2
45	000-020E	Grease Fitting	2
46	502-366B	Shaft with Flange Left	1
47	004-4281	Bearing 32007	1
48	502-412B	Bearing 6007	1
49	503-039B	Wheel Yoke Right	1
50	502-361B	Flange & Gear	1
51	502-036B	Washer M35	1
52	002-5332	Bearing 6207	1
53	502-368B	Bolt M12x30	4
54	002-3265	Bolt M12x40	12
55	503-532B	Spacer	1
56	502-355B	Washer DM12	4
57	000-6626	Bearing 6205 ZZ	4



14 - DRP - 480
Right Side Section

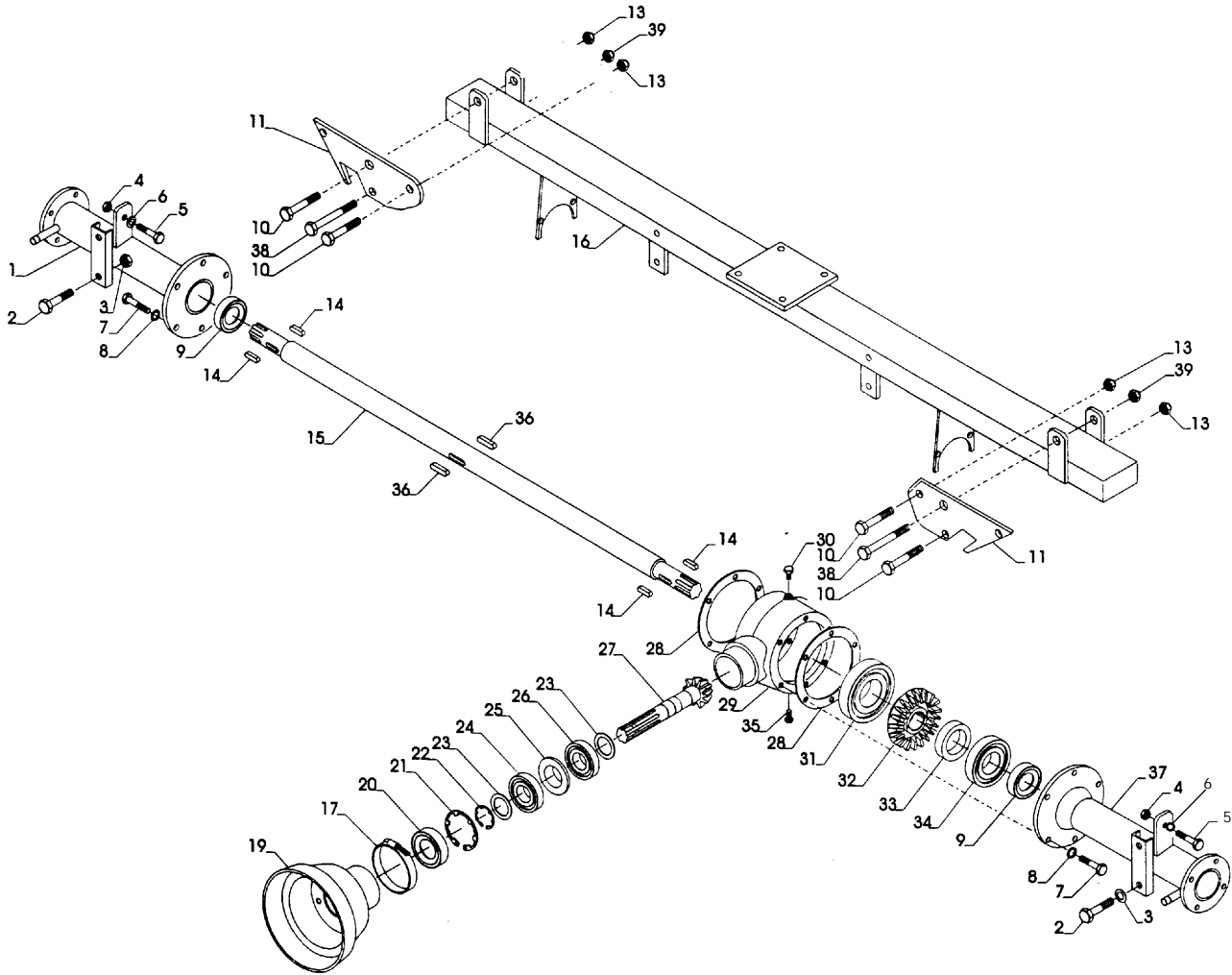




14 - DRP - 480
Right Side Section

ITEM #	PART #	DESCRIPTION	QTY.
1	502-353B	Lock Pin A	1
2	000-1065	Grease Fittings M10	4
3	502-365B	Shaft w/Flange Right	1
4	502-969B	Lateral Gear	2
5	502-348B	Bearing 6207 2RS	2
6	502-331B	Retaining Ring For Shaft	1
7	503-533B	Joint	1
8	009-1446	Screw M8x25	2
9	503-534B	Rubber Guard	1
10	502-324B	Joint Pin 4G	2
11	502-354B	Lock Pin B	1
12	503-006B	Lateral Shaft	1
13	502-343B	Key 10x8x30	2
14	502-998B	Nuts M12	1
15	001-3345	Nut M12 Nylock	1
16	000-2265	Flat Washer M12	1
17	503-535B	Spring	1
18	502-378B	Drive Tube Left	1
19	502-999B	U Bolt	1
20	000-6349	Bolt M10x20	1
21	503-536B	Washer	1
22	000-5522	Roll Pin 10/50	3
23	502-379B	Side Gearbox	1
24	502-381B	Spacer	1
25	004-1422	Bearing 6206	1
26	502-361B	Flange & Gear	1
27	007-4232	Bolt M14x40	24
28	501-841B	Spring Tine	12
29	502-331B	Retaining Rings for Bores	1
30	501-840B	Tine Clip	1
31	501-843B	Bearing 30206	1
32	502-364B	Flat Washer M30	1
33	001-5218	Nut M14 Nylock	12
34	502-363B	Tine Arm 480	12
35	502-382B	Support Wheel Shaft	1
36	003-6652	Grease Fitting	1
37	503-038B	Wheel Yoke Right	1
38	502-373B	Wheel Protection	2
39	001-4106	Nut M10 Nylock	2
40	502-380B	Stainless Steel 10x20	2
41	502-375B	Tire 15x600x6	2
42	503-537B	Wheel	2
	503-538B	Wheel Complete	2
43	502-374B	Wheel Protection	2
44	004-1165	Nut M16 Nylock	2
45	000-020E	Grease Fitting	2
46	502-366B	Shaft	1
47	004-4281	Bearing 32007	1
48	502-412B	Bearing 6007	1
49	502-370B	Wheel Yoke Right	1
50	502-361B	Flange & Gear	1
51	503-036B	Washer M35	1
52	002-5332	Bearing 6207	1
53	502-368B	Bolt M12x30	4
54	002-3265	Bolt M12x40	12
55	503-539B	Spacer	1
56	503-355B	Washer DM12	1
57	000-6626	Bearing 6205 ZZ	4

14 - DRP - 480
Center Section

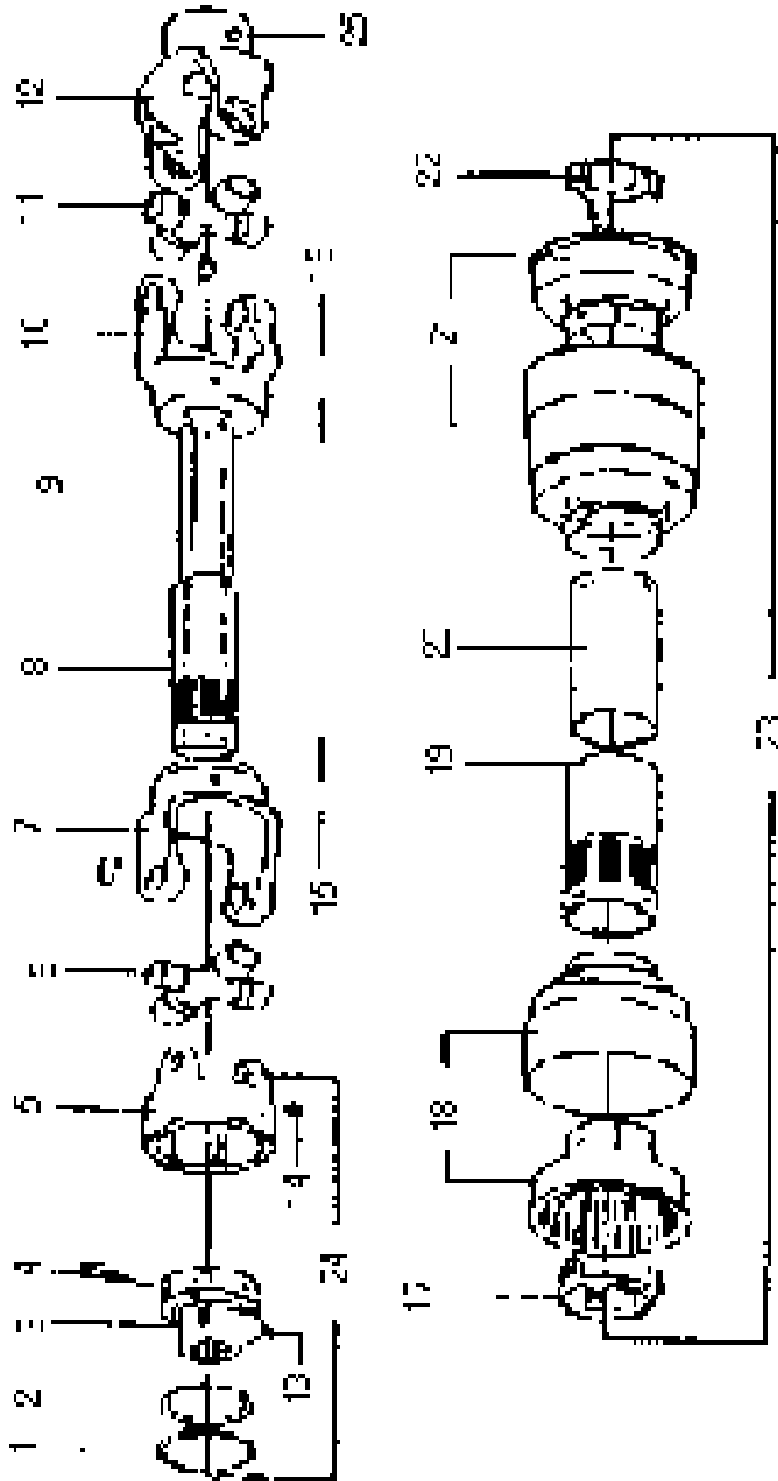




14 - DRP - 480
Center Section

ITEM #	PART #	DESCRIPTION	QTY.
1	502-335B	Drive Tube Right 480	1
2	000-2346	Bolt M14x20	2
3	001-5218	Nut M14 Nylock	2
4	001-3345	Nut M12 Nylock	2
5	502-368B	Bolt M12x30	2
6	502-355B	Lock Washer D12	2
7	000-1278	Bolt M10x30	2
8	000-1280	Lock Washer D10	2
9	502-346B	Oil Seal 40/70/10	2
10	503-540B	Bolt M10x140	4
11	503-341B	Hook Stopping Impellers	2
13	001-5237	Nut M10 Nylock	2
14	502-344B	Feather Key 8/7/30	4
15	503-004B	Input Shaft 480 w/P.T.	1
16	503-542B	Bars Sleeper for 3 Point	1
17	503-543B	Hose Clamp 60/80	1
19	502-333B	Cover	1
20	003-0211	Oil Seal 35/72/10	1
21	502-332B	Snap Ring 72	5
22	502-331B	Snap Ring 35	1
23	502-329B	Washer M35	2
24	002-5332	Bearing 6207	3
25	503-544B	Spacer 70x29.05	1
26	000-7172	Bearing 30207	1
27	502-328B	Pinion Shaft	2
28	502-338B	Gasket	1
29	502-327B	Gearbox Housing	1
30	502-964B	Up Screw Plug	1
31	003-0201	Bearing 30208	1
32	502-345B	Ring Gear	1
33	502-352B	Spacer	1
34	001-214B	Bearing 6208	1
35	502-964B	Lower Screw Plug	1
36	502-344B	Key 8x7x30	2
37	502-337B	Drive Tube Left 480	1
38	000-6891	Bolt M16x140	2
39	003-0358	Nut M16 Nylock	2

14 - DRP - 480
Driveline





14 - DRP - 480
Driveline

ITEM #	PART #	DESCRIPTION	QTY.
1	000-040E	SNAP RING	1
2	015-100E	SEALING RING	1
3	025-106E	HUB WITH Q.D.	1
4	015-151E	RATCHET	-
5	002-200E	HOUSING W/YOKE	1
6	012-130E	CROSS AND BEARING	1
7	012-003E	OUTER TUBE YOKE	1
8	120-213E	OUTER TUBE	1
9	120-113E	INNER TUBE	1
10	012-003E	INNER TUBE YOKE	1
11	012-130E	CROSS AND BEARING	1
12	022-001E	PUSH PIN YOKE	1
13	026-004E	PUSH PIN SET	1
14	000-020E	GREASE FITTING	1
15	000-011E	ROLL PIN M8X55	1
16	000-011E	ROLL PIN M8X50	1
17	012-007E	LOCK COLLAR FEMALE	1
18	012-013E	GUARD CONE OUTER	1
19	121-113E	TUBE SHIELD FEMALE	1
20	121-213E	TUBE SHIELD MALE	1
21	012-012E	GUARD CONE INNER	1
22	012-006E	LOCK COLLAR INNER	1
23	220-214E	SHIELD COMPLETE	1
24	226-013E	TORQUE LIMITER COMPLETE	1
25	026-004E	PUSH PIN SET (TRACTOR YOKE)	1
	948-909B	PTO COMPLETE (ALL PTO TEDDER)	-