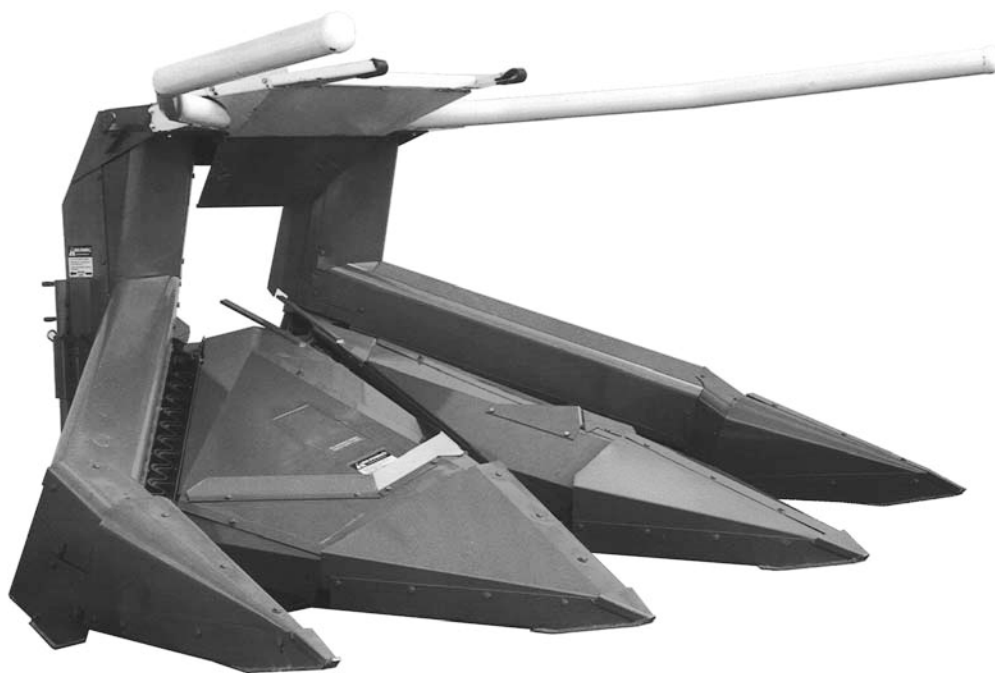


Form No.
908012
Replaces
904848

TR338

Three Row Attachment



PARTS MANUAL

GEHL® AGRICULTURE

Introduction

When ordering service parts, specify the correct part number, full description, quantity required, the unit model number and serial number.

The model and serial number for this unit are on a plate located on the right side of the Main Frame next to the Attachment Stand.

“Right” and “left” are determined from a position standing behind the unit and facing toward the direction of travel. From this position, the Attachment Drive is on the “left” side.

GEHL® Company reserves the right to make changes or improvements in the design or construction of any part of the unit without incurring the obligation to install such changes on any previously delivered units.

Grease fittings and common attaching hardware, such as Cotter Pins, Set Screws, Woodruff Keys, Screws, Nuts, etc., are included in the parts lists, indented below the part it is (they are) associated with, but NOT illustrated, except where a particular routing or special fastening arrangement MUST be maintained. The hardware listed is for mounting purposes and is NOT included when the part is ordered for replacement.

Refer to the abbreviations table located on this page for the various fastener descriptions. Standard attaching hardware torque values are also provided on the inside back cover.

In the exploded view parts list, Reference Numbers may have additional information following the Reference Number.

Also, a number inside of a hexagon will be the torque value required, in foot pounds, on the associated Reference Number. Items shown in the parts list that do not have Reference Numbers are shown for reference purposes only and are NOT available for purchase.

Unless otherwise specified, all Cap Screws or Bolts are Grade 5, cadmium or zinc plated; Hexagon Nuts for Grade 5 Screws or Bolts are Grade B; Hexagon Nuts for other Screws or Bolts are Grade A.

NOTE: *The following abbreviations may be used herein:*

ADJ	– Adjust or Adjustment
ALT	– Alternate
AR	– As Required
ASSY	– Assembly
BRG	– Bearing
CB	– Carriage Bolt

CS	– Cap Screw (Hexagon Head)
DIA	– Diameter
DEG	– Degree
FHMS	– Flat Head Machine Screw
FHSCS	– Flat Head Socket Cap Screw
FLN	– Flanged Lock Nut (Hexagon)
FLS	– Flanged Lock Screw
FRT	– Front
FT	– Foot or Feet
FW	– Flat Washer
GA	– Gauge
GR	– Grade
I.D.	– Inside Diameter
HD	– Hard
HN	– HN
HTB	– Hex Tap Bolt
JN	– Jam Nut
LH	– Left Hand
LN	– Lock Nut (Hexagon)
LT	– Left
MTG	– Mounting
MM/mm	– Millimeter
N	– Nut (Hexagon)
NF	– National Fine
NILN	– Nylon Insert Lock Nut
O.D.	– Outside Diameter
PB	– Plow Bolt
PTO	– Power Take Off
RT	– Right
RH	– Right Hand
RHMS	– Round Head Machine Screw
RHSQNB	– Round Head Square Neck Bolt
RPM	– Revolutions Per Minute
RT	– Right
SHSS	– Socket Head Set Screw
SPL	– Special
SN	– Serial Number or Slotted Nut
SPKT	– Sprocket
SQ	– Square
SQHSS	– Square Head Set Screw
T	– Tooth or Teeth
TFS	– Thread Forming Screw
THMS	– Truss Head Machine Screw
UNIV	– Universal
W/	– With
WDRF	– Woodruff
WLDMT	– Weldment
WLN	– Whiz-lock Nut
WLS	– Whiz-lock Screw
WN	– Wing Nut
W/O	– Without

TABLE OF CONTENTS

Introduction	Inside Front Cover
Table of Contents	1
Decal Locations	2-3
Main Frame	4-5
Divider	6-7
Gatherer Drive	8-9
Gatherer	10-13
Deflector	14-15
Alphabetical Index	16
Numerical Index	17-18
Standard Hardware Torque Specifications	Inside Back Cover

CHAPTER 1

DECAL LOCATIONS

GENERAL INFORMATION

Decal locations information is provided to assist in the proper selection and application of new decals, in the event the original decals become damaged or the machine is repainted. Refer to the listing for the illustration reference number, part number, description and quantity of each decal provided in the kit. Refer to the appropriate illustrations for replacement locations.

NOTE: Refer to the *SAFETY* chapter of the *Operator's Manual* for the specific information provided on all of the various safety decals furnished in the decal kit(s).

To insure proper selection for correct replacement decals, compare all of the various close-up location photographs to your machine **BEFORE** starting to refinish the unit. Then circle each pictured decal applicable to your machine and check off its part number in the listing. After you have verified all the decals needed for replacement, set aside unneeded decals for disposal.

NEW DECAL APPLICATION

Surfaces **MUST** be free from dirt, dust, grease and other foreign material before applying the new decal. To apply a solid-formed decal, remove the smaller portion of the decal backing paper and apply this part of the exposed adhesive backing to the clean surface while maintaining proper position and alignment. Slowly peel off the other portion of the backing paper while applying hand pressure to smooth out the decal surface.



CAUTION

ALWAYS observe safety precautions shown on decals. If decals become damaged, or if the unit is repainted, replace the decals. If repainting, **BE SURE** that **ALL** decals from the Kit(s) that apply to your machine are affixed to your unit.

PAINT NOTICE

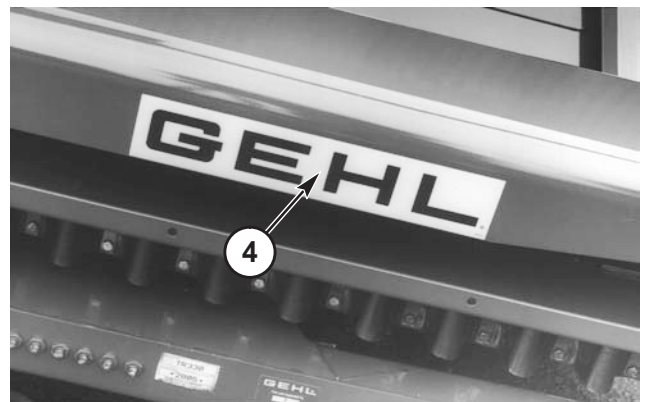
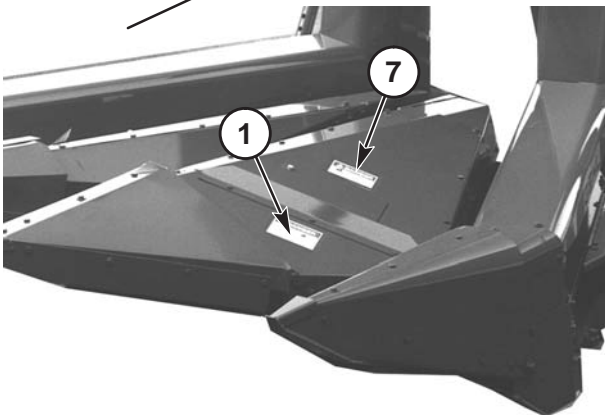
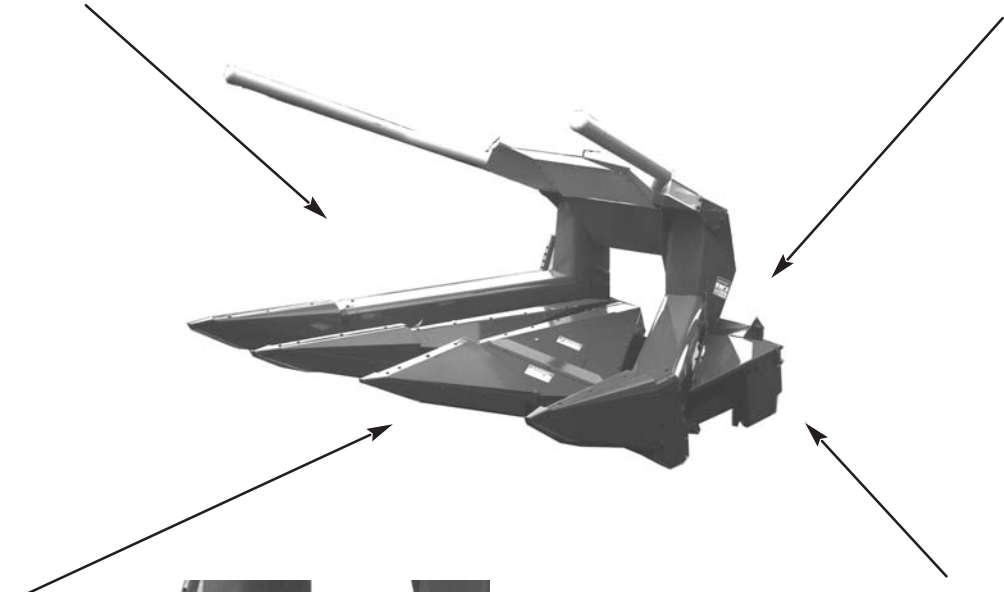
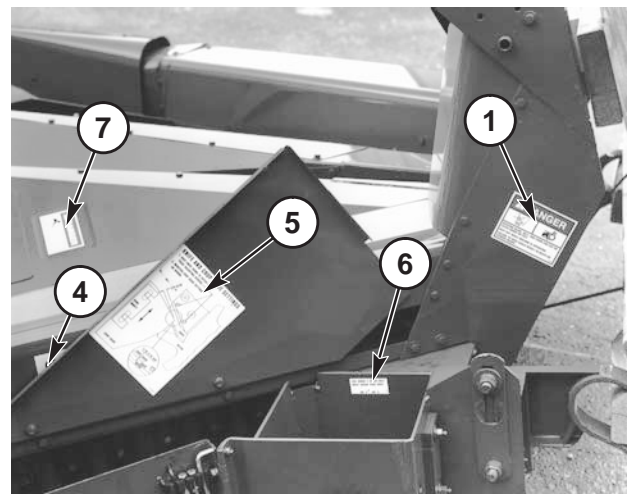
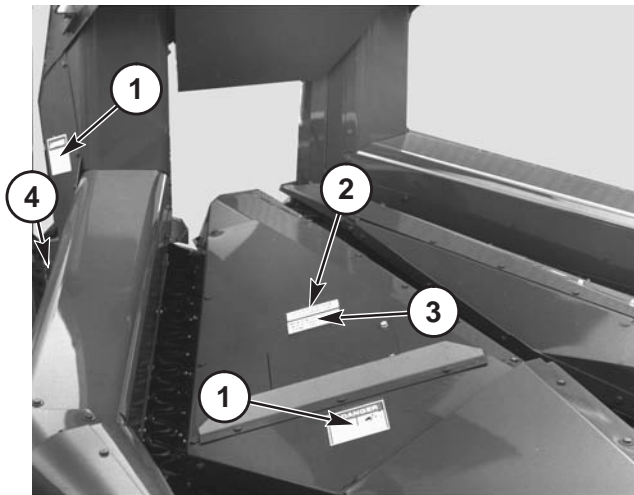
Use this list to order paint for refinishing:

901225	One Gal. Blaze
901226	One Gal. Maize
610239	6 (12 oz. Spray Cans) Blaze
610240	6 (12 oz. Spray Cans) Maize

NOTE: Discard Decals **NOT** required for this machine. Always order Decals by set number. **DO NOT** order Decals separately.

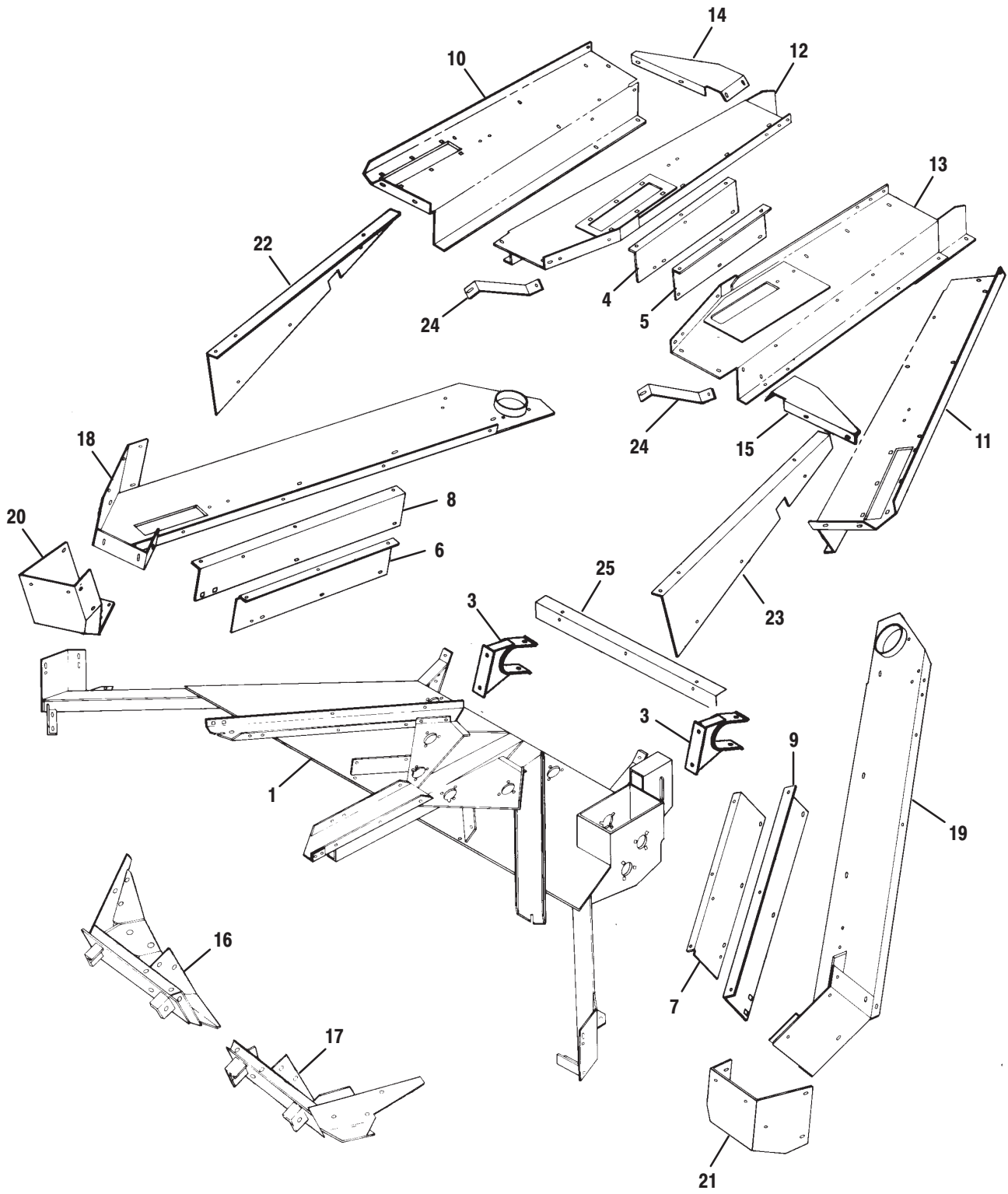
The Decal Set Number for TR338 is 093567. The set includes the following:

Ref. No.	Part No.	Description & Quantity
1.	093499	DANGER – Rotating Blade (4 Places)
2.	058303	Lubrication
3.	058302	Chain Adjustment
4.	061201	GEHL (2 Places)
5.	060989	Crop Guide Setting
6.	065771	Shear Bolt
7.	093445	DANGER – Hand Feed



Photos show a similar model TR330

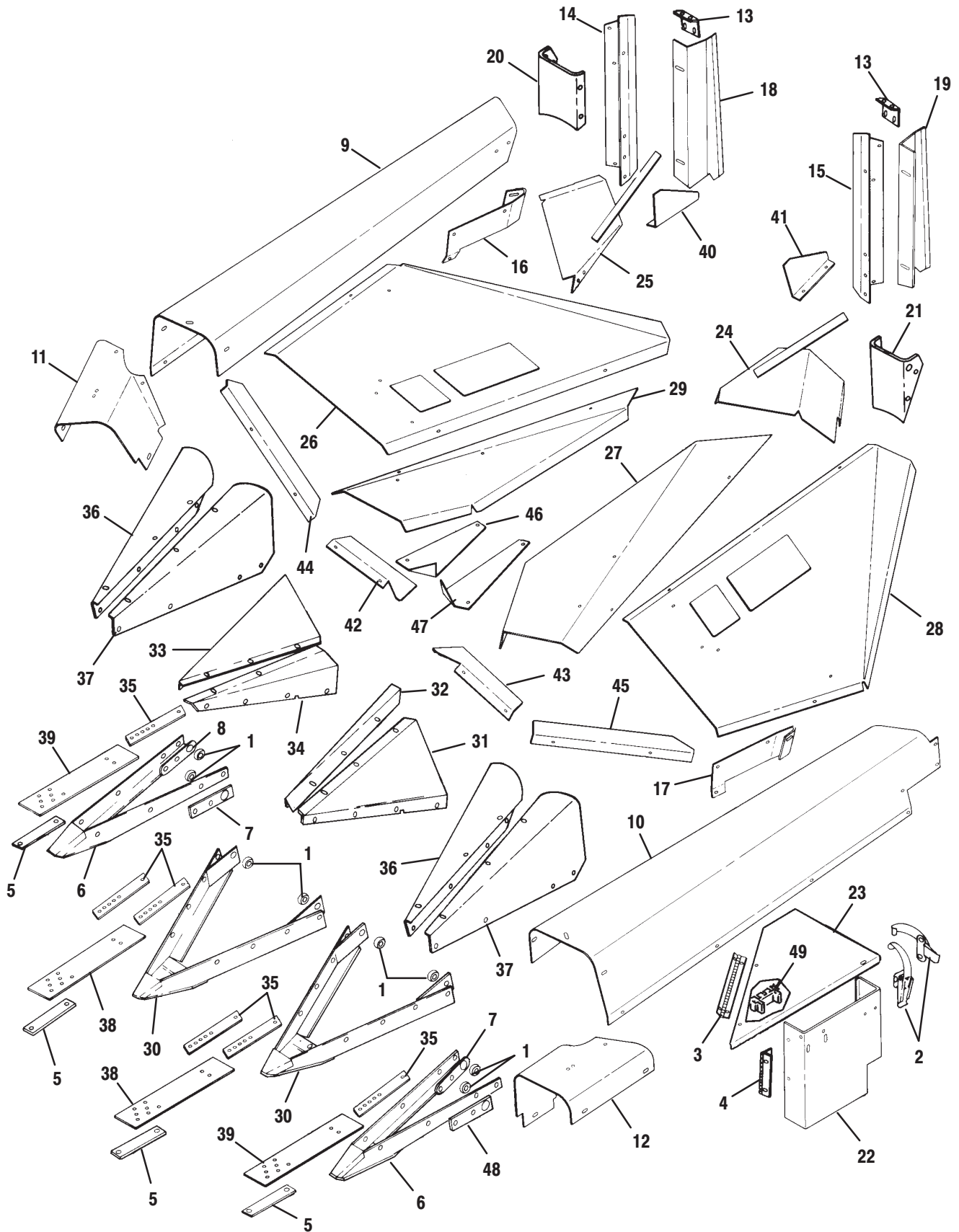
TR338 - MAIN FRAME



TR338 - MAIN FRAME

Ref. No.	Part No.	Description	Qty. Req.	Ref. No.	Part No.	Description	Qty. Req.
01	063213	FRAME/MAIN	1	12	063278	FRAME/RT CENTER	1
	650486	CS 5/16X3/4 (LN, FW)	3		650486	CS 5/16X3/4 (HN, LW)	5
	650487	CS 5/16X1 (HN, LW, FW)	33		650573	CB 5/16X1 (HN, LW, FW)	6
	650533	CS 3/8X1-1/2 (HN, LW, FW)	2	13	063281	FRAME/LT CENTER	1
	650745	CB 5/16X1-1/4 (HN, LW, FW)	3		650486	CS 5/16X3/4 (HN, LW)	5
	650704	CB 3/8X1 (HN, LW, FW)	9		650490	CS 3/8X1 (HN, LW)	4
	650790	CB 3/8X3/4 (HN, LW, FW)	6	14	063286	BRACKET/FRAME CENTER RT	1
	650527	CB 1/2X1-1/4 (HN, LW, FW)	2	15	063287	BRACKET/FRAME CENTER LT	1
03	063261	YOKE/QUICK SWITCH	2	16	063288	SHOE/RT CENTER	1
	650569	CS 1/2X1-3/4 (HN, LW)	4		650487	CS 5/16X1 (HN, LW, FW)	4
04	063268	PARTITION/RT CENTER	1		650490	CS 3/8X1 (HN, LW, 2FW)	4
05	063269	PARTITION/LT CENTER	1	17	063297	SHOE/LT CENTER	1
06	063264	PARTITION/RT INNER	1		650487	CS 5/16X1 (HN, LW, FW)	4
	650487	CS 5/16X1 (HN, LW, FW)	1		650490	CS 3/8X1 (HN, LW, 2FW)	4
07	063265	PARTITION/LT INNER	1	18	063302	FRAME/RT UPPER	1
	650487	CS 5/16X1 (HN, LW, FW)	1	19	063313	FRAME/LT UPPER	1
08	063266	PARTITION/RT OUTER	1	20	063308	SHOE/RT OUTER	1
09	063267	PARTITION/LT OUTER	1		650487	CS 5/16X1 (HN, LW, FW)	2
10	063272	FRAME/RT INNER	1	21	063317	SHOE/LT OUTER	1
	650487	CS 5/16X1 (HN, LW, FW)	3		650487	CS 5/16X1 (HN, LW, FW)	2
	650573	CB 5/16X1 (HN, LW, FW)	6	22	063391	SUPPORT/DIVIDER RT	1
11	063275	FRAME/LT INNER	1	23	063392	SUPPORT/DIVIDER LT	1
	650487	CS 5/16X1 (HN, LW, FW)	5	24	063393	BRACE/DIVIDER SUPPORT	2
	650490	CS 3/8X1 (HN, LW, 2FW)	1	25	063415	EXTENSION/FRAME DECK	1
	650573	CB 5/16X1 (HN, LW, FW)	6				

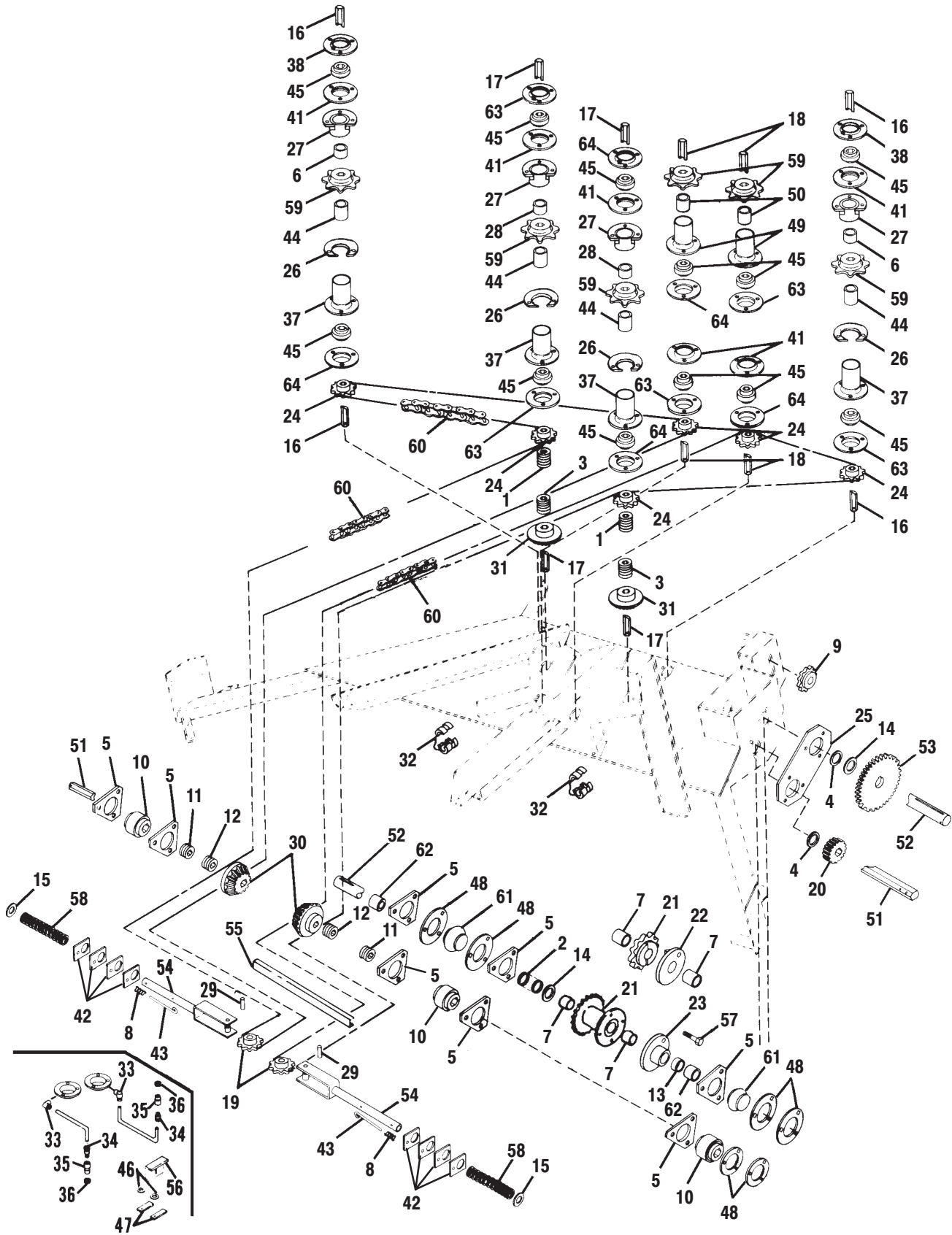
TR338 - DIVIDER



TR338 - DIVIDER

Ref. No.	Part No.	Description	Qty. Req.	Ref. No.	Part No.	Description	Qty. Req.
01	6H130	SPACER	8	24	063394	CAP/DIVIDER RT	1
	650453	CS 1/2X1-1/2 (HN, LW, FW)	8	25	063397	CAP/DIVIDER LT	1
02	044116	LATCH	2	26	063399	RT PANEL/RT DIVIDER	1
	650812	RHMS 12-24X1-1/4 (HN, LW)	4		650486	CS 5/16X3/4 (HN, LW)	2
03	056824	HINGE	1	27	063400	RT PANEL/LT DIVIDER	1
	650484	CS 5/16X1/2 (HN, LW, FW)	2	28	063401	LT PANEL/LT DIVIDER	1
	650486	CS 5/16X3/4 (HN, LW)	2		650486	CS 5/16X3/4 (HN, LW)	2
04	057073	HINGE	1	29	063402	LT PANEL/RT DIVIDER	1
	650484	CS 5/16X1/2 (HN, LW)	2	30	063403	FRAME/CTR DIVIDER	2
	650486	CS 5/16X3/4 (HN, LW)	2		650486	CS 5/16X3/4 (HN, LW)	16
05	058236	REINF/BELT STRAP	4	31	063408	SHEET/OUTER CTR POINT LT	1
06	058277	FRAME/POINT	2		650484	CS 5/16X1 (HN, LW)	1
	650486	CS 5/16X3/4 (HN, LW)	8	32	063409	SHEET/INNER LT CTR POINT	1
	650487	CS 5/16X1 (HN, LW)	8		650486	CS 5/16X3/4 (HN, LW)	1
07	058286	HINGE/INNER	2		650545	CS 5/16X1-1/4 (HN, LW)	1
08	058287	HINGE/OUTER	1	33	063410	SHEET/OUTER CTR POINT RT	1
09	063364	FENDER/REAR RT	1		650484	CS 5/16X1 (HN, LW)	1
10	063365	FENDER/REAR LT	1	34	063411	SHEET/INNER RT CTR POINT	1
11	063366	FENDER/FRONT RT	1		650486	CS 5/16X3/4 (HN, LW)	1
12	063367	FENDER/FRONT LT	1		650545	CS 5/16X1-1/4 (HN, LW)	1
13	063369	BRACKET/THROAT	2	35	063412	STRAP/POINT REINF	6
	650486	CS 5/16X3/4 (HN, LW)	8	36	063413	SHEET/POINT RT	2
14	063370	THROAT/RT	1		650486	CS 5/16X3/4 (HN, LW)	4
	650486	CS 5/16X3/4 (HN, LW, FW)	2		650545	CS 5/16X1-1/4 (HN, LW, FW)	2
15	063371	THROAT/LT	1	37	063414	SHEET/POINT LT	2
	650486	CS 5/16X3/4 (HN, LW, FW)	2	38	064060	STRAP/POINT	2
16	063372	FILLER/RT	1	39	064061	STRAP/POINT	2
	650486	CS 5/16X3/4 (HN, LW, FW)	1	40	067190	BAFFLE/RT BELT RETURN (AFTER SN1110)	1
17	063373	FILLER/LT	1	41	067191	BAFFLE/LT BELT RETURN	1
	650486	CS 5/16X3/4 (HN, LW, FW)	1	42	068557	BAFFLE/RT FRONT COB	1
18	063374	EXTENSION/RT THROAT	1	43	068558	BAFFLE/LT FRONT COB	1
19	063375	EXTENSION/LT THROAT	1	44	068559	BAFFLE/RT COB	1
20	063376	FENDER/VERTICAL RT	1	45	068560	BAFFLE/LT COB	1
	650486	CS 5/16X3/4 (HN, LW)	2	46	068561	BAFFLE/RT INNER COB	1
21	063377	FENDER/VERTICAL LT	1	47	068562	BAFFLE/LT INNER COB	1
	650486	CS 5/16X3/4 (HN, LW)	2	48	073530	HINGE/OUTER LT	1
22	063389	SHIELD/DRIVE GEAR	1	49	059272	HOLDER/SHEAR BOLT	1
23	063390	SHIELD/DRIVE GEAR TOP	1				

TR338 - GATHERER DRIVE

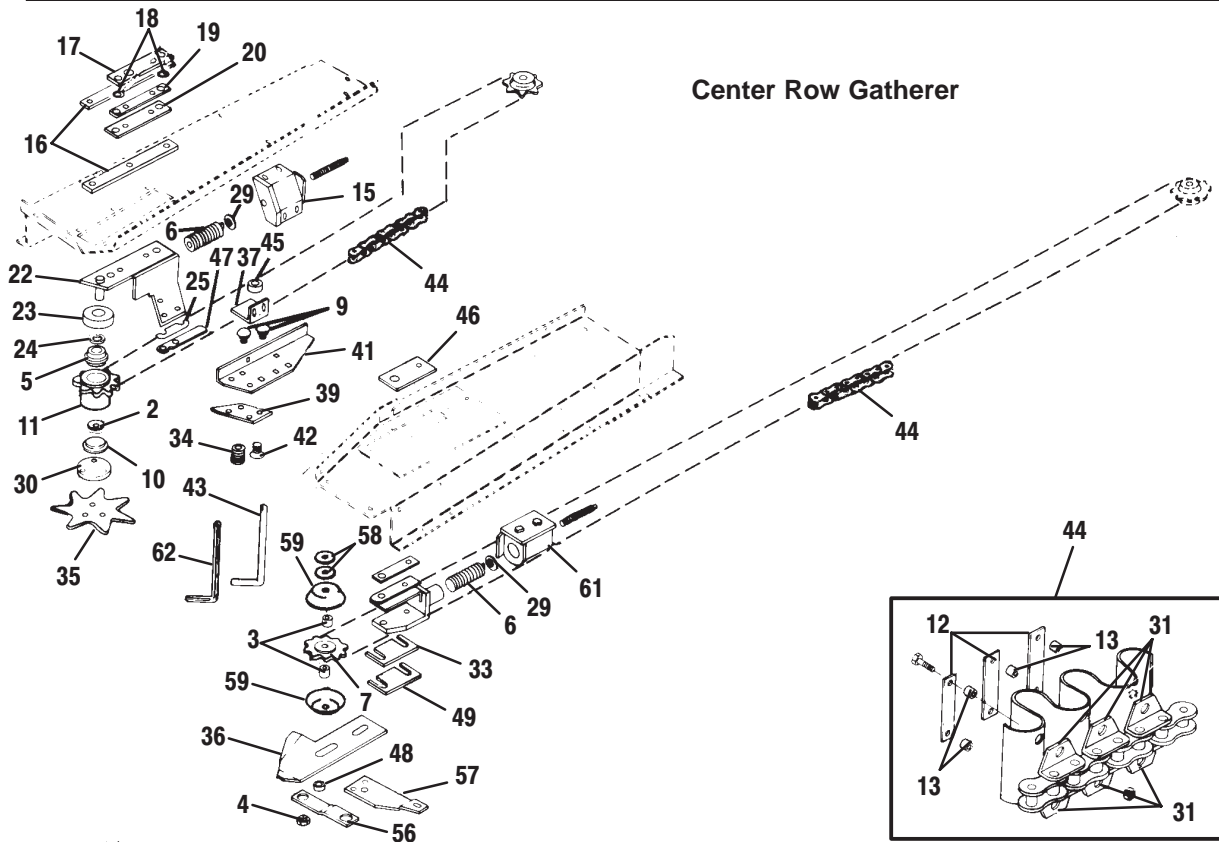
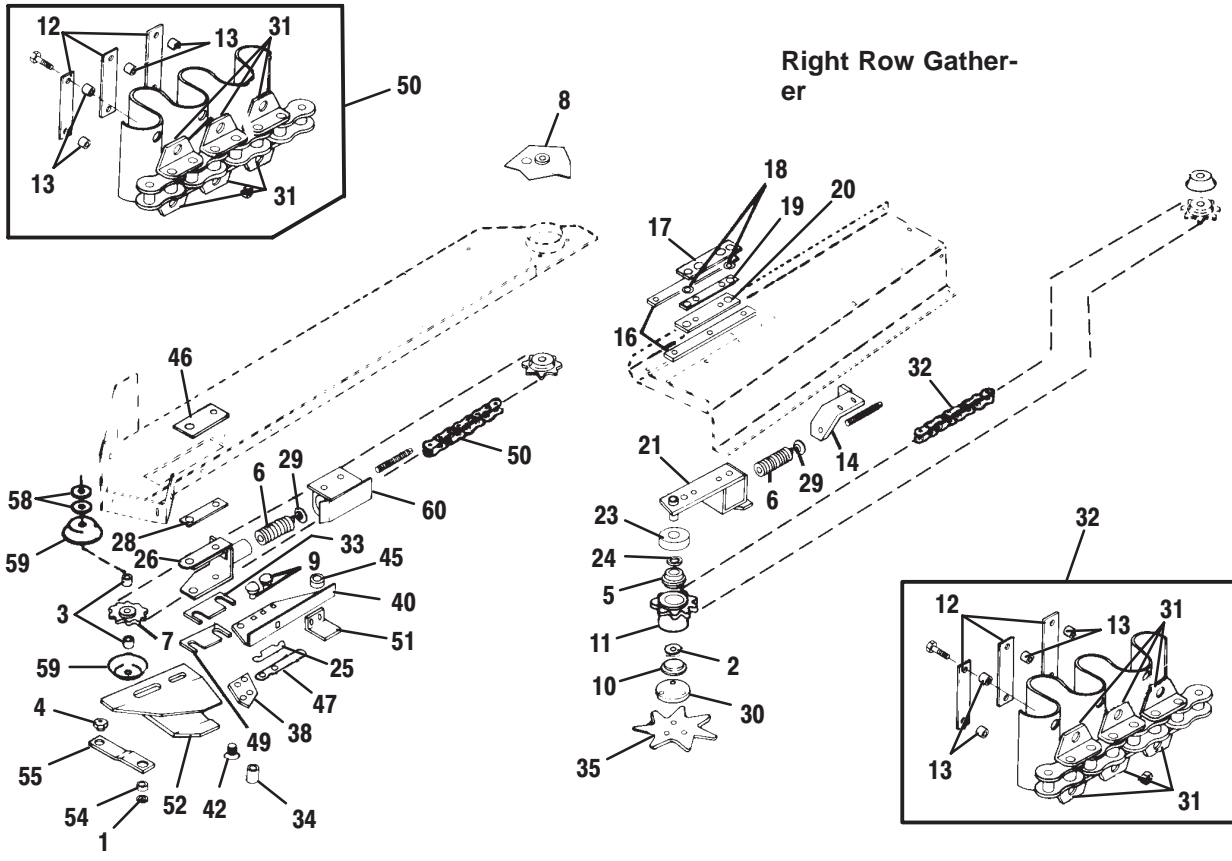


TR338 - GATHERER DRIVE

Ref. No.	Part No.	Description	Qty. Req.	Ref. No.	Part No.	Description	Qty. Req.
01	7H73	FW 1-1/16 SPECIAL	AR	34	061845	CONNECTOR/STRAIGHT TUBE	8
02	H786B	SPRING/CLUTCH	1	35	061847	ADAPTER/BULKHEAD	8
03	H7126	WASHER/SHIM	AR		570009	FITTING/GREASE	8
04	H7165	WASHER	AR	36	061848	NUT/BULKHEAD ADAPTER	8
05	R027003	RETAINER/BEARING	8	37	061912	RETAINER/BEARING	4
06	H8381	SPACER/SPROCKET	2	38	061915	RETAINER/BEARING	2
07	B11067	BUSHING/ECCENTRIC	2	39	061916	RETAINER/BEARING	1
08	M12361	SPRING/BELT SUPPORT	2	40	061917	RETAINER/BEARING	1
09	124773	SPROCKET/IDLER (15T)	1	41	061918	RETAINER/BEARING	6
	650710	CS 5/8X2-1/4 (HN, LW, 4FW)	1	42	062225	LOCK/IDLER	8
10	044260	BEARING/BALL	3	43	062227	WIRE/GUIDE	2
11	045819	WASHER/SHIM	AR	44	062231	SPACER	4
12	046145	WASHER/SHIM	6	45	062261	BEARING/BALL 7/8 HEX	12
13	047560	SPACER	1	46	062335	WASHER	2
14	054353	WASHER	AR	47	062336	CLAMP	2
15	054493	WASHER	2	48	062741	SHIM/FLANGETTE	6
16	056827	SHAFT/OUTER	2	49	063333	RETAINER/BEARING	2
	655020	CP 3/16X1-1/2	4	50	063335	SPACER	2
17	056828	SHAFT/INNER-OUT ROW	2	51	063336	SHAFT/CROSS	1
	655020	CP 3/16X1-1/2	4	52	063337	SHAFT/JACK	1
18	056829	SHAFT/CENTER ROW	2	53	063338	GEAR/33T	1
	655020	CP 3/16X1-1/2	4	54	063339	YOKE/IDLER	2
19	056845	SPROCKET/IDLER (15T)	2	55	063343	GUARD/CROSS SHAFT	1
20	057048	GEAR/18T	1		650486	CS 5/16X3/4 (HN, LW, FW)	4
21	072783	FLANGE/20T DRIVER W/SHEAR (AFTER SN1009) (INCL 7)	1	56	063416	CLIP/GREASE LINE	1
	057052	CLUTCH/DRIVE (INCL 7) (BEFORE SN1010)	1	57	900014 _a	PACKAGE/SHEAR BOLT	3
22	057055	CLUTCH/DRIVEN (INCL 7) (BEFORE SN1010)	1	58	063583	SPRING/COMPRESSION	2
	057058	HUB/SHEAR	1	59	065637	SPROCKET/8T	6
24	057060	SPROCKET/14T	6	60	500220	CHAIN/ROLLER #60X70 LINKS (INCL CONNECTOR)	2
25	057068	RETAINER/BEARING	1	61	520065	BEARING/BALL	2
26	058189	FLANGE/GUARD SHAFT	4	62	520085	COLLAR/BEARING	2
27	058191	GUARD/SHAFT UPPER	4	63	084185	RETAINER/BEARING (AFTER SN1400)	4
28	058196	SPACER	2		072852	RETAINER/BEARING (AFTER SN1184) & BEFORE SN1401)	4
29	058211	STUD/IDLER	2		061916	RETAINER/BEARING (BEFORE SN1185)	4
30	058448	GEAR/DRIVER 17T	2		084186	RETAINER/BEARING (AFTER SN1400)	4
31	058449	GEAR/DRIVEN 17T	2		072851	RETAINER/BEARING (AFTER SN1184 & BEFORE SN1401)	4
32	059321	BUSHING/7K-2	2	64	084186	RETAINER/BEARING (AFTER SN1400)	4
33	080861	CONNECTOR/ELBOW (AFTER SN1400)	8		072851	RETAINER/BEARING (AFTER SN1184 & BEFORE SN1401)	4
	061844	NUT/HEX COMPRESSION (AFTER SN1184 & BEFORE SN1401)	8		061917	RETAINER/BEARING (BEFORE SN1185)	4
	061843	COUPLER/ANGLE SNAP ON (BEFORE SN1185)	8				

a) Includes (8) Shear Bolts & Lock Nuts.

TR338 - GATHERER



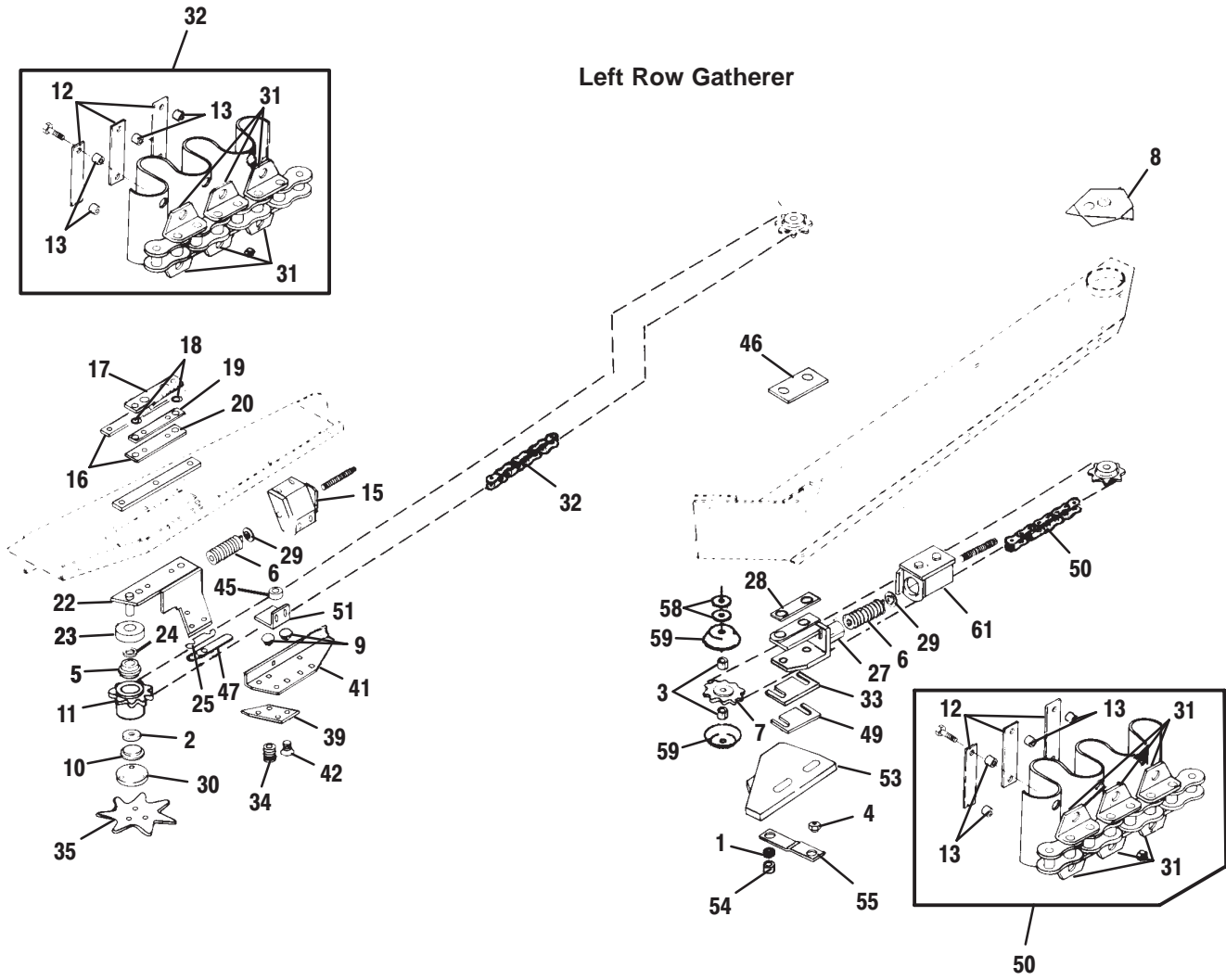
TR338 - GATHERER

Ref. No.	Part No.	Description	Qty. Req.	Ref. No.	Part No.	Description	Qty. Req.
01	080926	WASHER (AFTER SN1109)	2	30	058290	SHIM/ROTOR	AR
	7K73	WASHER (BEFORE SN1110)	2	31	058306	LINK/K18 CONNECTING	AR
02	H6208	WASHER	3	32	074646 _a	CHAIN/54 LINK GATHERER ASSY	2
	650494	CS 1/2X1 (LW)	3	33	058671	SHIM/CROP GUIDE	AR
03	041465	SPACER	6	34	058993	SCREW/ADJUSTING	6
04	046866	CAM/SCREENADJUSTMENT	3	35	059076	ROTOR/CUTTING	3
05	056670	BEARING	3		069171	SCREW/SPECIAL GR8 (LW)	9
06	056821	SPRING	6	36	059138	GUIDE/CROP CENTER	1
07	056849	SPROCKET/IDLER 10T	3	37	059142	HANGER	1
08	057049	DISC/GATHER BELT	2	38	073456	KNIFE/RIGHT	1
09	057066	NUT/KNIFE	6	39	073457	KNIFE/LEFT	2
10	057067	PLUG	3	40	059352	CARRIER/KNIFE RT	1
11	057072	SPROCKET/ROTOR 10T	3		650704	CB 3/8X1 (HN, LW, FW)	1
12	057079	CLIP/BELT GATHER (1 REQ'D W/ EACH LINK)	AR		650786	CB 3/8X1-1/4 (HN, LW)	3
	650448	CS 1/4X3/4 (LN)	AR		650860	CB 3/8X1-3/4 (HN, LW)	2
13	058095	SPACER/BELT GATHER (2 REQ'D W/ EACH LINK)	6	41	059353	CARRIER/KNIFE LT	2
	650426	CS 1/4X1-1/4 (HN, LW, 2FW)	2		650704	CB 3/8X1 (HN, LW, FW)	2
					650786	CB 3/8X1-1/4 (HN, LW)	6
14	058100	ANCHOR/RIGHT	1		650860	CB 3/8X1-3/4 (HN, LW)	4
	650487	CS 5/16X1 (HN, LW, FW)	2	42	059357	SCREW/TORX	6
	650847	SQHSS 5/8X4 (HN)	1	43	059358	WRENCH/TORX	1
15	058103	ANCHOR/LEFT	2	44	074650 _a	CHAIN/46 LINK GATHERER ASSY	2
	650487	CS 5/16X1 (HN, LW, FW)	4	45	060571	SPACER	3
	650847	SQHSS 5/8X4 (HN)	2	46	061028	PLATE/HANGER YOKE	3
16	058136	RAIL/SLIDE	6		650846	CS 5/8X6 (HN, LW, FW)	2
17	058137	HANGER/SLIDE	3		650162	CS 5/8X6-1/2 (HN, LW, FW)	1
	650585	CS 1/2X2 (LW)	6	47	061029	STRAP/HANGER	3
18	058138	SHIM/SLIDE	AR	48	061122	SPACER	1
19	058139	SLIDE	3	49	061690	SPACER/CROP GUIDE	6
	650692	CS 5/16X1-3/4 (LW)	6	50	074666 _b	CHAIN/68 LINK GATHERER ASSY	2
20	058140	SUPPORT/SLIDE	3	51	063320	HANGER	2
21	058141	CARRIER/RIGHT	1	52	063321	GUIDE/CROP RIGHT	1
22	058151	CARRIER/LEFT	2	53	063324	GUIDE/CROP UPPER LEFT	1
23	058155	SHIELD/ROTOR HUB	3	54	063327	SPACER	2
24	058156	SPACER/BEARING	3	55	063328	BRACE/OUTER CROP GUIDE	2
25	058159	SHIM/HANGER	AR	56	063329	BRACE/CENTER CROP GUIDE	1
26	058163	YOKE/RT GATHER IDLER	1	57	063332	ANCHOR/CTR GUIDE BRACE	1
	650577	CS 5/16X1-1/2 (HN, LW)	1	58	065756	WASHER	6
	652055	CB 3/8X2-1/4 (HN, LW)	1	59	065758	SHIELD/IDLER	6
27	058169	YOKE/LT GATHER IDLER	2	60	065833	ANCHOR/RT IDLER	1
	650577	CS 5/16X1-1/2 (HN, LW)	2		650847	SQHSS 5/8X4 (HN)	1
	650860	CB 3/8X1-3/4 (HN, LW)	1	61	065834	ANCHOR/LT IDLER	2
	652055	CB 3/8X2-1/4 (HN, LW, FW)	1		650847	SQHSS 5/8X4 (HN)	2
28	058173	SHIM/YOKE IDLER	6	62	066632	WRENCH/HEX	1
29	058199	PLUG/SPRING	6				

a) For repair of Belting, order 074644 (54 Links).

b) For repair of Belting, order 074664 (68 Links).

Left Row Gatherer



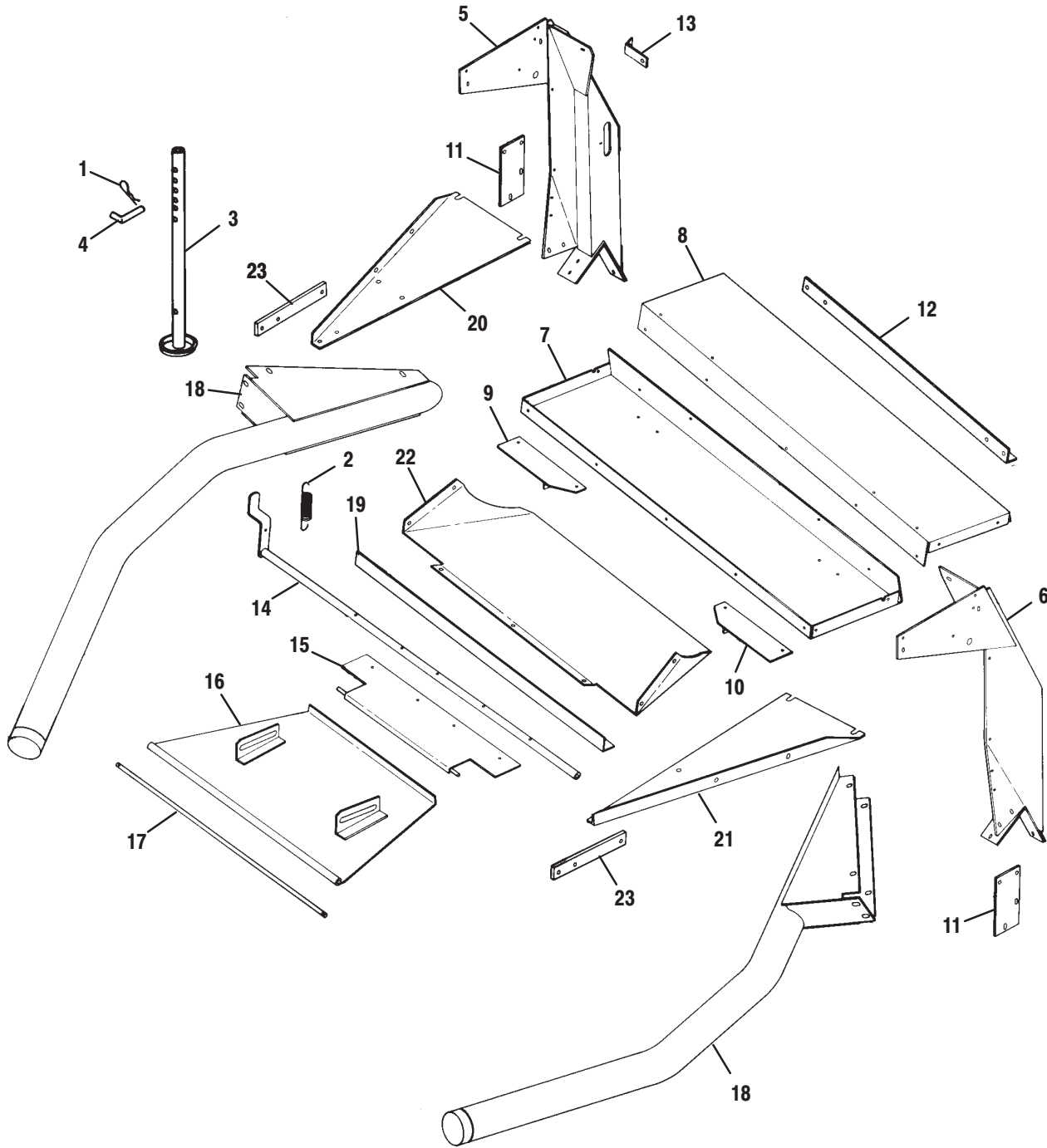
TR338 - GATHERER

Ref. No.	Part No.	Description	Qty. Req.	Ref. No.	Part No.	Description	Qty. Req.
01	080926	WASHER (AFTER SN1109)	2	30	058290	SHIM/ROTOR	AR
	7K73	WASHER (BEFORE SN1110)	2	31	058306	LINK/K18 CONNECTING	AR
02	H6208	WASHER	3	32	074646 _a	CHAIN/54 LINK GATHERER ASSY	2
	650494	CS 1/2X1 (LW)	3	33	058671	SHIM/CROP GUIDE	AR
03	041465	SPACER	6	34	058993	SCREW/ADJUSTING	6
04	046866	CAM/SCREENADJUSTMENT	3	35	059076	ROTOR/CUTTING	3
05	056670	BEARING	3		069171	SCREW/SPECIAL (LW)	9
06	056821	SPRING	6	36	059138	GUIDE/CROP CENTER	1
07	056849	SPROCKET/IDLER 10T	3	37	059142	HANGER	1
08	057049	DISC/GATHER BELT	2	38	073456	KNIFE/RIGHT	1
09	057066	NUT/KNIFE	6	39	073457	KNIFE/LEFT	2
10	057067	PLUG	3	40	059352	CARRIER/KNIFE RT	1
11	057072	SPROCKET/ROTOR 10T	3		650704	CB 3/8X1 (HN, LW, FW)	1
12	057079	CLIP/BELT GATHER (1 REQ'D W/ EACH LINK)	AR		650786	CB 3/8X1-1/4 (HN, LW)	3
	650448	CS 1/4X3/4 (LN)	AR	41	059353	CARRIER/KNIFE LT	2
13	058095	SPACER/BELT GATHER (2 REQ'D W/ EACH LINK)	6		650704	CB 3/8X1 (HN, LW, FW)	2
	650426	CS 1/4X1-1/4 (HN, LW, 2FW)	2		650786	CB 3/8X1-1/4 (HN, LW)	6
14	058100	ANCHOR/RIGHT	1	42	059357	SCREW/TORX	6
	650487	CS 5/16X1 (HN, LW, FW)	2	43	059358	WRENCH/TORX	1
	650847	SQHSS 5/8X4 (HN)	1	44	074650 _a	CHAIN/46 LINK GATHERER ASSY	2
15	058103	ANCHOR/LEFT	2	45	060571	SPACER	3
	650487	CS 5/16X1 (HN, LW, FW)	4	46	061028	PLATE/HANGER YOKE	3
	650847	SQHSS 5/8X4 (HN)	2		650846	CS 5/8X6 (HN, LW, FW)	2
16	058136	RAIL/SLIDE	6		650162	CS 5/8X6-1/2 (HN, LW, FW)	1
17	058137	HANGER/SLIDE	3	47	061029	STRAP/HANGER	3
	650585	CS 1/2X2 (LW)	6	48	061122	SPACER	1
18	058138	SHIM/SLIDE	AR	49	061690	SPACER/CROP GUIDE	6
19	058139	SLIDE	3	50	074666 _b	CHAIN/68 LINK GATHERER ASSY	2
	650692	CS 5/16X1-3/4 (LW)	6	51	063320	HANGER	2
20	058140	SUPPORT/SLIDE	3	52	063321	GUIDE/CROP RIGHT	1
21	058141	CARRIER/RIGHT	1	53	063324	GUIDE/CROP UPPER LEFT	1
22	058151	CARRIER/LEFT	2	54	063327	SPACER	2
23	058155	SHIELD/ROTOR HUB	3	55	063328	BRACE/OUTER CROP GUIDE	2
24	058156	SPACER/BEARING	3	56	063329	BRACE/CENTER CROP GUIDE	1
25	058159	SHIM/HANGER	AR	57	063332	ANCHOR/CTR GUIDE BRACE	1
26	058163	YOKE/RT GATHER IDLER	1	58	065756	WASHER	6
	650577	CS 5/16X1-1/2 (HN, LW)	1	59	065758	SHIELD/IDLER	6
	652055	CB 3/8X2-1/4 (HN, LW)	1	60	065833	ANCHOR/RT IDLER	1
27	058169	YOKE/LT GATHER IDLER	2		650847	SQHSS 5/8X4 (HN)	1
	650577	CS 5/16X1-1/2 (HN, LW)	2	61	065834	ANCHOR/LT IDLER	2
	650860	CB 3/8X1-3/4 (HN, LW)	1		650847	SQHSS 5/8X4 (HN)	2
	652055	CB 3/8X2-1/4 (HN, LW, FW)	1	62	066632	WRENCH/HEX	1
28	058173	SHIM/YOKE IDLER	6				
29	058199	PLUG/SPRING	6				

a) For repair of Belting, order 074644 (54 Links).

b) For repair of Belting, order 074664 (68 Links).

TR338 - DEFLECTOR



TR338 - DEFLECTOR

Ref. No.	Part No.	Description	Qty. Req.	Ref. No.	Part No.	Description	Qty. Req.
01	9H300	PIN/CONVEYOR LOCK	1	09	063359	HINGE/RT BAFFLE	1
02	U10063	SPRING/STOP DOG	1	10	063362	HINGE/LT BAFFLE	1
03	058292	STAND	1	11	063363	SUPPORT/REAR FENDER	2
04	058294	PIN\STAND	1	12	063368	STOP/PANEL THROAT	1
05	063344	SUPPORT/DEFLECTOR RT	1	13	063378	ANCHOR/BAFFLE SPRING	1
	650486	CS 5/16X3/4 (LW)	4	14	063379	PIVOT/PANEL THROAT	1
	650487	CS 5/16X1 (HN, LW, FW)	6	15	063382	SUPPORT/BAFFLE	1
	650490	CS 3/8X1 (HN, LW, FW)	1	16	063385	BAFFLE/DOWN CROP	1
06	063352	SUPPORT/DEFLECTOR LT	1	17	063388	PIN/BAFFLE HINGE	1
	650486	CS 5/16X3/4 (LW)	4	18	063417	DEFLECTOR/CROP	2
	650487	CS 5/16X1 (HN, LW, FW)	5	19	063421	ANGLE/CROP BUMPER	1
	650490	CS 3/8X1 (HN, LW, FW)	1	20	063422	ATTACH/RT CROP DEFLECTOR	1
07	063355	FRAME/DEFLECTOR	1	21	063423	ATTACH/LT CROP DEFLECTOR	1
08	063357	COVER/DEFLECTOR	1	22	063424	SHEET/CROP BUMPER	1
	650487	CS 5/16X1 (LW, FW)	7	23	064347	SHIELD/CROP DEFL ATTACH	2
	650527	CB 1/2X1-1/4 (HN, LW, FW)	2				

Index

D

Decal Application, 2
Decal Locations, 2-4

Deflector, 14-15
Divider, 6-7

G

Gatherer, 10-13

Gatherer Drive, 8-9

M

Main Frame, 4

TR338 - NUMERICAL INDEX

Part No.	Page No.	Ref. No.	Part No.	Page No.	Ref. No.	Part No.	Page No.	Ref. No.	Part No.	Page No.	Ref. No.
7H73	09	01	057066	13	09	058211	09	29	061690	13	49
7K73	11	01	057067	11	10	058236	07	05	061843	09	33
7K73	13	01	057067	13	10	058277	07	06	061844	09	33
6H130	07	01	057068	09	25	058286	07	07	061845	09	34
3E136	17	01	057072	11	11	058287	07	08	061847	09	35
9H300	15	01	057072	13	11	058290	11	30	061848	09	36
H786B	09	02	057073	07	04	058290	13	30	061912	09	37
H6208	11	02	057079	11	12	058292	15	03	061915	09	38
H6208	13	02	057079	13	12	058294	15	04	061916	09	39
H7126	09	03	058095	11	13	058302	02	03	061916	09	63
H7165	09	04	058095	13	13	058303	02	02	061917	09	40
H8381	09	06	058100	11	14	058306	11	31	061917	09	64
U10063	15	02	058100	13	14	058306	13	31	061918	09	41
B11067	09	07	058103	11	15	058448	09	30	062225	09	42
M12361	09	08	058103	13	15	058449	09	31	062227	09	43
R027003	09	05	058136	11	16	058671	11	33	062231	09	44
041465	11	03	058136	13	16	058671	13	33	062261	09	45
041465	13	03	058137	11	17	058993	11	34	062335	09	46
044116	07	02	058137	13	17	058993	13	34	062336	09	47
044260	09	10	058138	11	18	059076	11	35	062741	09	48
045819	09	11	058138	13	18	059076	13	35	063213	05	01
046145	09	12	058139	11	19	059138	11	36	063261	05	03
046866	11	04	058139	13	19	059138	13	36	063264	05	06
046866	13	04	058140	11	20	059142	11	37	063265	05	07
047560	09	13	058140	13	20	059142	13	37	063266	05	08
054353	09	14	058141	11	21	059272	07	49	063267	05	09
054493	09	15	058141	13	21	059321	09	32	063268	05	04
056670	11	05	058151	11	22	059352	11	40	063269	05	05
056670	13	05	058151	13	22	059352	13	40	063272	05	10
056821	11	06	058155	11	23	059353	11	41	063275	05	11
056821	13	06	058155	13	23	059353	13	41	063278	05	12
056824	07	03	058156	11	24	059357	11	42	063281	05	13
056827	09	16	058156	13	24	059357	13	42	063286	05	14
056828	09	17	058159	11	25	059358	11	43	063287	05	15
056829	09	18	058159	13	25	059358	13	43	063288	05	16
056845	09	19	058163	11	26	060571	11	45	063297	05	17
056849	11	07	058163	13	26	060571	13	45	063302	05	18
056849	13	07	058169	11	27	060989	02	05	063308	05	20
057048	09	20	058169	13	27	061028	11	46	063313	05	19
057049	11	08	058173	11	28	061028	13	46	063317	05	21
057049	13	08	058173	13	28	061029	11	47	063320	11	51
057052	09	21	058189	09	26	061029	13	47	063320	13	51
057055	09	22	058191	09	27	061122	13	47	063321	11	52
057058	09	23	058196	09	28	061122	11	48	063321	13	52
057060	09	24	058199	09	28	061122	13	48	063324	11	53
057066	11	07	058199	11	29	061201	02	04	063324	13	53
						061690	11	49	063327	11	54







TR338 - NUMERICAL INDEX

Part No.	Page No.	Ref. No.	Part No.	Page No.	Ref. No.	Part No.	Page No.	Ref. No.	Part No.	Page No.	Ref. No.
063327	13	54	063372	07	16	063414	07	37	068560	07	45
063328	11	55	063373	07	17	063415	05	25	068561	07	46
063328	13	55	063374	07	18	063416	09	56	068562	07	47
063329	11	56	063375	07	19	063417	15	18	072783	09	21
063329	13	56	063376	07	20	063421	15	19	072851	09	64
063332	11	57	063377	07	21	063422	15	20	072852	09	63
063332	13	57	063378	15	13	063423	15	21	073456	11	38
063333	09	49	063379	15	14	063424	15	22	073456	13	38
063335	09	50	063382	15	15	063583	09	58	073457	11	39
063336	09	51	063385	15	16	064060	07	38	073457	13	39
063337	09	52	063388	15	17	064061	07	39	073530	07	48
063338	09	53	063389	07	22	064347	15	23	074646	11	32
063339	09	54	063390	07	23	065637	09	59	074646	13	32
063343	09	55	063391	05	22	065756	11	58	074650	11	44
063344	15	05	063392	05	23	065756	13	58	074650	13	44
063352	15	06	063393	05	24	065758	11	59	074666	11	50
063355	15	07	063394	07	24	065758	13	59	074666b	13	50
063357	15	08	063397	07	25	065771	02	06	080861	09	33
063359	15	09	063399	07	26	065833	11	60	080926	11	01
063362	15	10	063400	07	27	065833	13	60	080926	13	01
063363	15	11	063401	07	28	065834	11	61	084185	09	63
063364	07	09	063402	07	29	065834	13	61	084186	09	64
063365	07	10	063403	07	30	066632	11	62	093445	02	07
063366	07	11	063408	07	31	066632	13	62	093499	02	01
063367	07	12	063409	07	32	067190	07	40	124773	09	09
063368	15	12	063410	07	33	067191	07	41	500220	09	60
063369	07	13	063411	07	34	068557	07	42	520065	09	61
063370	07	14	063412	07	35	068558	07	43	520085	09	62
063371	07	15	063413	07	36	068559	07	44	900014	09	57

TORQUE SPECIFICATIONS

NOTE: Use these torque values when tightening **GEHL** hardware (excluding: Locknuts and Self-tapping, Thread Forming and Sheet Metal Screws) unless specified otherwise.

All torque values are in Lb-Ft except those marked with an * which are Lb-In
(For metric torque value Nm, multiply Lb-Ft value by 1.355 or Lb-In value by 0.113)

Unified National Thread	Grade 2 		Grade 5 		Grade 8 	
	Dry	Lubed	Dry	Lubed	Dry	Lubed
8-32	19*	14*	30*	22*	41*	31*
8-36	20*	15*	31*	23*	43*	32*
10-24	27*	21*	43*	32*	60*	45*
10-32	31*	23*	49*	36*	68*	51*
1/4-20	66*	50*	9	75*	12	9
1/4-28	76*	56*	10	86*	14	10
5/16-18	11	9	17	13	25	18
5/16-24	12		19	14		20
3/8-16	20	15	30	23	45	35
3/8-24	23	17	35	25	50	
7/16-14	32	24	50	35	70	55
7/16-20	36	27	55	40	80	60
1/2-13	50	35	75	55	110	80
1/2-20	55	40	90	65	120	90
9/16-12	70	55	110	80	150	110
9/16-18	80	60	120	90	170	130
5/8-11	100	75	150	110	220	170
5/8-18	110	85	180	130	240	180
3/4-10	175	130	260	200	380	280
3/4-16	200	150	300	220	420	320
7/8-9	170	125	430	320	600	460
7/8-14	180	140	470	360	660	500
1-8	250	190	640	480	900	680
1-14	270	210	710	530	1000	740
Metric Course Thread	Grade 8.8 		Grade 10.9 		Grade 12.9 	
	Dry	Lubed	Dry	Lubed	Dry	Lubed
M6-1	8	6	11	8	13.5	10
M8-1.25	19	14	27	20	32.5	24
M10-1.5	37.5	28	53	39	64	47
M12-1.75	65	48	91.5	67.5	111.5	82
M14-2	103.5	76.5	145.5	108	176.5	131
M16-2	158.5	117.5	223.5	165.5	271	200

GEHL®

Gehl Company 143 Water Street, P.O. Box 179, West Bend, WI 53095-0179, U.S.A.