

BEFCO

Parts Manual

BSB

Sickle bar mowers

▶ Frame

▶ Blade Section

▶ Lift Section

▶ Driveline



MAINFRAME

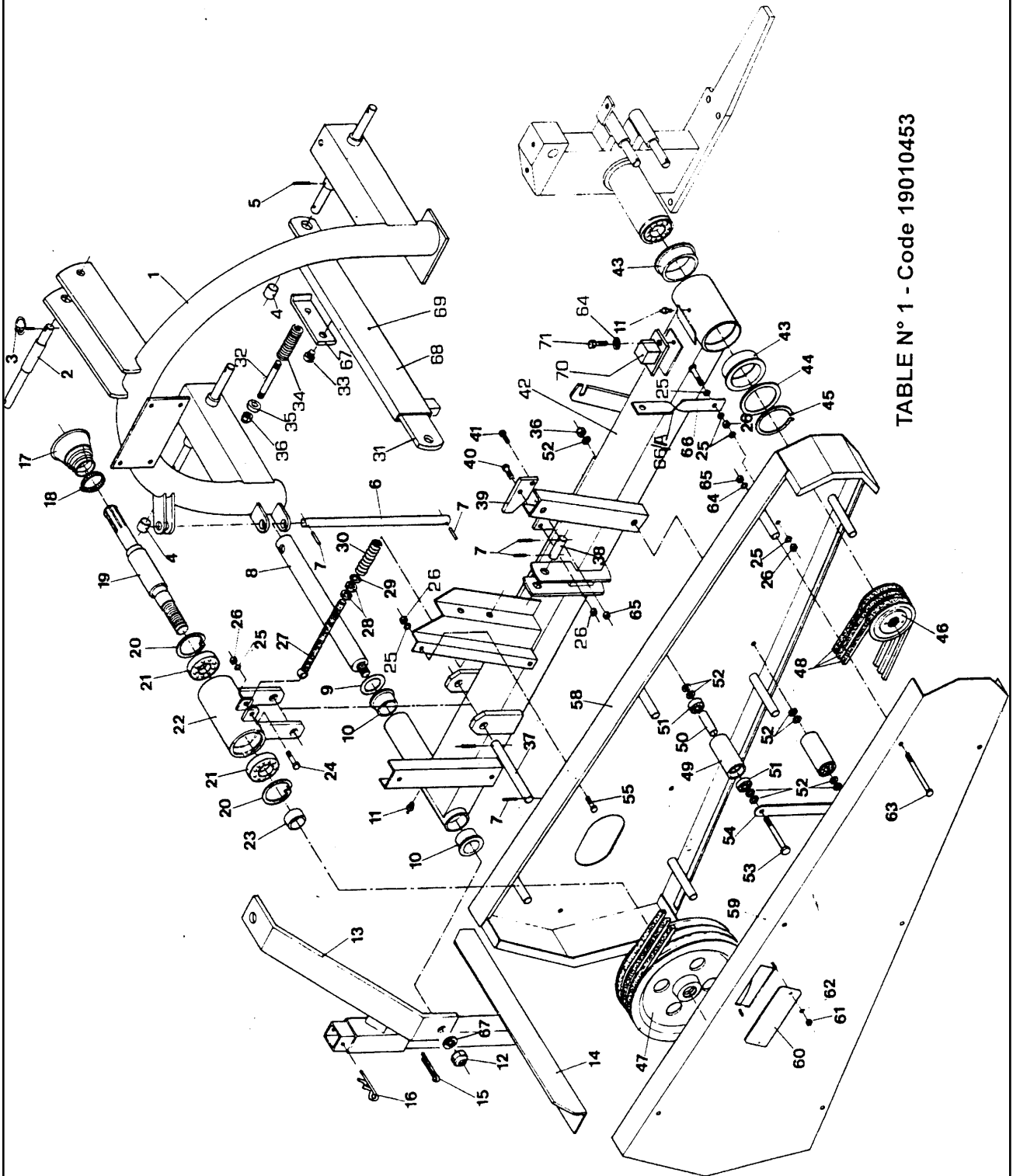


TABLE N° 1 - Code 19010453



MAINFRAME

ITEM#	PART#	DESCRIPTION
1	18031303	3 POINT HITCH ARCH
2	12310115	3 POINT HITCH PIN
3	12880614	PIN
4	12920101	BUSHING FOR PIN
5	004-6521	SPRING PIN 6 X 80
6	18031304	PIN
7	002-7290	SPRING PIN 6 X 30
8	12880832	FRAME SHAFT 40MM
9	503-390B	SHIM
10	9250005	BUSHING 40 X 60
11	3090101	GREASE ZERK
12	3020212	SELF LOCKING NUT 18MM
13	18031305	FOOT SUPPORT BRACKET
14	18031306	FOOT
15	3040117	SPLIT PIN 8 X 80
16	3040202	SPLIT PIN 5 X 100
17	9070104	PROTECTION GUARD
18	4010702	CLAMP 80-100
19	12880826	PTO SHAFT
20	002-5329	SNAP RING 72M IN
21	502-348B	BEARING 6207
22	12880828	PTO SUPPORT
23	12880808	SPACER 35MM
24	003-0155	BOLT 10 X 60
25	003-0327	FLAT WASHER 10MM
26	009-0182	NUT 10 MM
27	18031307	BELT STRETCHER TIE ROD
28	000-2366	NUT 16MM
29	000-8568	WASHER 16MM
30	11010620	SPRING 34MM
31	18031308	SAFETY RELEASE W/ SLOT
32	1280891	FASTENING TIE ROD
33	12880892	PIN 20MM
34	11011004	SPRING DISC
35	12880893	WASHER 45MM
36	005-0165	SELF LOCKING NUT 16MM
37	12880834	SUPPORT PIN 20MM
38	12880833	RELEASE PIN 20MM
39	18031309	RELEASE SUPPORT

MAINFRAME

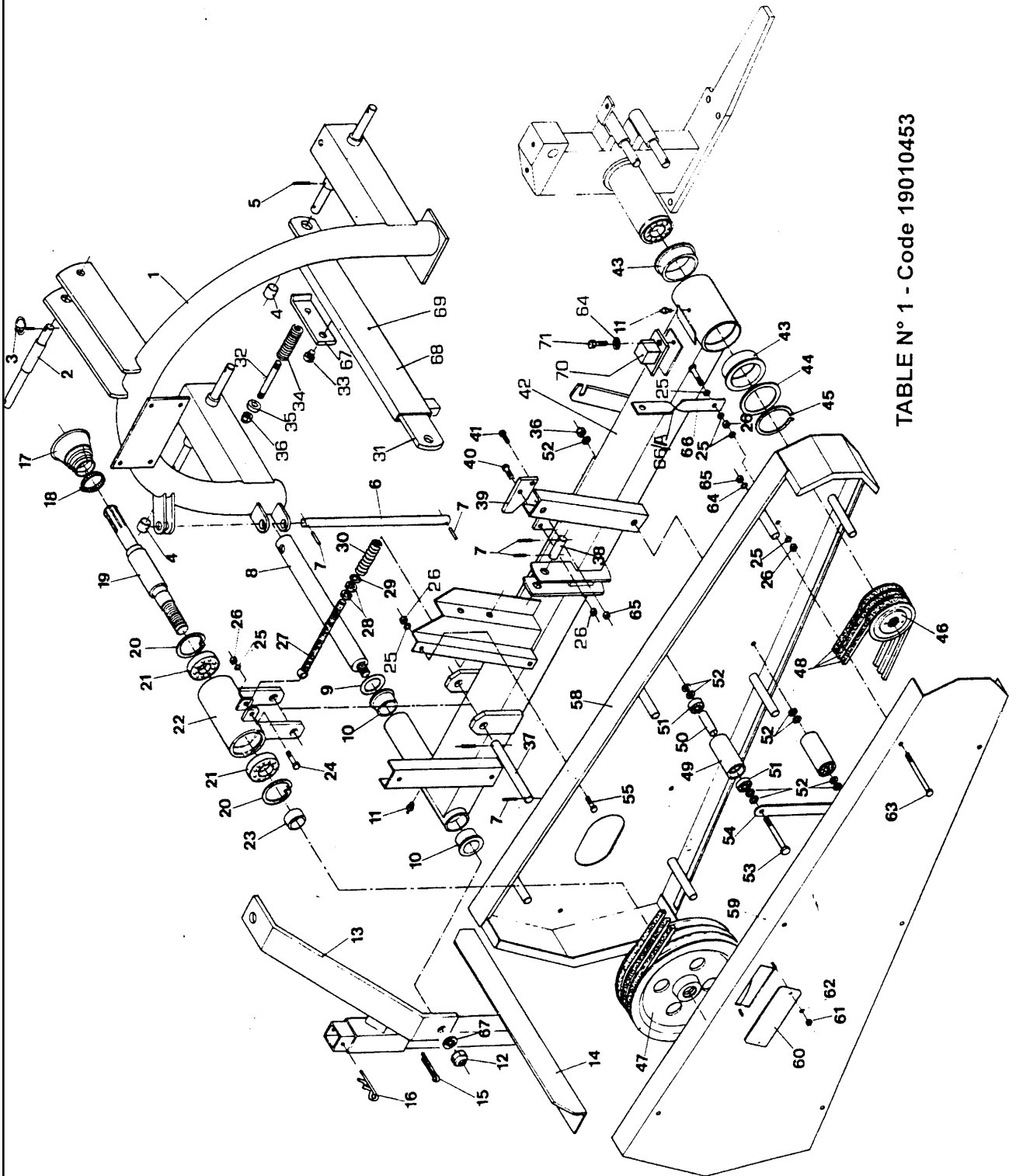


TABLE N° 1 - Code 19010453



MAINFRAME

ITEM#	PART#	DESCRIPTION
40	009-1281	BOLT 10 X 35
41	3011252	SAFETY BOLT 8 X 35
42	12880827	COMPLETE FRAME
43	9250003	BUSHING
44	1011546	WASHER 80 MM
45	3120133	SNAP RING 80MM
46	18031310	DRIVE PULLEY
47	18031311	DRIVING PULLEY
48	8020539	BELT
49	12880836	BELT GUIDE ROLLER
50	18031312	ROLLER SPACER
51	12240156	BEARING 6201
52	000-2265	12MM WASHER
53	009-1301	BOLT 12 X 120
54	18031313	ROLLERS SUPPORT
55	000-6349	BOLT 10 X 20
58	18031314	INTERNAL PROTECTION GUARD
59	18031315	EXTERNAL PROTECTION GUARD
60	1011424	CONTROL LEVER
61	005-0165	SELF LOCKING NUT 6MM
62	001-1209	WASHER 6MM
63	3010275	BOLT 8 X 120
64	001-5230	WASHER 8MM
65	009-1384	SELF LOCKING NUT 8MM
66	18031316	TIE ROD BRACKET
67	18031371	SAFETY ATTACHMENT
68	18031372	SLIDING TIE ROD
69	17310040	COMPLETE SAFETY RELEASE
70	18031375	STOP
71	3010250	BOLT 8 X 16



BLADE SECTION

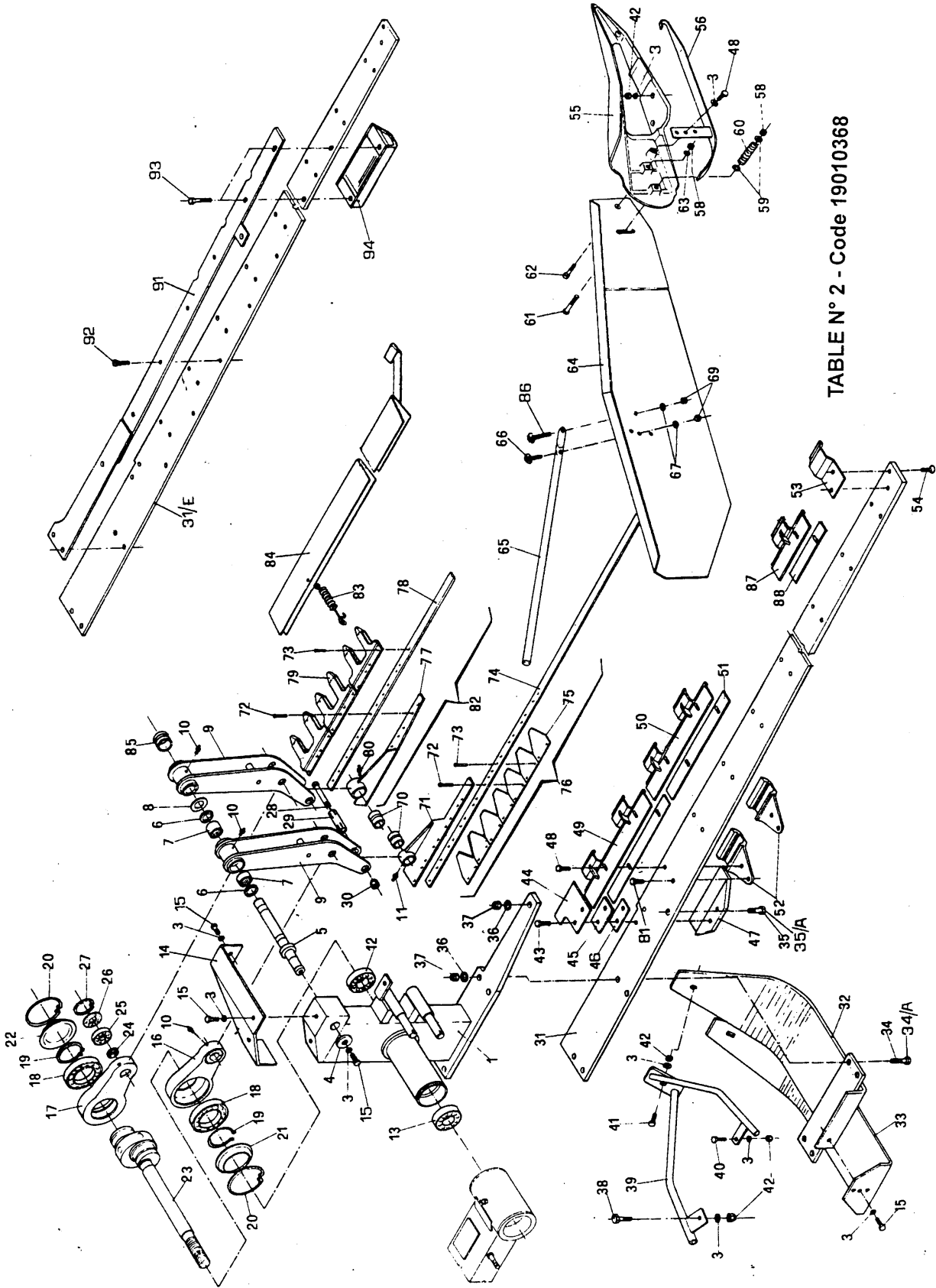


TABLE N° 2 - Code 19010368



BLADE SECTION

ITEM#	PART#	DESCRIPTION
1	12880817	SUPPORT
2	000-1278	BOLT 10 X 30
3	003-0327	FLAT WASHER 10 MM
4	12880810	WASHER 11X40X8
5	12880820	ARMS ATTACHMENT PIN
6	12260029	GROMMET
7	12070303	BUSHING HK2520
8	12280201	FIFTH WHEEL AS25421
9	12880818	ARM
10	3090101	GREASE ZERK
11	000-6635	GREASE ZERK 6MM
12	502-348B	BEARING 62072 RS(35.72.17)
13	005-0212	BEARING 63062 RS(30.72.19)
14	18031318	COVER
15	000-6349	BOLT 10 X 20
16	12880821	INTERNAL CONNECTOR
17	12880856	EXTERNAL CONNECTOR
18	12240158	BEARING 60133 2 RS
19	3120134	RETAINING RING E65
20	000-1087	RETAINING RING I 100
21	1011565	PROTECTION RING
22	1011564	TAP
23	18031319	SHAFT
24	12260030	GROMMET 20 X 28 X 4
25	12240157	BEARING 1304
26	10011701	CONNECTOR GASKET
27	3120111	SEEGER I52
28	503-643B	BOLT 10 X 60
29	180313621	BUSHING 20 MM
30	18031322	CONIC NUT 10 MM
31	12831384	BAR MOD 5 FOOT
	12880825	BAR MOD .6 FOOT
	12880824	BAR MOD. 7 FOOT
32	18031335	INTERNAL SKID
	12880873	INTERNAL SKID (BSB-005 ONLY)
33	12880823	EXTERNAL SKID
	12880874	EXTERNAL SKID (BSB-005 ONLY)



BLADE SECTION

ITEM#	PART#	DESCRIPTION
34	3011640	BOLT 14 X 60
35	002-9317	BOLT 14 X 50
36	11011003	CONIC WASHER 14 MM
37	3020215	SELF LOCKING NUT
38	009-1281	BOLT 10 X 35
39	18031323	SUPPORT PROTECTION
	18031366	SUPPORT PROTECTION (BSB-005)
40	003-3176	BOLT 10 X 25
41	3011284	BOLT 10 X 45
42	001-4106	SELF LOCKING NUT 10 MM
43	501-925B	BOLT 10 X 50
44	1011545	UPPER INTERNAL GUIDE
45	18031326	SHIM M12
46	1011562	SHIM 30 X 60 X 1
47	18031327	LOWER INTERNAL GUIDE
48	000-1608	BOLT 10 X 40
49	18031329	UPPER BLADE GUIDE
50	18031329	UPPER BLADE GUIDE
51	1011561	GUIDE SHIM THICKNESS5/10
52	18031330	LOWER BLADE GUIDE
53	18031331	EXTERNAL GUIDE
54	3010910	BOLT 10 X 50
55	18031324	EXTERNAL SHOE
56	18031332	LATERAL SKID
58	001-3345	SELF LOCKING NUT 12MM
59	000-2265	WASHER 12 MM
60	11010618	SPRING
61	001-5122	BOLT 12 X 90
62	003-0054	BOLT 12 X 50
63	000-2265	WASHER 12MM
64	18031325	LATERAL DEFLECTOR
65	18031336	DEFLECTOR TUBE
66	30101236	BOLT 8 X 70
67	001-5230	WASHER 8MM
68	11010622	SPRING
69	009-1384	SELF LOCKING NUT 8 MM
70	12880855	BUSHING 20 MM
71	12880847	BLADE SECTION HEAD
72	3220101	RIVET 6 X 19
73	3220102	RIVET 6 X 12



BLADE SECTION

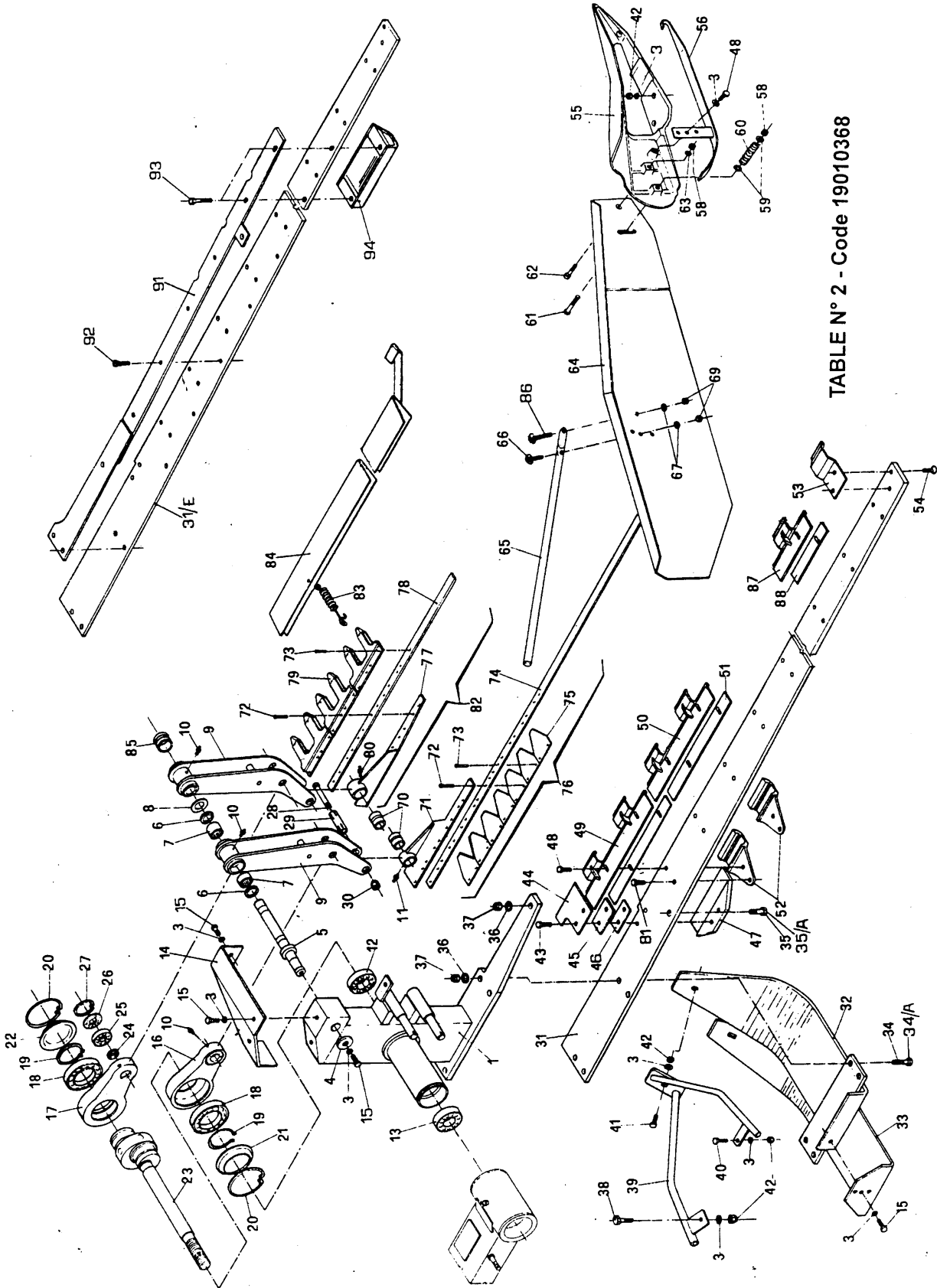


TABLE N° 2 - Code 19010368

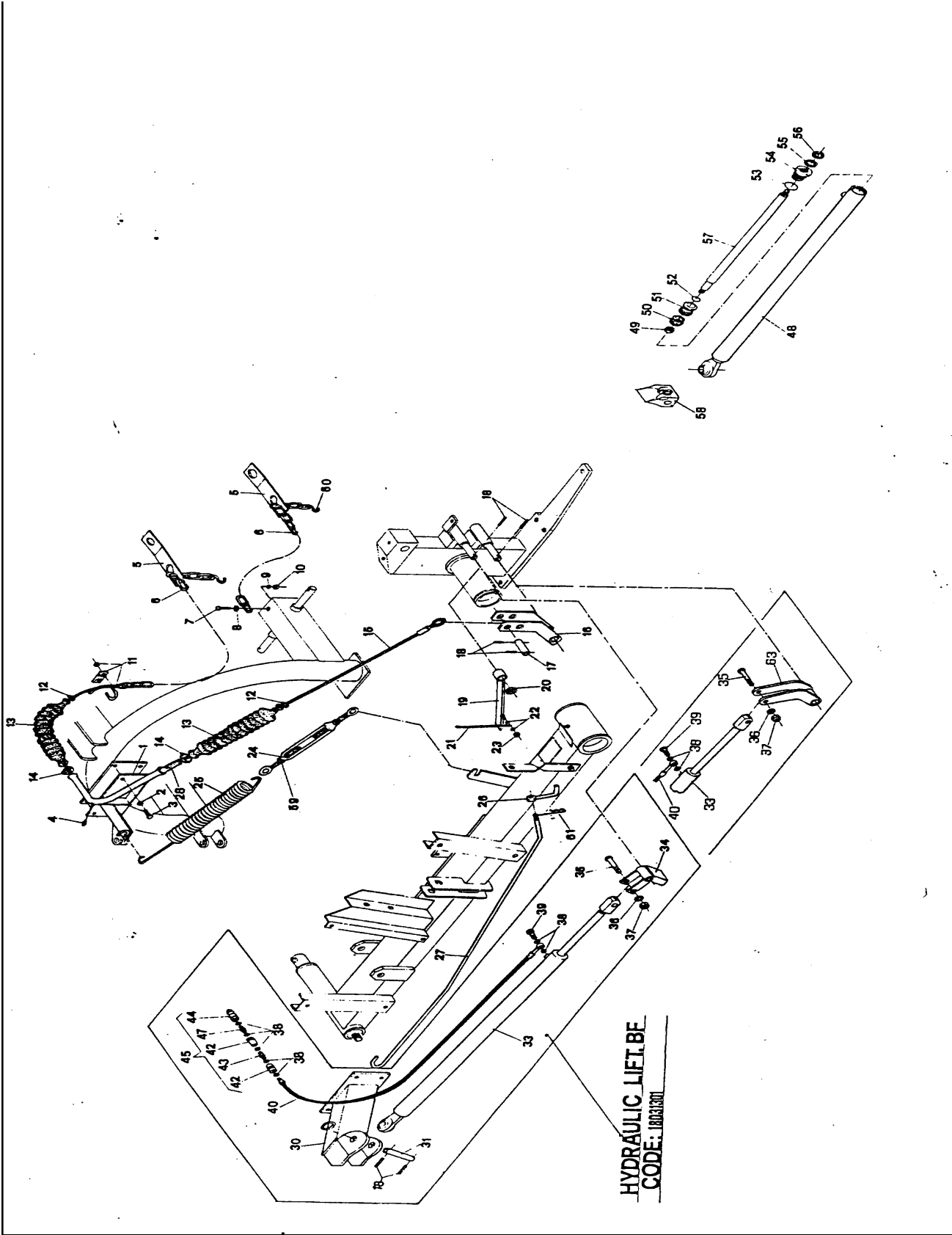


BLADE SECTION

ITEM#	PART#	DESCRIPTION
74	12880877	BLADE BAR MOD. 5 FOOT
	12880849	BLADE BAR MOD. 6 FOOT
	12880850	BLADE BAR MOD. 7 FOOT
75	12880853	BLADE SECTION
76	12880857	COMPL BLADE 20 SECTIONS (BSB-005)
	12880844	COMPL BLADE 24 SECTIONS (BSB-006)
	12880845	COMPL BLADE 28 SECTIONS (BSB-007)
77	12880848	BLADE TEETH HEAD
78	12880878	TEETH BAR MOD 5 FOOT
	12880851	TEETH BAR MOD. 6 FOOT
	12880852	TEETH BAR MOD. 7 FOOT
79	12880854	DOUBLE BLADE TOOTH
80	3090103	GREASE ZERK
81	000-1278	BOLT 10 X 30
82	12880859	10 TEETH RACK MOD 5 FOOT
	12880842	12 TEETH RACK MOD. 6 FOOT
	12880812	14 TEETH RACK MOD. 7 FOOT
83	11010523	PROTECTION SPRING
84	18031359	BLADE PROTECTION MOD 5 FOOT
	18031333	BLADE PROTECTION MOD. 6 FOOT
	18031334	BLADE PROTECTION MOD. 7 FOOT
85	18031345	SPACER
86	3010125	8 X 25 CARRAIGE BOLT



LIFT SECTION



HYDRAULIC_LIFT_BE
CODE: 100031001

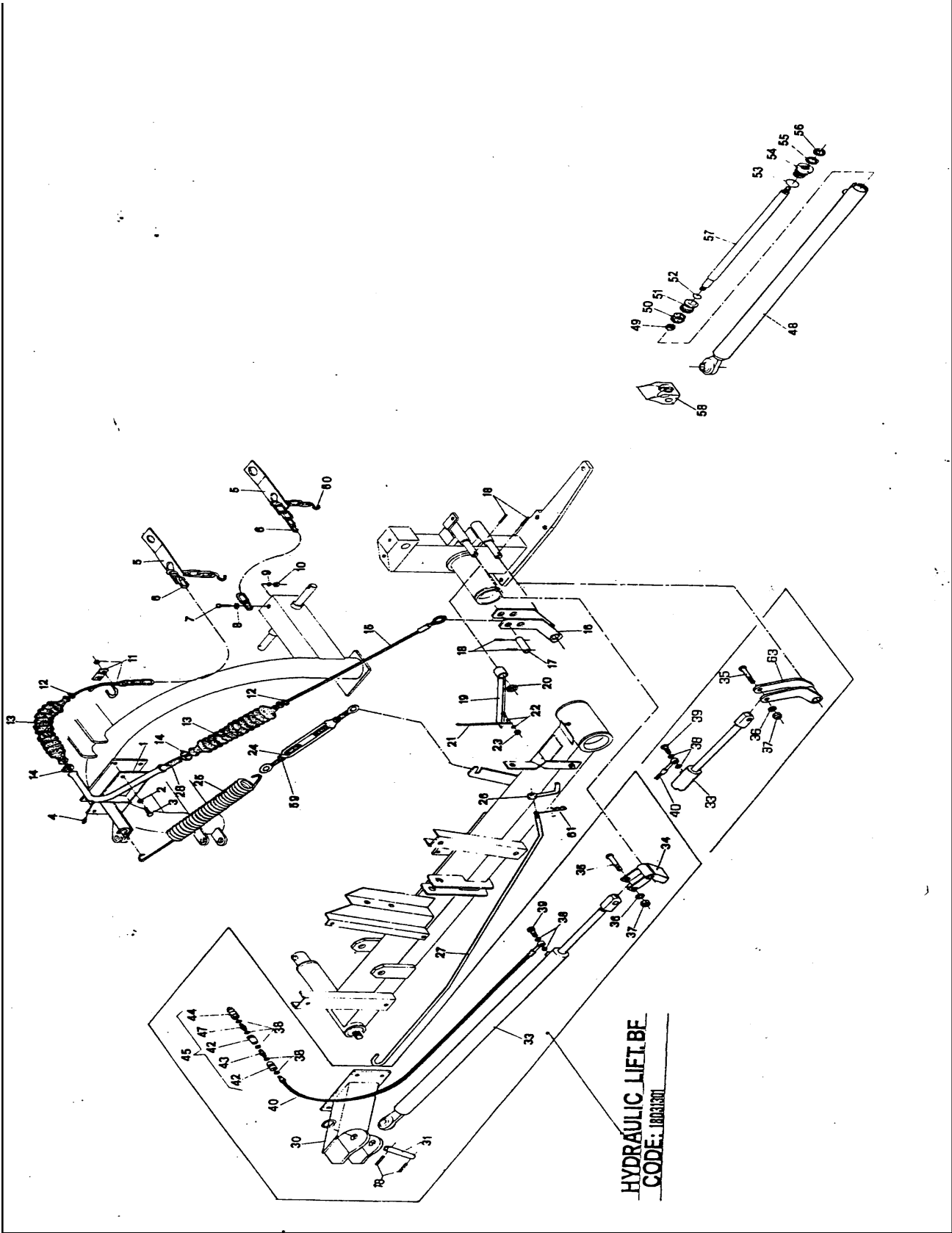


LIFT SECTION

ITEM#	PART#	DESCRIPTION
1	18031302	MECHANICAL LIFT
2	003-0327	WASHER 10 MM
3	003-3176	BOLT 10 X 25
4	3090101	GREASE ZERK
5	12880829	HITCH PLATE
6	3150107	CHAIN
7	002-3265	BOLT 12 X 40
8	12880813	WASHER 13 MM
9	000-2265	FLAT WASHER 12MM
10	001-3345	SELF LOCKING NUT 12 MM
11	3170103	HOLD FAST 8 MM
12	4010714	CLAMP 4.6-120
13	9070105	GUARD
14	4010710	CLAMP 25 40
15	12570102	LIFTING CABLE
16	18031337	LINK
17	12880833	PIN 20 MM
18	002-7290	SPRING PIN 6 X 30
19	18031338	LIFT FRAME LEDGE
20	12880843	SPACER 20.30.10
21	18031343	CHAIN
22	001-1209	WASHER 6 X 18
23	3020213	SELF LOCKING NUT 6MM
24	12880839	TURNBUCKLE
25	11010522	SPRING
26	18031339	NUT WITH HANDLE
27	18031340	TIE ROD
28	11010619	CABLE SPRING PASSAGE
30	18031341	HYDRAULIC CYLINDER ATT
31	12880815	PIN 20 X 91
33	12770801	COMPL HYD CYLINDER
34	18031342	FORK HINGE
35	009-1128	BOLT 14 X 65
36	009-1435	WASHER
37	001-5218	SELF LOCKING NUT 14 MM
38	3030406	COPPER WASHER
39	3011643	DRILLED SCREW 1/4"



LIFT SECTION



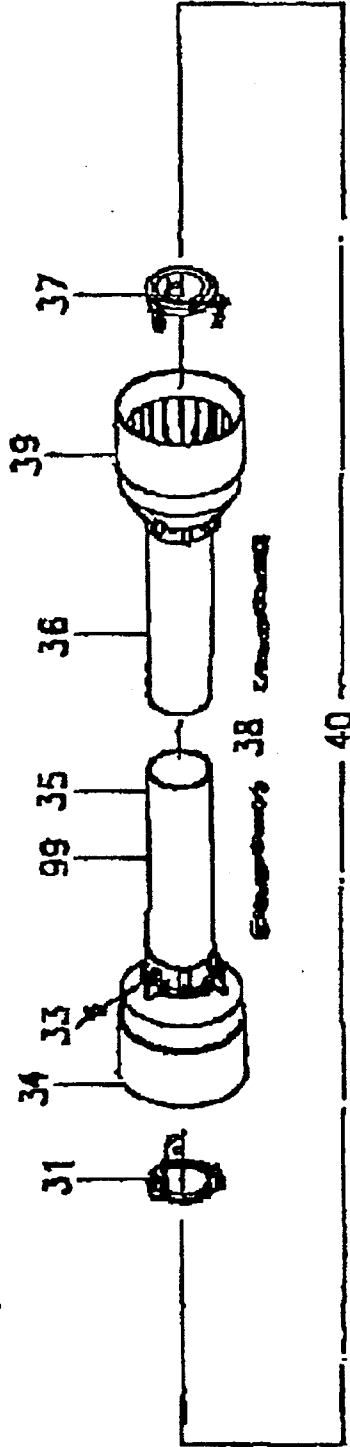
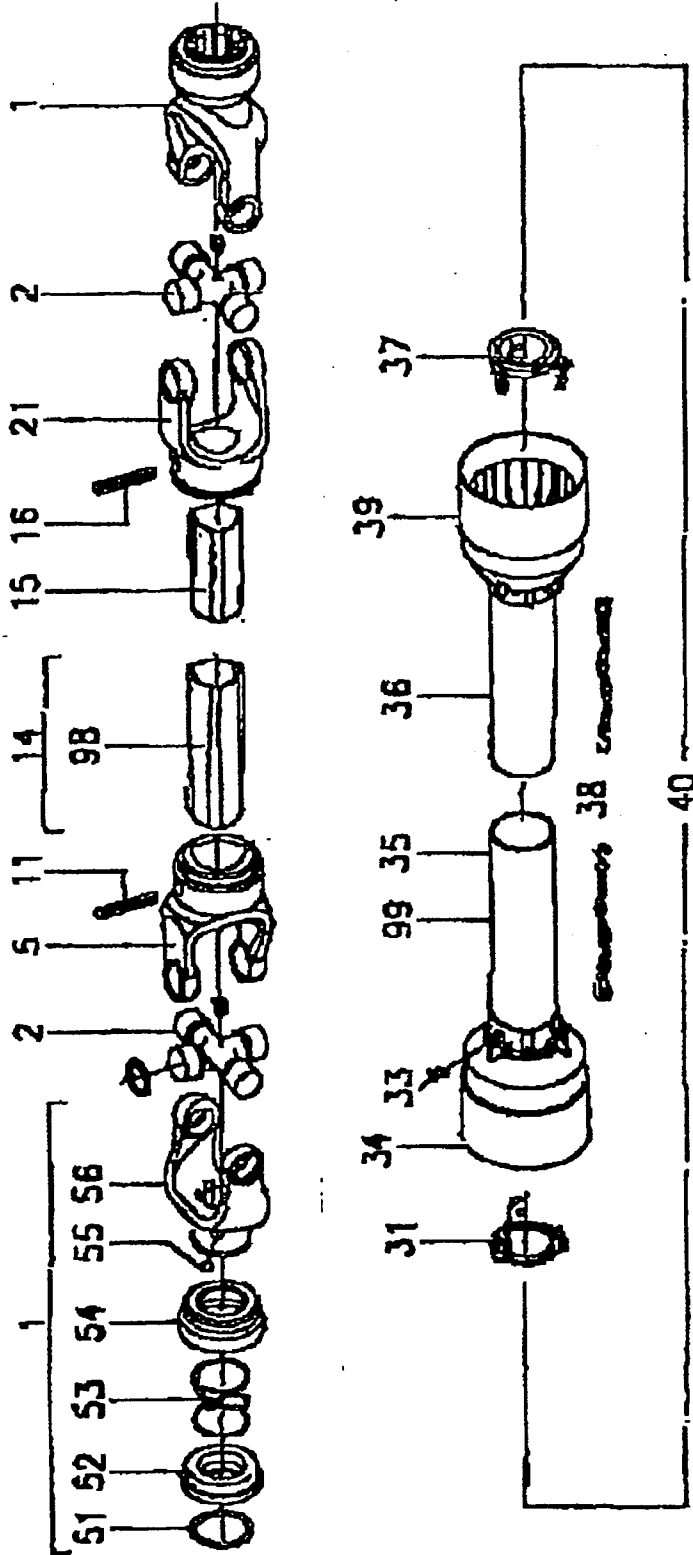
HYDRAULIC_LIFT.BE
CODE: 100031001



LIFT SECTION

ITEM#	PART#	DESCRIPTION
40	12760602	HYDRAULIC HOSE 1/4"
42	4020403	FLOW REGULATION VALVE
43	4010211	CONNECTOR
44	4011804	QUICK COUPLER
45	12760601	COMPL HYD. HOSE
47	4010212	PIPE NIPPLE 1/4"
48	12400201	CYLINDER 40 X 25
49	001-5218	SELF LOCKING NUT 14MM
50	10010661	GASKET
51	12410201	HEAD
52	10010665	GASKET
53	10010664	O-RING
54	12420201	RING NUT
55	10010662	GASKET
56	10010654	SCRAPER 25MM
57	12440201	SHAFT 25MM
58	10010663	COMPL. SEAL KIT
59	000-1019	HEX NUT 14MM
60	3170105	"S" HOOK
61	3040201	CLIP PIN 3 X 60
62	18031301	HYDRAULIC LIFT

DRIVELINE





DRIVELINE

ITEM#	PART#	DESCRIPTION
1	024-001E	Complete Collar Yoke
2	014-130E	Cross Journal Set
5	014-006E	Outer Yoke
11	000-014E	Roll Pin for Outer Tube
14	140-210E	Complete Outer Tube
15	140-110E	Inner Tube
16	000-012E	Roll Pin for Inner Tube
21	014-007E	Inner Yoke
31	013-012E	Guard Retaining Collar for Outer Tube
33	000-019E	Bolt
34	013-016E	Guard Cone Outer
35	141-177E	Female Tube Shield
36	141-273E	Male Tube Shield
37	013-011E	Guard Retaining Collar for Inner Tube
38	016-025E	Safety Chain
39	013-015E	Guard Cone Inner
40	230-815E	Complete Guard with Instruction Manual
51	000-451E	Outer Circlip
52	016-486E	Sliding Sleeve Collar
53	016-487E	Spring
54	016-483E	Fixed SLeeve
55	000-078E	Ball,, 1/2"
56	014-430E	Yoke C12
	948-406B	Complete Driveline