

This Manual Must Be Read Before Operating The Equipment

Owner / Operator's Manual

SNOWEX[®]

Spreaders for Snow & Ice Control

FOR MODEL

SideWalk-Pro SP-75



TRYNEEX[®]
INTERNATIONAL

CUSTOMER COPY

Warren, Michigan 48089

800-725-8377

Table of Contents

INTRODUCTION 3

REGISTRATION 3

SAFETY PRECAUTIONS 4

SPREADER PARTS/DIAGRAMS 5

- SIDEWALK PRO SP-75

ASSEMBLY INSTRUCTIONS 6-7

OPERATING THE SPREADER 8

SPREADER MAINTENANCE 9

WARRANTY 10

You have purchased a member of the **SnowEx Snow & Ice family**, an advanced concept in snow and ice control.

This manual has been designed for your help. It will assist you and instruct you on the proper set-up and use of this spreader.

We require that you read and understand the contents of this manual completely (especially all safety information) before attempting any procedure contained herein.

Trynex reserves the right to make any changes or improve the design of any parts and not be obligated to make changes on units previously sold.



THIS SIGN SHOULD ALERT YOU:

The Society of Automotive Engineers has adopted this **SAFETY ALERT SYMBOL** to pinpoint characteristics that, if **NOT** carefully followed, can create a safety hazard. When you see this symbol in this manual or on the machine itself, **BE ALERT!** Your personal safety and the safety of others is involved.

Defined below are the SAFETY ALERT messages and how they will appear in this manual:



WARNING

(ORANGE)

Information that, if not carefully followed, can cause serious personal injury or death!



CAUTION

(YELLOW)

Information that, if not carefully followed, can cause minor injury or damage to equipment.

Registration

Record the following information in this manual for quick reference.

Spreader Model Number _____

Date of Purchase _____

Dealer Where Purchased _____

When ordering parts, the above information is necessary. This will help to insure that you receive the correct parts.

Please fill out the warranty card with all the necessary information to validate it. This will also give us a record so that any safety or service information may be communicated to you.



Before attempting any procedure in this book, these safety instructions must be read and understood by all workers who have any part in the preparation or use of this equipment.

For your safety warning and information decals have been placed on this product to remind the operator of safety precautions. If anything happens to mark or destroy the decals, please request new ones from Trynex, International.



Remember most accidents are preventable and caused by human error. **Exercising of care and precautions must be observed to prevent the possibility of injury to operator or others!**



Never operate equipment when under the influence of alcohol, drugs, or medication that might alter your judgment and/or reaction time.



Before working with the spreader, secure all loose fitting clothing and unrestrained hair.



Always wear safety glasses with side shields when working metal against metal. Failure to do this could result in serious injury to the eyes.



Never allow children to operate or climb on equipment.
Never weld or grind on equipment without having a fire extinguisher available.
Always check areas to be spread to be sure no hazardous conditions or substances are in the area.
Always inspect unit for defects: broken, worn or bent parts, weakened areas on spreader or mount.



Always make sure personnel are clear of areas of danger when using equipment.



Remember it is the owner's responsibility to communicate information on safe usage and proper maintenance of all equipment.



Never use wet materials, or materials with foreign debris in the SP-75. This unit is designed to handle dry, clean, free-flowing material. **Note: Can not spread water softener salt.**



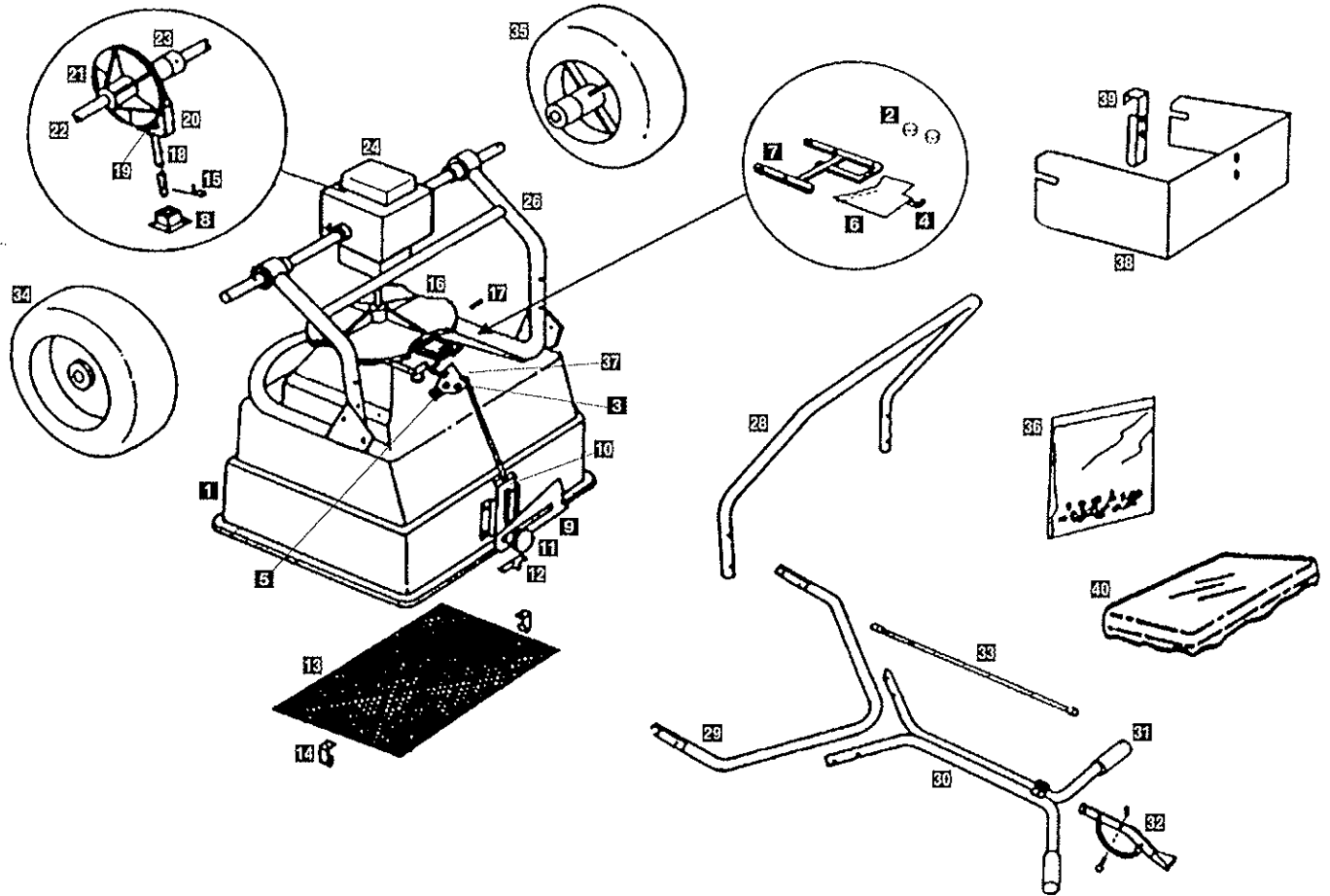
Never leave material in hopper for long periods of time. Be aware that all ice melters are hygroscopic and will attract atmospheric moisture and harden up.



Inspect the unit periodically for defects. Parts that are broken, missing, or worn out must be replaced immediately. The unit, or any part of it should not be altered without prior written permission from the manufacturer.

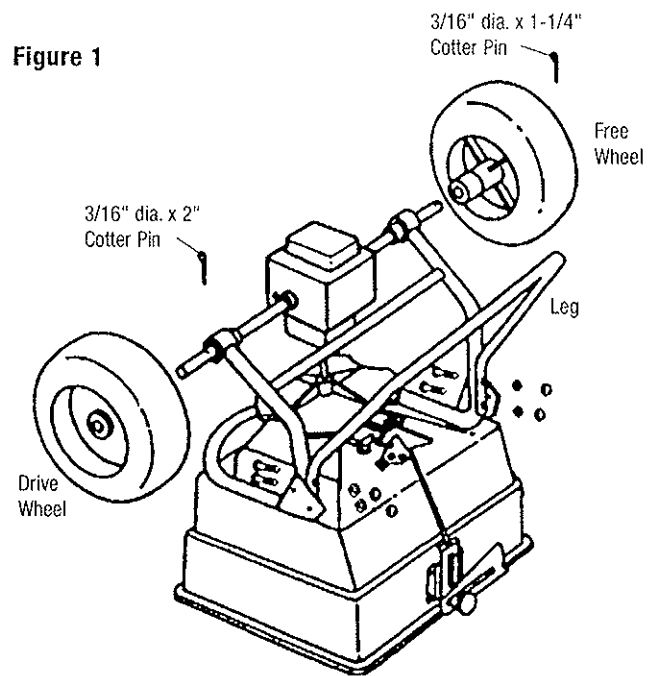
SideWalk Pro Spreader

Model #SP-75

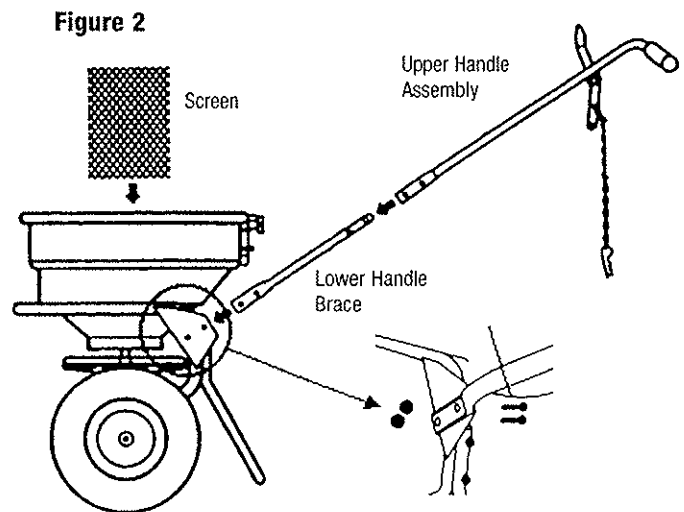


Key	Part No.	Description	Qty.	Key	Part No.	Description	Qty.	Key	Part No.	Description	Qty.
1	D6001	Hopper	1	15	D6016	Agitator	1	29	D6030	Lower Handle Brace	1
2	D6003	Hopper Hole Plug	2	16	D6017	Impeller Assembly	1	30	D6031	Upper Handle	1
3	D6004	Pivot Lever Assembly	1	17	D6018	Impeller w/Roll Pin*	1	31	D6032	Handle Grips	1
4	D6005	Shutoff Plate Link	1	18	D6019	Impeller Shaft*	1	32	D6033	Handle Lever Ass'y	1
5	D6006	Reinforcing Plate	1	19	D6020	Pinion Gear w/Roll Pin*	1	33	D6034	Control Tube	1
6	D6007	Shutoff Plate	1	20	D6021	Gear Support*	1	34	D6035	Drive Wheel w/Cotter	1
7	D6008	Shutoff Plate Guide	1	21	D6022	Axle Gear w/Roll Pin	1	35	D6036	Free Wheel w/Cotter Pin	1
8	D6009	Impeller Bearing Ass'y	1	22	D6023	Axle	1	36	D6037	Fastener Package	1
9	D6010	Rate Control Plate	1	23	D6024	Axle Collar	3	37	D6038	Adjusting Swivel	1
10	D6011	Spring Housing Ass'y	1	24	D6025	Gear Cover Complete	1	38	D6039	Deflector	1
11	D6012	Rate Knob w/Washer	1	25	D6026	Gear Cover Clamps	3	39	D6040	Deflector Bracket	1
12	D6013	Pointer w/Screw & Nut	1	26	D6027	Frame Ass'y w/Bearings	1	40	D6041	Hopper Cover	1
13	D6014	Hopper Screen	1	27	D6028	Axle Bearings	4				
14	D6015	Screen Clip	2	28	D6029	Leg w/Tube Caps	1				

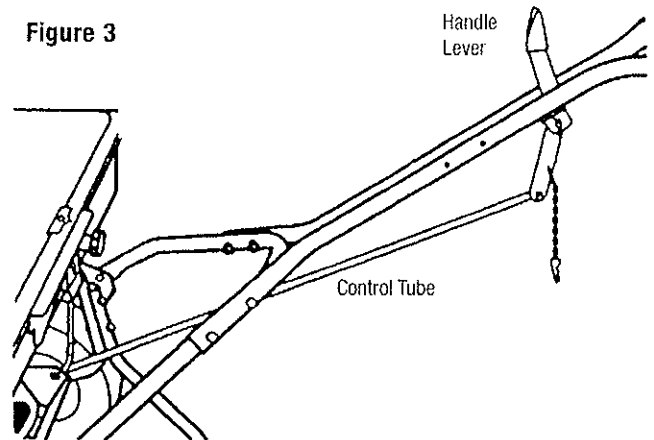
Step 1: Remove spreader and components from carton and place spreader upside down. Slide drive and free wheels on axle as shown in Figure 1 with the longer portion of wheel hub facing the frame. Secure free wheel with a 5/32 dia. x 1-1/4" cotter pin. Secure drive wheel to axle with 3/16" dia. x 2" cotter pin. Attach leg to frame as shown with (4) 1/4-20 x 2-1/4" hex bolts, lockwashers, and nuts. Tighten securely.



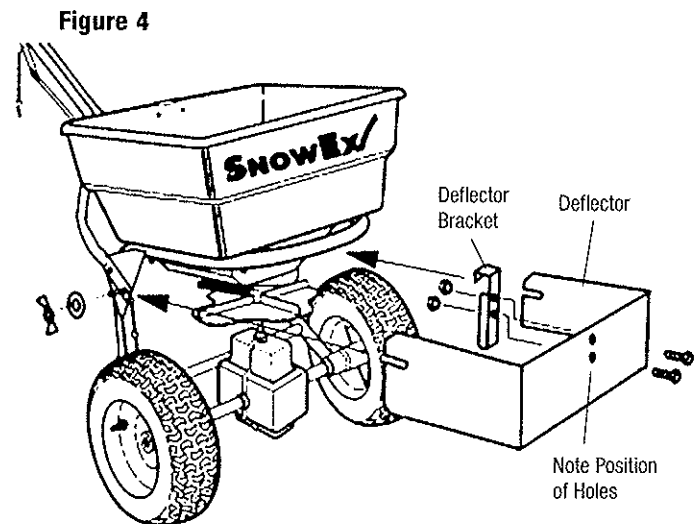
Step 2: Turn spreader upright on wheels and insert screen into hopper as shown in Figure 2. Attach lower handle brace to frame with (4) 1/4-20 x 1" hex bolts, lockwashers, and hex nuts. **INSERT BOLTS FROM THE INSIDE OF FRAME AS SHOWN.** Do not tighten bolts. Attach upper handle assembly to brace (make sure on/off lever is positioned as shown) using (4) 1/4-20 x 1-1/2" hex bolts, lockwashers and nuts. Tighten securely. Install handle grips onto upper handle.



Step 3: Slide handle lever between lever brackets as shown in Figure 3 and secure with 1/4 dia. clevis pin and 3/32 dia. x 5/8" cotter pin. Install on/off control tube to control lever using 1/4 dia. clevis pin and 3/32 dia. x 5/8" cotter pin. Remove tape holding the lower rod to the pivot lever and slide opposite end of control tube onto lower control rod. Secure with a 3/32 dia. cotter pin. **TIGHTEN ALL NUTS AND BOLTS LEFT LOOSE IN STEP #2.**



Step 4: Install deflector bracket to the **INSIDE** of deflector as shown in Figure 4 and secure with (2) #10-24 x 1/2" screws and locknuts. **NOTE POSITION OF HOLES IN THE DEFLECTOR WHEN INSTALLING THE BRACKET.** Tilt the front of the deflector up slightly and slide deflector onto bolts in frame and place the deflector bracket over the bumper bar on the spreader. Secure both sides on the deflector with a washer and wing nut. To remove, simply loosen the wing nuts and slide the deflector off. Retighten wing bolts.



Step 5: To check spreader for complete shutoff, pull the on/off control lever back to the "OFF" position. Determine if the hole in the hopper is completely closed. If it is not, loosen the brace/frame bolts and push down on the handle and front of spreader. Re-tighten bolts and check shutoff.

Operating the Spreader

- The spreader can be used with or without the deflector. With the deflector the overall swath width will be approximately 24" to 30". Without the deflector the spreader will throw most ice melt products 10 feet or more.
- Always fill the spreader on the driveway or sidewalk-not on the lawn. Make sure screen is in hopper and spreader is in the "OFF" position.
- Start spreader moving before opening port. Close before stopping. Always push spreader, NEVER PULL.
- Hold handles so top of spreader is level. Tipping the spreader too far can cause uneven spreading.
- When transporting spreader, make sure that it is in the "OFF" position. Make sure handle lever is locked using the hitch pin through the hole in lever.
- Empty spreader after each use. Return leftover material to its original container.

- Never store unused material in spreader. Return unused product to its original container.
- Wash spreader thoroughly after each use and dry completely in sun or heated area.
- Grease axle bearings in frame. Oil the impeller shaft bearing in hopper, pivot points on the shut-off plate and the spring in the housing behind the rate plate.
- Remove gear cover and wash gears thoroughly. Oil all bearing areas and lubricate gear teeth with dry graphite or oil. Re-install gear cover.
- Gear mesh should be checked on a regular basis during high use periods. Clearance between the axle gear and pinion gear should be minimal but not tight. If adjustment is necessary, loosen axle collar set screw and hold gears together. Slide axle collar against the gear support and tighten axle collar set screw. Spin drive wheel. Gears should run freely and smoothly. Re-install gear cover when finished.
- Impeller surface should be cleaned periodically to remove build-up of product. Build-up can cause the spread pattern to change.
- Tire pressure should be 20-25 PSI.
- **WARNING** – When servicing is necessary, perform it in a protected area. Do not use power tools in rain or snow because of danger of electrical shock or injury. Keep area well lighted. Use proper tools. Keep the area of service clean to help avoid accidents.
- **CAUTION** – When replacing parts, use only original manufacturer's parts. Failure to do so will void warranty.
- Paint or oil all bare metal surfaces at the end of the season.
- After first use, tighten all nuts and bolts on spreader and mount.

Limited Warranty

Trynex warrants to Purchaser the following:

1. Product will be free of defects in materials and workmanship for a period of one year from date of purchase.
2. The axle gear, gear support, pinion gear, axle, and axle bearings have a limited 2 year warranty to be free of defects in materials and workmanship.
3. Trynex will decide in its reasonable discretion if the part(s)/unit is defective.
4. The spreader or part(s) will be shipped to Trynex at the customer expense with a written description of defect to the attention of TRYNEX WARRANTY DEPARTMENT.
5. If the spreader is used for commercial rental the Limited Warranty shall be limited to a period of 90 days.
6. All unit and part replacement will be performed at the reasonable discretion of Trynex.
7. Labor charges are not covered and the unit need not be returned to the dealer for warranty service.
8. Proof of purchase must be supplied to Trynex.

Trynex's sole obligation under this warranty is limited to repairing or replacing the defective part. Upon replacement of any Product or Product part, the replaced item shall become the property of Trynex. If Trynex determines that the Product covered by this warranty requires service, Trynex shall prepay return shipping charges from Trynex. In all other instances, such charges shall be paid by Purchaser. Except for loss or damage caused by Trynex's negligence, Purchaser relieves Trynex of responsibility for all risks of loss or damage to the Product and its parts during the period the products are in transit to and from Trynex.

This warranty does not extend to any Product or parts thereof that have been allowed to corrode, subjected to misuse, neglect, accident, or modification by anyone other than Trynex or that have been affixed to any nonstandard accessory attachment or that have been used, stored, installed, maintained or operated in violation of Trynex's instructions or standard industry practice. No agent, employee or representative of Trynex has any authority to bind Trynex to any affirmation, representation or warranty concerning the Product and any affirmation, representation or warranty made by any agent, employee or representative shall not be enforceable by Purchaser.

THIS WARRANTY EXTENDS ONLY TO THE ORIGINAL PURCHASER AND IS EXPRESSLY IN LIEU OF ANY OTHER EXPRESS OR IMPLIED WARRANTIES, INCLUDING WITHOUT LIMITATION ANY IMPLIED WARRANTY OR MERCHANTABILITY OR FITNESS OR INTENDED USE FOR A PARTICULAR PURPOSE AND OF ANY OTHER OBLIGATION ON THE PART OF TRYNEX.

TRYNEX SHALL NOT BE LIABLE FOR ANY INCIDENTAL, SPECIAL OR CONSEQUENTIAL LOSS, DAMAGE OR EXPENSE DIRECTLY OR INDIRECTLY ARISING FROM THE USE OF ANY OF THE PRODUCT INCLUDING, BUT NOT LIMITED TO, DAMAGE OR LOSS OF OTHER PROPERTY OR EQUIPMENT, LOSS OF PROFITS OR REVENUE, COST OF CAPITAL, COST OF PURCHASED OR REPLACEMENT GOODS, OR CLAIMS OF CUSTOMERS OF PURCHASER.

Warranty Registration and Customer Survey



To initiate the warranty on your new SnowEx spreader and assure prompt warranty service, please complete the following warranty registration and customer survey, sign and mail it back to the factory within 30 days of purchase.

- 1) Date of Purchase: _____
- 2) Name: _____
Address: _____
Phone: _____

- 3) SnowEx Model Purchased: _____
- 4) Is this your first Trynex Spreader? Yes No
- 5) What type of material are you using in your spreader? _____
- 6) SnowEx Dealer Name: _____
SnowEx Dealer Address: _____
SnowEx Dealer Phone: _____

- 7) Does your Trynex Dealer stock Trynex replacement Parts? Yes No I don't know
- 8) Do you feel your Trynex Dealer sold you the correct product for your needs/application? Yes No
- 9) How would you rate your overall satisfaction with your SnowEx Dealer?

<input type="checkbox"/>	<input type="checkbox"/>	<input type="checkbox"/>	<input type="checkbox"/>	<input type="checkbox"/>	<input type="checkbox"/>
Very Satisfied	Satisfied	Somewhat Satisfied	Somewhat Dissatisfied	Dissatisfied	Very Dissatisfied
- 10) How would you rate your overall satisfaction with your SnowEx Product?

<input type="checkbox"/>	<input type="checkbox"/>	<input type="checkbox"/>	<input type="checkbox"/>	<input type="checkbox"/>	<input type="checkbox"/>
Very Satisfied	Satisfied	Somewhat Satisfied	Somewhat Dissatisfied	Dissatisfied	Very Dissatisfied

- 11) Would you purchase another Trynex Product? Yes No
- 12) Please use the space below to convey your comments and/or suggestions.

NOTE: I have read the owner's manual and all safety precautions and I understand that this equipment could be dangerous if not operated with care and under the proper conditions.

- 14) Owner's signature: X _____

PLEASE FOLD AND SEAL WITH TRANSPARENT TAPE BEFORE MAILING.

From:



Postage
Required
Post Office will
not deliver
without proper
postage.



23455 REGENCY PARK DR.
WARREN MI 48089-2667

