

This Manual Must Be Read Before Operating The Equipment

Owner / Operator's Manual



LEADERS IN ICE CONTROL

FOR MODEL

SP-100 Accu Pro



CUSTOMER COPY

Warren, Michigan 48089

800-725-8377

www.snowexproducts.com

Protected by the following patents, #6,089,478, #6,088,865, #Des.425,915
and other pending U.S. and foreign patent applications.

INTRODUCTION.....	3
GENERAL INFORMATION.....	4
REGISTRATION.....	4
SAFETY PRECAUTIONS.....	5-6
• PREPARATION	
• OPERATIONS	
• SERVICE	
SPREADER PARTS/DIAGRAMS.....	7-13
• SP-100 SPREADER MAIN ASSEMBLY	
• SP-100 INSTALLATION INSTRUCTIONS	
• SP-100 DRIVE ASSEMBLY	
• SP-100 ELECTRIC GATE ASSEMBLY	
WIRING INSTRUCTIONS.....	14-17
• WIRING DIAGRAM	
OPERATING THE SPREADER.....	18
TROUBLESHOOTING.....	19-20
SPREADER MAINTENANCE.....	21
WARRANTY.....	22-23

Have a question or need assistance?
SnowEx Customer Service
(800) 725-8377

or (586) 756-6555

Monday through Friday 8:00 AM to 4:30 PM EST

Fax: (586) 427-0552

E-Mail: customercare@trynexfactory.com

Website: www.snowexproducts.com

This manual has been designed for your help. It will assist you and instruct you on the proper set-up, installation and use of this spreader. Refer to the table of contents for an outline of this manual.

We require that you read and understand the contents of this manual completely (especially all safety information) before attempting any procedure contained herein. Extra copies of Owner/Operator Manuals can be purchased at your Snowex Dealer.



THIS SIGN SHOULD ALERT YOU:

The Society of Automotive Engineers has adopted this SAFETY ALERT SYMBOL to pinpoint characteristics that, if NOT carefully followed, can create a safety hazard. When you see this symbol in this manual or on the machine itself, BE ALERT! Your personal safety and the safety of others is involved.

Defined below are the SAFETY ALERT messages and how they will appear in this manual:



DANGER

(RED)

Information that, if not carefully followed, can cause death!



WARNING

(ORANGE)

Information that, if not carefully followed, can cause serious personal injury or death!



CAUTION

(YELLOW)

Information that, if not carefully followed, can cause minor injury or damage to equipment.

You have purchased a member of the Snowex family, an advanced concept in multi-purpose spreaders.

Our unique design allows many material spreading applications to be addressed. The modular concept allows multiple hitch applications using the same spreader attachments to meet different vehicle types and varied spreading requirements.

Your Spreader may be attached to many types of vehicles ranging from pick-up trucks, sport utilities, tractors, utility vehicles, etc.

The simplicity of construction using high quality steel and deluxe electrostatic finish requires minimal maintenance.

Our poly hopper with custom engineered frame structure, state-of-the-art electronic controller coupled with hi-torque drive assembly will give you ultimate performance and control when spreading.

Snowex reserves the right to make any changes or improve the design of any parts and not be obligated to make changes on units previously sold.

Registration

Record the following information in this manual for quick reference.

Spreader Model Number _____

Spreader Serial Number _____ Controller Serial Number _____

Date of Purchase _____

Dealer Where Purchased _____

When ordering parts, the above information is necessary. This will help to insure that you receive the correct parts.

At the right is a diagram of the ID tag. This tag on the spreader is located on the frame.



Please fill out the warranty card with all the necessary information to validate it. This will also give us a record so that any safety or service information may be communicated to you.



Before attempting any procedure in this book, these safety instructions must be read and understood by all workers who have any part in the preparation or use of this equipment.

For your safety warning and information decals have been placed on this product to remind the operator of safety precautions. If anything happens to mark or destroy the decals, please request new ones from Snowex.



Remember, most accidents are preventable and caused by human error. Exercising of care and precautions must be observed to prevent the possibility of injury to operator or others!



Never operate equipment when under the influence of alcohol, drugs, or medication that might alter your judgment and/or reaction time.



Before working with the spreader, secure all loose fitting clothing and unrestrained hair.



Always wear safety glasses with side shields when working metal against metal. Failure to do this could result in serious injury to the eyes.



Never allow children to operate or climb on equipment.
Never weld or grind on equipment without having a fire extinguisher available.
Always check areas to be spread to be sure no hazardous conditions or substances are in the area.
Always inspect unit for defects: broken, worn or bent parts, weakened areas on spreader or mount.



Always shut off vehicle and power source before attempting to attach or detach or service spreader unit. Be sure vehicle/power source is properly braked or chocked.




Always make sure personnel are clear of areas of danger when using equipment.





Always keep hands, feet, and clothing away from power-driven parts.





Remember, it is the owner's responsibility to communicate information on safe usage and proper maintenance of all equipment.

 **WARNING** Never exceed 45 m.p.h. when loaded spreader is attached to vehicle. Braking distances may be reduced and handling characteristics may be impaired at speeds above 45 m.p.h.

 **CAUTION** Never use wet materials, or materials with foreign debris in the SP-100. This unit is designed to handle dry, clean, free-flowing material. Note: Can not spread water softener salt.

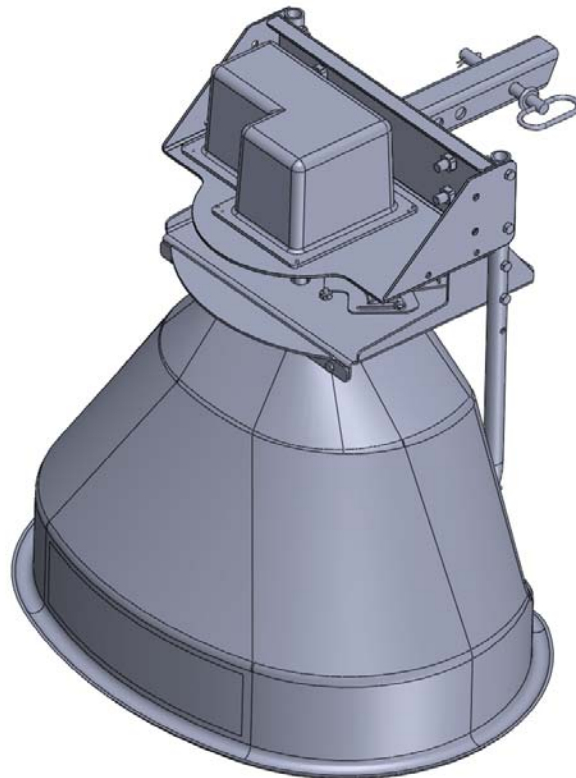
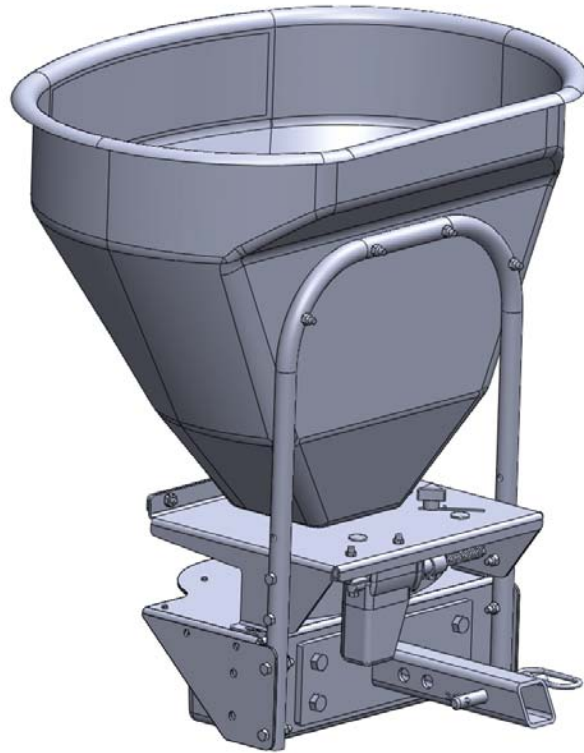
 **CAUTION** Never leave material in hopper for long periods of time. Be aware that all ice melters are hygroscopic and will attract atmospheric moisture and harden up.

 **WARNING** Always inspect pins, and latches whenever attaching or detaching spreader, and before traveling.

 **WARNING** Inspect the unit periodically for defects. Parts that are broken, missing, or worn out must be replaced immediately. The unit, or any part of it should not be altered without prior written permission from the manufacturer.

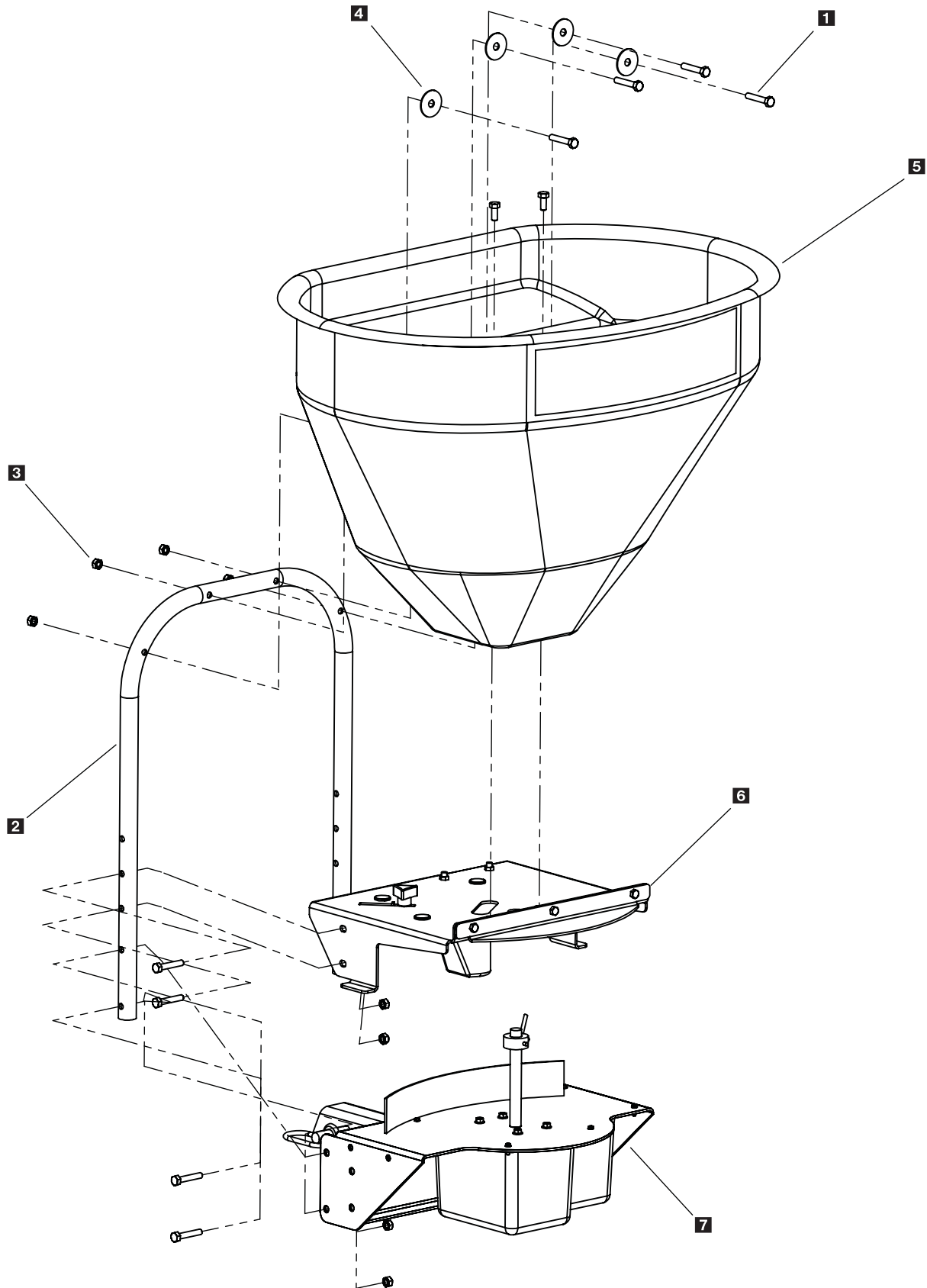
Assembly Views

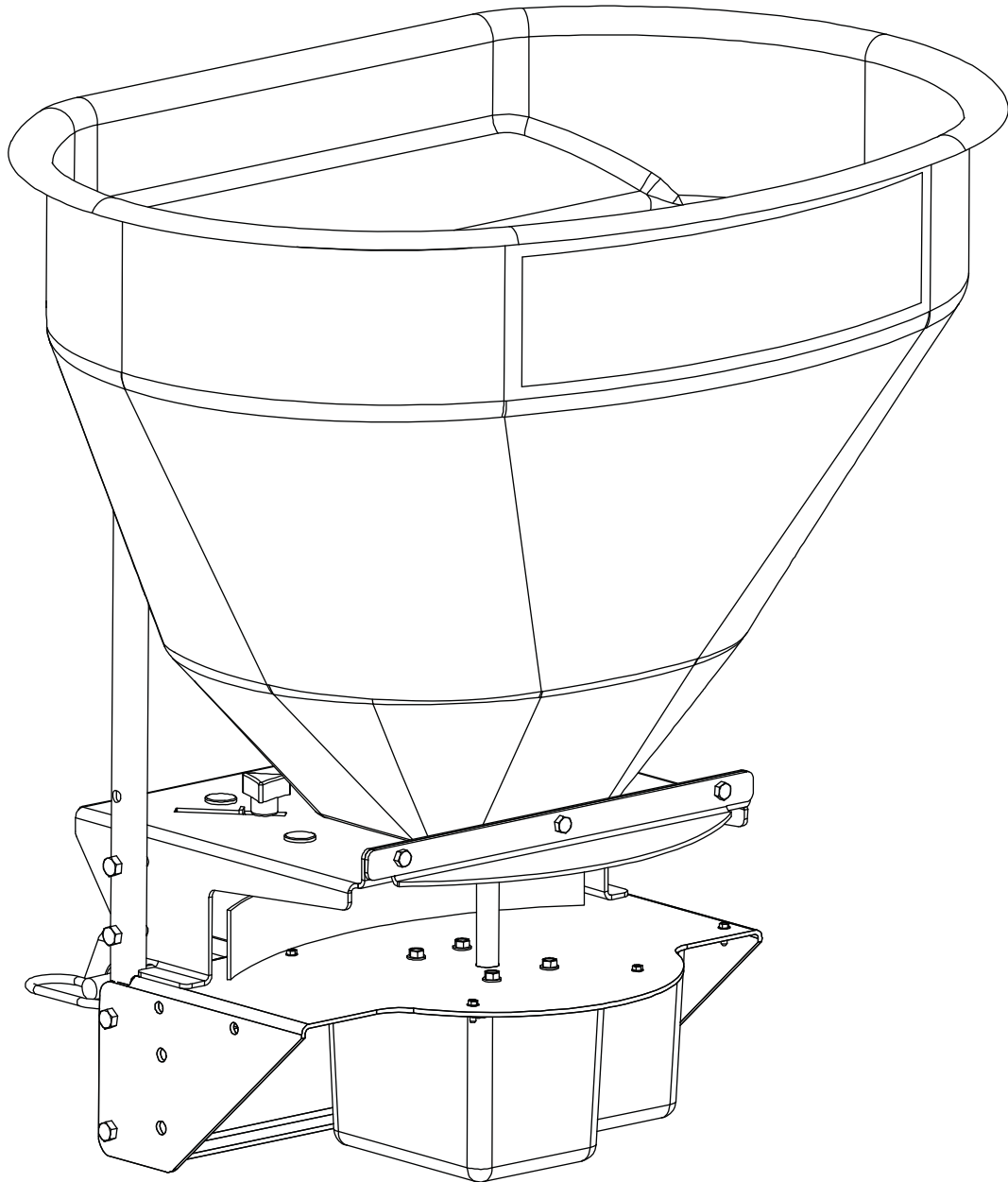
Model #SP-100



Exploded View

Model #SP-100

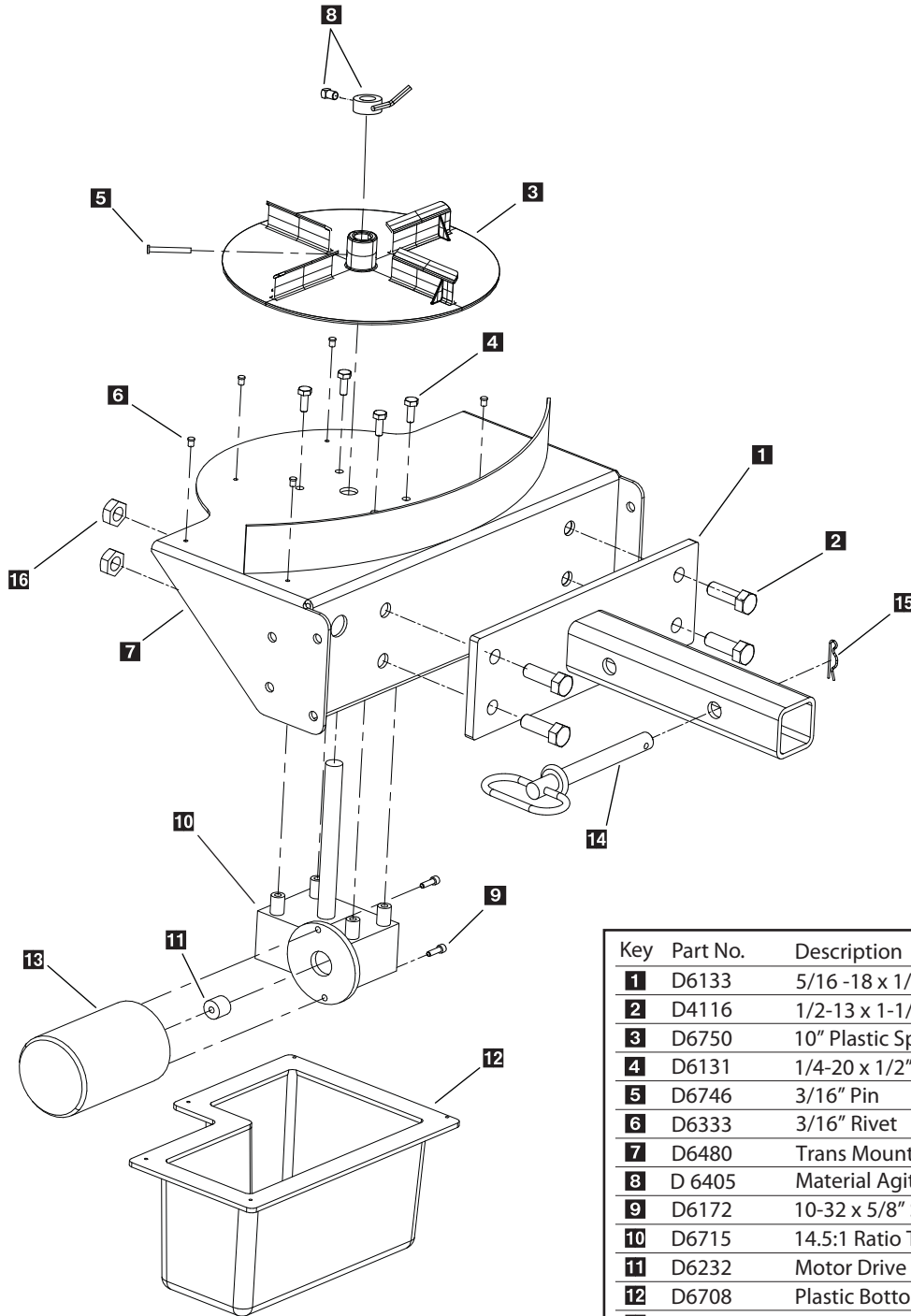




Key	Part No.	Description	Qty.
1	D 6462	5/16" - 18 x 1-3/4" HHCS	14
2	D 6712	Hopper Tube Support	1
3	D 6138	5/16" Lock Nut	14
4	D 4318	3/8" Fender Washer	4
5	D 6753	2.7 Cu/Ft Seeder Hopper Yellow	1
6		Electric Gate Assembly	1
7		Drive Assembly	1

Complete Drive Assembly Parts Breakdown

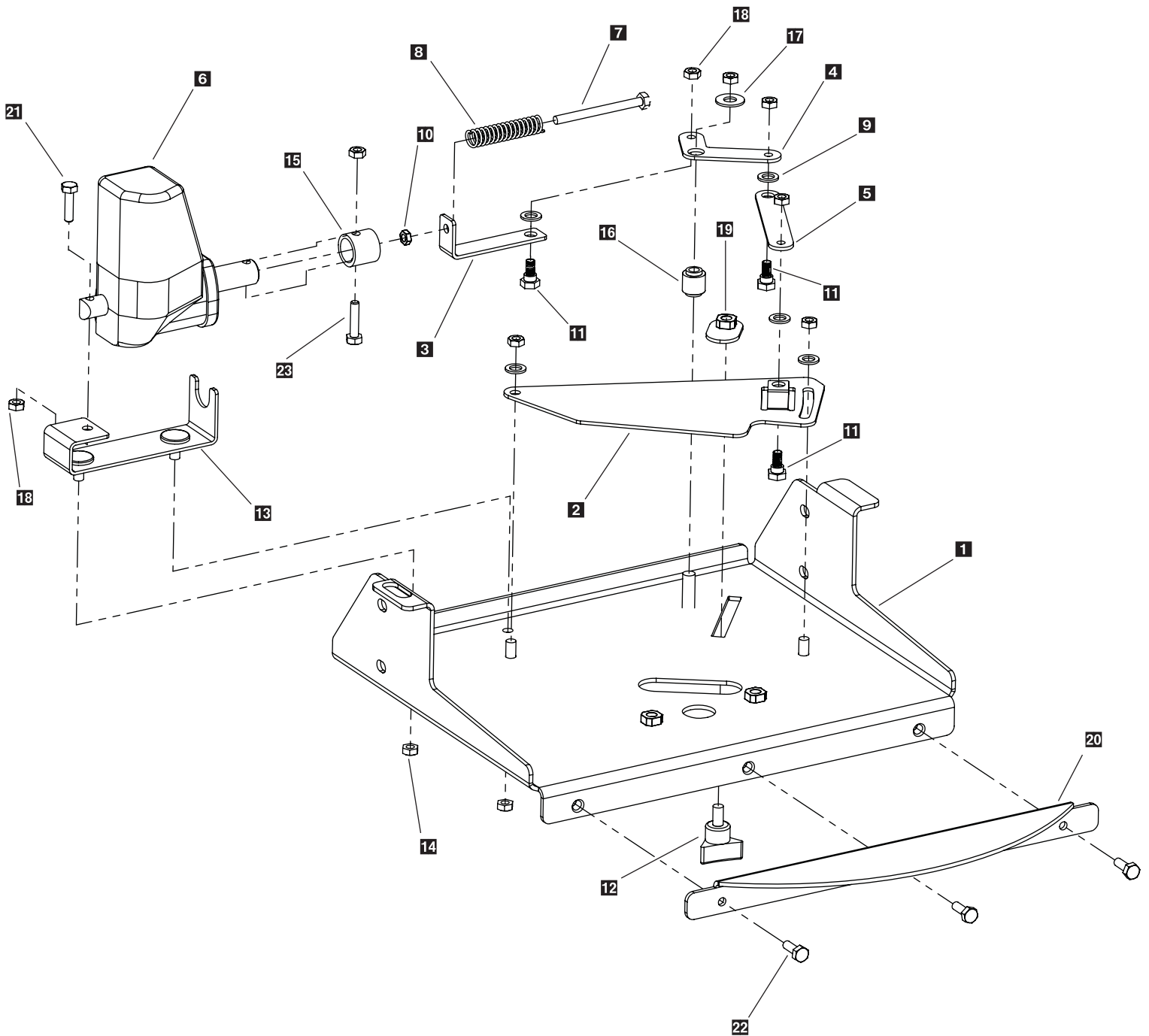
Model# SP-100



Key	Part No.	Description	Qty.
1	D6133	5/16 -18 x 1/2" Hex Bolt	1
2	D4116	1/2-13 x 1-1/2 Hex Head	4
3	D6750	10" Plastic Spinner	1
4	D6131	1/4-20 x 1/2" Serrated Flange SS	4
5	D6746	3/16" Pin	1
6	D6333	3/16" Rivet	5
7	D6480	Trans Mount Weldment	1
8	D 6405	Material Agitator	1
9	D6172	10-32 x 5/8" Serrated Flange Bolt	2
10	D6715	14.5:1 Ratio Transmission	1
11	D6232	Motor Drive Coupler	1
12	D6708	Plastic Bottom Cover	1
13	D6214	12 VDC Motor	1
14	D4133	Hitch pin	1
15	D4135	Hair Pin Clip	1
16	D6528	1/2-13 Serrated Flange Nut	4

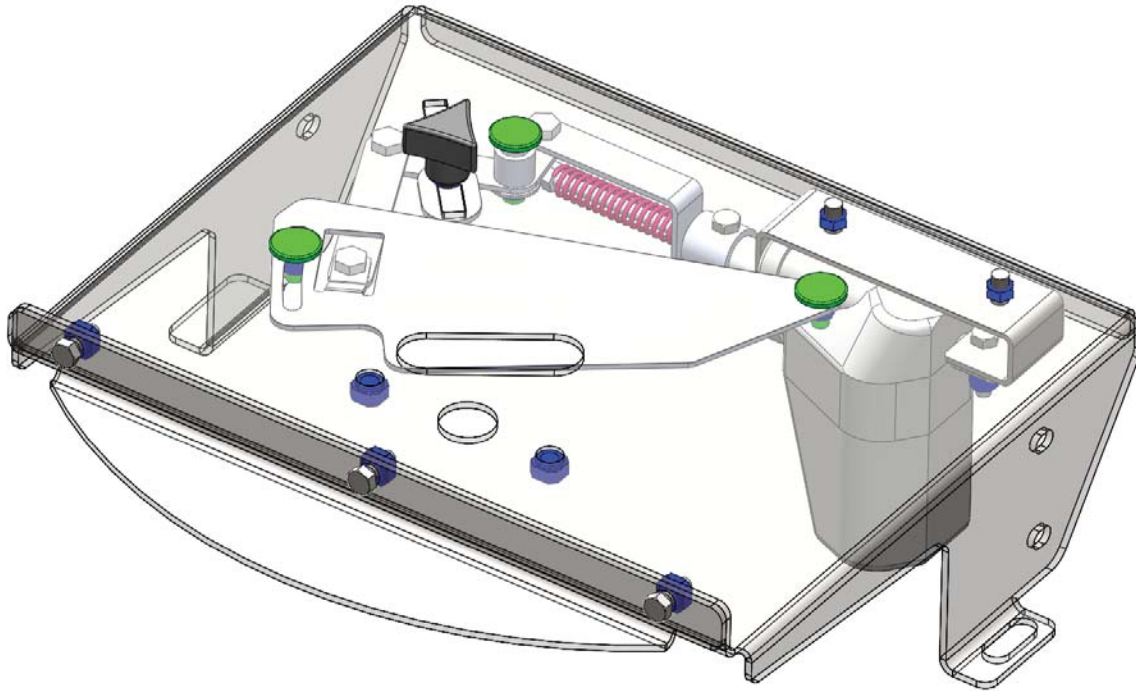
Electric Gate Control System

Model# SP-100



Gate Assembly

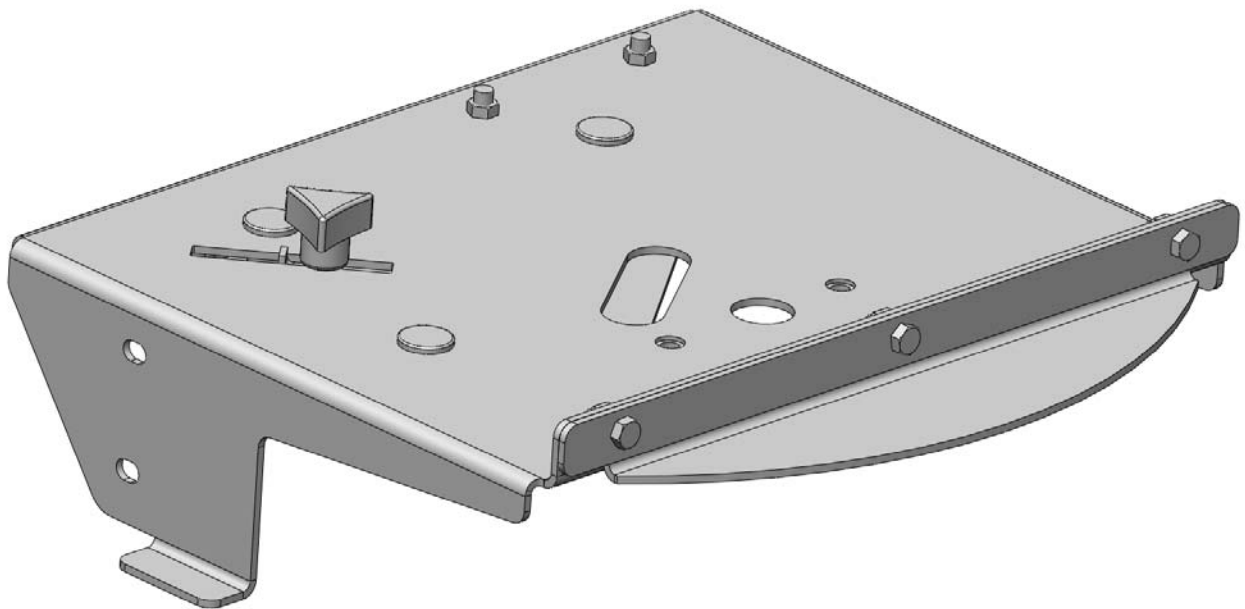
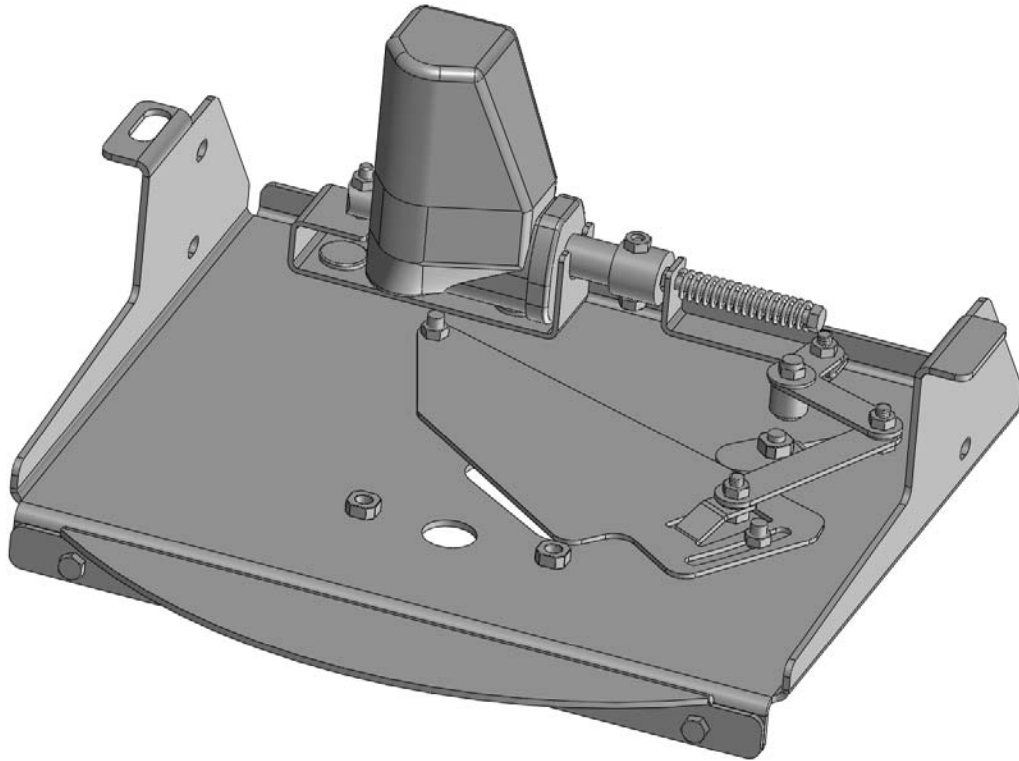
Model #SP-100



Key	Part No.	Description	Qty.
1	T-15093	Gate Deck	1
2	T-15092	Gate Slide	1
3	T-15086	Actuator Link Arm	1
4	T-15087	Pivot Arm	1
5	T-15088	Slide Link Arm	1
6	T-15082	Actuator	1
7	T-15095	1/4-20 x 2-3/4 HHCS Stainless Steel	1
8	T-15094	Compression Spring	1
9	T-15074	3/8 SAE Nylon Flat Washer	3
10	T-15096	1/4-20 Jam Nut Stainless Steel	1
11	T-15038	Shoulder Bolt	3
12	T-15029	Adjustment Knob	1
13	T-15090	Actuator Mounting Bracket	1
14	T-15018	5/16-18 Nylox	5
15	T-15089	Actuator Adapter	1
16	T-15037	Pivot Arm Spacer	1
17	T-15017	5/16 Nylon Flat Washer	3
18	T-15016	1/4-20 Nylox Stainless Steel	5
19	T-15091	Gate Stop	1
20	T-15079	CE Guard	1
21	T-30218	1/4-20 x 1-1/4 Phil Pan Head MS 18-8 SS	2
22	D-6131	1/4-20 x 1/2 Serrated Flange Bolt	3
23	T-30726	1/4-20 x 1-1/2 Hex Head Stainless	1

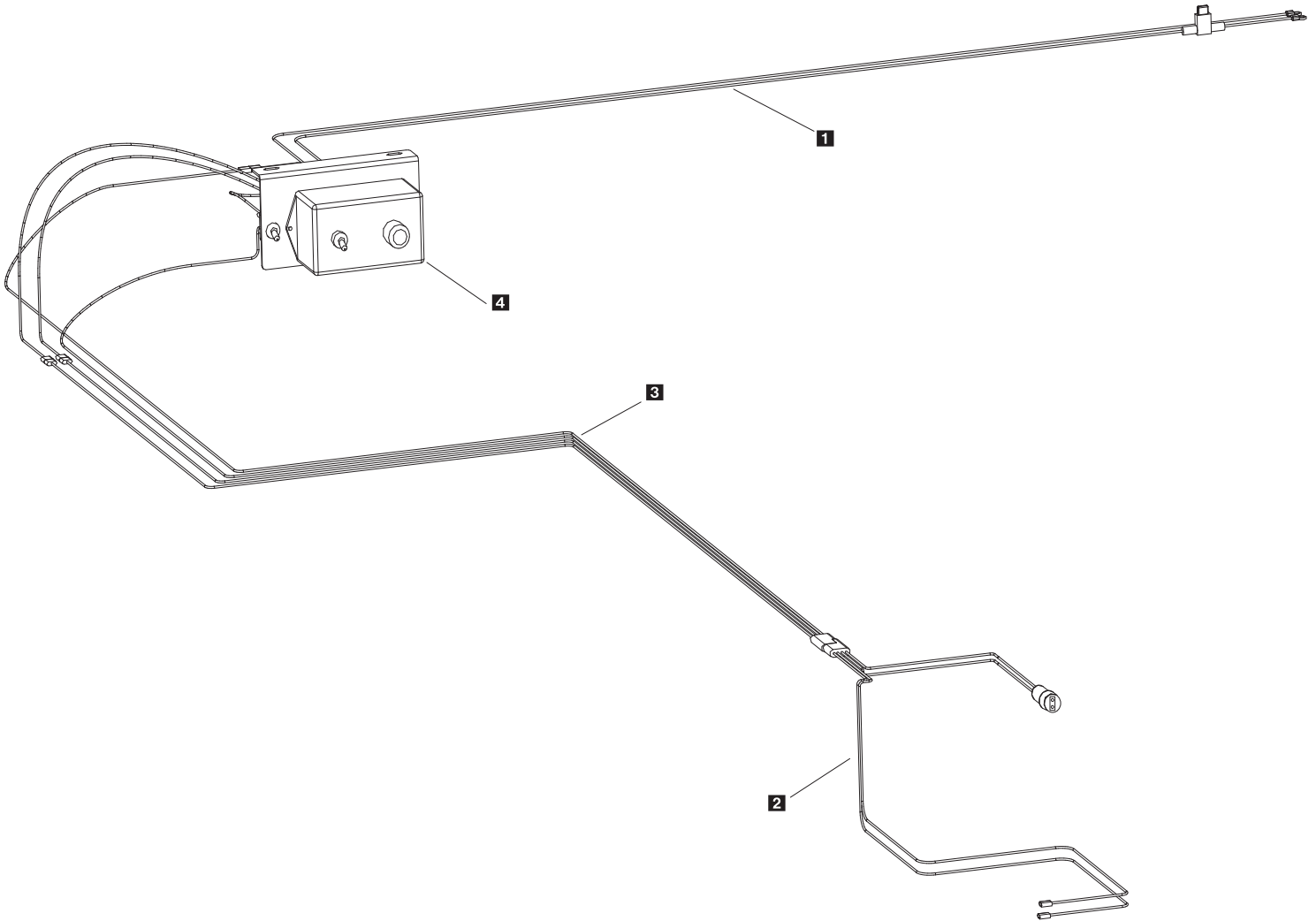
Electric Gate Assembly Views

Model #SP-100

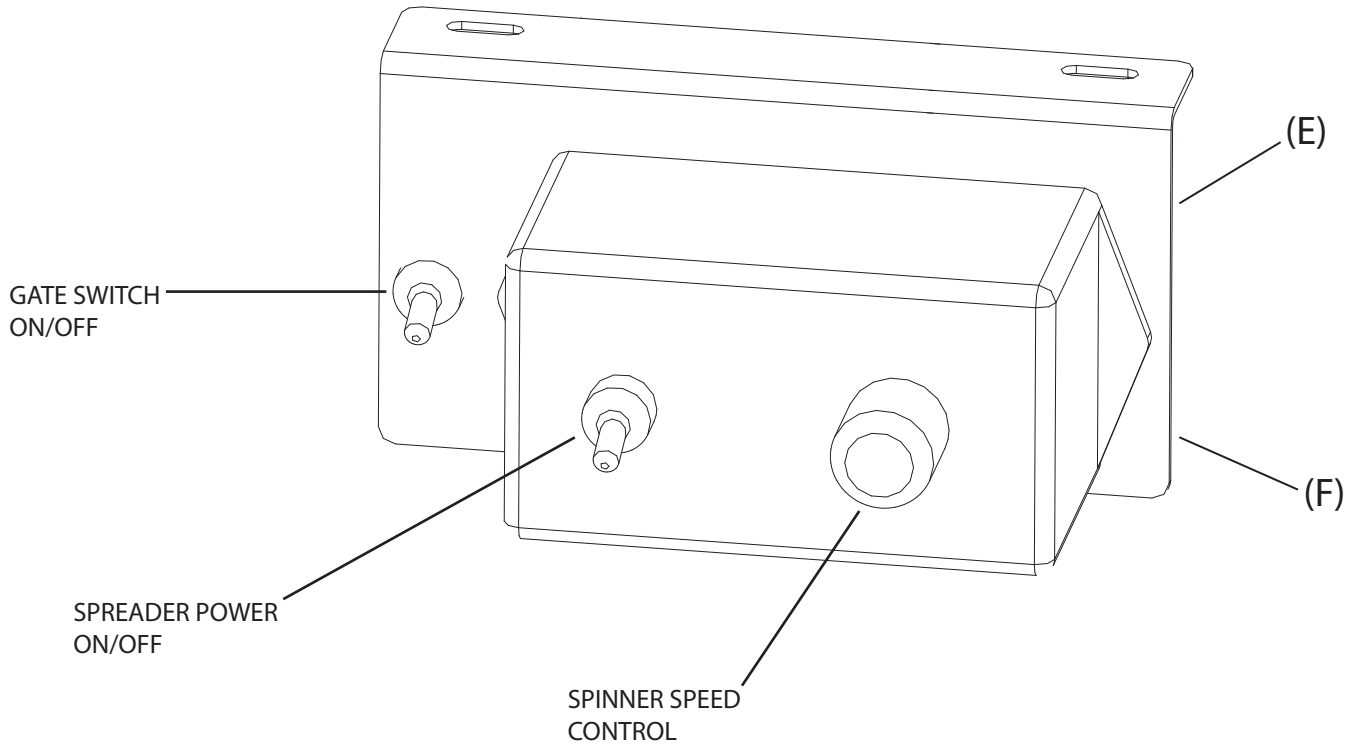


Electrical System Overview

Model# SP-100



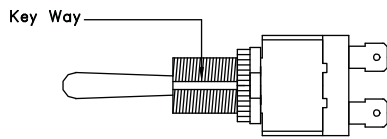
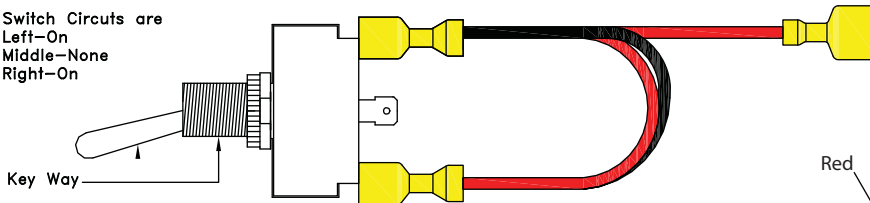
Key	Part No.	Description	Qty.
1	T 15085	Battery Harness	1
2	T 15084	Spreader Harness	1
3	T 15028	Vehicle Harness	1
4	D 6474	Control	1
5	T 15083	Switch Assembly	1



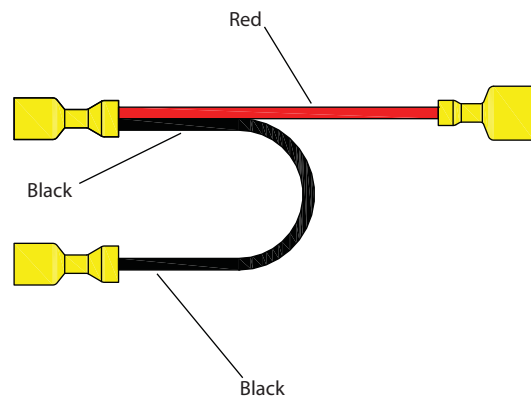
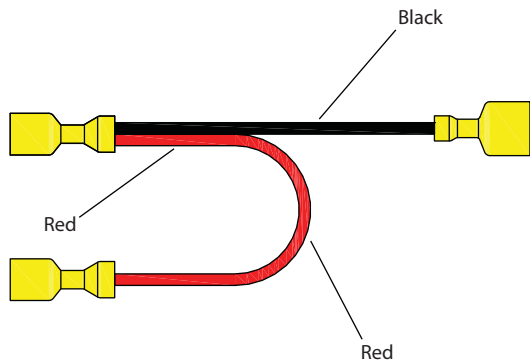
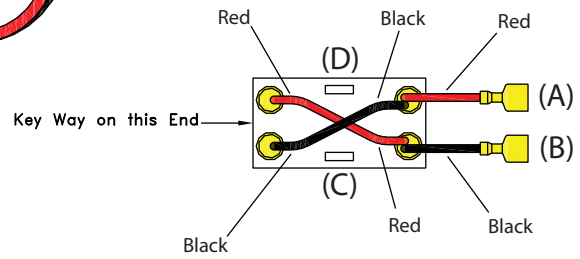
Switch Assembly

Model # SP-100

Switch Circuits are
Left-On
Middle-None
Right-On

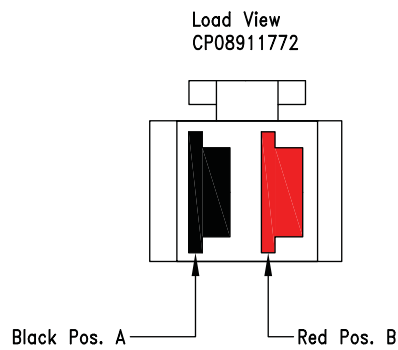
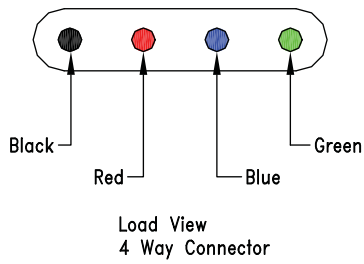
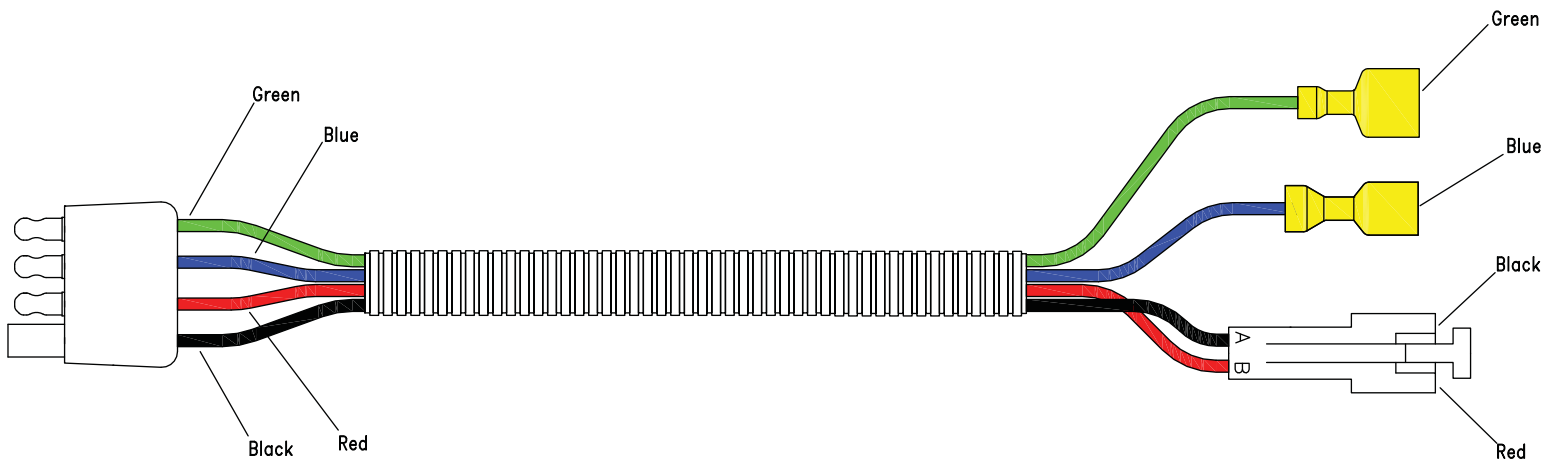


Load View



SP-100 Spreader Harness T 15084

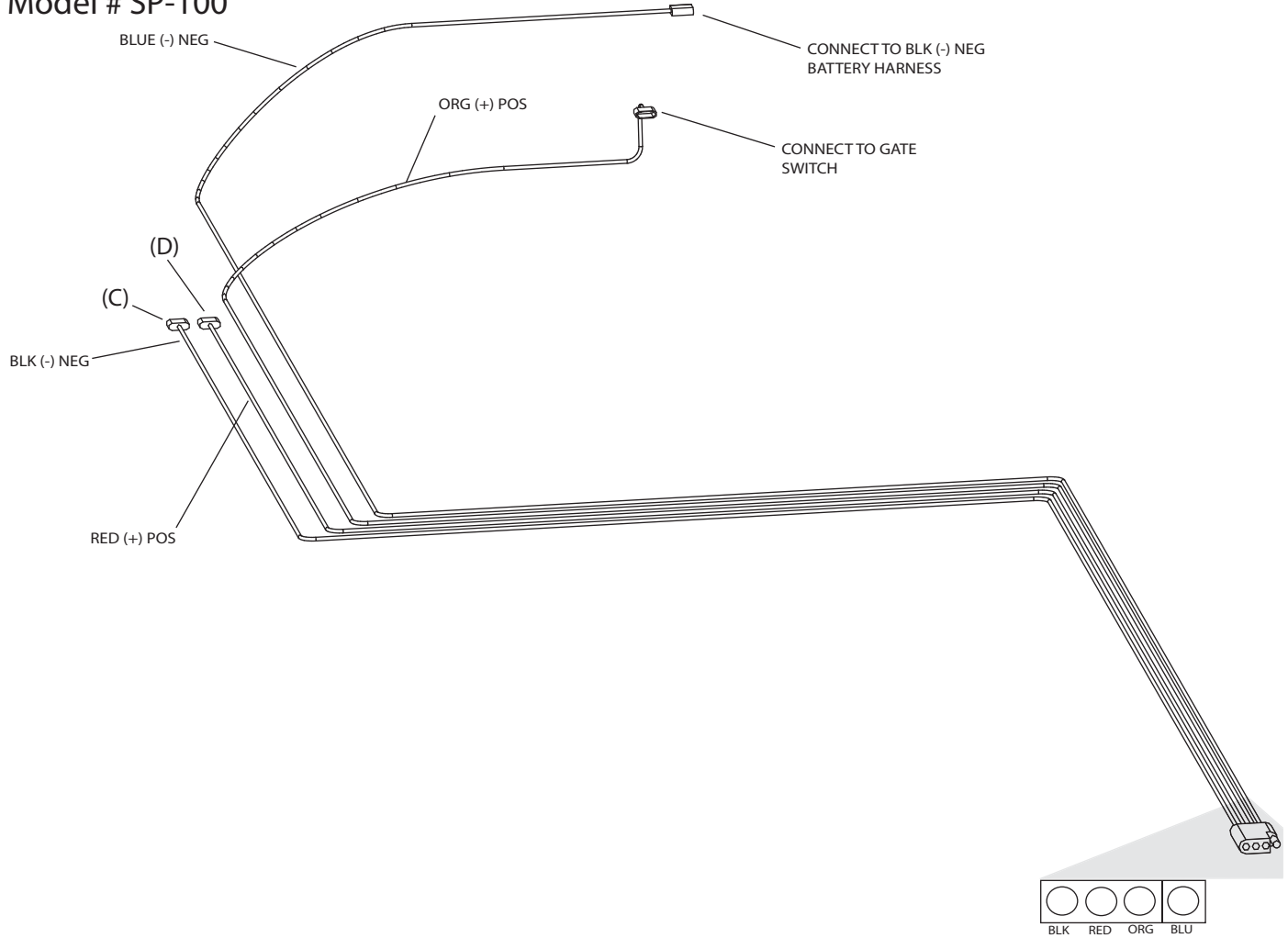
Model # SP-100



Vehicle Harness T 15028

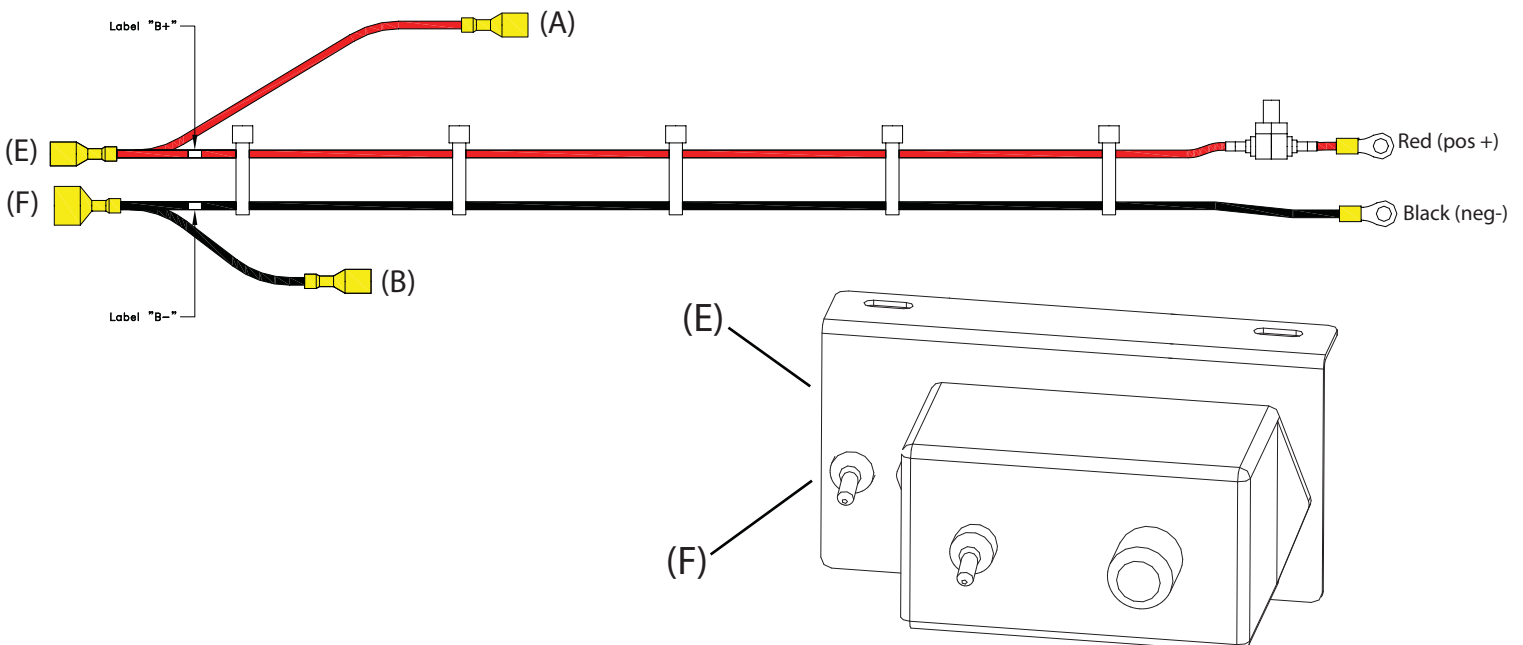


Model # SP-100



Battery Harness T 15085

Model # SP-100



PREPARATION

CAUTION –Sweep area clear of foreign objects or obstacles that could cause personal injury. Keep other persons, children, or animals out of the area to be spread.

SPREADER LOADING

WARNING –Do not overload vehicle. Use chart below to calculate weight of material. Weights of material are an average for dry materials.

<u>Material</u>	<u>Weight Per Cubic Ft.</u>
Rock Salt	35-40 lbs.

- Be sure to comply with manufacturer’s maximum gross vehicle weight ratings.
- Warning – Never leave materials in hopper for long periods of time as salt is hygroscopic and will attract atmospheric moisture and harden up.

SPREADING TIPS

- Never exceed 10 m.p.h. when spreading.
- For a wider pass, increase spinner speed.
- Never operate spreader near pedestrians.
- Spread ice melters with the storm to prevent unmanageable levels of ice.
- Calculate spread pattern when near vegetation.

SPREADER OPERATION

SP-100 SPREADER

- Comes standard with electronic speed control with electric gate flow control kit.
- To start, select proper gate stop position, desired starting speed and switch control power on.
- To open gate, engage switch to the left of the control on/off switch, to close gate dis-engage switch.
- You will need to adjust speed up or down to achieve a proper pattern when using different material types.

Whenever service is necessary, your local Snowex Dealer knows your Spreader best. Take your Spreader to your local dealer for any maintenance or service needs on your unit. If this is not possible, the Troubleshooting Guide below may assist you in locating the problem.

Warning: First read all warning instructions and safety messages before servicing your spreader.

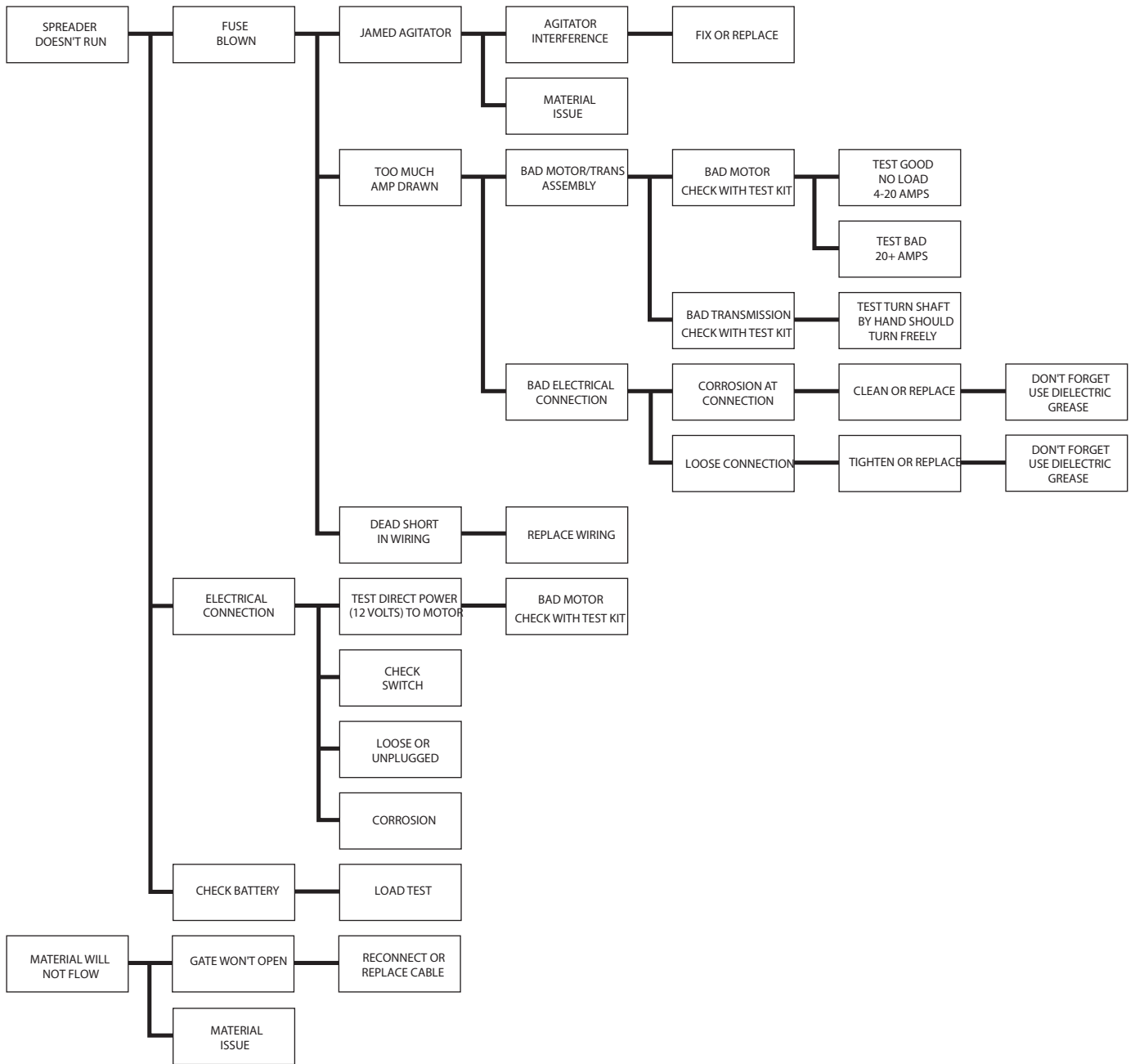
Preliminary Checks

- Be sure all electrical connections are tight and clean.
- Be sure nothing is jammed in the hopper.

PROBLEM	POSSIBLE CAUSE	SOLUTION
Motor doesn't run.	Loose electrical connections.	Check all connections.
	Blown Fuse.	Replace fuse.
	Motor Seized.	Replace motor.
Controller shut down.	Jammed auger.	Carefully clear jammed material.
	Poor electrical connections.	Clean or replace connectors. Use dielectric grease.
	Electrical short.	Check electrical connections. Check for bare wires.
	Controller failure.	Replace controller.
Material not flowing from hopper.	Empty hopper.	Fill hopper.
	Wet material.	Replace with dry material.
	Frozen or coarse material.	Replace material.
	Spinner not turning.	Check drive assembly.
	Auger loose on shaft.	Tighten locking bolt on the side of the auger. There is a flat machined on the driver shaft. Align the auger with this flat and tighten the bolt.
Gate wont open Solenoid won't engage	Frozen/Rusted linkage Check connections Check switch Unit burned out	Lubricate with Moly based product Replace/Repair Replace/Repair Replace

Troubleshooting

Spreader SP-100



- **WARNING** – When servicing is necessary, perform it in a protected area. Do not use power tools in rain or snow because of danger of electrical shock or injury. Keep area well lighted. Use proper tools. Keep the area of service clean to help avoid accidents.
- **WARNING** – Disconnect electricity to spreader before servicing.
- **CAUTION** – The controller is a solid state electronic unit and is not serviceable. Any attempt to service will void warranty.
- **CAUTION** – There are no serviceable parts in the motor/transmission assembly. Any attempt to service will void warranty.
- **CAUTION** – When replacing parts, use only original manufacturer's parts. Failure to do so will void warranty.
- Use dielectric grease on all electrical connections to prevent corrosion at the beginning and end of the season and each time power plugs are disconnected.
- Wash unit after each use to prevent material build-up and corrosion.
- **CAUTION** – When pressure washing motor enclosure area, stay at least 36" away from motor enclosures.
- Paint or oil all bare metal surfaces at the end of the season.
- If motor cover is removed for any reason, use silicone sealant to ensure weather proofing of enclosure.
- After first use, tighten all nuts and bolts on spreader and mount.
- **KEEP GATE LINKAGE LUBRICATED THROUGHOUT USE WITH MOLY BASED LUBRICANTS.**

Limited Warranty

Snowex products are warranted for a period of two years from the date of purchase against defects in material or workmanship under normal use and service, subject to limitations detailed below. Warranty period of two years begins on the date of purchase by the original retail user.

The WARRANTY REGISTRATION CARD must be returned to the manufacturer for this warranty to become effective. This warranty applies to the original retail purchaser only. This warranty does not cover damages caused by improper installation, misuse, lack of proper maintenance, alterations or repairs made by anyone other than authorized Snowex dealers or Snowex personnel. Due to the corrosive properties of the materials dispensed by spreaders, Trynex does not warrant against damage caused by corrosion. Warranty claims by the user must be made to the dealer from where the product was purchased, unless otherwise authorized by Snowex. Snowex reserves the right to determine if any part is defective and to repair or replace such parts as it elects. This warranty does not cover shipping costs of defective parts to or from the dealer.

LIMITATION OF LIABILITY

Neither Snowex, nor any company affiliated with it, makes any warranties, representations for promise as to the performance or quality other than what is herein contained. The liability of Snowex to the purchaser for damages arising out of the manufacture, sale, delivery, use or resale of this spreader shall be limited to and shall not exceed the costs of repair or replacement of defective parts. Snowex shall not be liable for loss of use, inconvenience or any other incidental, indirect or consequential damages, so the above limitations on incidental or consequential damages may not apply to you.

NO DEALER HAS AUTHORITY TO MAKE ANY REPRESENTATION OR PROMISE ON BEHALF OF SNOWEX, OR TO ALTER OR MODIFY THE TERMS OR LIMITATIONS OF THIS WARRANTY IN ANY WAY.

Warranty Registration and Customer Survey



To initiate the warranty on your new SnowEx spreader and assure prompt warranty service, please complete the following warranty registration and customer survey, sign and mail it back to the factory within 30 days of purchase.

- 1) Date of Purchase: _____
- 2) Name: _____
Address: _____

Phone: _____
- 3) SnowEx Model Purchased: _____ Serial Number: _____
- 4) Is this your first Trynex Spreader? Yes No
- 5) What type of vehicle are you using with your Spreader?
Make _____ Model _____ Year _____
- 6) What type of material are you using in your spreader? _____
- 7) SnowEx Dealer Name: _____
SnowEx Dealer Address: _____

SnowEx Dealer Phone: _____
- 8) Does your Trynex Dealer stock Trynex replacement Parts? Yes No I don't know
- 9) Do you feel your Trynex Dealer sold you the correct product for your needs/application? Yes No
- 10) How would you rate your overall satisfaction with your SnowEx Dealer?

<input type="checkbox"/>	<input type="checkbox"/>	<input type="checkbox"/>	<input type="checkbox"/>	<input type="checkbox"/>	<input type="checkbox"/>	<input type="checkbox"/>
Very Satisfied	Satisfied	Somewhat Satisfied	Somewhat Dissatisfied	Dissatisfied	Very Dissatisfied	
- 11) How would you rate your overall satisfaction with your SnowEx Product?

<input type="checkbox"/>	<input type="checkbox"/>	<input type="checkbox"/>	<input type="checkbox"/>	<input type="checkbox"/>	<input type="checkbox"/>	<input type="checkbox"/>
Very Satisfied	Satisfied	Somewhat Satisfied	Somewhat Dissatisfied	Dissatisfied	Very Dissatisfied	
- 12) Would you purchase another Trynex Product? Yes No
- 13) If you would like to receive E-Mail ALERTS for new products, bulletins or special promotions please supply address : _____
- 14) Please use the space below to convey your comments and/or suggestions.

- NOTE: I have read the owner's manual and all safety precautions and I understand that this equipment could be dangerous if not operated with care and under the proper conditions.
- 15) Owner's signature: X _____

From:



Postage
Required
Post Office will
not deliver
without proper
postage.



23455 REGENCY PARK DR.
WARREN MI 48089-2667

