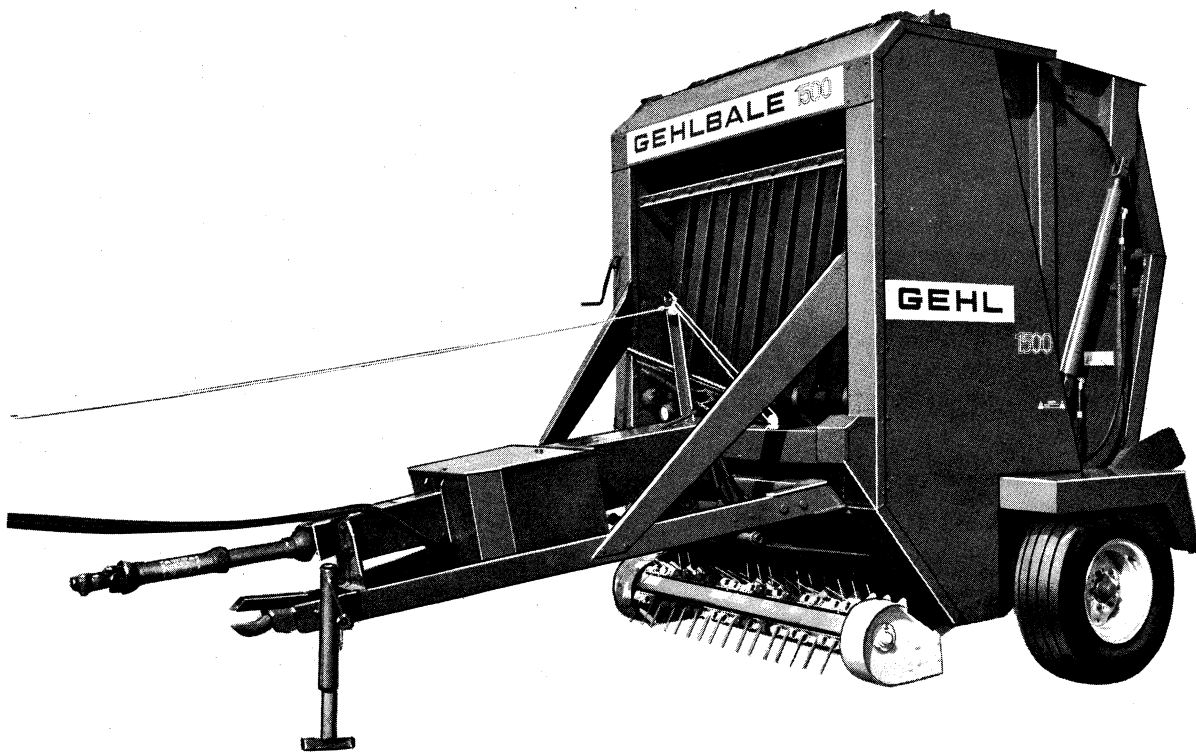


# RB1500

## Baler



# SERVICE PARTS MANUAL

Form No.  
902586  
Replaces  
901570

GEHL<sup>®</sup> COMPANY

**Mr. Dealer:**

When ordering service parts, specify the correct part number, full description, quantity required, the unit model number and serial number.

The model number and serial number for this unit are on a decal located on the Main Frame below the right Quick-switch Yoke.

“Right” and “Left” are determined from a position standing behind the unit and facing toward the direction of travel. From this position the Drive Chains are on the “Left” side.

**GEHL** Company reserves the right to make changes or improvements in the design or construction of any part of the unit without incurring the obligation to install such changes on any unit previously delivered.

**NOTE:** On original Tire replacement, Company policy prohibits the sale of replacement tires for all original GEHL machinery. Replacement Wheel Sets are available and tire size information is called-out with the Wheel Sets to facilitate replacement tire selection. **ALL REPLACEMENT TIRES MUST BE PURCHASED LOCALLY.**

**NOTE:** Common hardware, such as nuts, cap screws, etc. are listed in the parts list but **NOT** illustrated. Hardware listed, is for mounting purposes and **NOT** included when the part is order-

ed for replacement. For the part numbers of common hardware, refer to the attaching hardware table located inside the back cover.

Standard hardware torques appear in a chart at the end of the manual.

Unless otherwise specified, all Cap Screws or Bolts are Grade 5, cadmium or zinc plated; Hexagon Nuts for Grade 5 Cap Screws or Bolts are Grade B; Hexagon Nuts for other Cap Screws or Bolts are Grade A.

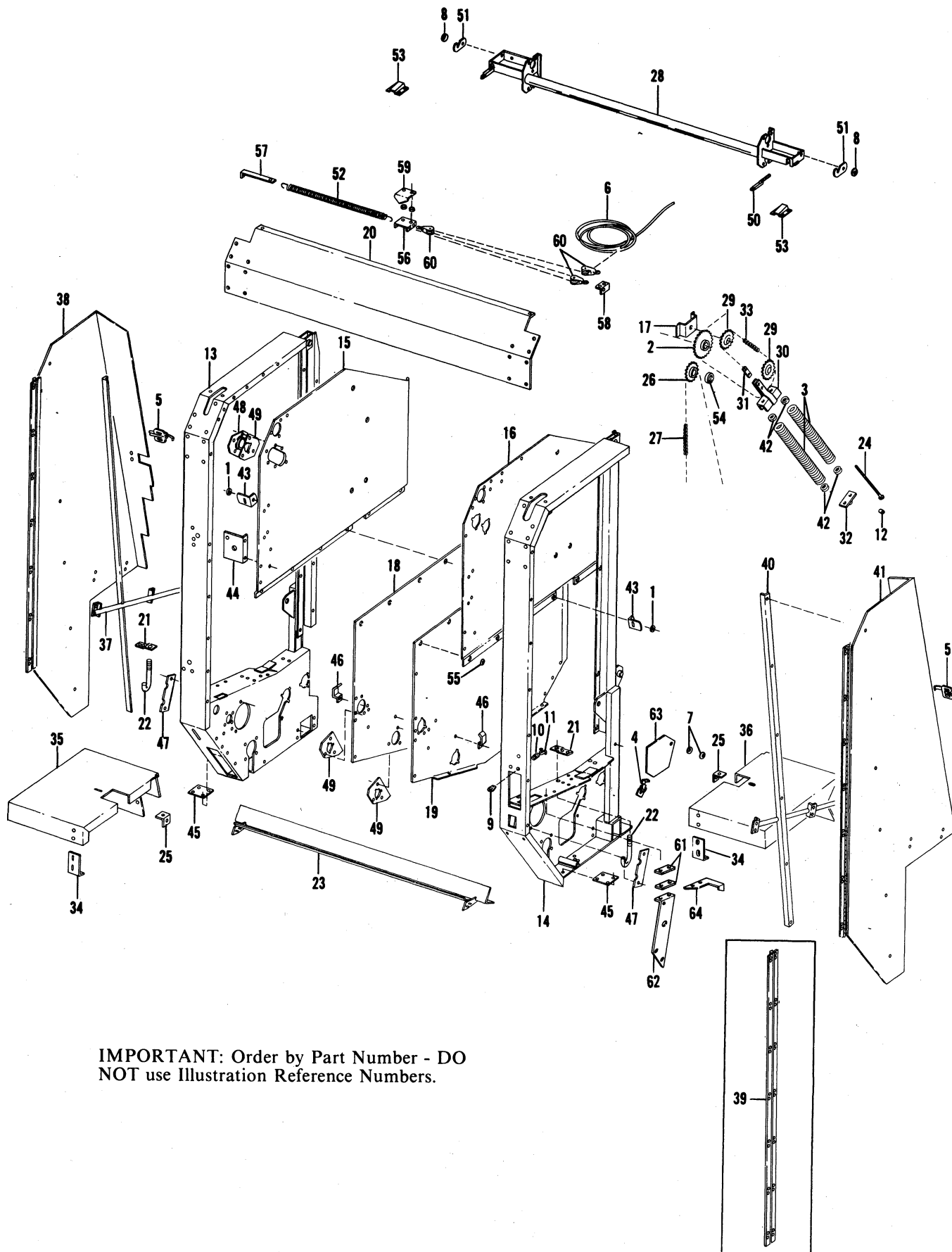
The following abbreviations are used in this manual:

- CB - Carriage Bolt
- HHCS - Hexagon Head Cap Screw
- PTHMS - Phillips Truss Head Machine Screw
- SHSS - Socket Head Set Screw
- FHMS - Flat Head Machine Screw
- RHMS - Round Head Machine Screw
- HWHSTS - Hexagon Washer Head Self Threading Screw
- HWHTCS - Hexagon Washer Head Thread Cutting Screw
- HJN - Hexagon Jam Nut
- HLN - Hexagon Lock Nut
- HN - Hexagon Nut
- PW - Plain Washer
- LW - Lock Washer
- NF - National Fine (Thread)
- SL - Self Locking (Thread)
- T - Tooth

## TABLE OF CONTENTS

	<b>Page</b>
Introduction .....	Inside Front Cover
Table of Contents .....	1
Frame & Shuttle .....	2-5
PTO & Drawbar .....	6-7
Pickup .....	8-9
Rear Gate .....	10-11
Upper Rollers .....	12-13
Lower Rollers .....	14-15
Twinebox & Tie .....	17
Transmission .....	18
Hydraulic Cylinder .....	19
Hydraulic Valve .....	19
Universal Drives .....	20-21
Options & Accessories .....	21-23
Stalk Hold-down Kit .....	21
Electric Twine Wrapping Kit .....	21
Control Box .....	21
Manual Hydraulic Shut Off Kit .....	23
Hydraulic Twine Wrapping Kit .....	23
Re-Lacing Kit .....	23
Slow-down Sprocket Kit .....	23
Platform Belt Lacing Pin Kit .....	23
Decal Locations .....	24
Numerical Index .....	25-27
Torque Specifications .....	Inside Back Cover
Attaching Hardware Table .....	Inside Back Cover

# RB1500 - FRAME & SHUTTLE

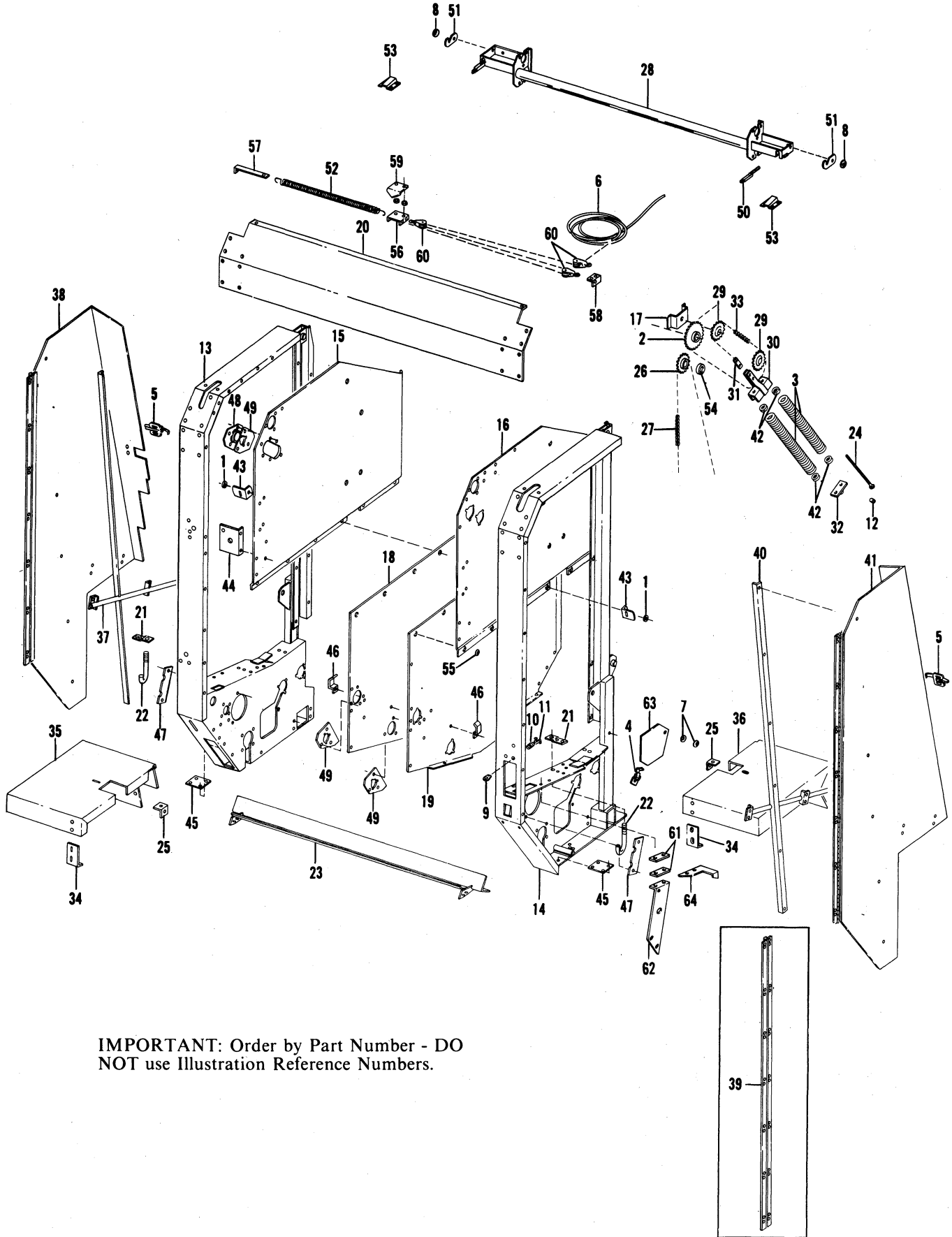


**IMPORTANT:** Order by Part Number - DO NOT use Illustration Reference Numbers.

## RB1500 - FRAME & SHUTTLE

Ref. No.	Part No.	Part Name	No. Req.	Ref. No.	Part No.	Part Name	No. Req.
1	7K73	Washer.....	2	20	057146	Panel .....	1
2	H714B	Sprocket (29T) .....	2		650430	HHCS 3/8 x 1 .....	16
	650213	S-L SHSS 3/8 x 3/8 .....	2		(16) 3/8 HN - (16) LW		
3	H6057B	Spring .....	4	21	057175	Roll Stop Reinforcement .....	2
4	040860	Clip .....	2		650430	HHCS 3/8 x 1 .....	4
	650548	RHMS #1024 x 1/2.....	2		(4) 3/8 HN - (4) LW		
	(2) #1024 HN - (2) #10 LW			22	057178	Hook Bolt .....	2
5	044116	Latch .....	2		(4) 1/2 HN		
	650339	RHMS #1224 x 1/2.....	4	23	057181	Scraper .....	1
	(4) #1224 HN - (4) #12 LW			24	057232	Take-up Bolt.....	4
6	052595	Wire Rope 3/16 x 138 .....	1	25	057300	Fender Angle .....	2
7	054959	Belleville Washer .....	4		650349	HHCS 3/8 x 3 .....	2
8	055142	Spring Washer .....	2		(2) 1/2 HN - (2) LW		
9	055690	Latch Handle .....	1	26	057344	Sprocket (18T) .....	1
10	055691	Latch Spring.....	1	27	057361	Chain (#50) of 240 Links Including	
11	055692	Latch Clip .....	1		One (500057) Connector Link ..	1	
12	056769	Spacer .....	2	28	057362	Shuttle .....	1
13	057083	Baler Frame - Right .....	1		650393	HHCS 5/16 x 3/4 .....	11
	650428	HHCS 5/16 x 5/8 .....	2		(11) 5/16 HLN		
	650341	HHCS 5/16 x 1-3/4 .....	1	29	057370	Idler Sprocket (17T) .....	4
	650676	HHCS 5/16 x 4 .....	1		650461	HHCS 5/8 x 2-1/2 .....	2
	650429	HHCS 3/8 x 3/4 .....	2		(2) 5/8 HN - (6) PW - (2) LW		
	650430	HHCS 3/8 x 1 .....	13	30	057371	Spring Base - Upper .....	2
	650396	HHCS 3/8 x 1-1/4 .....	1		650435	HHCS 1/2 x 2-1/4 .....	2
	(3) 5/16 HN - (3) LW				650555	HHCS 5/8 x 2-1/4 .....	4
	(16) 3/8 HN - (16) LW				(2) 1/2 HLN - (8) PW		
14	057103	Baler Frame - Left.....	1		(2) 5/8 HN - (4) PW - (2) LW		
	650428	HHCS 5/16 x 5/8 .....	2	31	057374	Chain Block .....	2
	650430	HHCS 3/8 x 1 .....	14	32	057375	Spring Base.....	2
	650396	HHCS 3/8 x 1-1/4 .....	1		650353	HHCS 5/8 x 2 .....	2
	652161	CB 1/2 x 2 .....	1		(2) 5/8 HN - (8) PW - (2) LW		
	(2) 5/16 HN - (2) LW			33	057376	Chain (#50) of 161 Links Including	
	(15) 3/8 HN - (15) LW				Two (500111) Connector Links ..	2	
	(1) 1/2 HN - (1) LW - (1) PW			34	057380	Fender Mounting Bracket .....	2
15	057109	Right Sheet - Upper .....	1		650430	HHCS 3/8 x 1 .....	2
	650429	HHCS 3/8 x 3/4 .....	3		(2) 3/8 HN - (2) LW		
	650430	HHCS 3/8 x 1 .....	4	35	057381	Fender - Right .....	1
	650396	HHCS 3/8 x 1-1/4 .....	2		650471	HHCS 3/8 x 7/8 .....	3
	650404	FHSCS 3/8 x 1 .....	4		650430	HHCS 3/8 x 1 .....	1
	(13) 3/8 HN - (13) LW				(4) 3/8 HN - (3) PW - (4) LW		
16	057110	Left Sheet - Upper.....	1	36	057382	Fender - Left .....	1
	650430	HHCS 3/8 x 1 .....	2		650471	HHCS 3/8 x 7/8 .....	3
	650396	HHCS 3/8 x 1-1/4 .....	2		650430	HHCS 3/8 x 1 .....	1
	650404	FHSCS 3/8 x 1-1/4 .....	4		(4) 3/8 HN - (3) PW - (4) LW		
	(8) 3/8 HN - (8) LW			37	057383	Guard Reinforcement - Right ....	1
17	057111	Idler Bracket.....	2	38	057387	Drive Guard - Right .....	1
18	057112	Right Sheet - Lower .....	1		650481	HHCS 1/4 x 1/2 .....	12
	650802	FHSCS 3/8 x 1-1/4 .....	11		650428	HHCS 5/16 x 5/8 .....	7
	650277	PTHMS 3/8 x 1 .....	3		(12) 1/4 HN - (12) LW		
	(14) 3/8 HN - (14) LW				(7) 5/16 HN - (7) LW		
19	057120	Left Sheet - Lower.....	1	39	057388	Hinge .....	2
	650488	HHCS 3/8 x 3/4 .....	6		(Used before Serial #1399)		
	650802	FHSCS 3/8 x 1-1/4 .....	9	40	057389	Guard Reinforcement - Left.....	1
	650628	FHSCS 3/8 x 1 .....	2				
	650277	PTHMS 3/8 x 1 .....	3				
	(20) 3/8 HN - (20) LW						

# RB1500 - FRAME & SHUTTLE



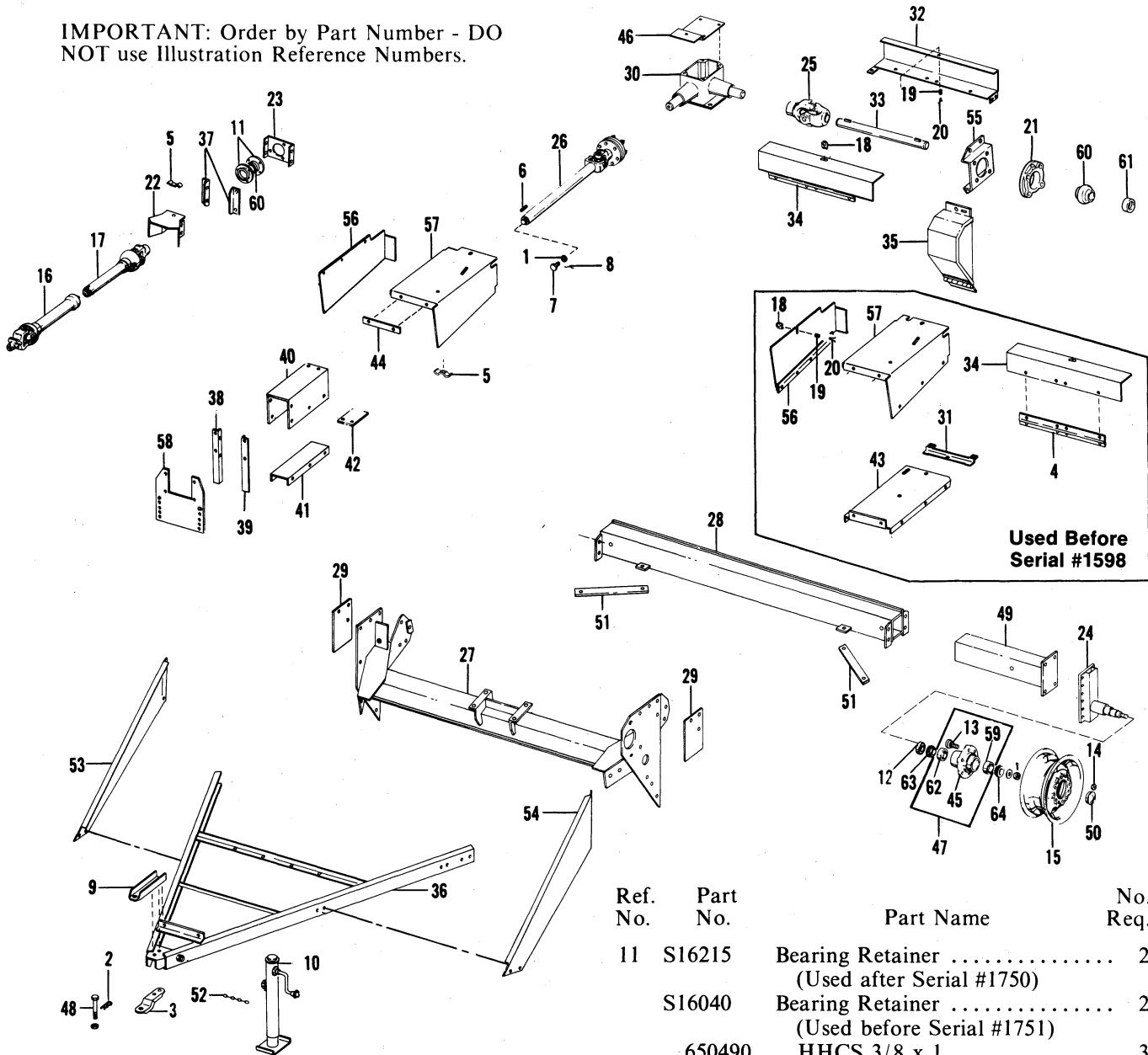
**IMPORTANT: Order by Part Number - DO NOT use Illustration Reference Numbers.**

## RB1500 - FRAME & SHUTTLE

Ref. No.	Part No.	Part Name	No. Req.	Ref. No.	Part No.	Part Name	No. Req.
41	057391	Drive Guard - Left .....	1	54	058489	Set Collar .....	1
	650481	HHCS 1/4 x 1/2 .....	12		650204	* S-L SHSS 5/16 x 3/8 .....	4
	650428	HHCS 5/16 x 5/8 .....	7	55	058490	Washer .....	28
		(12) 1/4 HN - (12) LW		56	058533	Indicator Base .....	1
		(7) 5/16 HN - (7) LW			650488	HHCS 3/8 x 3/4 .....	2
		(4) 3/8 PW				(2) 3/8 HN - (2) LW	
42	057883	Spring Plug .....	8	57	058534	Spring Anchor .....	1
43	057931	Door Latch Bracket .....	2		650396	HHCS 3/8 x 1-1/4 .....	1
44	057935	Bracket .....	1			(1) 3/8 HN - (1) LW	
45	057945	Reinforcement .....	2	58	058535	Pulley Anchor .....	1
	650430	HHCS 3/8 x 1 .....	8		650396	HHCS 3/8 x 1-1/4 .....	1
		(8) 3/8 HN - (8) LW				(1) 3/8 HN - (1) LW	
46	057948	Hose Bracket .....	2	59	058536	Bale Size Indicator .....	1
47	057959	Cover .....	2	60	058538	Pulley .....	3
48	057962	Roll Shield - Right .....	1	61	058874	Support Spacer .....	2
	650393	HHCS 5/16 x 3/4 .....	3			(Used after Serial #1613)	
49	057963	Bracket Plate .....	3	62	058875	Support .....	1
	650429	HHCS 3/8 x 3/4 .....	3			(Used after Serial #1613)	
		(3) 3/8 HN - (3) LW			058391	Support .....	1
50	057977	Chain Take-up .....	1			(Used before Serial #1614)	
51	057980	Shuttle Hook .....	2		650508	HHCS 3/8 x 1-3/4 .....	2
	650433	HHCS 1/2 x 1-1/4 .....	2			(2) 3/8 HN - (4) PW - (2) LW	
		(2) 1/2 HLN		63	058908	Access Hole Cover .....	2
52	058325	Spring .....	1		650393	HHCS 5/16 x 3/4 .....	2
53	058326	Chain Guard .....	2			(2) 5/16 HLN	
	650430	HHCS 3/8 x 1 .....	4	64	059215	Door Stop .....	1
		(4) 3/8 HN - (4) LW				(Used after Serial #1947)	

# RB1500 - PTO & DRAWBAR

IMPORTANT: Order by Part Number - DO NOT use Illustration Reference Numbers.



Ref. No.	Part No.	Part Name	No. Req.
1	9H253	Washer	5
2	9H300	Lock Pin	2
3	17H340A	Drawbar Clip - Lower	1
4	17H394	Hinge (Used before Serial #1598)	1
5	H6094	Hose Clamp	2
	650453	HHCS 1/2 x 1-1/2	1
	(1) 1/2 HLN		
6	H6172	Tubular Drive Key	1
7	H6240	Joint Retainer Bolt 1/2NF x 1	1
8	H6242	Joint Retainer Wire	1
9	R13139A	Drawbar Clip - Upper	1
	650336	HHCS 5/8 x 1-3/4	2
	(2) 5/8 HN - (2) LW		
10	S16119A	Hitch Jack	1

Ref. No.	Part No.	Part Name	No. Req.
11	S16215	Bearing Retainer	2
		(Used after Serial #1750)	
	S16040	Bearing Retainer	2
		(Used before Serial #1751)	
	650490	HHCS 3/8 x 1	3
	(3) 3/8 HN - (3) LW		
12	045998	Grease Seal	2
13	046000	Wheel Bolt	12
14	046001	Wheel Nut	12
15	048060	Wheel 15 x 8.00	2
16	054283B	Universal Joint w/Sq. Shaft	1
	570014	Grease Fitting	1
17	054284B	Universal Joint w/Sq. Tube	1
	570014	Grease Fitting	1
18	055690	Latch Handle	1
		(Two Req'd before Serial #1598)	
19	055691	Latch Spring	1
		(Two Req'd. before Serial #1598)	
20	055692	Latch Clip	1
		(Two Req'd. before Serial #1598)	
21	055986	Bearing Housing	1
	570002	Grease Fitting	1
	650508	HHCS 3/8 x 1-3/4	4
	(4) 3/8 HN - (4) LW		



