

Harley

Model PB.6

A ~ Series Blade

Serial Numbers

PB69A006 - PB69A055



Parts requirements are subject to change without notice and parts may be substituted by Glenmac, Inc.

Please refer to the latest parts price book for current parts pricing, or call (800) 437-9779, Fax (701) 251-9259, E-mail customer_service@glenmac.com

DECALS

! WARNING

Do not allow anyone to operate the Power Box Blade or skid steer loader who has not been properly trained in its safe operation and has not read and understood the operator's manuals.

Before attaching check skid steer loader lift capacity to insure its ability to safely handle the weight.

Do not operate without guards/shields in place and in good working order.

Stop all moving parts including skid steer loader engine before cleaning, unplugging, adjusting and/or performing maintenance.

Keep bystanders 9 feet from Power Box Blade when in operation.

Failure to follow the above safety suggestions and those in the operator's manual can result in serious injury or death.

P970020

#1 - PN: P970020

! DANGER



ROTATING PART HAZARD

- KEEP HANDS, HAIR AND CLOTHING AWAY FROM MOVING PARTS.
- CLOSE AND SECURE ALL SHIELDS BEFORE OPERATING.

FAILURE TO DO SO COULD RESULT IN
SERIOUS INJURY OR DEATH

#2 - PN: P970300

! DANGER

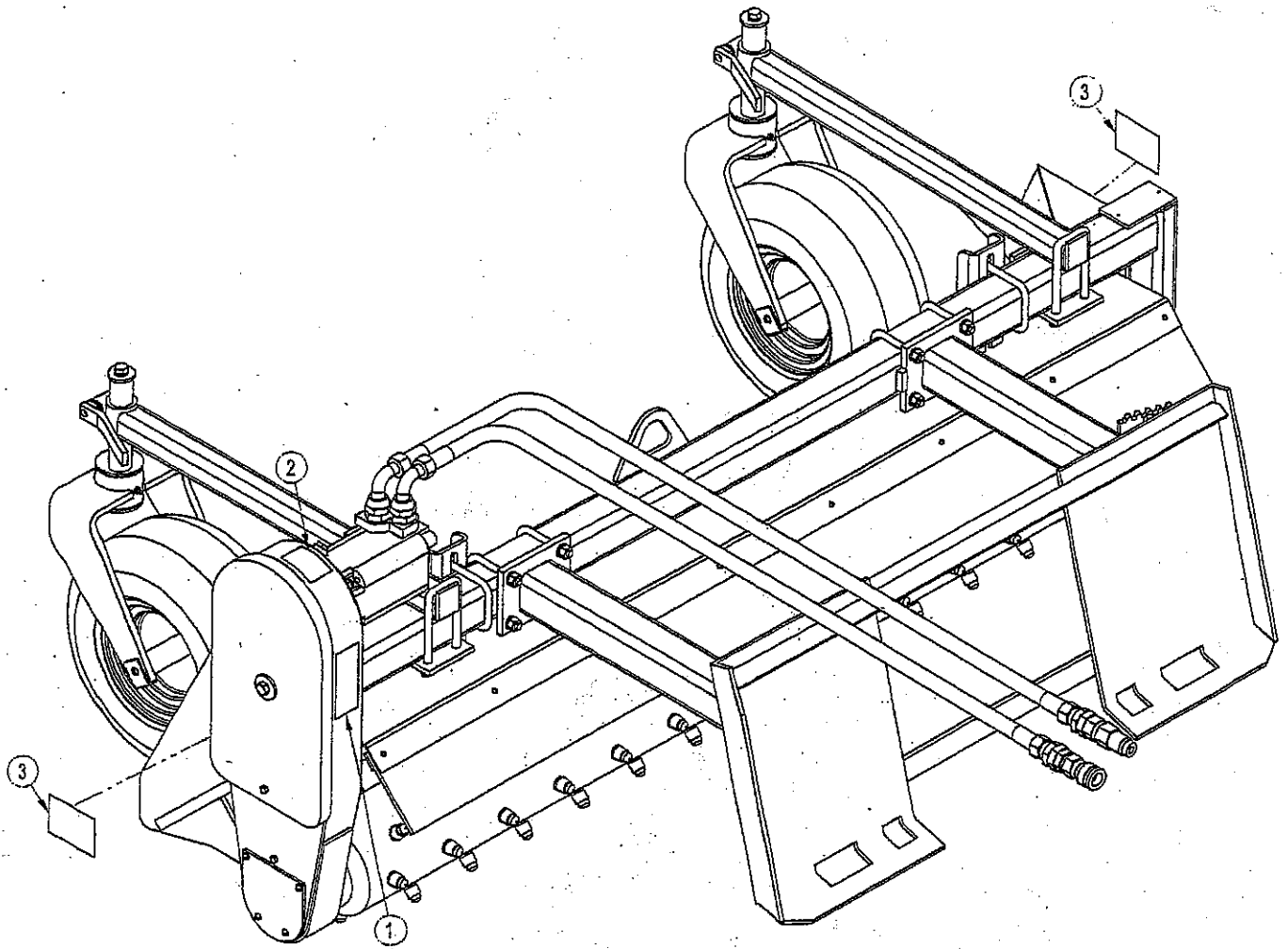


- Stay at least 9 feet (3m) away from operating equipment.
- Flying objects and rotating parts can cause injury or death.
- Stop engine before cleaning or servicing.
- Keep all guards in place.

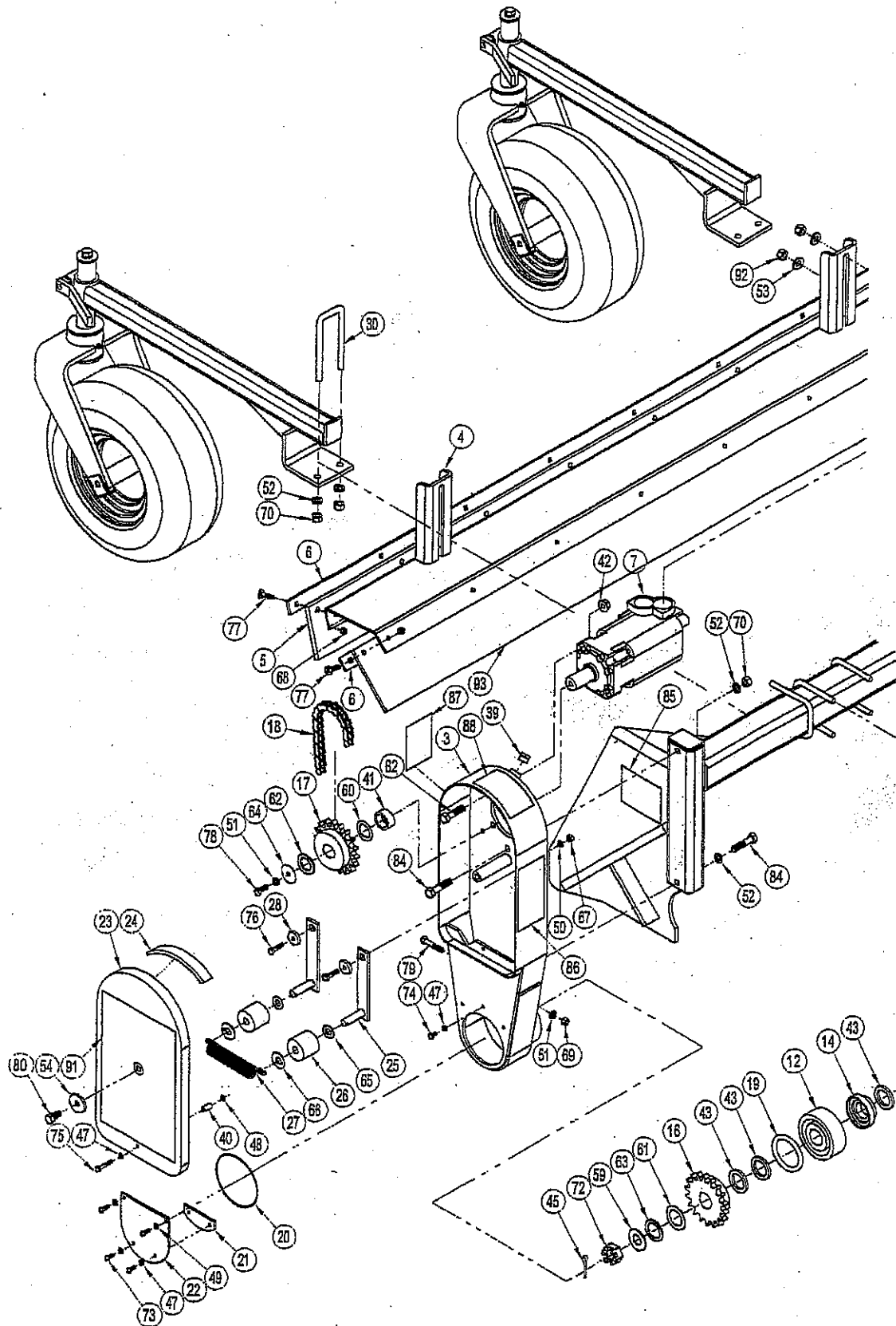
P970250

#3 - PN: P970250

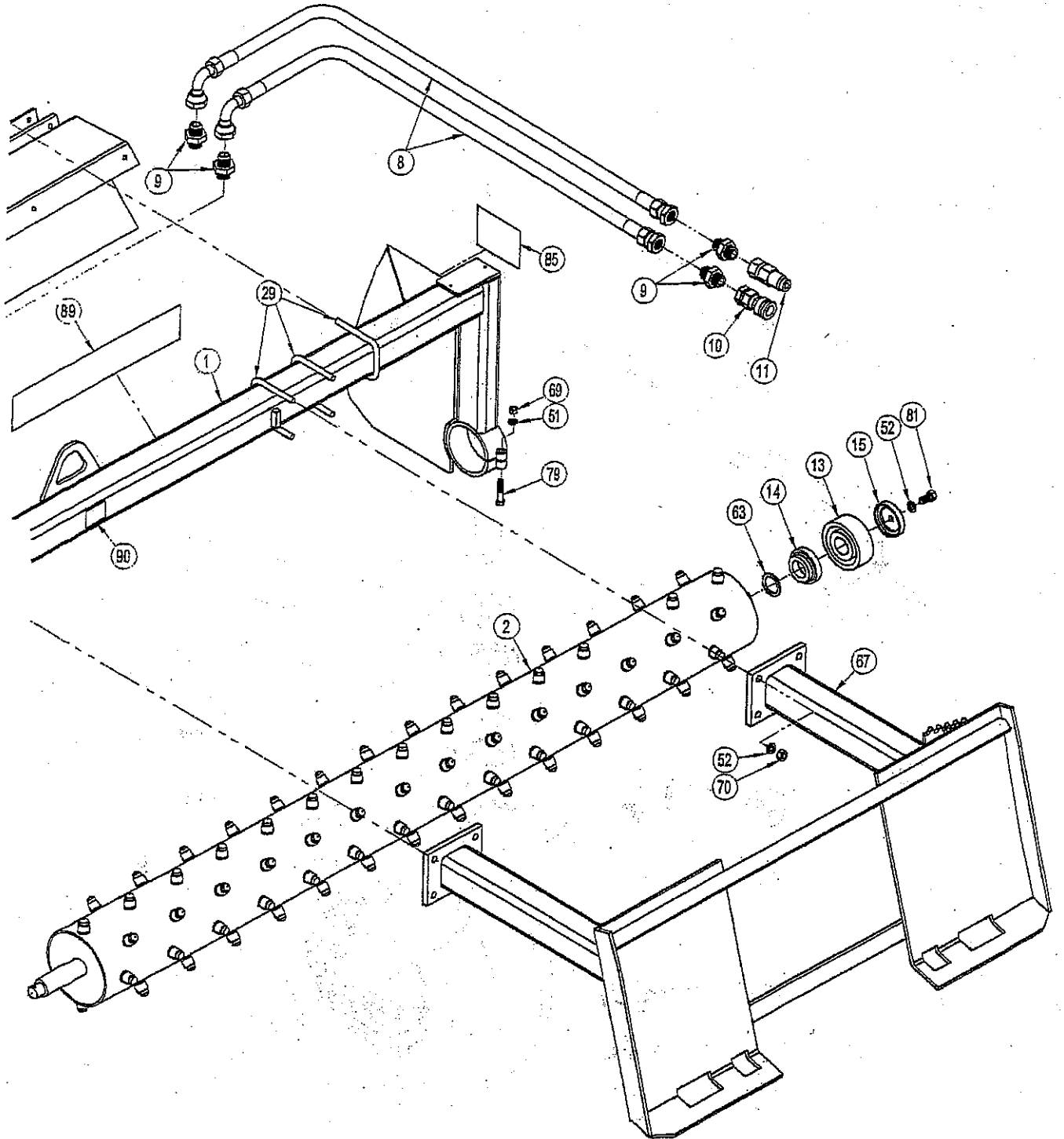
DECALS



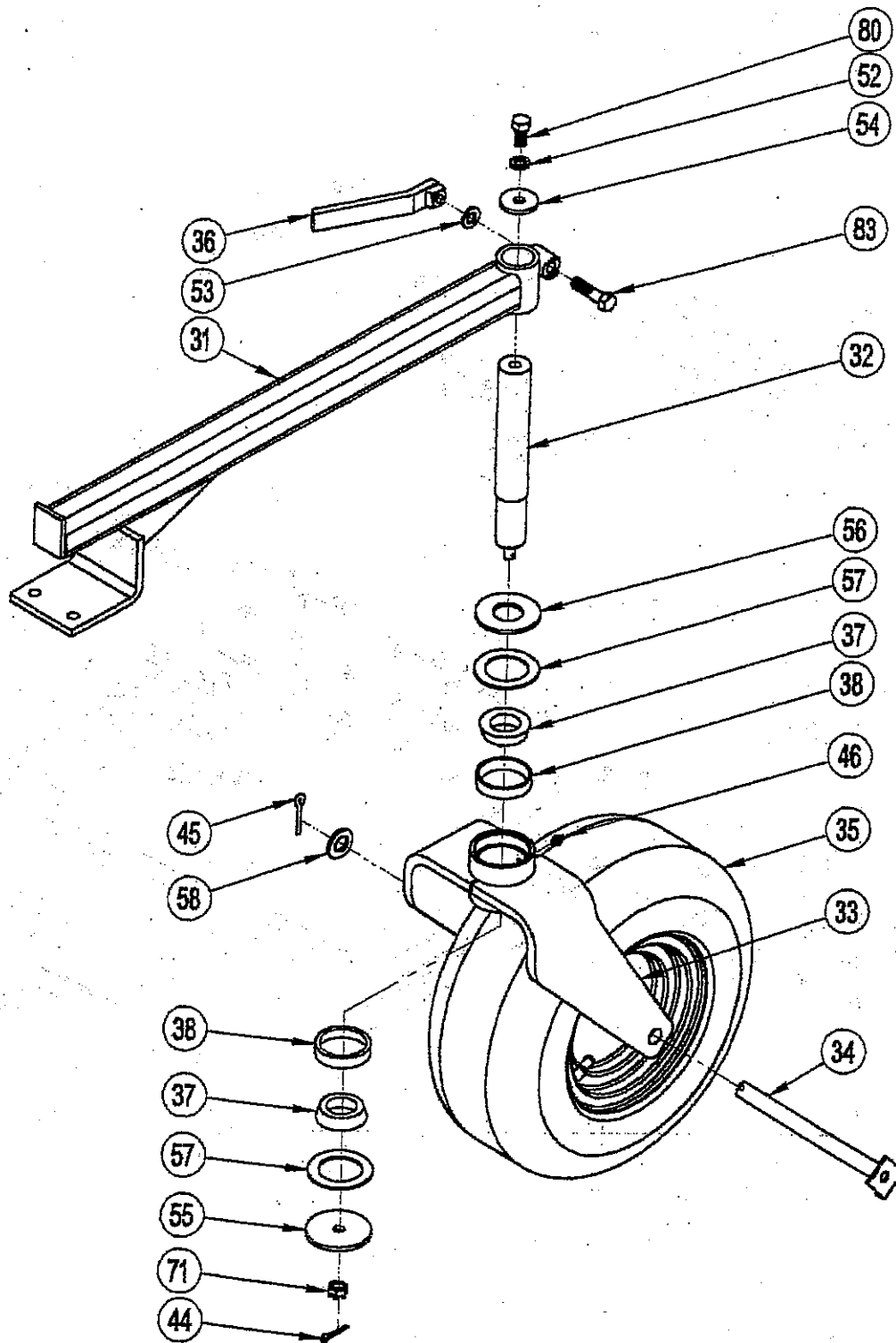
GENERAL ASSEMBLY



GENERAL ASSEMBLY



CASTOR WHEEL ASSEMBLY



PARTS LIST

ITEM	QTY	PART NO	DESCRIPTION	ITEM	QTY	PART NO	DESCRIPTION
1	1	M16001	MAIN FRAME	66	2	M6756	PINNED WASHER
2	1	M6775	CARBIDE TOOTH ROLLER	67	1	M16021	ATTACHMENT PLATE WELDMENT
3	1	M6608	CHAIN CASE	68	18	P155350	5/16 HEX LOCK NUT
4	1	M16005	BARRIER MOUNT	69	2	P150600	3/8 HEX NUT
5	1	M6427	BARRIER	70	13	P150800	1/2 HEX NUT
6	2	M6428	BARRIER STRAP	71	2	P158006	1/2-13 SLOTTED HEX NUT
7	1	P350200	HYDRAULIC MOTOR	72	1	P156402	1" SLOTTED HEX NUT
8	2	P255737	-10 HOSE X 68" 12FIX-12FIX90	73	4	P110901	1/4 X 3/4 BUTTON HEAD SCREW
9	4	P276450	ADAPTER 12MJ-12MB	74	1	P100402	1/4 X 1/2 HEX BOLT
10	1	P272670	FEMALE FLAT FACE COUPLER	75	1	P100406	1/4 X 1 1/2 HEX BOLT
11	1	P272671	MALE FLAT FACE COUPLER	76	2	P100505	5/16 X 1 1/4 HEX BOLT
12	1	M6687	BEARING ASSEMBLY DRIVE (SEE A, B)	77	16	P104505	5/16 X 1 1/4 CARRIAGE BOLT
13	1	M6688	BEARING ASSEMBLY IDLE (SEE A, B)	78	1	P100604	3/8 X 1" HEX BOLT
	A	P015210	BEARING HOUSING	79	2	P100608	3/8 X 2" HEX BOLT
	B	P010400	BEARING INSERT	80	3	P100804	1/2 X 1" HEX BOLT
14	2	P015308	1 1/2 NON LOCKING COLLAR	81	1	P102805	1/2 X 1 1/4 FINE THREAD BOLT
15	1	P015307	BEARING CAP	82	4	P100807	1/2 X 1 3/4 HEX BOLT
16	1	P661805	18 TOOTH SPROCKET 1 1/2 SPLINE	83	2	P102808	1/2 X 2" FINE THREAD BOLT
17	1	P661804	18 TOOTH SPROCKET 1 1/4 SPLINE	84	2	P100812	1/2 X 3" HEX BOLT
18	1	M6641	#60H DRIVE CHAIN 75P	85	2	P970250	DECAL: WARNING ROLLER
19	1	P500203	3/8 X 2 5/8 O-RING	86	1	P970020	DECAL: WARNING LIFT
20	1	P500202	3/32 X 4 3/4 O-RING	87	1	P970003	DECAL: LUBRICATION
21	1	M8272	COVER TAB	88	1	P970300	DECAL: WARNING CHAIN
22	1	M8241	LOWER COVER	89	1	P975930	DECAL: HARLEY BLADE LOGO
23	1	M6618	COVER	90	1	P976500	DECAL: LIFT HOOK
24	1	M6642	SEAL	91	1	P975925	DECAL: COVER
25	2	M6629	TENSION ARM	92	4	P158005	1/2 NYLOCK NUT
26	2	M6628	IDLER ROLLER	93	1	M16019	DISCHARGE DEFLECTOR
27	1	P604605	EXTENSION SPRING				
28	2	M6630	PIVOT BUSHING				
29	6	P128318	1/2 X 3" X 4 1/4 U-BOLT				
30	2	P128324	1/2 X 2" X 6" U-BOLT				
31	2	M16012	CASTER SUPPORT				
32	2	M16011	CASTER SHAFT				
33	2	M6211-A	CASTER FORK				
34	2	M6215	CASTER AXLE				
35	2	P756100	WHEEL & TIRE				
36	2	M6415	HANDLE				
37	4	P760300	BEARING CONE				
38	4	P760500	BEARING CUP				
39	1	P278001	VENT PLUG				
40	1	P481010	BUSHING				
41	1	M6634	COLLAR				
42	4	P155851	1/2 SERRATED FLANGE NUT				
43	3	M6757	SPACER .218 LONG				
44	2	P116204	1/8 X 1" COTTER PIN				
45	3	P116306	3/16 X 1 1/2 COTTER PIN				
46	2	P620200	1/4-28 STR. GREASE FITTING				
47	4	P500300	1/4 O-RING WASHER				
48	1	P500302	1/4 RUBBER FACE WASHER				
49	2	P851104	1/4 LOCK WASHER				
50	2	P851105	5/16 LOCK WASHER				
51	3	P851106	3/8 LOCK WASHER				
52	17	P851108	1/2 LOCK WASHER				
53	6	P852608	1/2 HARD WASHER				
54	3	M5009-5	1/2 X 1 3/4 X 3/16 THK WASHER				
55	2	M6223	WASHER				
56	2	P850620	1 1/4 FLAT WASHER				
57	4	P852200	FELT WASHER				
58	2	P850812	3/4 SAE WASHER				
59	1	M5464	1" HEAVY WASHER				
60	1	P855320	14 GA X 1 1/4 MACHINE BUSHING				
61	1	P855324	14 GA X 1 1/2 MACHINE BUSHING				
62	1	P855120	10 GA X 1 1/4 MACHINE BUSHING				
63	2	P855124	10 GA X 1 1/2 MACHINE BUSHING				
64	1	M5009-2	3/8 X 1 3/4 FLAT WASHER				
65	2	P850609	9/16 FLAT WASHER				