

Form No.
902580
Replaces
901678

HL4400

LOADER



SERVICE PARTS MANUAL

Y
Z
A
P
R
A
N
Z
Y
G
E
H
L[®]
G
O
M
P
A
N
Y

Mr. Dealer:

When ordering service parts, specify the correct part number, full description, quantity required, the unit model number and serial number.

The model number and serial number should always be given. Numbers for this unit are stamped on a plate located in the compartment to the Rear and Below the Right Load Arm Pivot.

“Right” and “Left” are determined from a position sitting on the Seat and looking forward. From this position, the Foot Throttle is on the Right Side of Console.

GEHL Company reserves the right to make changes or improvements in the design or construction of any part of the unit without incurring the obligation to install such changes on any unit previously delivered.

NOTE: On original Tire replacement, Company policy prohibits the sale of replacement tires for all original GEHL machinery. Replacement Wheel Sets are available and tire size information is called-out with the Wheel Sets to facilitate replacement tire selection. **ALL REPLACEMENT TIRES MUST BE PURCHASED LOCALLY.**

NOTE: Common hardware, such as nuts, cap screws, etc. are listed in the parts list but NOT illustrated. Hardware listed, is for mounting purposes and NOT included when the part is ordered for replacement. For the part numbers of common hardware, refer to the attaching hardware table located inside the back cover.

Standard hardware torques appear in a chart at the end of the manual.

Unless otherwise specified, all Cap Screws or Bolts are Grade 5, cadmium or zinc plated; Hexagon Nuts for Grade 5 Cap Screws or Bolts are Grade B; Hexagon Nuts for other Cap Screws or Bolts are Grade A.

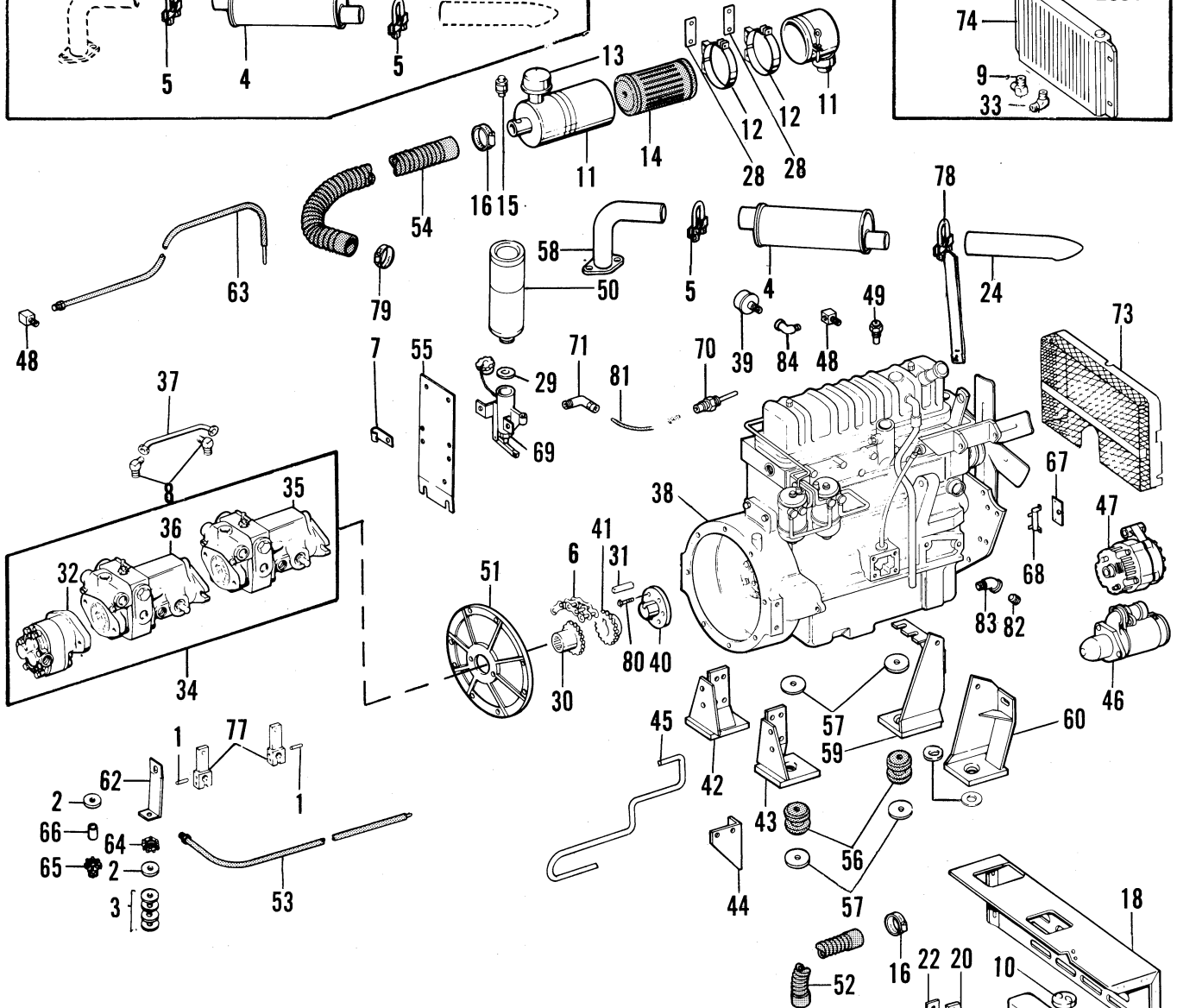
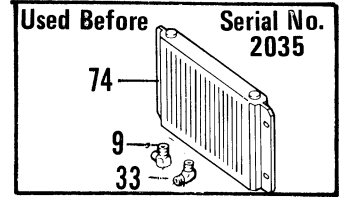
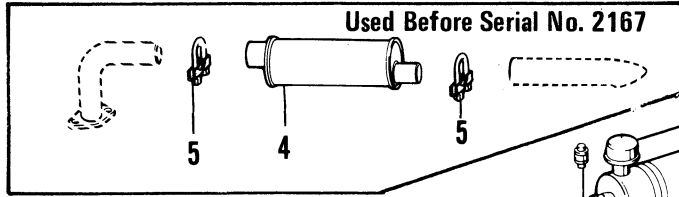
The following abbreviations are used in this manual:

- CB - Carriage Bolt
- HHCS - Hexagon Head Cap Screw
- HWHSTS - Hexagon Washer Head Self-Tapping Screw
- PTHMS - Phillips Truss Head Machine Screw
- RHMS - Round Head Machine Screw
- SHSS - Socket Head Set Screw
- SQHSS - Square Head Set Screw
- LH - Left Hand (Thread)
- NF - National Fine
- RH - Right Hand (Thread)
- SL - Self-locking (Thread)
- DPT - Double Pitch Tooth
- CN - Castellated Nut
- HJN - Hexagon Jam Nut
- HLN - Hexagon Lock Nut
- HMN - Hexagon Machine Nut
- HN - Hexagon Nut
- SN - Slotted Nut
- WN - Wing Nut
- ELW - External (Tooth) Lock Washer
- ILW - Internal (Tooth) Lock Washer
- LW - Lock Washer
- PW - Plain Washer
- NPT - National Pipe Thread
- T - Tooth

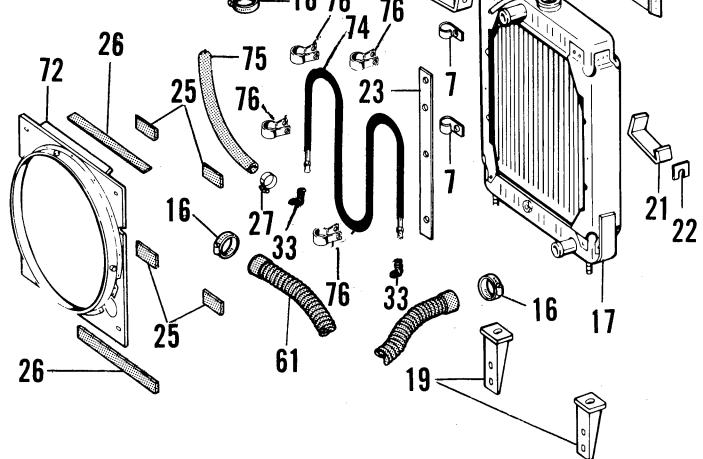
TABLE OF CONTENTS

Page	Page
Introduction.....	2
Engines.....	3-14
Perkins.....	3-5
Wisconsin.....	6-7
Ford - Gas.....	8-10
Ford - LPG.....	11-14
Main Frame.....	15-17
Console & Controls.....	18-20
Load Arm.....	21
Axle & Drive.....	22-24
Hydraulic Systems.....	25-31
Wisconsin & Ford Units Before Serial #2167 & #2167 & Perkins Diesel Before Serial #1686 ..	25-26
Wisconsin & Ford Units After Serial #2166 ...	27-28
Perkins Diesel After Serial #1685.....	29-31
Electrical System.....	32-33
Hydraulic Pumps, Motors, Valves & Cylinders.....	34-39
Piston Pump - Front.....	34
Piston Pump - Rear.....	35
Gear Pump.....	36
Hydrostatid Drive Motor.....	37
Lift & Tilt Valve.....	38
Lift Cylinder.....	39
Tilt Cylinder.....	39
Options & Accessories.....	40-47
Light Kit.....	40
Auxiliary Hydraulic Kit.....	41
Rear Hydraulic Kit.....	42
Bucket Tooth.....	43
Cement Bucket.....	43
Drawbar.....	43
Manure Fork.....	43
Pallet Fork.....	43
Fertilizer Bucket.....	44
Foundry Bucket.....	44
Produce Bucket.....	44
Utility Bucket.....	44
Grapple Fork.....	45
All Weather Enclosure.....	46-47
Decal Locations.....	48-49
Numerical Index.....	50-53
Torque Specifications & Attaching Hardware Table.....	Inside Back Cover

HL4400 - ENGINE (PERKINS)



Ref. No.	Part No.	Part Name	No. Req.
1	13E24	Roll Pin 1/4 x 1-1/4	2
2	H6187	Pump Support Washer	2
3	042826	Shim Washer	4
4	054798	Muffler	1
5	054799	Muffler Clamp	1
		(Two req'd. before Serial #2167)	
6	054808	Double Chain (#50-2) of 16 Links Including One (050409) Connector Link	1
7	054812	J-Clamp	3
	650548	RHMS #1024 x 1/2	1
		(1) #1024 HN - (1) #10 LW	
8	054816A	90° Male Adapter	2
9	054854	90° Male Adapter Elbow	1
		(Used before Serial #2035)	
10	054958	Radiator Cap	1



WARNING - Order By Part Number - Do Not Use Illustration Reference Numbers

Continued ►

HL4400 - ENGINE (PERKINS)

Ref. No.	Part No.	Part Name	No. Req.	Ref. No.	Part No.	Part Name	No. Req.
11	055014	Air Cleaner	1	40	056883	Engine Coupling Shaft	1
12	055015	Mounting Band	2		061577	HHCS 7/16NF x 1-5/8 Gr. 8	5
	650487	HHCS 5/16 x 1	4	41	056985	Engine Coupling Sprocket (16T)...	1
		(4) 5/16 HN - (4) PW - (4) LW			650204	SHSS 5/16 x 3/8	2
13	055016	Air Stack Cap	1	42	056986	Engine Mount - Right Front	1
14	055017	Air Cleaner Element	1		650631	HHCS 5/8 x 4	1
15	055018	Restriction Indicator	1		650633	HHCS 1/2 x 1-1/4NF	2
16	055030	Hose Clamp	5			(2) 1/2 LW	
17	055041	Radiator	1			(1) 5/8 HN - (1) LW	
		(2) 1/2 HN - (2) PW - (2) LW		43	056990	Engine Mount - Left Front	1
18	055042	Radiator Grill	1		650631	HHCS 5/8 x 4	1
	650487	HHCS 5/16 x 1	6		650633	HHCS 1/2NF x 1-1/4	2
		(6) 5/16 HN - (6) PW - (6) LW				(1) 1/2 LW	
19	055044	Radiator Mounting Support	2			(1) 5/8 HN - (1) LW	
	650491	HHCS 3/8 x 1-3/4	4	44	056993	Sedimentor Bracket	1
		(4) 3/8 HN - (8) PW - (4) LW			650490	HHCS 3/8 x 1	4
20	055047	Radiator Brace - Right	1			(4) 3/8 HN - (2) PW - (4) LW	
	650486	HHCS 5/16 x 3/4	1	45	056994	Trap To Lift Pump Tube	1
	650491	HHCS 3/8 x 1-1/4	1	46	056995	Starting Motor	1
		(1) 5/16 PW - (1) LW		47	056996*	Alternator	1
		(1) 3/8 HN - (2) PW - (1) LW		48	056997	90° Elbow	2
21	055048	Radiator Brace - Left	1	49	056999	Temperature Gage Sender Unit	1
	650486	HHCS 5/16 x 3/4	1	50	057000	Ether Cylinder	1
	650491	HHCS 3/8 x 1-1/4	1	51	057002	Pump Mounting Adapter	1
		(1) 5/16 PW - (1) LW			650634	HHCS 3/8 x 1	8
		(1) 3/8 HN - (2) PW - (1) LW				(8) 3/8 PW - (8) LW	
22	055049	Radiator Shim	2	52	057004	Radiator Hose - Upper	1
23	055050	Radiator Shim	2	53	057006	Tank To Trap Hose - 34"	1
		(Used before Serial #2035)		54	057007	Air Cleaner Hose - 34"	1
24	055108	Tail Pipe	1	55	057010	Ether Bracket	1
25	055124	Shroud Seal - Short	4	56	057013	Engine Mount	4
26	055125	Shroud Seal - Long	2	57	057014c	Washer	10
27	055335	Hose Clamp	2	58	057015	Exhaust Pipe	1
		(One req'd. before Serial #2167)		59	057019	Engine Mount - Right Rear	1
28	055576	Air Cleaner Spacer	2		650487	HHCS 5/16 x 1	1
29	059269	Ether Cylinder Gasket	1		650630	HHCS 7/16NF x 1	1
30	055577	Pump Sprocket (16T)	1		650631	HHCS 5/8 x 4	1
31	055982	Square Key 3/8 x 3/8 x 1	1			(1) 5/16 HN - (1) PW - (1) LW	
32	056042B	Gear Pump	1			(1) 7/16 LW	
33	056086	90° Male Elbow	2			(1) 5/8 HN - (1) LW	
		(Used after Serial #2034)		60	057023	Engine Mount - Left Rear	1
	054856	90° Male Adapter Elbow	2		650487	HHCS 5/16 x 1	1
		(Used before Serial #2035)			650630	HHCS NF x 1	1
34	056197B-E	Hydrostatic Pump	1		650631	HHCS 5/8 x 4	1
		(Used after Serial #1438)				(1) 5/16 HN - (1) PW - (1) LW	
	054199E	Hydrostatic Pump	1			(1) 7/16 LW	
		(Used before Serial #1439)				(1) 5/8 HN - (1) LW	
35	056198	Piston Pump - Rear	1	61	057026	Radiator Hose - Lower 22"	1
		(Used after Serial #1438)		62	057027	Pump Support	1
	056041F	Piston Pump	1		650486	HHCS 5/16 x 3/4	1
		(Used before Serial #1439)				(2) 5/16 HN - (1) PW - (2) LW	
36	056199B	Piston Pump - Front	1	63	057030	Injector To Tank Hose - 55"	1
		(Used after Serial #1438)		64	057080	Pump Mount - Lower	1
	056043G	Piston Pump	1	65	057081	Pump Mount - Upper	1
		(Used before Serial #1439)		66	057082	Pump Mount Spacer	1
37	056200	Hydraulic Tube	1	67	057543	Resistor Mount	1
38	056481	Engine (Complete)	1		650486	HHCS 5/16 x 3/4	1
39	056815	Oil Pressure Sender Unit	1			(1) 5/16 LW	

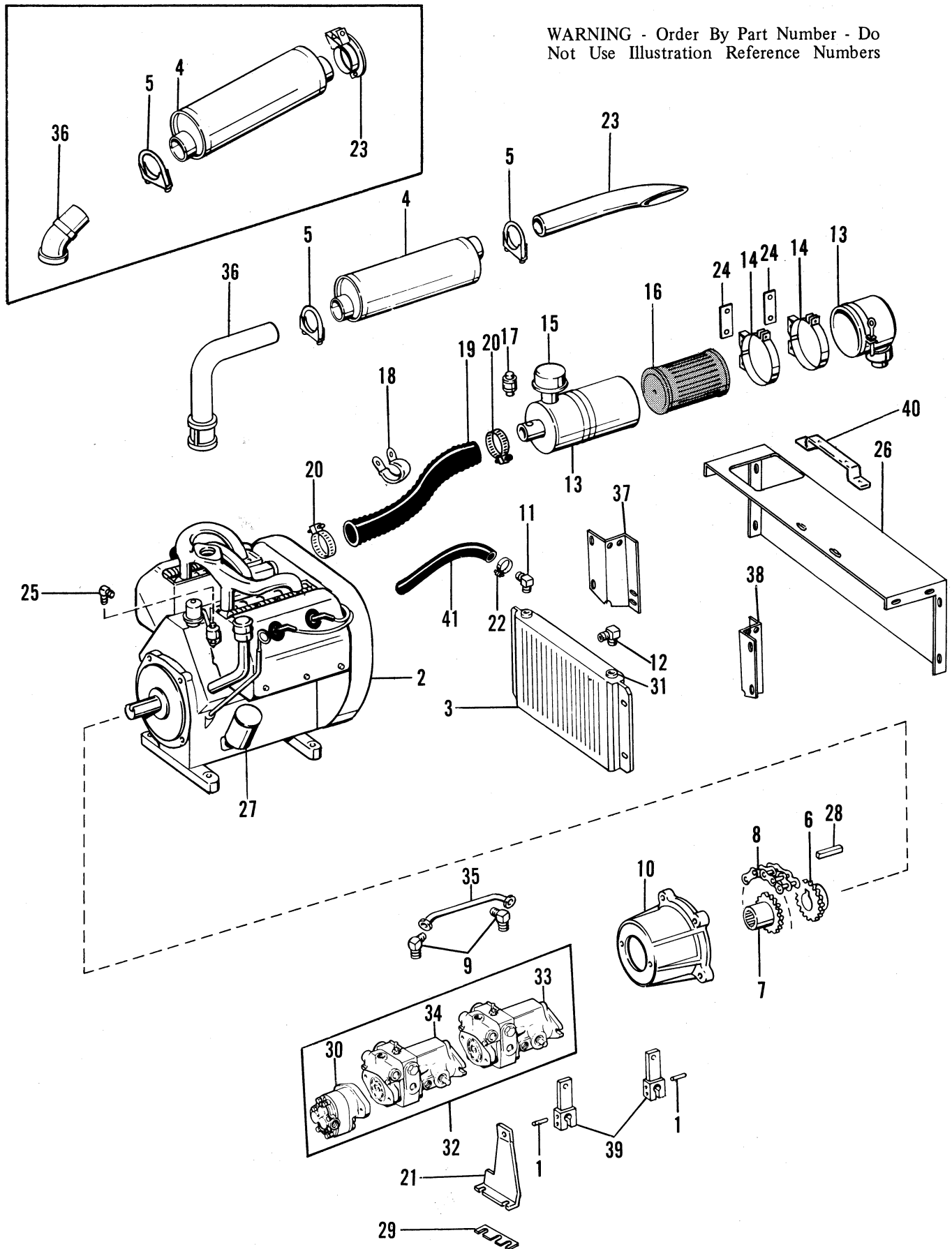
HL4400 - ENGINE (PERKINS)

Ref. No.	Part No.	Part Name	No. Req.	Ref. No.	Part No.	Part Name	No. Req.
68	057545	Resistor - 10 OHM	1	78	059451	Muffler Support	1
	650660	BHMS #632 x 3/8	2			(Used after Serial #2166)	
		(2) #632HN - (2) #6 ILW			650488	HHCS 3/8 x 3/4	1
69	058475	Quick Start Valve Assembled	1			(1) 3/8 LW	
70	058477	Ether Atomizer	1	79	061166	Hose Clamp	1
71	058525	Elbow	1	80	061577	Screw	5
72	058642	Fan Shroud	1	81	071414	Ether Tube	1
	650486	HHCS 5/16 x 3/4	2	82	650576	Pipe Plug - 1/2"	1
	650315	STWHS 1/4 x 1/2	4	83	650685	45° Street Elbow - 1/2"	1
		(2) 5/16 PW - (2) LW		84	660018	90° Street Elbow - 1/8"	1
73	058646	Fan Guard	1				
		(3) 1/4 HN - (3) PW - (3) LW					
74	058756D	Oil Cooler	1				
		(Used after Serial #2034)					
	054203D	Oil Cooler	1				
		(Used before Serial #2035)					
75	058802	Drain To Cooler Hose	1				
		(Used after Serial #2034)					
	054957	Oil Cooler Hose - 16"	1				
		(Used before Serial #2035)					
76	058805	Cooler Clamp	4				
		(Used after Serial #2034)					
77	058994	Pivot Arm	2				
		(Used after Serial #2166)					
	655012	Cotter Pin 1/8 x 1-3/4	2				
	650528	HHCS 3/8 x 2	2				
		(2) 3/8 HN					
	054823	Pivot Arm	2				
		(Used before Serial #2167)					

- A** To order Fitting O-Ring, specify part #055896.
- B** To service Hydraulic Pump, see pages 34-36.
- C** For replacement, order part #059450.
- D** For Oil Cooler and Hydraulic Plumbing after Serial #1685, see pages 29-30.
- E** To order Seal Kit, specify part #055220 for Serial #1000 through 1438 -- part #058531 after Serial #1438.
- F** For replacement, order part #056198.
- G** For replacement, order part #056199.
- * For replacement of Fan order part #061714.

HL4400 - ENGINE (WISCONSIN)

WARNING - Order By Part Number - Do Not Use Illustration Reference Numbers

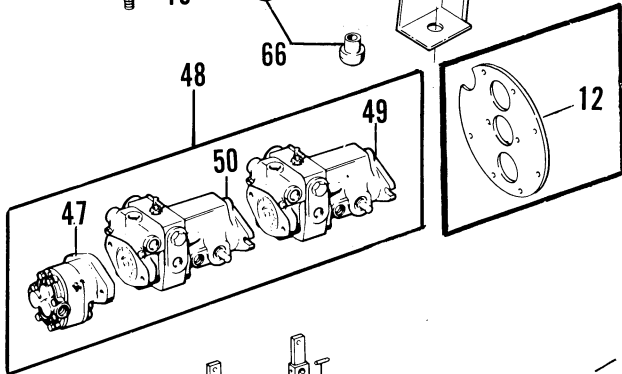
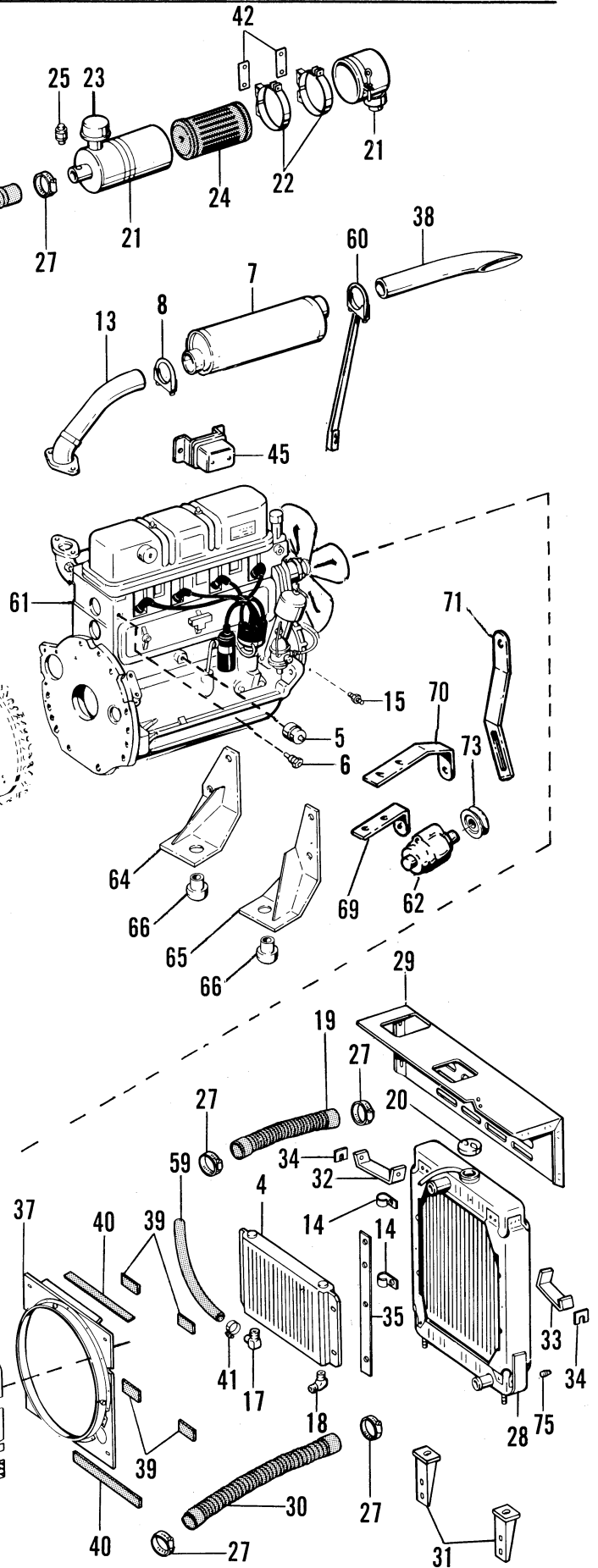
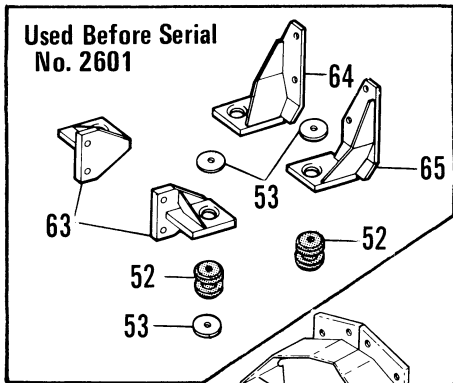
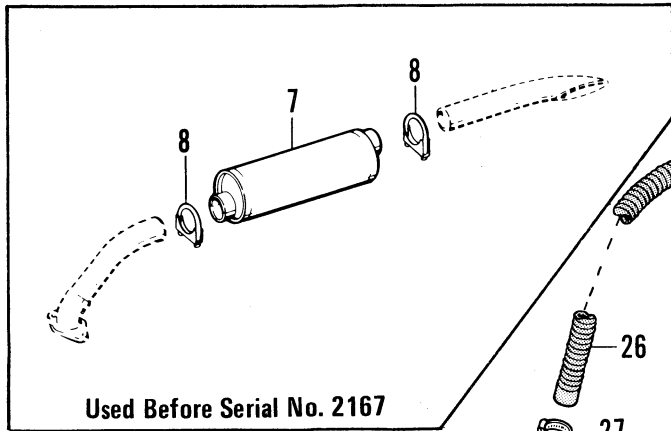


HL4400 - ENGINE (WISCONSIN)

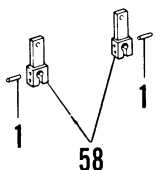
Ref. No.	Part No.	Part Name	No. Req.	Ref. No.	Part No.	Part Name	No. Req.	
1	13E24	Roll Pin 1/4 x 1-1/2	2	32	056197 B-C	Hydrostatic Pump (Used after Serial #1438)	1	
	(2) #8 PW				650491	HHCS 3/8 x 1-1/4	2	
2	054198	Engine (Complete)	1		(2) 3/8 PW - (2) LW			
	650502	HHCS 1/2 x 2-1/4	4		054199 D-C	Hydrostatic Pump (Used before Serial #1439)	1	
	(4) 1/2 HN - (4) LW				056198	Piston Pump - Rear (Used after Serial #1438)	1	
3	054203	Oil Cooler	1		056041 E	Piston Pump (Used before Serial #1439)	1	
4	054798	Muffler	1	33	056199	Piston Pump - Front (Used after Serial #1438)	1	
5	054799	Muffler Clamp (One req'd. before Serial #1580)	2		056043 F	Piston Pump (Used before Serial #1439)	1	
	(4) 3/8NF HLN				35	056200	Hydraulic Tube (Used after Serial #1205)	1
6	054803	Engine Coupling Sprocket (16T)	1		054817	Hydraulic Tube (Used before Serial #1206)	1	
	650204	S-L SHSS 5/16 x 3/8	2	34	056199	Piston Pump - Front (Used after Serial #1438)	1	
7	054805	Pump Sprocket (16T)	1		056043 F	Piston Pump (Used before Serial #1439)	1	
8	054808	Double Chain (#50-2) of 16 Links Including One (050409) Connector Link	1		35	056200	Hydraulic Tube (Used after Serial #1205)	1
9	054816 A	90° Male Adapter Angle	2		054817	Hydraulic Tube (Used before Serial #1206)	1	
10	054830	Engine Adapter	1	36	058406	Exhaust Pipe (Used after Serial #1579)	1	
	650534	HHCS 7/16 x 2	4		055937 G	Exhaust Pipe (Used before Serial #1580)	1	
	(4) 7/16 LW				37	058499	Oil Cooler Bracket - Right (Used after Serial #1696)	1
11	054854	90° Male Adapter Elbow (Used before Serial #2035)	1		650490	HHCS 3/8 x 1	2	
12	056091	90° Male Elbow (Used after Serial #2166)	2		650491	HHCS 3/8 x 1-1/4	2	
	054856	90° Male Adapter Elbow (Used before Serial #2167)	1		(4) 3/8 HN - (8) PW - (4) LW			
13	055014	Air Cleaner	1	38	058500	Oil Cooler Bracket - Left (Used after Serial #1696)	1	
14	055015	Mounting Band	2		650490	HHCS 3/8 x 1	2	
	650487	HHCS 5/16 x 1	4		650491	HHCS 3/8 x 1-1/4	2	
	(4) 5/16 HN - (4) PW - (4) LW				(4) 3/8 HN - (4) LW - (8) PW			
15	055016	Air Stack Cap	1		055057 H	Oil Cooler Bracket - Left (Used before Serial #1697)	1	
16	055017	Air Cleaner Element	1	39	058994	Pivot Arm (Used after Serial #2166)	2	
17	055018	Restriction Indicator	1		650528	HHCS 3/8 x 2	2	
18	055019	Hose Clamp	1		655012	Cotter Pin 1/8 x 1-3/4	2	
	650448	HHCS 1/4 x 3/4	1		(2) 3/8 HN			
19	055022	Air Cleaner Hose - 34"	1		054823	Pivot Arm (Used before Serial #2167)	2	
20	055030	Hose Clamp	2	40	059005	Muffler Bracket (Wisconsin) (Used after Serial #2166)	1	
21	055034	Pump Support	1		650487	HHCS 5/16 x 1	2	
	650486	HHCS 5/16 x 3/4	1		(2) 5/16 HN - (2) PW - (2) LW			
	(1) 5/16 HN - (1) PW - (1) LW			41	059144	Oil Cooler Hose - 10" (Used after Serial #2166)	1	
	(2) 3/8 HN - (2) PW - (2) LW				054957	Oil Cooler Hose - 16" (Used before Serial #2167)	1	
22	055335	Hose Clamp (Used before Serial #2167)	1					
23	055108	Tail Pipe (Used after Serial #1579)	1					
	055338	Exhaust Rain Cap (Used before Serial #1580)	1					
24	055576	Air Cleaner Spacer	2					
25	055711	90° Male Adapter Elbow	1					
26	055868	Cover Panel - Rear	1					
	650487	HHCS 5/16 x 1	6					
	(6) 5/16 HN - (6) PW - (6) LW							
27	055916	Engine Oil Filter	1					
28	055982	Square Key 3/8 x 3/8 x 1	1					
29	056022	Pump Support Shim (Used after Serial #1566)	1					
30	056042	Gear Pump	1					
31	056087	Male Connector (Used after Serial #2166)	1					

- A** To order O-Ring, Specify Part #055896.
- B** For Hydraulic Pump Service Parts, see pages 34-36.
- C** To order Seal Kit, Specify 055220 (For Serial #1000 through 1438) and 058531 (after Serial #1438)
- D** For Replacement, order Part #056197.
- E** For Replacement, order Part #056198.
- F** For Replacement, order Part #056199.
- G** For Replacement, order Part #058406, one 055108 and one 054799.
- H** For Replacement, order Part #058500.
- J** For Replacement, order Part #058499.

HL4400 - ENGINE (FORD - GAS)



- 2 — [washer]
- 56 — [nut]
- 55 — [washer]
- 57 — [bracket]
- 54 — [nut]
- 2 — [washer]
- 3 — [bracket]



46 *NEW*

WARNING - Order By Part Number - Do Not Use Illustration Reference Numbers

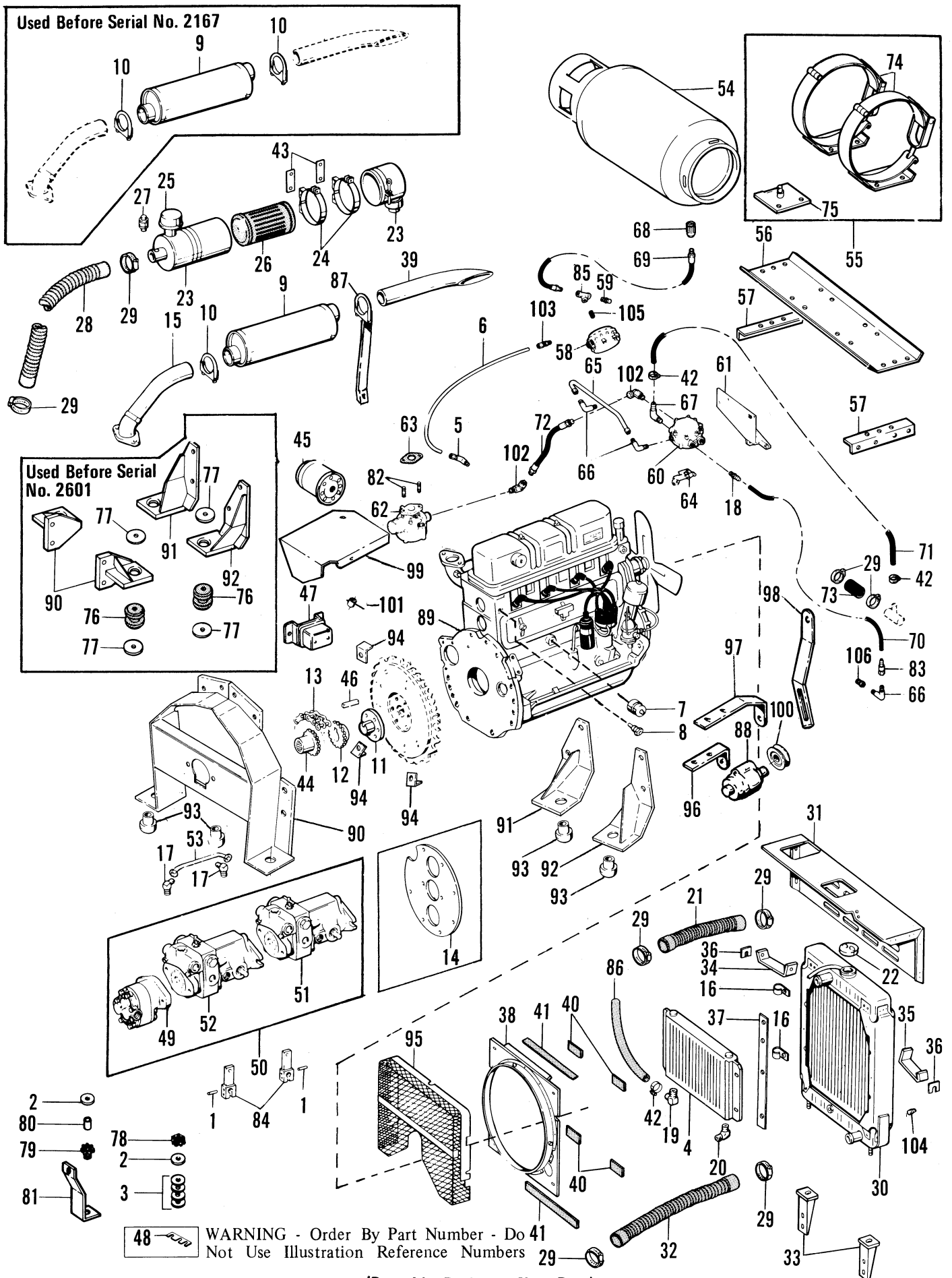
HL4400 - ENGINE (FORD - GAS)

Ref. No.	Part No.	Part Name	No. Req.	Ref. No.	Part No.	Part Name	No. Req.
1	13E24	Roll Pin 1/4 x 1-1/2	2	33	055048	Radiator Brace - Left	1
	(2) #8 PW				650486	HHCS 5/16 x 3/4	1
2	H6187	Pump Support Washer (Used after Serial #1566)	2		650491	HHCS 3/8 x 1-1/4	1
3	042826	Shim Washer (Used after Serial #1566)	4		(1) 5/16 PW - (1) LW		
					(1) 3/8 HN - (2) PW - (1) LW		
4	054203	Oil Cooler	1	34	055049	Radiator Shim	As Req.
5	054795A	Oil Pressure Sender Unit	1	35	055050	Radiator Shim	As Req.
6	054796	Water Temperature Sender - 3/8	1	36	055058	Carburetor Adapter	1
	055913	Water Temperature Sender - 5/8 (Used before Serial #1253)	1	37	055065	Fan Shroud	1
7	054798	Muffler	1		650486	HHCS 5/16 x 3/4	2
8	054799	Muffler Clamp (Two req'd. before Serial #2167)	1		650315	HWHSTS 1/4 x 1/2	2
	(1) 5/16 NF HLN				(2) 5/16 PW - (2) LW		
9	054800	Engine Coupling Shaft	1	38	055108	Tail Pipe	1
10	054803	Engine Coupling Sprocket (16T)	1	39	055124	Shroud Seal - Short	4
	650204	S-L SHSS 5/16 x 3/8	2	40	055125	Shroud Seal - Long	2
11	054808	Double Chain (#50) of 16 Links Including One (050409) Connector Link	1	41	055335	Hose clamp (Used before Serial #2167)	1
12	054809	Pump Mounting Plate (Used before Serial #2601)	1	42	055576	Air Cleaner Spacer	2
13	054810	Exhaust Pipe	1	43	055577	Pump Sprocket (16T)	1
	650491	HHCS 3/8 x 1-1/4	2	44	055982	Square Key 3/8 x 3/8 x 1	1
	(2) 3/8 HN - (2) LW			45	056015	Voltage Regulator (Used before Serial #2601)	1
14	054812	J-Clamp	2	46	056022	Pump Support Shim (Used before Serial #1567)	1
	650315	HWHHS 1/4 x 1/2	2	47	056042c	Gear Pump	1
15	054815	Male Connector	1	48	056197c-D	Hydrostatic Pump (Used after Serial #1438)	1
16	054816B	90° Male Adapter Elbow	2		650491	HHCS 3/8 x 1-1/4	2
17	054854	90° Male Adapter Elbow (Used before Serial #2167)	1		(2) 3/8 HN - (2) LW		
18	054856	90° Male Adapter Elbow (Five req'd. before Serial #2167)	2	054199D-E	Hydrostatic Pump (Used before Serial #1439)		1
19	054956	Radiator Hose - Upper 12"	1	49	056198c	Piston Pump - Rear (Used after Serial #1438)	1
20	054958	Radiator Cap	1		056041F	Piston Pump (Used before Serial #1439)	1
21	055014	Air Cleaner	1	50	056199c	Piston Pump - Front (Used after Serial #1438)	1
22	055015	Mounting Band	2		056043G	Piston Pump (Used before Serial #1439)	1
	650487	HHCS 5/16 x 1	4	51	056200	Hydraulic Tube (Used after Serial #1205)	1
	(4) 5/16 HN - (4) PW - (4) LW				054817	Hydraulic Tube (Used before Serial #1206)	1
23	055016	Air Stack Cap	1	52	057013	Engine Mount (Used after Serial #1566 & before Serial #2601)	4
24	055017	Air Cleaner Element	1	53	057014H	Washer (Used after Serial #1566 & before Serial #2601)	8
25	055018	Restriction Indicator	1	54	057080	Pump Mount - Lower (Used after Serial #1566)	1
26	055022	Air Cleaner Hose - 34"	1	55	057081	Pump Mount - Upper (Used after Serial #1566)	1
27	055030	Hose Clamp	6	56	057082	Pump Mount Spacer (Used after Serial #1566)	1
28	055041	Radiator (2) 1/2 HN - (2) PW - (2) LW	1	57	057332	Pump Support (Used after Serial #1566)	1
29	055042	Radiator Grill	1		650486	HHCS 5/16 x 3/4	1
	650487	HHCS 5/16 x 1	6		(2) 5/16 HN - (2) PW - (2) LW - (1) 1/2 HN		
	(6) 5/16 HN - (6) PW - (6) LW						
30	055043	Radiator Hose - Lower 22"	1				
31	055044	Radiator Mounting Support	2				
	650491	HHCS 3/8 x 1-1/4	4				
	(4) 3/8 HN - (8) PW - (4) LW						
32	055047	Radiator Brace - Right	1				
	650486	HHCS 5/16 x 3/4	1				
	650491	HHCS 3/8 x 1-1/4	1				
	(1) 5/16 PW - (1) LW						
	(1) 3/8 HN - (2) PW - (1) LW						

HL4400 - ENGINE (FORD - GAS)

Ref. No.	Part No.	Part Name	No. Req.	Ref. No.	Part No.	Part Name	No. Req.
	055034	Pump Support	1	66	060039	Isolation Mounting	4
		(Used before Serial #1567)				(Used after Serial #2600)	
58	058994	Pivot Arm	2	67	060040	Retaining Clip	3
		(Used after Serial #2166)				(Used after Serial #2600)	
	655012	Cotter Pin 1/8 x 1-3/4	2		650487	HHCS 5/16 x 1	3
	650528	HHCS 3/8 x 2	2			(3) 5/16 LW	
		(2) 3/8 HLN		68	060041	Fan Guard	1
	054823	Pivot Arm	2			(Used after Serial #2600)	
		(Used before Serial #2167)				(3) 1/4 HN - (3) PW - (3) LW	
59	059144	Oil Cooler Hose - 10"	1	055051	Fan Guard	1	
		(Used after Serial #2166)				(Used before Serial #2601)	
	054957	Oil Cooler Hose - 16"	1	69	060045	Alternator Bracket	1
		(Used before Serial #2167)				(Used after Serial #2600)	
60	059222	Muffler Support	1	70	060046	Alternator Bracket	1
		(Used after Serial #2166)				(Used after Serial #2600)	
	650488	HHCS 3/8 x 3/4	1		650819	HHCS 7/16 x 1	2
		(1) 3/8 LW			650490	HHCS 3/8 x 1	1
61	059582	Engine - Gas	1			(1) 3/8 LW	
		(Used after Serial #2600)				(2) 7/16 LW	
	650821	HHCS 5/8 x 1	2	71	060047	Alternator Take-up	1
	650660	RHMS #632 x 3/8	1			(Used after Serial #2600)	
		(2) 1/2 HN			650487	HHCS 5/16 x 1	1
		(2) 5/8 HN			650818	HHCS 3/8 x 3	1
62	059583J	Alternator - 35 AMP	1			(1) 5/16 LW	
		(Used after Serial #2600)				(1) 3/8 LW	
63	060028	Motor Mount - Front	1	72	060058	Starter Shield	1
		(Used after Serial #2600)				(Used after Serial #2600)	
	650532	HHCS 5/8 x 1-1/2	2		650542	HHCS 1/4 x 1/2	1
	650694	HHCS 5/8 x 2-1/2	2			(1) 1/4 LW	
	650819	HHCS 7/16 x 1	4	059224	Starter Shield	1	
		(4) 7/16 LW				(Used after Serial #2166 & before Serial #2601)	
		(4) 5/8 HN - (4) PW - (4) LW		73	060070	Alternator Pulley	1
	057333	Motor Mount - Front	2			(Used after Serial #2600)	
		(Used before Serial #2601)		74	620041	Bumper Stem	1
64	060034	Engine Mount - Right Rear	1			(Used after Serial #2166)	
		(Used after Serial #2600)		75	650517	Pipe Plug - 1/4"	1
	650694	HHCS 5/8 x 2-1/2	1				
	650532	HHCS 5/8 x 1-1/2	2				
		(4) 5/8 HN - (2) PW - (3) LW					
	057519	Engine Mount - Right Rear	1				
		(Used after Serial #1566 & before Serial #2601)					
	054790	Engine Mount - Right	1				
		(Used before Serial #1567)					
65	060037	Engine Mount - Left Rear	1				
		(Used after Serial #2600)					
	650694	HHCS 5/8 x 2-1/2	1				
	650532	HHCS 5/8 x 1-1/2	2				
		(4) 5/8 HN - (2) PW - (3) LW					
	057523	Engine Mount - Left Rear	1				
		(Used after Serial #1566 & before Serial #2601)					
	054793	Engine Mount - Left	1				
		(Used before Serial #1567)					

- A** For replacement, order part #056815.
- B** For Fitting O-Ring, order part #055896.
- C** For Hydraulic Pump Service Parts, see pages 34-36.
- D** To order Seal Kits, specify part #055220 (For Serial #1000 through 1438) & Kit #058531 (For Units after Serial #1438).
- E** For replacement, order part #056197.
- F** For replacement, order part #056198.
- G** For replacement, order part #056199.
- H** For replacement, order part #059450.
- J** For replacement, order part #063568.
- K** For replacement, order part #059582.



48 **WARNING - Order By Part Number - Do 41**
 Not Use Illustration Reference Numbers

(Parts List Begins on Next Page)

HL4400 - ENGINE (FORD - LPG)

Ref. No.	Part No.	Part Name	No. Req.	Ref. No.	Part No.	Part Name	No. Req.
57	056294	Mounting Bracket	2	85	059113	Tee - 1/4	1
	650490	HHCS 3/8 x 1	6			(Used after Serial #2166)	
	(6) 3/8	HN - (6) LW		660090J		Tee - 1/4	1
58	056295	Fuel Filter & Vacuum Shut-off	1			(Used before Serial #2167)	
	(2) 1/4	LW		86	059144	Oil Cooler Hose 10"	1
59	056296	Hydrostatic Relief Valve	1			(Used after Serial #2166)	
60	056297	LP Converter	1	054957		Oil Cooler Hose 16"	1
	(2) 1/4	LW				(Used before Serial #2167)	
61	056298	Converter Mounting Bracket	1	87	059222	Muffler Support	1
	650490	HHCS 3/8 x 1	2			(Used after Serial #2166)	
	(2) 3/8	LW		650488		HHCS 3/8 x 3/4	1
62	056302	LP Carburetor	1		(1) 3/8	LW	
	(2) 5/16	HJN - (2) LW		88	059583K	Alternator - 35AMP	1
63	056303	Carburetor Gasket	1			(Used after Serial #2600)	
64	056304	Mechanical Primer	1	89	059584	Engine (Complete)	1
65	056305	Fuel Line	1			(Used after Serial #2600)	
66	056307	90° Male Elbow	3	650351		HHCS 5/16 x 2-1/2	2
67	056309	90° Male Elbow	1	650821		HHCS 5/8 x 1	2
68	056310	Tank Coupling	1		(2) 5/8	LW	
69	056311	Adapter Hose - 20"	1	056095L		Engine (Complete)	1
70	056312	Heating Hose - Upper 10"	1			(Used before Serial #2601)	
71	056313	Heating Hose - Lower 22"	1	90	060028	Motor Mount - Front	1
72	056314	Vapor Hose - 13.5"	1			(Used after Serial #2600)	
73	056315	Coupling Hose	1	650532		HHCS 5/8 x 1-1/2	2
74	056325	Tank Clamp	2	650694		HHCS 5/8 x 2-1/2	2
	650498	HHCS 5/16 x 1	8	650819		HHCS 7/16 x 1	4
	(8) 5/16	HN - (8) LW			(4) 7/17	LW	
75	056328	Tank Pin Bracket	1		(4) 5/8	HN - (4) PW - (4) LW	
76	057013	Engine Mount	1	057333		Motor Mount - Front	2
		(Used after Serial #1566 & before Serial #2601)				(Used before Serial #1566 & before Serial #2601)	
77	057014H	Washer	8	91	060034	Engine Mount - Right Rear	1
		(Used after Serial #1566 & before Serial #2601)				(Used after Serial #2600)	
78	057080	Pump Mount - Lower	1	650694		HHCS 5/8 x 2-1/2	1
		(Used after Serial #1566)		650532		HHCS 5/8 x 1-1/2	2
79	057081	Pump Mount - Upper	1		(1) 5/8	HN - (2) PW - (3) LW	
		(Used after Serial #1566)		057519		Engine Mount - Right Rear	1
80	057082	Pump Mount Spacer	1			(Used after Serial #1566 & before Serial #2601)	
		(Used after Serial #1566)		054790		Engine Mount - Rear	1
81	057332	Pump Support	1			(Used before Serial #1567)	
		(Used after Serial #1566)		92	060037	Engine Mount - Left Rear	1
	650486	HHCS 5/16 x 3/4	1			(Used after Serial #2600)	
	(2) 5/16	HN - (2) PW - (2) LW		650694		HHCS 5/8 x 2-1/2	1
	055034	Pump Support	1	650532		HHCS 5/8 x 1-1/2	2
		(Used before Serial #1567)			(1) 5/8	HN - (2) PW	
82	058454	Carburetor Stud	2	057523		Engine Mount - Left Rear	1
83	058455	Swivel Coupling w/ Barb	1			(Used after Serial #1566 & before Serial #2601)	
84	058994	Pivot Arm	2	054793		Engine Mount - Rear	1
		(Used after Serial #2166)				(Used before Serial #1567)	
	655012	Cotter Pin 1/8 x 1-3/4	2	93	060039	Isolation Mounting	4
	650528	HHCS 3/8 x 2	2			(Used after Serial #2600)	
	(2) 3/8	HN		94	060040	Retaining Clip	3
	054823	Pivot Arm	2			(Used after Serial #2600)	
		(Used before Serial #2167)		650487		HHCS 5/16 x 1	3
					(3) 5/16	LW	

Continued ►

