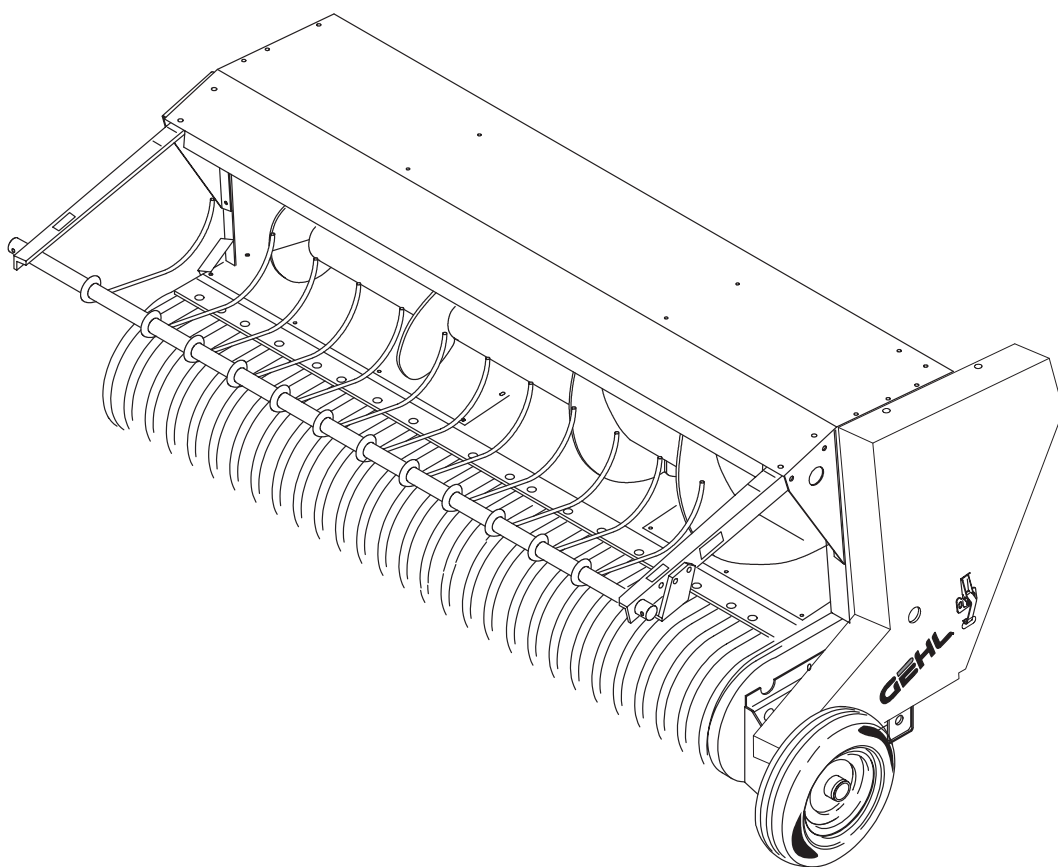


Form No.
907552
Replaces
906132

HA1210

Hay Attachment



PARTS MANUAL

GEHL® AGRICULTURE

Introduction

When ordering service parts, specify the correct part number, full description, quantity required, the unit model number and serial number.

The model number and serial number for this unit are on a decal located on the Main Frame below the right Quick-switch Yoke and next to the Attachment Stand. “Right” and “Left” are determined from a position standing behind the unit and facing toward the direction of travel. From this position the Drive Chains are on the “Left” side.

GEHL® Company reserves the right to make changes or improvements in the design or construction of any part of the unit without incurring the obligation to install such changes on any previously delivered units.

NOTE: *On original tire replacement, company policy prohibits the sale of replacement tires for all GEHL machinery. Replacement Wheel Sets are available and tire size information is called out with the Wheel Sets to facilitate replacement tire selection. ALL REPLACEMENT TIRES MUST BE PURCHASED LOCALLY.*

Refer to the abbreviations table located on this page for the various fastener descriptions. Standard attaching hardware torque values are also provided on the inside back cover.

In the exploded view parts list, Reference Numbers may have additional information following the Reference Number.

A Tear Drop symbol will indicate an application of a “wet” product such as oil, and the number inside the Tear Drop will correspond to the description in the Parts List.

Also, a number inside a hexagon will be the torque value required, in foot pounds, on the associated Reference Number. Items shown in the parts list that do not have Reference Numbers are shown for reference purposes only and are NOT available for purchase.

Unless otherwise specified, all Cap Screws or Bolts are Grade 5, cadmium or zinc plated; Hexagon Nuts for Grade 5 Screws or Bolts are Grade B; Hexagon Nuts for other Screws or Bolts are Grade A.

NOTE: *The following abbreviations may be used herein:*

AR	– As Required
ASSD	– Assembled
ASSY	– Assembly
CB	– Carriage Bolt
CCW	– Counterclockwise
CP	– Cotter Pin
CS	– Cap Screw (Hexagon Head)
CTR	– Center
CW	– Clockwise
DEG	– Degree
DIA	– Diameter
FCS	– Flanged Cap Screw
FHMS	– Flat Head Machine Screw
FL	– Flanged
FLN	– Flanged Lock Nut (Hexagon)
FLS	– Flanged Lock Screw (Hexagon)
FW	– Flat Washer
GA	– Gauge
GR	– Grade
HD	– Hard or Head
HN	– Hex Nut
INCL	– Includes
JT	– Joint
LG	– Large
LH	– Left Hand
LN	– Lock Nut
LW	– Lock Washer
M	– Metric
MM/mm	– Millimeter
NF	– National Fine
PB	– Plow Bolt
PTO	– Power Take Off
RH	– Right Hand
RHMS	– Round Head Machine Screw
RPM	– Revolutions Per Minute
RT	– Right
SERR	– Serrated
SHCS	– Socket Head Cap Screw
SHSS	– Socket Head Set Screw
SN	– Serial Number or Slotted Nut
SQ	– Square
T	– Tooth or Teeth
TFS	– Thread Forming Screw
THMS	– Truss Head Machine Screw
THRD	– Thread
WLDMT	– Weldment
#	– Number
	– Torque Required in foot pounds
	– Indicates a Fluid Application

TABLE OF CONTENTS

Introduction	Inside Front Cover
Table of Contents	1
Decal Locations	2-3
Main Frame	4-5
Pickup	6-9
Auger	10-13
Drives	14-17
Holddown & Shields	18-19
Accessories	20-24
Tank Completing Parts	20 & 22
CB750/760 & CB860/865	20
CB1060/1065 & CB1260/1265	22
Control Boxes	21 & 23
Solenoid Housing	21 & 23
Auger Cover Kit	24
Water Tank & Mounting Parts	24
Alphabetical Index	25
Numerical Index	26-
Standard Hardware Torque specifications	Inside Back Cover

DECAL LOCATIONS

GENERAL INFORMATION

Decal Locations information is provided to assist in the proper selection and application of new decals, in the event the original decal(s) become(s) damaged or the machine is repainted. Refer to the listing for the illustration reference number, part number, description and quantity of each decal provided in the Kit. Refer to the appropriate illustration(s) for replacement location(s).

NOTE: Refer to the *SAFETY Chapter of the Operator's Manual for the specific information provided on all of the various Safety Decals furnished in the Decal Kit(s).*

To insure proper selection for correct replacement decal(s), compare all of the various close-up location photographs to your machine **BEFORE** starting to refinish the unit. Then, circle each pictured decal (applicable to your machine) while checking off its part number in the listing. After you have verified all the decals needed for replacement, set aside unneeded decals for disposal.

NEW DECAL APPLICATION

Surfaces **MUST** be free from dirt, dust, grease and other foreign material before applying the new decal. To apply a solid-formed decal, remove the smaller portion of the decal backing paper and apply this part of the exposed adhesive backing to the clean surface while maintaining proper position and alignment. Slowly peel off the other portion of the backing paper while applying hand pressure to smooth out the decal surface.



CAUTION

ALWAYS observe Safety Rules shown on Decals. If Decals become damaged, or if the unit is repainted, replace the Decals. If repainting, **BE SURE** that **ALL** Decals from the Kit(s) which apply to your machine, are affixed to your unit.

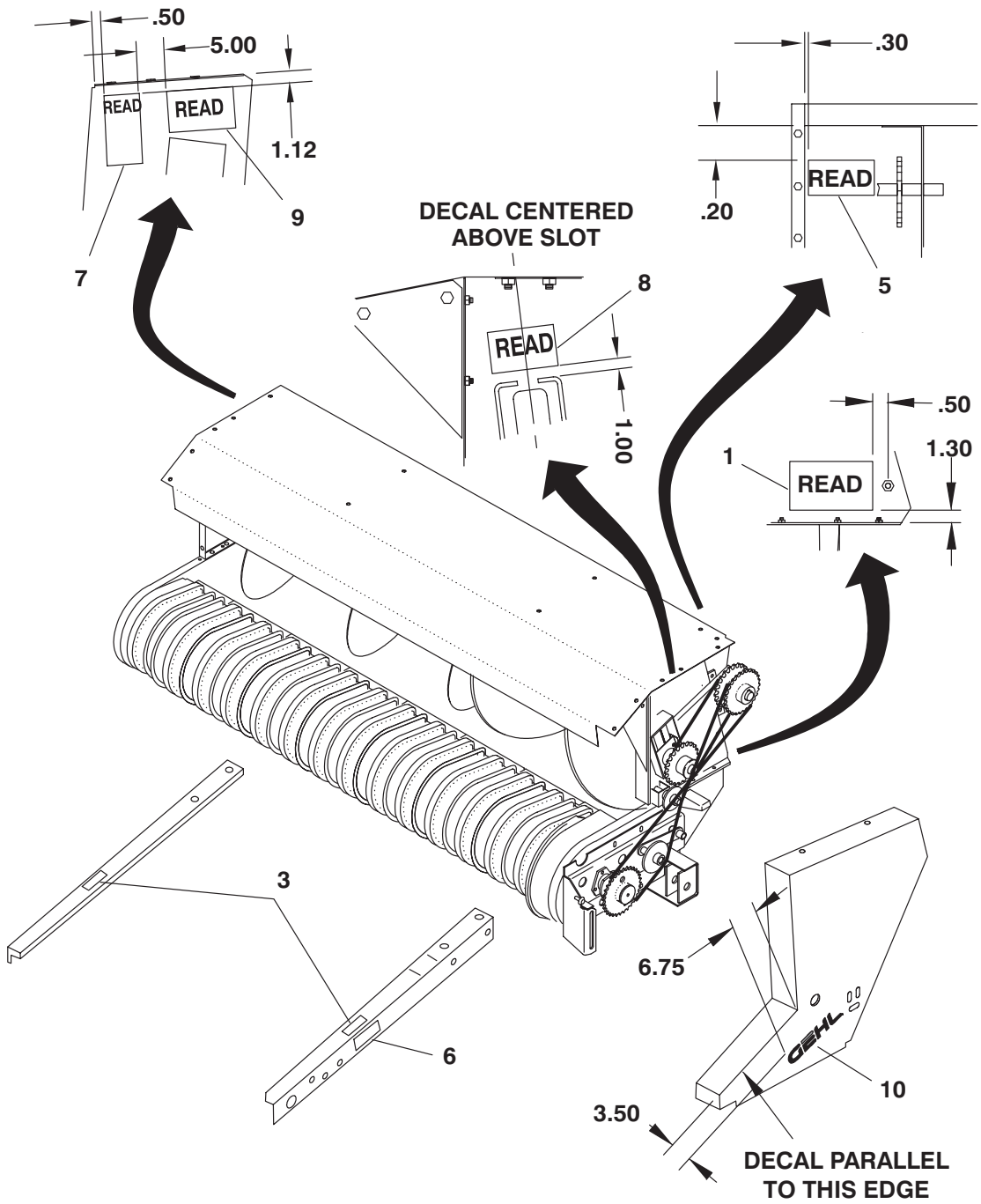
PAINT NOTICE

Use this list to order paint for refinishing:

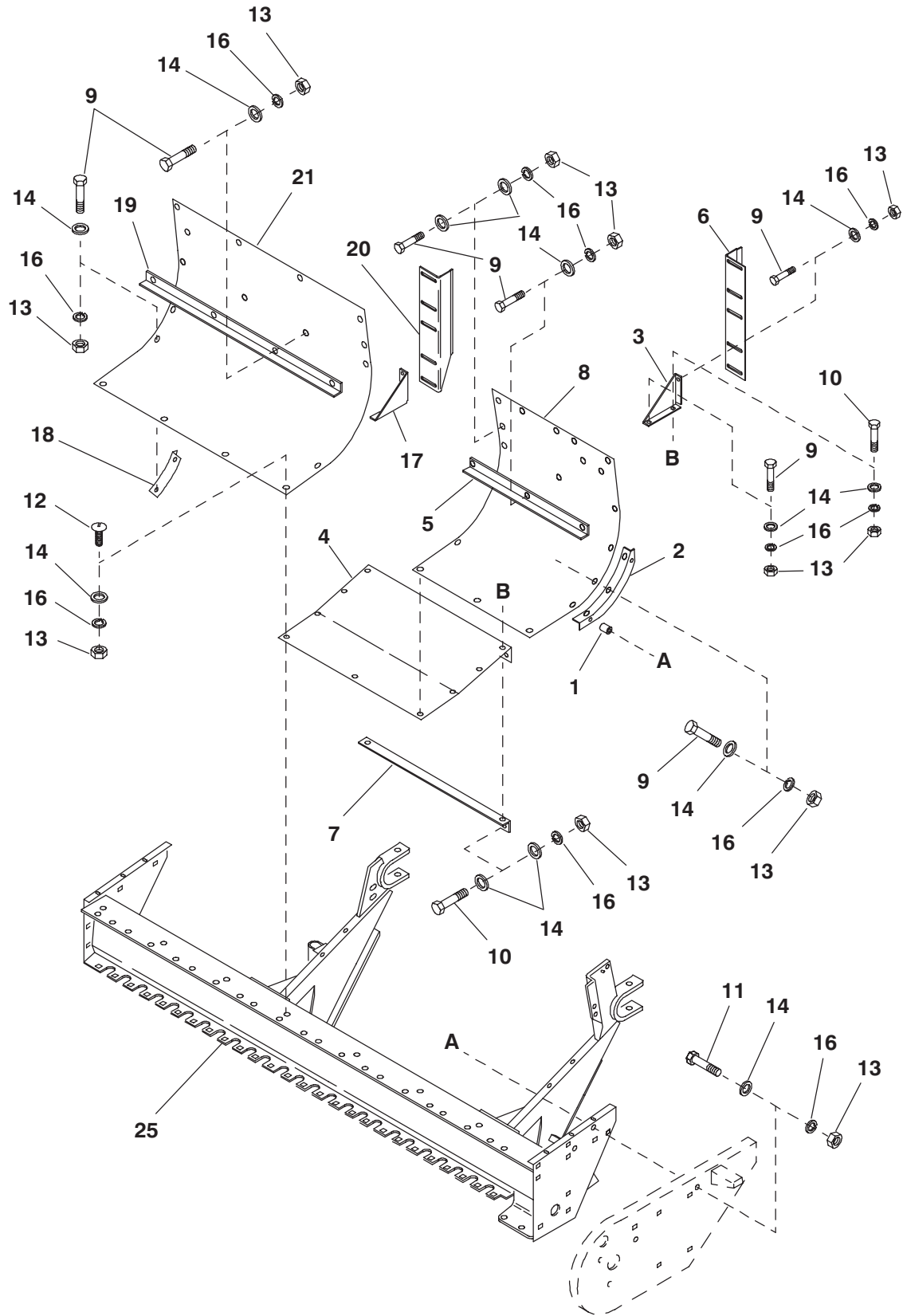
906315	One Gal. AG Red
906324	One Qt. Light Grey
906316	6 (12 oz. Spray Cans) AG Red
906325	6 (12 oz. Spray Cans) Light Grey

The Decal Set Number for the HA1210 is 093512. The Set includes the following:

Ref. No.	Part No.	Description & Quantity
1.	060347	Pickup Drive Chain Setup
	061201	GEHL (Early Model Not Shown)
3.	069543	Do NOT Lift (2 Places)
	075808	Stripe (2 Places) (Early Model Not Shown)
5.	078062	Shear Bolt
6.	078085	Holddown Tines
7.	091442	DANGER – Rotating Auger
8.	093365	WARNING – Rotating Component
9.	093445	DANGER – Hand Feed
10.	126345	GEHL



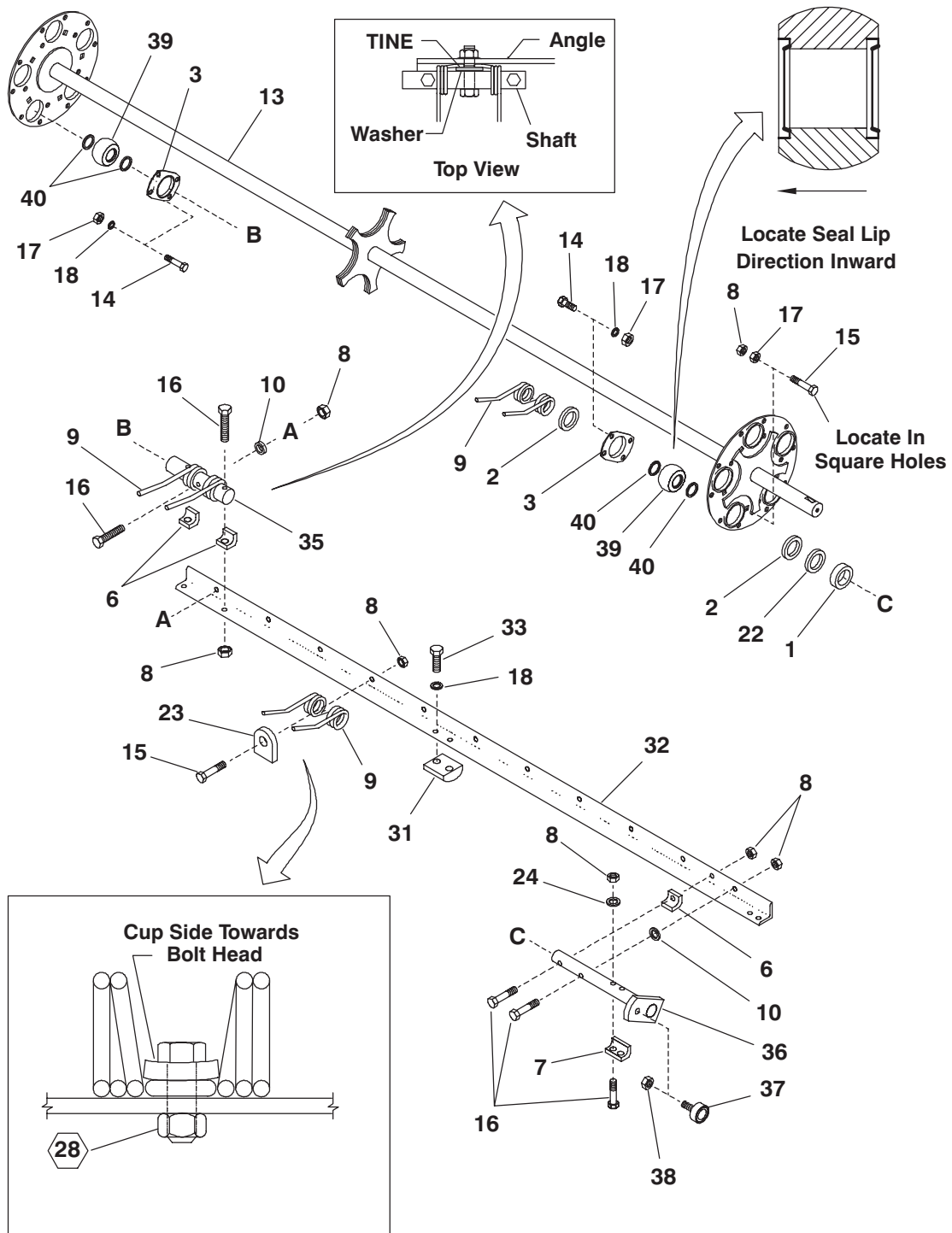
HA1210 - MAIN FRAME



HA1210 - MAIN FRAME

Ref. No.	Part No.	Description	Qty. Req.	Ref. No.	Part No.	Description	Qty. Req.
01	9H318	BUSHING/SHIFTER	1	12	650949	THMS5/16X3/4	10
02	069571	SUPPORT/AUGER TROUGH LT	1	13	653007	HN 5/16	31
03	069573	FILLER/LT	1	14	654004	FW 5/16	27
04	069580	TROUGH/AUGER CENTER	1	16	654024	LW 5/16	31
05	070000	STRIPPER/AUGER LT	1	17	069572	FILLER/RT	1
06	070002	SHEET/THROAT LT	1	18	069595	SUPPORT/AUGER TROUGH RT	1
07	073775	SUPPORT/AUGER TROUGH CENTER .	1	19	069999	STRIPPER/AUGER RT	1
08	077894	TROUGH/AUGER LT	1	20	070001	SHEET/THROAT RT	1
09	650486	CS 5/16X3/4	16	21	077893	TROUGH/AUGER RT	1
10	650487	CS 5/16X1	4	25	077864	FRAME/ASSY	1
11	650725	CS 5/16X2-1/4	1				

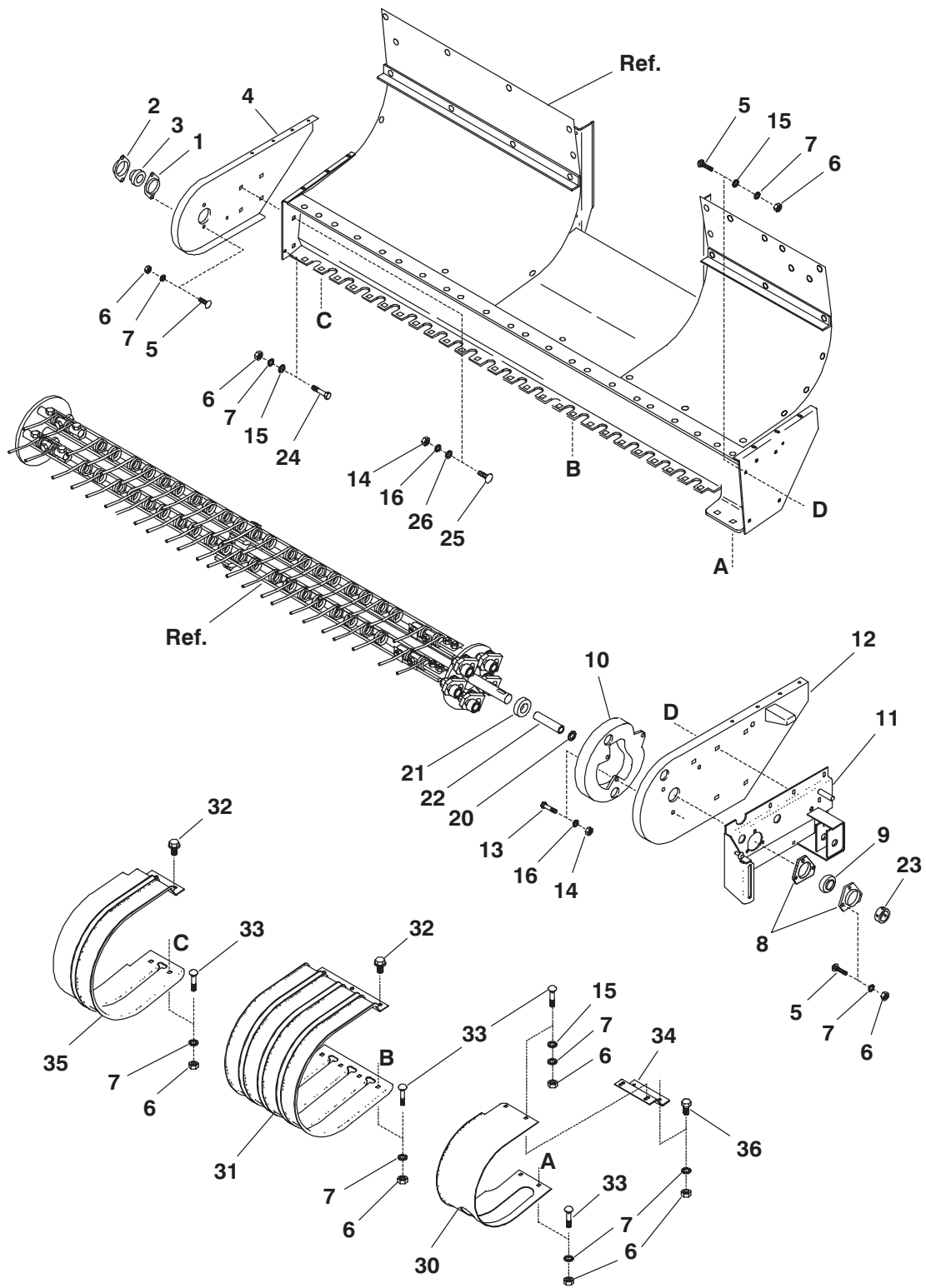
HA1210 - PICKUP



HA1210 - PICKUP

Ref. No.	Part No.	Description	Qty. Req.	Ref. No.	Part No.	Description	Qty. Req.
01	7H37	SPACER	5	18	654026	LW 3/8	37
02	128015	FW 1-1/32	10	22	H7126	FW 1-1/32	5
03	H7125	RETAINER/BEARING	10	23	112645	CLIP/TINE	55
06	071048	SPACER/TINE BAR	9	24	654004	FW 5/16	10
07	071049	SPACER/TINE BAR	5	31	059897	BEARING/TINE HOLDER	1
08	071703	LN 3/8	83	32	077934	HOLDER/TINE	1
09	071787	TINE/PICKUP	61	33	650490	CS 3/8X1	2
10	071788	FW 13/32	6	35	069579	SHAFT/TINE HOLDER RT	1
13	077910	SHAFT/PICKUP ASSY	1	36	069587	ARM/CAM	1
14	650488	CS 3/8X3/4	35	37	059890	FOLLOWER/CAM	1
15	650491	CS 3/8X1-1/4	60	38	081372	HN 1/2	1
16	650528	CS 3/8X2	23	39	056249	BEARING/SINTERED	10
17	653010	HN 3/8	40	40	041881	SEAL/OIL	20

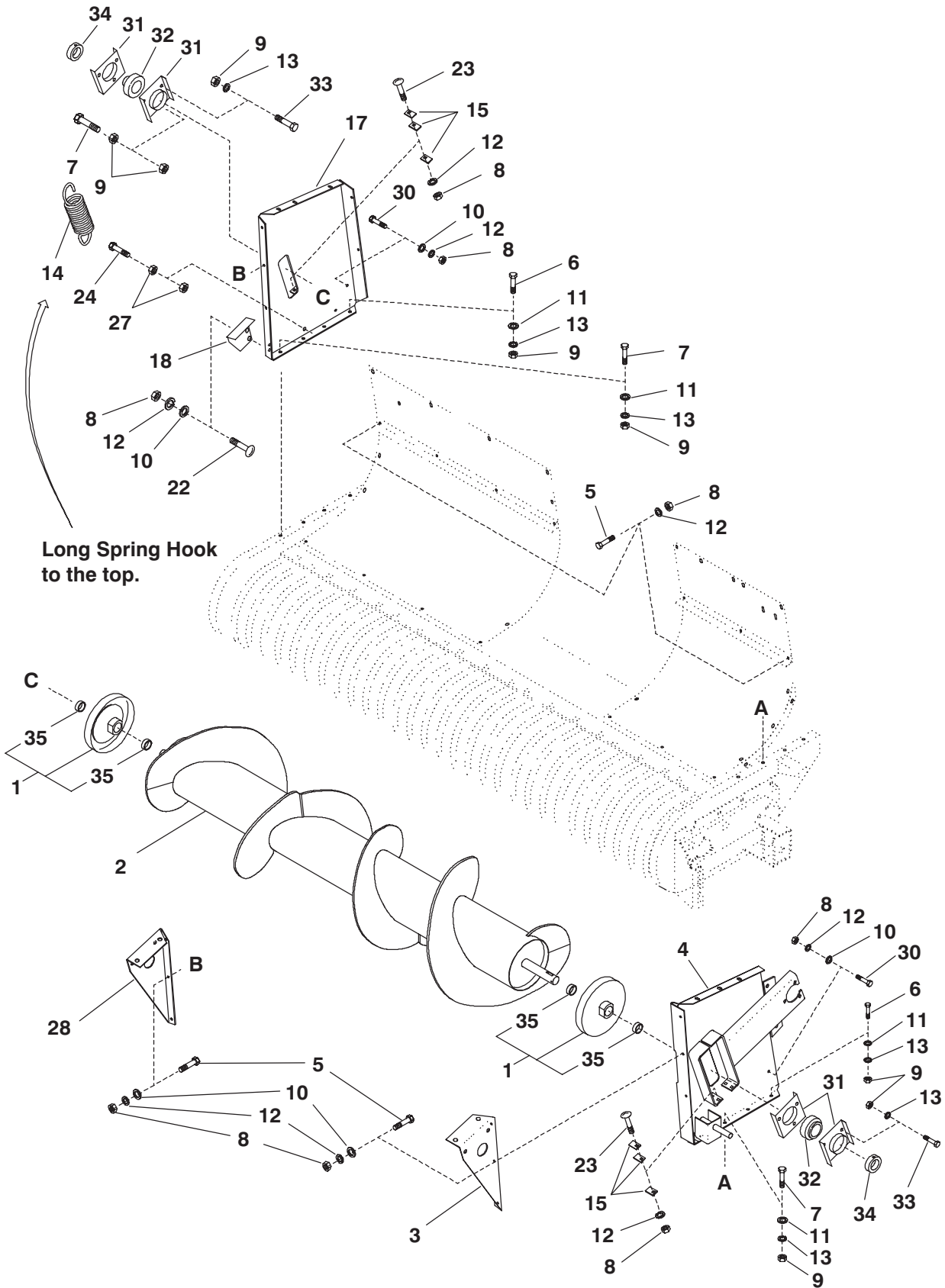
HA1210 - PICKUP



HA1210 - PICKUP

Ref. No.	Part No.	Description	Qty. Req.	Ref. No.	Part No.	Description	Qty. Req.
01	H487	RETAINER/BEARING	1	16	654030	LW 1/2	7
02	053657	RETAINER/BEARING	1	20	H7165	FW 1-17/64	1
03	076766	BEARING/BALL	1	21	059876	SPACER	1
04	077891	SHEET/SIDE RT	1	22	069536	SPACER	1
05	650704	CB 3/8X1	9	23	520085	COLLAR/BEARING	1
06	653010	HN 3/8	43	24	650490	CS 3/8X1	1
07	654026	LW 3/8	43	25	650527	CB 1/2X1-1/4	4
08	027003	RETAINER/BEARING	2	26	654009	FW 1/2	4
09	060442	BEARING/BALL	1	30	070019	GUIDE/SPRING LT	1
10	069531	CAM/PICKUP	1	31	112424	GUIDE/FOUR CHANNEL SPRING	6
11	077900	SUPPORT/BRG ASSY	1	32	072330	SCREW/SELF TAPPING 3/8X1	20
12	088354	SHEET/SIDE ASSY	1	33	650790	CB 3/8X3/4	30
13	650495	CS 1/2X1-1/4	3	34	069596	BRACKET/LT TINE GUIDE	1
14	653018	HN 1/2	7	35	070021	GUIDE/2-CHANNEL SPRING RT	1
15	654006	FW 3/8	7	36	650488	CS 3/8X3/4	2

HA1210 - AUGER

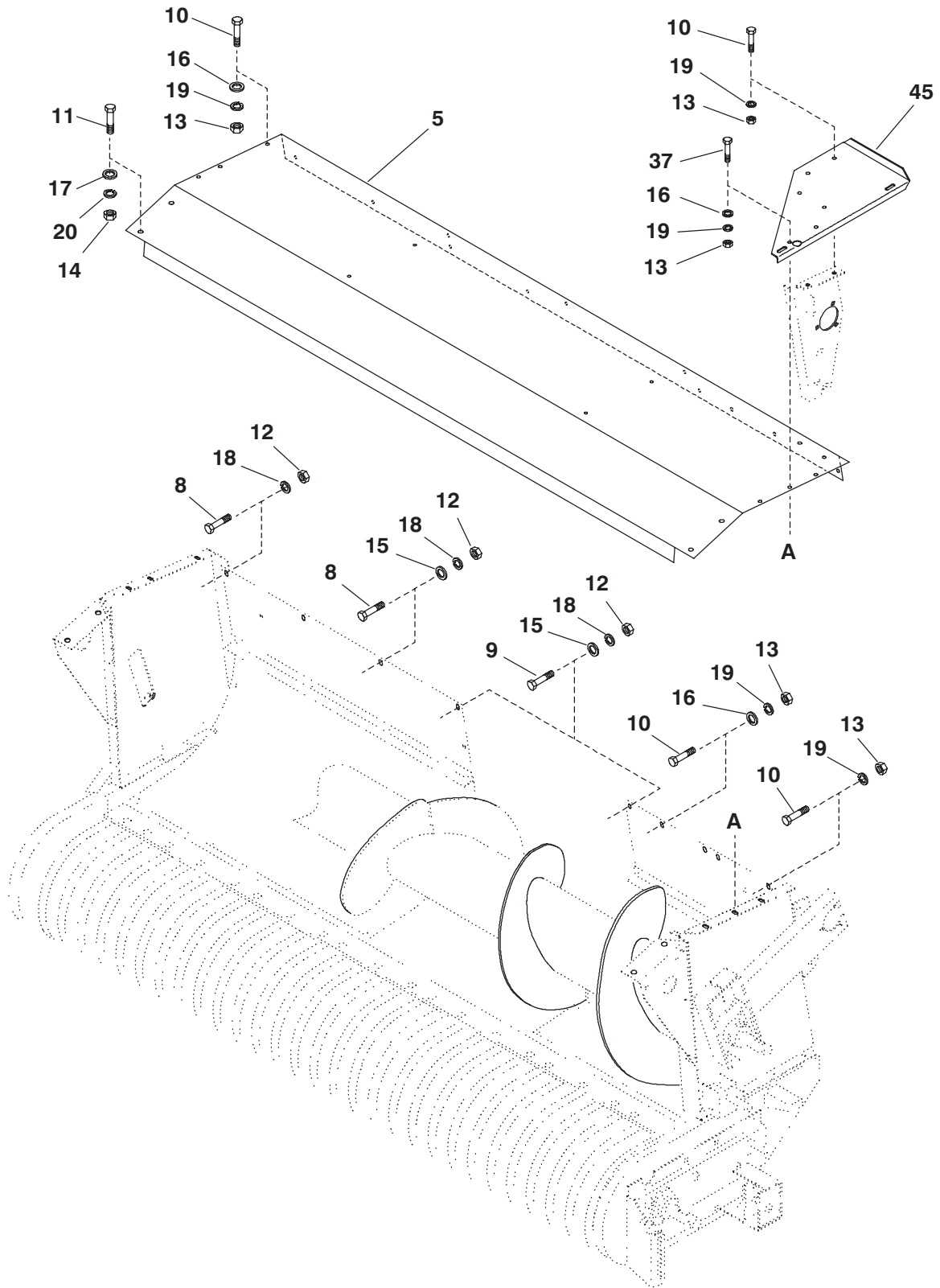


HA1210 - AUGER

Ref. No.	Part No.	Description	Qty. Req.	Ref. No.	Part No.	Description	Qty. Req.
01	072050	RING/GRASS ASSY	2	13	654026	LW 3/8	13
02	072053	AUGER/ASSY	1	14	069537	SPRING/EXTENSION	1
03	079618	ANGLE/CORNER HOLDDOWN LT	1	15	069597	SHIM/AUGER	12
		(AFTER SN5200)	2	17	077879 _a	SHEET/SIDE ASSY	1
	077921	ANGLE/CORNER HOLDDOWN LT	1	18	077895	CROP/DEFLECTOR	1
		(BEFORE SN5201)	2	22	650687	CB 5/16X3/4	2
04	088355	SHEET/SIDE ASSY UPPER LT	1	23	650745	CB 5/16X1-1/4	4
		(AFTER SN6100)	2	24	650850	CS 1/2X2-3/4	1
	080028	SHEET/SIDE ASSY UPPER LT	1	27	653018	HN 1/2	2
		(BEFORE SN6101 & AFTER SN5200)	2	28	079619	ANGLE/CORNER HOLDDOWN RT	1
	077883	SHEET/SIDE ASSY UPPER LT	1			(AFTER SN5200)	2
		(BEFORE SN5201)	2		077920	ANGLE/CORNER HOLDDOWN RT	1
05	650486	CS 5/16X3/4	8			(BEFORE SN5201)	2
06	650490	CS 3/8X1	2	30	650487	CS 5/16X1	3
07	650491	CS 3/8X1-1/4	7	31	070023	SLIDE/BEARING RETAINER	4
08	653007	HN 5/16	17	32	520065	BEARING/BALL	2
09	653010	HN 3/8	15	33	650488	CS 3/8X3/4	5
10	654004	FW 5/16	11	34	520085	COLLAR/BEARING	2
11	654006	FW 3/8	8	35	065864	BUSHING/BRONZE	2
12	654024	LW 5/16	17				

a) Includes Decals 093365 & 091442.

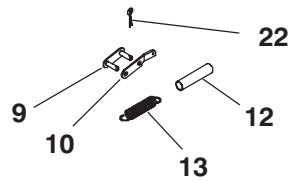
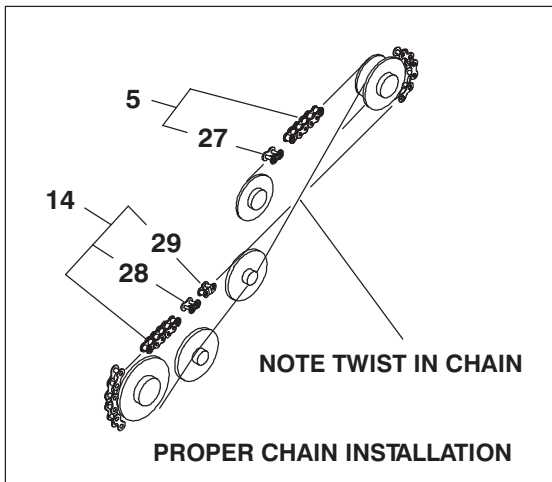
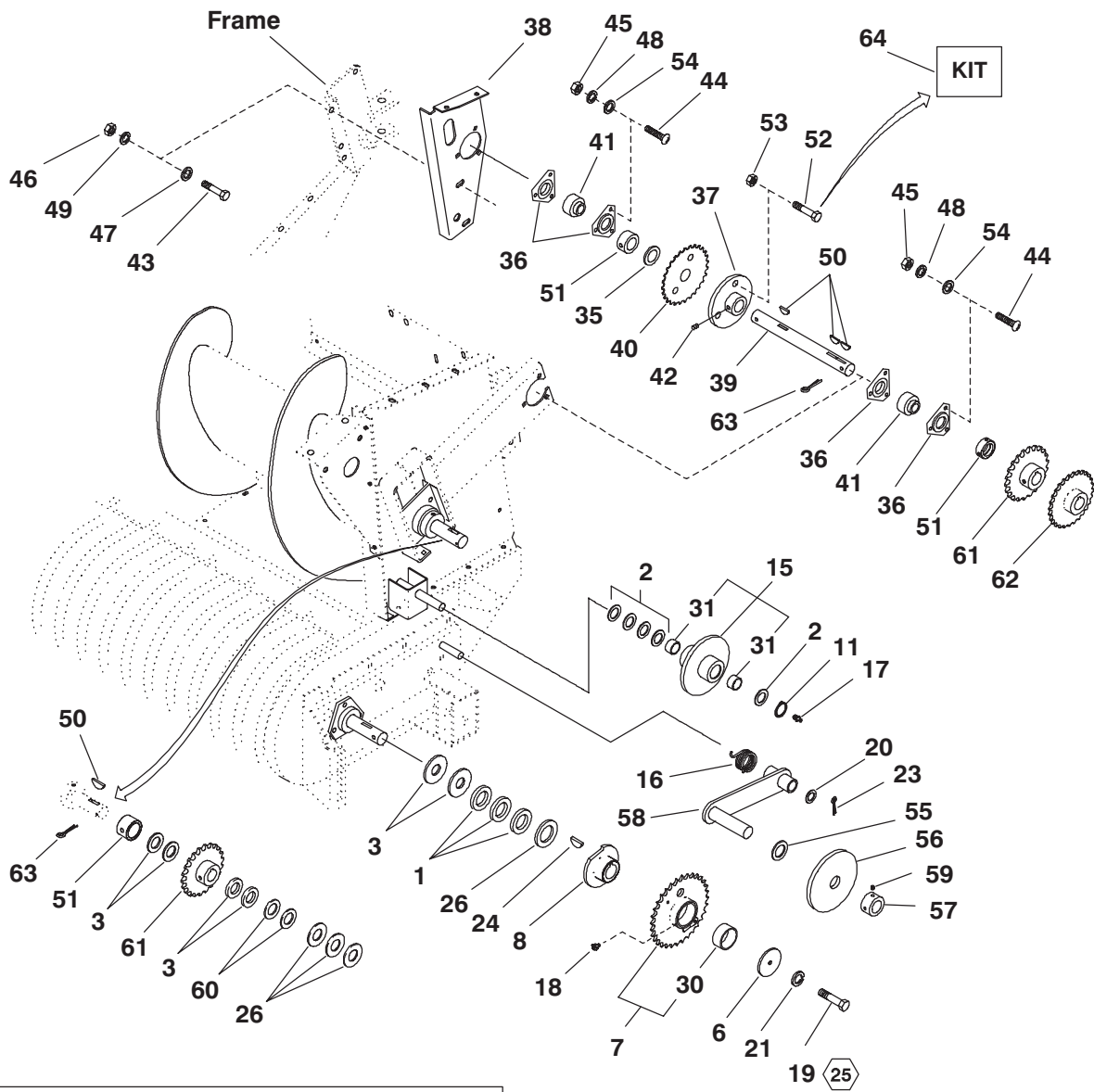
HA1210 - AUGER



HA1210 - AUGER

Ref. No.	Part No.	Description	Qty. Req.	Ref. No.	Part No.	Description	Qty. Req.
05	077892	COVER/AUGER	1	15	654004	FW 5/16	4
08	650486	CS 5/16X3/4	3	16	654006	FW 3/8	11
09	650487	CS 5/16X1	2	17	654009	FW 1/2	8
10	650488	CS 3/8X3/4	11	18	654024	LW 5/16	5
11	650495	CS 1/2X1-1/4	4	19	654026	LW 3/8	15
12	653007	HN 5/16	5	20	654030	LW 1/2	8
13	653010	HN 3/8	15	37	650490	CS 3/8X1	2
14	653018	HN 1/2	8	45	088353	BRACE/DRIVEPLATE	1

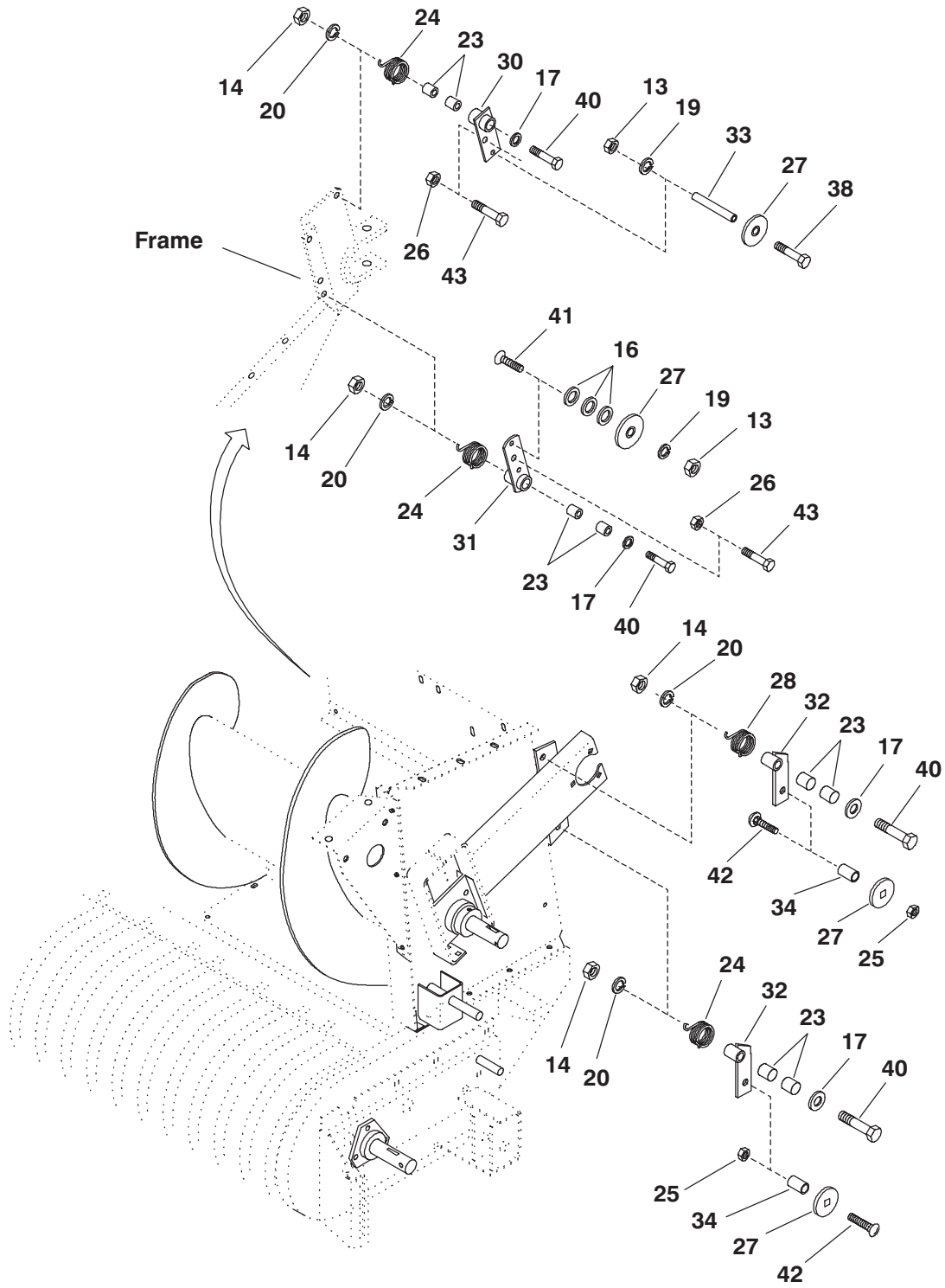
HA1210 - DRIVES



HA1210 - DRIVES

Ref. No.	Part No.	Description	Qty. Req.	Ref. No.	Part No.	Description	Qty. Req.
01	H7165	FW 1-17/64	3	36	027003	RETAINER/BEARING	4
02	H8354	FW 25/32	5	37	077926	FLANGE/SHEAR ASSY	1
03	B11162B	FW 1-17/64	AR	38	077936	PLATE/DRIVE	1
05	058212	CHAIN/ROLLER #60X66 LINKS	1	39	077937	SHAFT/JACK	1
06	059886	FW 11/32	1	40	077939	SPROCKET/60A28	1
07	067943	SPROCKET/30T	1	41	520065	BEARING/BALL	2
08	067944	PLATE/CLUTCH	1	42	650204	SHSS 5/16X3/8	2
09	067946	LINK/CLUTCH	1	43	650495	CS 1/2X1-1/4	2
10	067949	BRACKET/SPRING TENSION	1	44	650704	CB 3/8X1	6
11	067950	RING/RETAINING	1	45	653010	HN 3/8	6
12	068984	HOSE/CLEAR PLASTIC	1	46	653018	HN 1/2	2
13	069090	SPRING/EXTENSION	1	47	654009	FW 1/2	2
14	069539	CHAIN/ROLLER #50X149 LINKS	1	48	654026	LW 3/8	6
15	071150	DIVIDER/CHAIN	1	49	654030	LW 1/2	2
16	071325	SPRING/TORSION	1	50	655537	KEY/WOODRUFF 5/16X1-1/4	3
17	570018	FITTING/GREASE	1	51	520085	COLLAR/BEARING	3
18	570019	FITTING/GREASE	1	52	NS _a	CS 5/16X1-1/4	2
19	650486	CS 5/16X3/4	1	53	071701	LN 5/16	2
20	654012	FW 5/8	2	54	654049	FW 3/8	6
21	654024	LW 5/16	1	55	H8354	FW 25/32	AR
22	655001	CP 1/16X3/4	2	56	059986	DIVIDER/CHAIN	1
23	655018	CP 3/16X1-1/4	1	57	060433	COLLAR/SET	1
24	655533	KEY/WOODRUFF 5/16X1	1	58	065330	ARM/IDLER	1
26	H267A	FW 1-17/64	AR	59	650196	SHSS 1/4X5/16	2
27	500160	LINK/CONNECTOR	1	60	044645	WASHER	AR
28	500057	LINK/CONNECTOR	1	61	070701	SPROCKET/21T	2
29	500058	LINK/OFFSET	1	62	077924	SPROCKET/26T	1
30	059882	BUSHING/BRONZE	1	63	655022	CP 3/16X1-3/4	2
31	071153	BUSHING/BRONZE	2	64	900013	KIT/SHEAR BOLT (8 PACK)	1
35	B11090	FW 1-9/32	1				

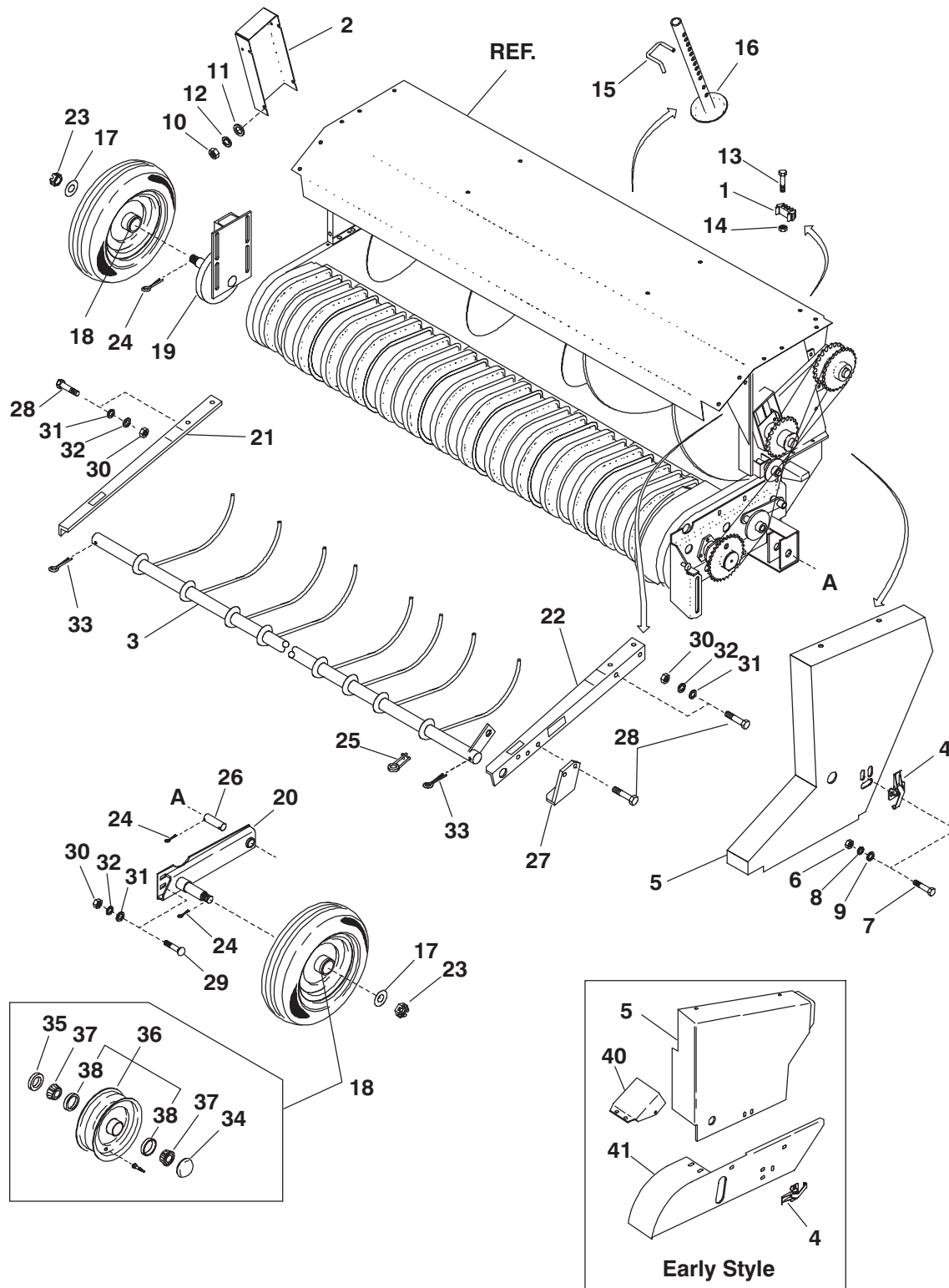
a) Not available individually. Order Item 64 (8-Pack Shear Bolt Kit), which also includes 8 Lock Nuts.



HA1210 - DRIVES

Ref. No.	Part No.	Description	Qty. Req.	Ref. No.	Part No.	Description	Qty. Req.
13	653010	HN 3/8	2	28	077794	SPRING/TORSION	1
14	653018	HN 1/2	4	30	077929	IDLER/UPPER INPUT ASSY	1
16	654006	FW 3/8	3	31	077930	ARM/INPUT ASSY	1
17	654009	FW 1/2	4	32	077932	AUGER/IDLER ARM	2
19	654026	LW 3/8	2	33	077938	SPACER/ROLLED	1
20	654030	LW 1/2	4	34	077940	SPACER/ROLLED	2
23	062738	BRG/FEED ROLL SLEEVE	8	38	650493	CS 3/8X2-3/4	1
24	071325	SPRING/TORSION	3	40	650644	CS 1/2X3	4
25	071703	LN 3/8	2	41	650802	FHSC 3/8X1-1/4	1
26	071706	LN 1/2	2	42	650773	CB 3/8X1-1/2	2
27	074404	FW 13/32	4	43	650850	CS 1/2X2-3/4	2

HA1210 - HOLDDOWN & SHIELDS



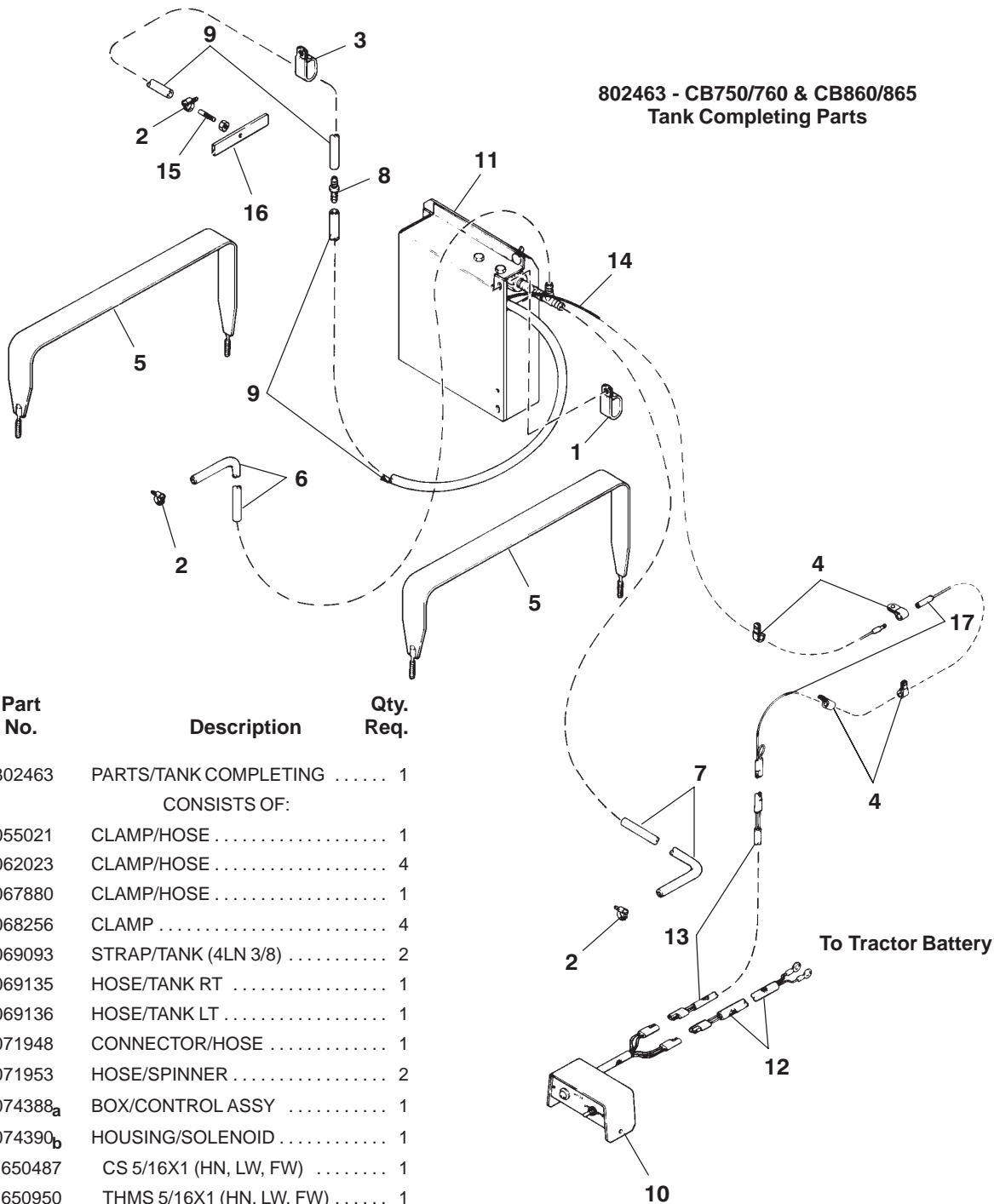
HA1210 - HOLDDOWN & SHIELDS

Ref. No.	Part No.	Description	Qty. Req.	Ref. No.	Part No.	Description	Qty. Req.
01	059272	HOLDER/SHEAR BOLT	1		077922	ANGLE/HOLDDOWN LT	1
02	071023	GUARD/AUGER RT	1			(BEFORE SN5201)	
03	112438	BAR/TINE HOLDDOWN ASSY	1	23	650933	HN SLTD 1	2
04	079878	LATCH	1	24	655020	CP 3/16X1-1/2	4
05	088347	GUARD/ASSY LT	1	25	077147	CLIP/SAFETY PIN	1
		(AFTER SN6100)		26	077510	PIN/CYLINDER	1
	077917	GUARD/UPPER LT	1	27	079616	STOP/HOLDDOWN	1
		(BEFORE SN6101)				(AFTER SN5200)	
06	650627	HN MS #1224	2		077923	STOP/HOLDDOWN	1
07	650812	RHMS#1224	2			(BEFORE SN5201)	
08	650813	LW #12	2	28	650495	CS 1/2X1-1/4	6
09	650854	FW #12	2	29	650527	CB 1/2X1-1/4	2
10	653007	HN 5/16	4	30	653018	HN 1/2	8
11	654004	FW 5/16	4	31	654009	FW 1/2	6
12	654024	LW 5/16	4	32	654030	LW 1/2	8
13	062437	CS 5/16X1-1/4	4	33	655024	CP 3/16X2	2
14	071701	LN 5/16	4	34	070871	CAP/DUST	1
15	072849	PIN/STAND	1	35	070872	SEAL/OIL	1
16	075058	STAND/ASSY	1	36	118427	WHEEL/8X3.75	1
17	047863	FW 1-1/64	2	37	520201	CONE/BEARING	2
18	118426	WHEEL/W/4.8-8TIRE	2	38	520054	CUP/BEARING	2
19	077896	AXLE/ASSY RT	1	40	080449	GUARD/CHAIN	1
20	077906	ARM/WHEEL PIVOT ASSY	1			(AFTER SN5200 & BEFORE 6101)	
21	079620	ANGLE/HOLDDOWN RT	1		070047	GUARD/CHAIN	1
		(AFTER SN5200)				(BEFORE SN5201)	
	077919	ANGLE/HOLDDOWN RT	1	41	078036	GUARD/LOWER LT	1
		(BEFORE SN5201)				(BEFORE SN6101)	
22	079621	ANGLE/HOLDDOWN LT	1				
		(AFTER SN5200)	2				

a) Includes Decal 093445.

HA1210 - ACCESSORIES

802463 - CB750/760 & CB860/865 Tank Completing Parts



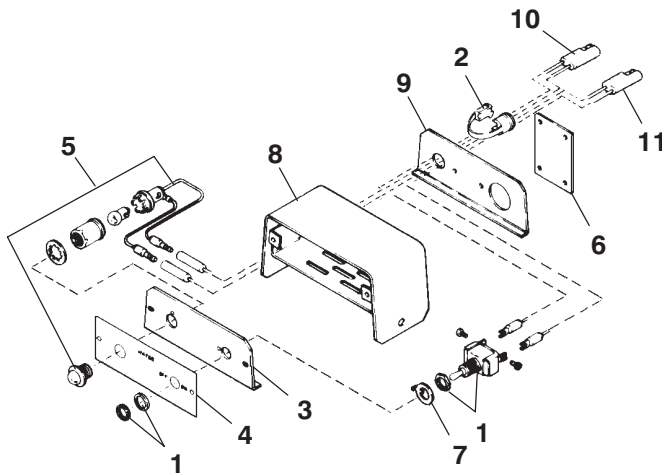
Ref. No.	Part No.	Description	Qty. Req.
	802463	PARTS/TANK COMPLETING	1
		CONSISTS OF:	
01	055021	CLAMP/HOSE	1
02	062023	CLAMP/HOSE	4
03	067880	CLAMP/HOSE	1
04	068256	CLAMP	4
05	069093	STRAP/TANK (4LN 3/8)	2
06	069135	HOSE/TANK RT	1
07	069136	HOSE/TANK LT	1
08	071948	CONNECTOR/HOSE	1
09	071953	HOSE/SPINNER	2
10	074388 ^a	BOX/CONTROL ASSY	1
11	074390 ^b	HOUSING/SOLENOID	1
	650487	CS 5/16X1 (HN, LW, FW)	1
	650950	THMS 5/16X1 (HN, LW, FW)	1
12	074391	HARNESS/POWER SUPPLY	1
13	074392	EXTENSION/WIRING HARNESS	1
14	074394	WIRE/SOLENOID	1
15	074838	NOZZLE (JN 3/8)	1
16	074839 ^c	STRIP/NOZZLE	1
17	074840	HARNESS/IMPLEMENT WIRING	1

a) See Breakdown Page.

b) Non-serviceable Part. See Breakdown Page.

c) Not used on CB860 or CB865.

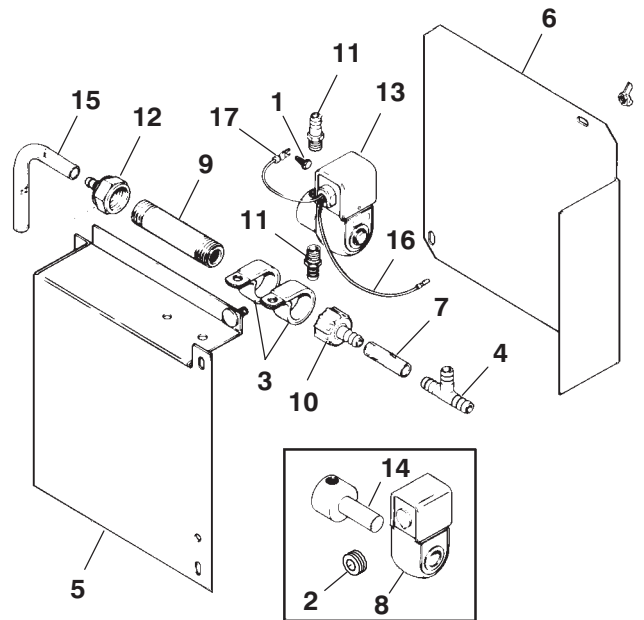
074388 Control Box



Ref. No.	Part No.	Description	Qty. Req.
	074388	BOX/CONTROL ASSMD	1
		CONSISTS OF:	
01	055924	SWITCH/TOGGLE	1
02	057781	BUSHING/5K-4	1
03	059059	PLATE/SWITCH CAP	1
	650702	TFS #6X3/8	2
04	068975	DECAL/SWITCH BOX	1
05	069120	LAMP/SIGNAL (GE53X OR EQUIVALENT)	1
06	069122	PLATE/STACKING	1
	650293	TFS #10X3/8	2
07	069126	WASHER/TAB	1
08	069255	BOX/DEFLECTOR ASSY	1
09	069257	PLATE/BACK	1
	650702	TFS #6X3/8	2
10	074389	HARNESS/CONTROL (PLUG WITH WHT/RED WIRES)	1
11	074696	HARNESS/CONTROL (PLUG WITH WHT/WHT WIRES)	1

Ref. No.	Part No.	Description	Qty. Req.
	074390	HOUSING/SOLENOID ASSY	1
		CONSISTS OF:	
01	052048	FASTENER/SELFDRILLING	1
02	070636	GROMMET	1
	058368	BUSHING (EARLY STYLE)	1
03	058805	CLAMP/COOLER	2
	650486	CS 5/16X3/4 (LW, FW)	2
04	069107	TEE/1/2 INCH HOSE I.D.	1
05	069108	HOUSING/SOLENOID	1
06	069110	COVER/HOUSING (2WN 5/16)	1
07	069111	HOSE/CONNECTOR	1
08	069115	COIL/SOLENOID	1
09	069369	STRAINER/ASSMD	1
10	069371	ADAPTOR/HOSE	1
11	071946	UNION/HYD FITTING	2
12	071947	3/8 ADAPTER/3/4 NPT	1
13	078000 _{ab}	SOLENOID/ASSY	1
	651271	MS 8-32X3/8 (LW, FW)	2
14	071951	VALVE/SOLENOID	1
15	071954	HOSE/CONNECTING	1
16	078001	WIRE/ELECTRIC	1
17	073200	TERMINAL/INSULATED MALE	2

074390 Solenoid & Housing

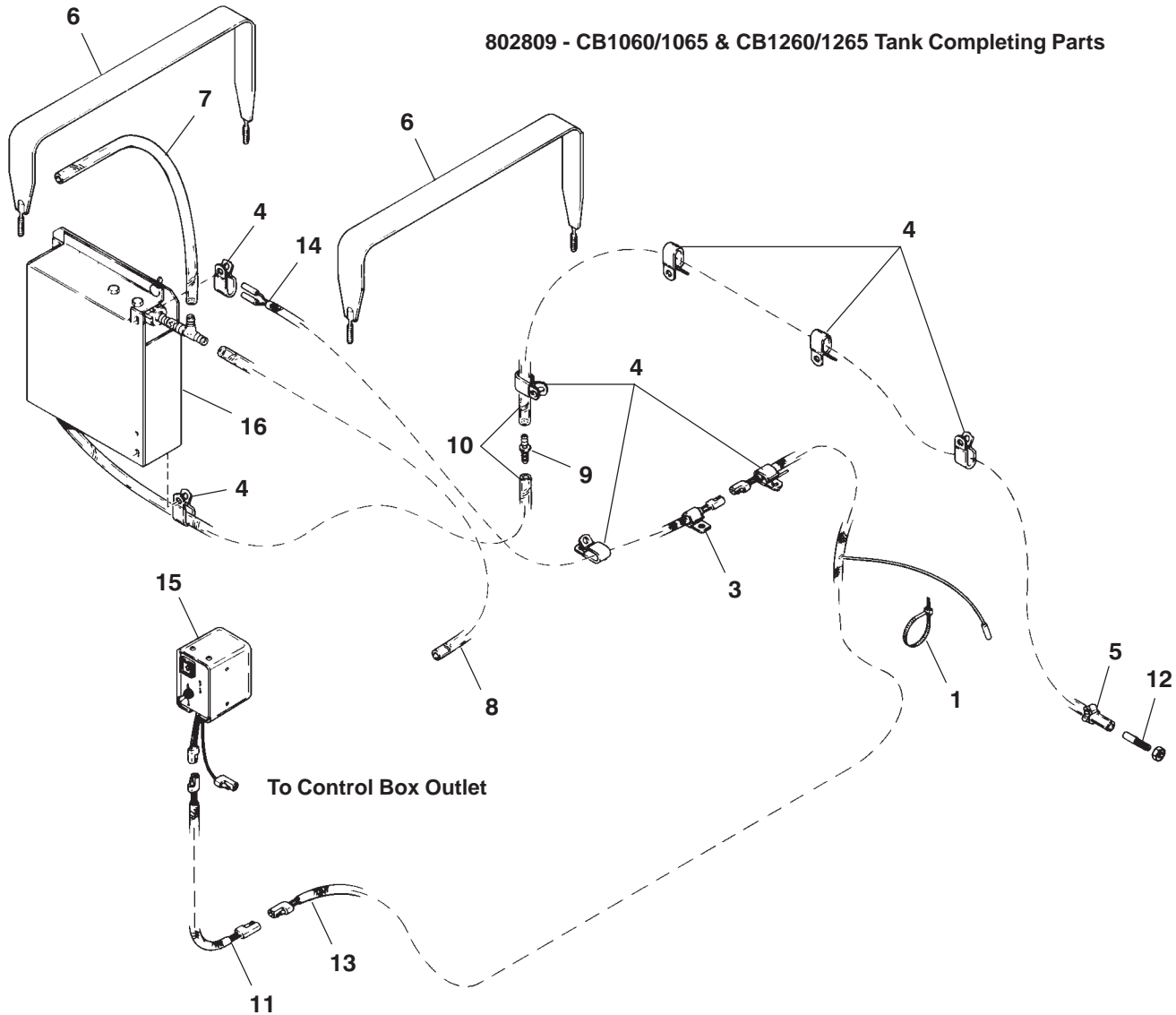


a) Includes Items 2, 8 & 14

b) For repair, order 071957 Service Kit which includes Service Tool, Gasket, O-ring, Plunger & Spring.

HA1210 - ACCESSORIES

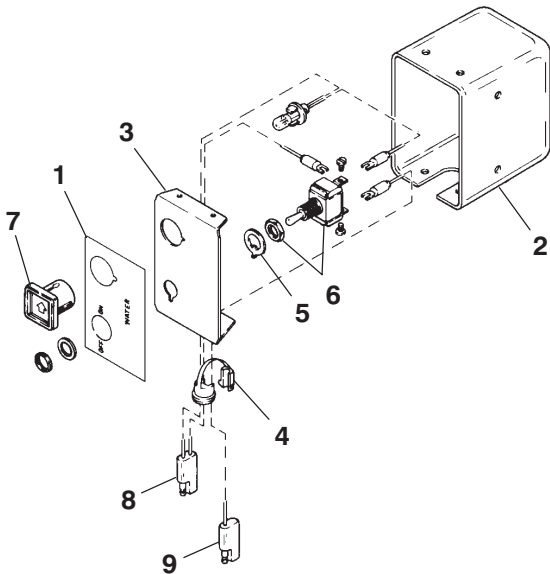
802809 - CB1060/1065 & CB1260/1265 Tank Completing Parts



Ref. No.	Part No.	Description	Qty. Req.	Ref. No.	Part No.	Description	Qty. Req.
	802809	PARTS/COMPLETING TANK	1	09	071948	CONNECTOR/HOSE	1
		CONSISTS OF:		10	071953	HOSE/SPINNER	2
01	055648	TIE/WIRE	3	11	074392	EXTENSION/WIRING HARNESS	1
03	058615	CLAMP/HOSE	1	12	074838	NOZZLE	1
	650510	TCS 5/16X1/2	1		653038	JN 3/8	1
04	059075	CLAMP/HOSE	8	13	078006	HARNESS/IMPLEMENT WATER	1
	650510	TCS 5/16X1/2	1	14	078007	HARNESS/WATER SOLENOID	1
05	062023	CLAMP/HOSE	1	15	078008 _a	BOX/CONTROL	1
06	069093	STRAP/TANK	2		650548	RHMS#1024X1/2	2
	071703	LN 3/8	4	16	078014 _a	HOUSING/SOLENOID	1
07	069135	HOSE/TANK RT	1		650487	CS 5/16X1 (HN, LW, 2FW)	3
08	069136	HOSE/TANK LT	1				

a) Non-serviceable Part. See Breakdown Page

078008 Control Box

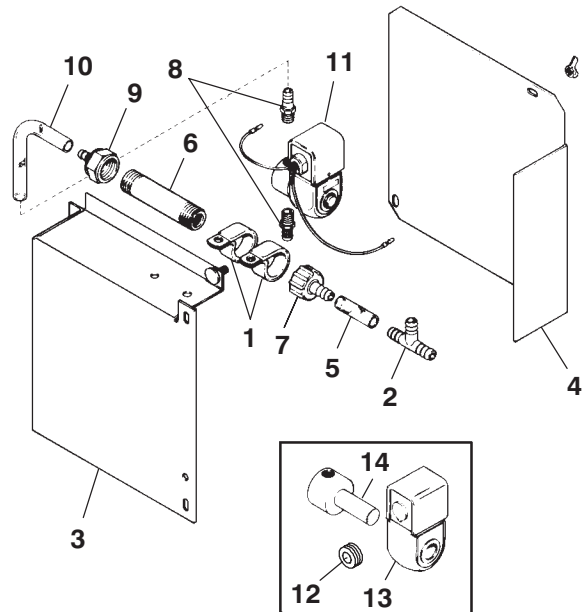


Ref. No.	Part No.	Description	Qty. Req.
	078008	BOX/CONTROL ASSD	1
		CONSISTS OF:	
01	078009	DECAL/CONTROL BOX	1
02	078010	BOX/ELECTRIC CONTROL	1
03	078011	PANEL/CONTROL BOX	1
	650289	TFS #8X3/8	4
04	057781	BUSHING/5K-4	1
05	069126	WASHER/TAB	1
06	055924	SWITCH/TOGGLE	1
07	077477	LENS	1
08	078012	PLUG/WATER CONTROL POWER	1
09	078013 _a	PLUG/WITH LIGHT	1

a) Use Bayonet Type 1891 12 Volt Bulb

Ref. No.	Part No.	Description	Qty. Req.
	078014	HOUSING/SOLENOID ASSY	1
		CONSISTS OF:	
01	058805	CLAMP/HOSE	2
	650486	CS 5/16X3/4 (HN, LW)	2
02	069107	TEE/1/2" HOSE I.D.	1
03	069108	HOUSING/SOLENOID	1
04	069110	COVER/HOUSING	1
	653094	5/16 WING NUT	2
05	069111	HOSE/CONNECTOR	1
06	069369	STRAINER/ASSY	1
07	069371	ADAPTER/HOSE	1
08	071946	UNION/HYD FITTING	2
09	071947	3/8 ADAPTER/3/4 NPT	1
10	071954	HOSE/CONNECTING	1
11	078000 _{ab}	SOLENOID/ASSY	1
	650283	HMS #8-32X5/16 (LW)	2
12	070636	GROMMET	1
	058368	BUSHING (EARLY STYLE)	1
13	069115	COIL/SOLENOID	1
14	071951	VALVE/SOLENOID	1

078014 Solenoid Housing

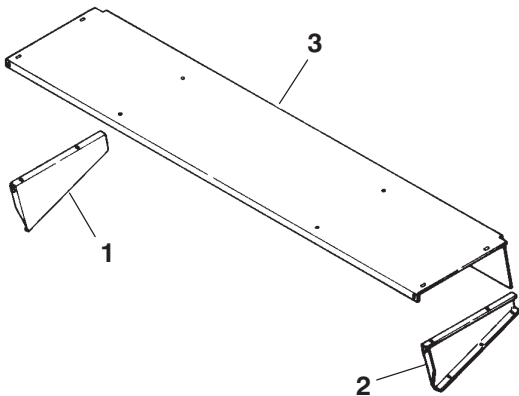


a) Includes Items 12, 13 & 14

b) For repair, order 071957 Service Kit which includes Service Tool, Gasket, O-ring, Plunger & Spring.

HA1210 - ACCESSORIES

802931 Auger Cover Kit

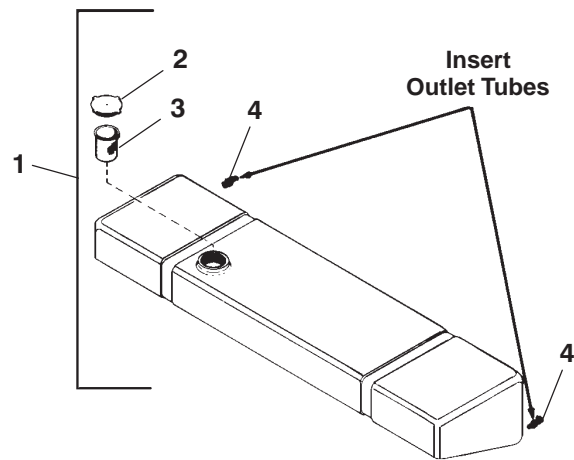


Ref. No.	Part No.	Description	Qty. Req.
	802931	COVER/AUGER KIT	1
		CONSISTS OF:	
01	079546	SHEET/TANK RT	1
	650486	CS 5/16X3/4 (HN, LW, FW)	6
02	079547	SHEET/TANK LT	1
	650486	CS 5/16X3/4 (HN, LW, FW)	6
03	074836	COVER/AUGER	1
	650486	CS 5/16X3/4 (HN, LW, FW)	3

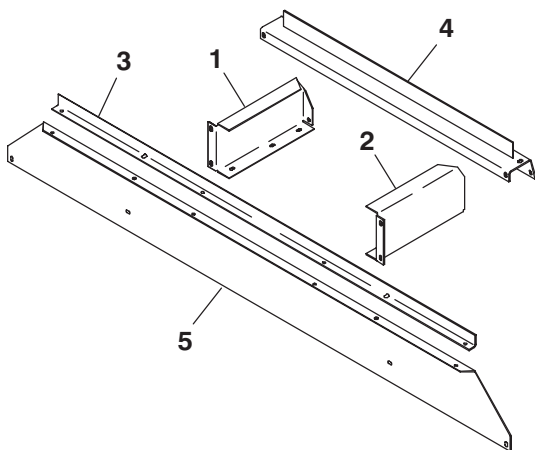
801888 Water Tank

Ref. No.	Part No.	Description	Qty. Req.
	801888	TANK/WATER	1
		CONSISTS OF:	
01	069138 _a	TANK/WATER	1
02	069139	CAP/VENTED	1
03	069140	SCREEN/WATER TANK	1
04	071652	ADAPTER/MALE	2

a) Includes Items 2, 3 & 4



802112 Tank Mounting Parts



Ref. No.	Part No.	Description	Qty. Req.
	802112	TANK/WATER	1
		CONSISTS OF:	
01	069145	SUPPORT/TANK RT	1
	650486	CS 5/16X3/4 (HN, LW, FW)	4
02	069146	SUPPORT/TANK LT	1
	650486	CS 5/16X3/4 (HN, LW, FW)	4
03	069147	ANGLE/TANK	1
	650486	CS 5/16X3/4 (HN, LW)	4
04	071124	SUPPORT/TANK REAR	2
	650486	CS 5/16X3/4 (HN, LW, FW)	3
	650488	CS 3/8X3/4 (HN, LW, FW)	2
05	071127 _a	SUPPORT/TANK FRONT	2
	650486	CS 5/16X3/4 (HN, LW, FW)	2

a) Old style logo (061203) used on earlier models

Index

A

Accessories

Auger Cover Kit, 24

Control Boxes, 21, 23

Solenoid Housing, 21, 23

Water Tank, 24

 Completing Parts, 20, 22

 Mounting Parts, 24

Auger, 10–13

 Drives, 14–15

D

Decal Application, 2

Decal Locations, 2–3

H

Holddown & Shields, 18–19

M

Main Frame, 4–5

P

Paint Notice, 2

Pickup, 6–9

W

Water Tank, Completing Parts

 CB 750/760 & 860/865, 20

 CB 1060/1065 & 1260, 22

HA1210 - NUMERICAL INDEX

Part No.	Page No.	Ref. No.	Part No.	Page No.	Ref. No.	Part No.	Page No.	Ref. No.	Part No.	Page No.	Ref. No.
H7125	07	03	065864	11	35	069572	05	17	071954	21	15
H7126	07	22	067880	20	03	069573	05	03	071954	23	10
H487	09	01	067943	15	07	069579	07	35	072050	11	01
H7165	09	20	067944	15	08	069580	05	04	072053	11	02
H7165	15	01	067946	15	09	069587	07	36	072330	09	32
H8354	15	02	067949	15	10	069595	05	18	072849	19	15
B11162B	15	03	067950	15	11	069596	09	34	073200	21	17
H267A	15	26	068256	20	04	069597	11	15	073775	05	07
B11090	15	35	068975	21	04	069999	05	19	074388	20	10
H8354	15	55	068984	15	12	070000	05	05	074388	21	
7H37	07	01	069090	15	13	070001	05	20	074389	21	10
9H318	05	01	069093	20	05	070002	05	06	074390	20	11
027003	09	08	069093	22	06	070019	09	30	074390	21	
027003	15	36	069107	21	04	070021	09	35	074391	20	12
041881	07	40	069107	23	02	070023	11	31	074392	20	13
044645	15	60	069108	21	05	070047	19	40	074392	22	11
047863	19	17	069108	23	03	070636	21	02	074394	20	14
052048	21	01	069110	21	06	070636	23	12	074404	17	27
053657	09	02	069110	23	04	070701	15	61	074696	21	11
055021	20	01	069111	21	07	070871	19	34	074836	24	03
055648	22	01	069111	23	05	070872	19	35	074838	20	15
055924	21	01	069115	21	08	071023	19	02	074838	22	12
055924	23	06	069115	23	13	071048	07	06	074839	20	16
056249	07	39	069120	21	05	071049	07	07	074840	20	17
057781	21	02	069122	21	06	071124	24	04	075058	19	16
057781	23	04	069126	21	07	071127	24	05	076766	09	03
058212	15	05	069126	23	05	071150	15	15	077147	19	25
058368	21	02	069135	20	06	071153	15	31	077477	23	07
058368	23	12	069135	22	07	071325	15	16	077510	19	26
058615	22	03	069136	20	07	071325	17	24	077794	17	28
058805	21	03	069136	22	08	071652	24	04	077864	05	25
058805	23	01	069138	24	01	071701	15	53	077879	11	17
059059	21	03	069139	24	02	071701	19	14	077883	11	04
059075	22	04	069140	24	03	071703	07	08	077891	09	04
059272	19	01	069145	24	01	071703	17	25	077892	13	05
059876	09	21	069146	24	02	071706	17	26	077893	05	21
059882	15	30	069147	24	03	071787	07	09	077894	05	08
059886	15	06	069255	21	08	071788	07	10	077895	11	18
059890	07	37	069257	21	09	071946	21	11	077896	19	19
059897	07	31	069369	21	09	071946	23	08	077900	09	11
059986	15	56	069369	23	06	071947	21	12	077906	19	20
060433	15	57	069371	21	10	071947	23	09	077910	07	13
060442	09	09	069371	23	07	071948	20	08	077917	19	05
062023	20	02	069531	09	10	071948	22	09	077919	19	21
062023	22	05	069536	09	22	071951	21	14	077920	11	28
062437	19	13	069537	11	14	071951	23	14	077921	11	03
062738	17	23	069539	15	14	071953	20	09	077922	19	22
065330	15	58	069571	05	02	071953	22	10	077923	19	27

HA1210 - NUMERICAL INDEX

Part No.	Page No.	Ref. No.	Part No.	Page No.	Ref. No.	Part No.	Page No.	Ref. No.	Part No.	Page No.	Ref. No.
077924	15	62	112424	09	31	650495	19	28	654004	19	11
077926	15	37	112438	19	03	650527	09	25	654006	09	15
077929	17	30	112645	07	23	650527	19	29	654006	11	11
077930	17	31	118426	19	18	650528	07	16	654006	13	16
077932	17	32	118427	19	36	650627	19	06	654006	17	16
077934	07	32	128015	07	02	650644	17	40	654009	09	26
077936	15	38	500057	15	28	650687	11	22	654009	13	17
077937	15	39	500058	15	29	650704	09	05	654009	15	47
077938	17	33	500160	15	27	650704	15	44	654009	17	17
077939	15	40	520054	19	38	650725	05	11	654009	19	31
077940	17	34	520065	11	32	650745	11	23	654012	15	20
078000	21	13	520065	15	41	650773	17	42	654024	05	16
078000	23	11	520085	09	23	650790	09	33	654024	11	12
078001	21	16	520085	11	34	650802	17	41	654024	13	18
078006	22	13	520085	15	51	650812	19	07	654024	15	21
078007	22	14	520201	19	37	650813	19	08	654024	19	12
078008	22	15	570018	15	17	650850	11	24	654026	07	18
078008	23		570019	15	18	650850	17	43	654026	09	07
078009	23	01	650196	15	59	650854	19	09	654026	11	13
078010	23	02	650204	15	42	650933	19	23	654026	13	19
078011	23	03	650486	05	09	650949	05	12	654026	15	48
078012	23	08	650486	11	05	653007	05	13	654026	17	19
078013	23	09	650486	13	08	653007	11	08	654030	09	16
078014	22	16	650486	15	19	653007	13	12	654030	13	20
078014	23		650487	05	10	653007	19	10	654030	15	49
078036	19	41	650487	11	30	653010	07	17	654030	17	20
079546	24	01	650487	13	09	653010	09	06	654030	19	32
079547	24	02	650488	07	14	653010	11	09	654049	15	54
079616	19	27	650488	09	36	653010	13	13	655001	15	22
079618	11	03	650488	11	33	653010	15	45	655018	15	23
079619	11	28	650488	13	10	653010	17	13	655020	19	24
079620	19	21	650490	07	33	653018	09	14	655022	15	63
079621	19	22	650490	09	24	653018	11	27	655024	19	33
079878	19	04	650490	11	06	653018	13	14	655533	15	24
080028	11	04	650490	13	37	653018	15	46	655537	15	50
080449	19	40	650491	07	15	653018	17	14	801888	24	
081372	07	8	650491	11	07	653018	19	30	802112	24	
088347	19	05	650493	17	38	654004	05	14	802463	20	
088353	13	45	650495	09	13	654004	07	24	802809	22	
088354	09	12	650495	13	11	654004	11	10	802931	24	
088355	11	04	650495	15	43	654004	13	15	900013	15	64

HA1210 - NUMERICAL INDEX






Part No.	Page No.	Ref. No.	Part No.	Page No.	Ref. No.	Part No.	Page No.	Ref. No.	Part No.	Page No.	Ref. No.
-------------	-------------	-------------	-------------	-------------	-------------	-------------	-------------	-------------	-------------	-------------	-------------

Notes

TORQUE SPECIFICATIONS

NOTE: Use these torque values when tightening **GEHL** hardware (excluding: Locknuts and Self-tapping, Thread Forming and Sheet Metal Screws) unless specified otherwise.

All torque values are in Lb-Ft except those marked with an * which are Lb-In
(For metric torque value Nm, multiply Lb-Ft value by 1.355 or Lb-In value by 0.113)

Unified National Thread	Grade 2 		Grade 5 		Grade 8 	
	Dry	Lubed	Dry	Lubed	Dry	Lubed
8-32	19*	14*	30*	22*	41*	31*
8-36	20*	15*	31*	23*	43*	32*
10-24	27*	21*	43*	32*	60*	45*
10-32	31*	23*	49*	36*	68*	51*
1/4-20	66*	50*	9	75*	12	9
1/4-28	76*	56*	10	86*	14	10
5/16-18	11	9	17	13	25	18
5/16-24	12		19	14		20
3/8-16	20	15	30	23	45	35
3/8-24	23	17	35	25	50	
7/16-14	32	24	50	35	70	55
7/16-20	36	27	55	40	80	60
1/2-13	50	35	75	55	110	80
1/2-20	55	40	90	65	120	90
9/16-12	70	55	110	80	150	110
9/16-18	80	60	120	90	170	130
5/8-11	100	75	150	110	220	170
5/8-18	110	85	180	130	240	180
3/4-10	175	130	260	200	380	280
3/4-16	200	150	300	220	420	320
7/8-9	170	125	430	320	600	460
7/8-14	180	140	470	360	660	500
1-8	250	190	640	480	900	680
1-14	270	210	710	530	1000	740
Metric Course Thread	Grade 8.8 		Grade 10.9 		Grade 12.9 	
	Dry	Lubed	Dry	Lubed	Dry	Lubed
M6-1	8	6	11	8	13.5	10
M8-1.25	19	14	27	20	32.5	24
M10-1.5	37.5	28	53	39	64	47
M12-1.75	65	48	91.5	67.5	111.5	82
M14-2	103.5	76.5	145.5	108	176.5	131
M16-2	158.5	117.5	223.5	165.5	271	200

GEHL®

Gehl Company 143 Water Street, P.O. Box 179, West Bend, WI 53095-0179