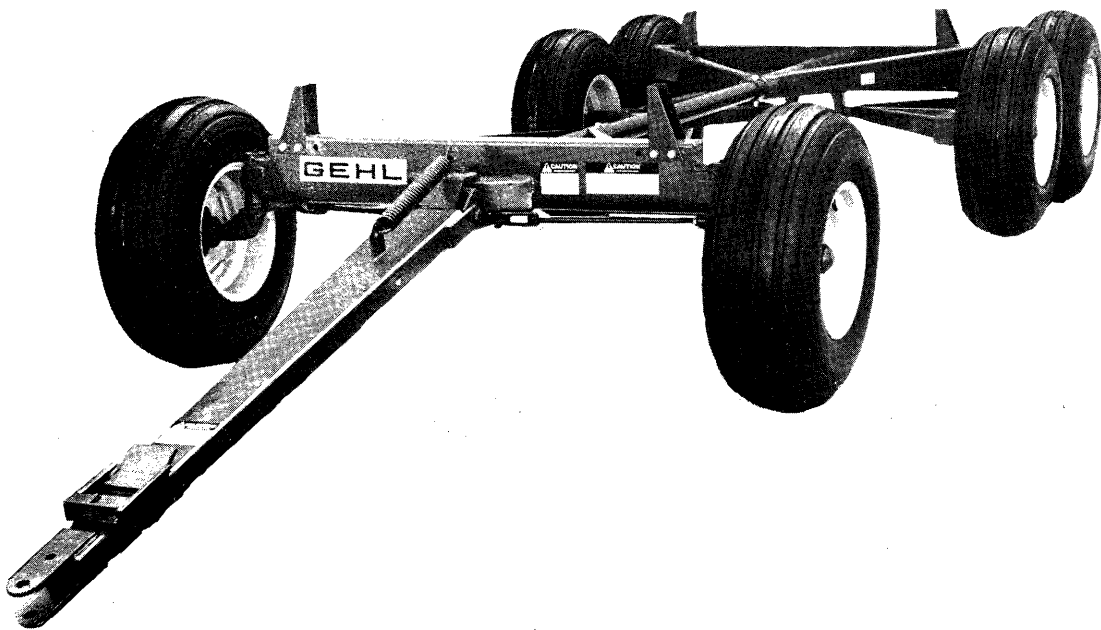


Form No.  
904474  
Replaces  
903800

# G Series 7

## Running Gear



# SERVICE PARTS MANUAL

GEHL<sup>®</sup> COMPANY

# INTRODUCTION

When ordering service parts, specify the correct part number, full description, quantity required, the unit model number and serial number.

The Running Gear model and serial numbers are on a plate located on the forward -facing side of the left Rear diagonal Brace on the Frame assembly. "Right" and "left" are determined from a position standing behind the Wagon with the Drawbar and Tongue in front.

**GEHL®** Company reserves the right to make changes or improvements in the design or construction of any part of the unit without incurring the obligation to install such changes on any previously delivered units.

**NOTE:** *On original Tire replacement, Company policy prohibits the sale of replacement tires for all original GEHL machinery. Replacement Wheel Sets are available and tire size information is called out with the Wheel Sets to facilitate replacement tire selection. ALL REPLACEMENT TIRES MUST BE PURCHASED LOCALLY.*

Grease fittings and common attaching hardware, such as Cotter Pins, Set Screws, Woodruff Keys, Screws, Nuts, etc., are included in the parts lists, indented below the part it is (they are) associated with, but NOT illustrated, except where a particular routing or special fastening arrangement MUST be maintained.

The hardware listed is for mounting purposes and is NOT included when the part is ordered for replacement. Refer to the abbreviations table, located on this page or on the inside back cover of this manual, for the various fastener descriptions. For the part number of related fasteners, refer to the Attaching Hardware Table on the inside back cover of this manual. Standard attaching hardware torque values are also provided on the inside back cover.

Unless otherwise specified, all Cap Screws or Bolts are Grade 5, cadmium or zinc plated; Hexagon Nuts for Grade 5 Screws or Bolts are Grade B; Hexagon Nuts for other Screws or Bolts are Grade A.

**NOTE:** *The following abbreviations are used herein:*

- ASSY- Assembly
- CS- Cap Screw (Hexagon Head)
- DC- Drop Center
- GR- Grade
- JN- Jam Nut
- L- Lock (Washer)
- LN- Lock Nut (Hexagon)
- N- Nut (Hexagon)
- P- Plain (Washer)

# TABLE OF CONTENTS

	Page
Introduction .....	Inside Front Cover
Table of Contents .....	Inside Front Cover
Decal Locations .....	1
G607 .....	2-3
G807 .....	4-5
G1007 .....	6-7
G1057 .....	8-9
G1207 .....	10-11
G1267 .....	12-13
Numerical Index .....	14-15
Standard Hardware Torque Data .....	Inside Back Cover

# DECAL LOCATIONS

## GENERAL INFORMATION

Decal Locations information is provided to assist in the proper selection and application of new decals, in the event the original decal(s) become damaged or the machine is repainted. Refer to the listing for the illustration reference number, part number, description and quantity of each decal provided in the Kit. Refer to the appropriate illustration(s) for replacement location(s).

**NOTE:** Refer to the *SAFETY Chapter of the Operator's Manual for the specific information provided on all of the various Safety Decals.*

To insure proper selection of the correct replacement decals, compare all of the various closeup location photographs to your machine, before starting to refinish the unit. Then, circle each pictured decal (on or otherwise applicable to your machine) while checking-off its part number in the listing.

### PAINT NOTICE

Use this list to order paint for refinishing:

901225	One Gallon Blaze Paint
901226	One Gallon Maize Paint
610239	6 (12oz Spray Cans) Blaze Paint
610240	6 (12oz Spray Cans) Maize Paint

## NEW DECAL APPLICATION

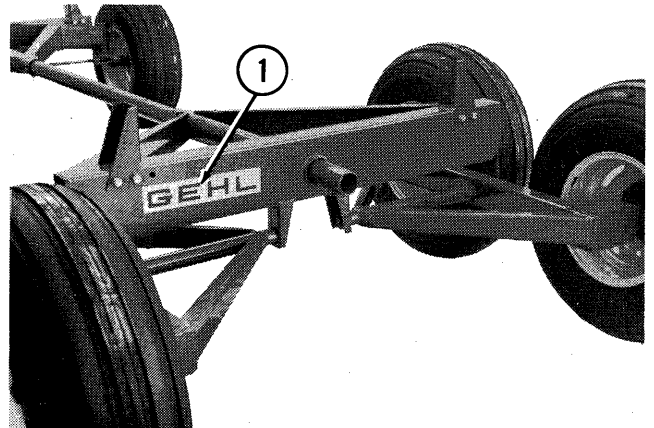
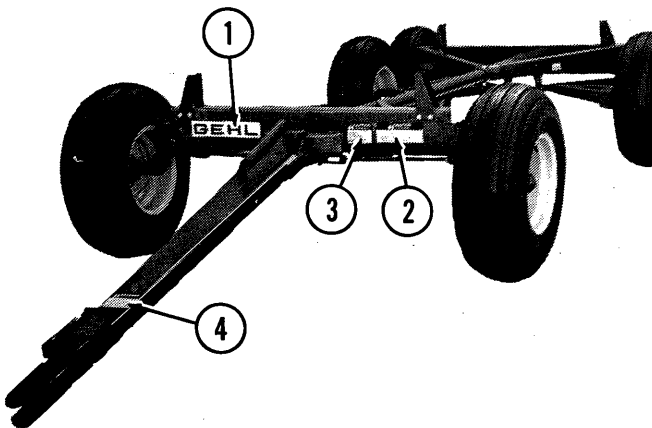
Surfaces **MUST** be free from dirt, dust, grease and other foreign material before applying the new Decal. To apply, remove the smaller portion of the decal backing paper and apply this part of the exposed adhesive backing to the clean surface while maintaining proper position and alignment. Peel the other portion of the backing paper off slowly while applying hand pressure to smooth-out the Decal surface.

## CAUTION

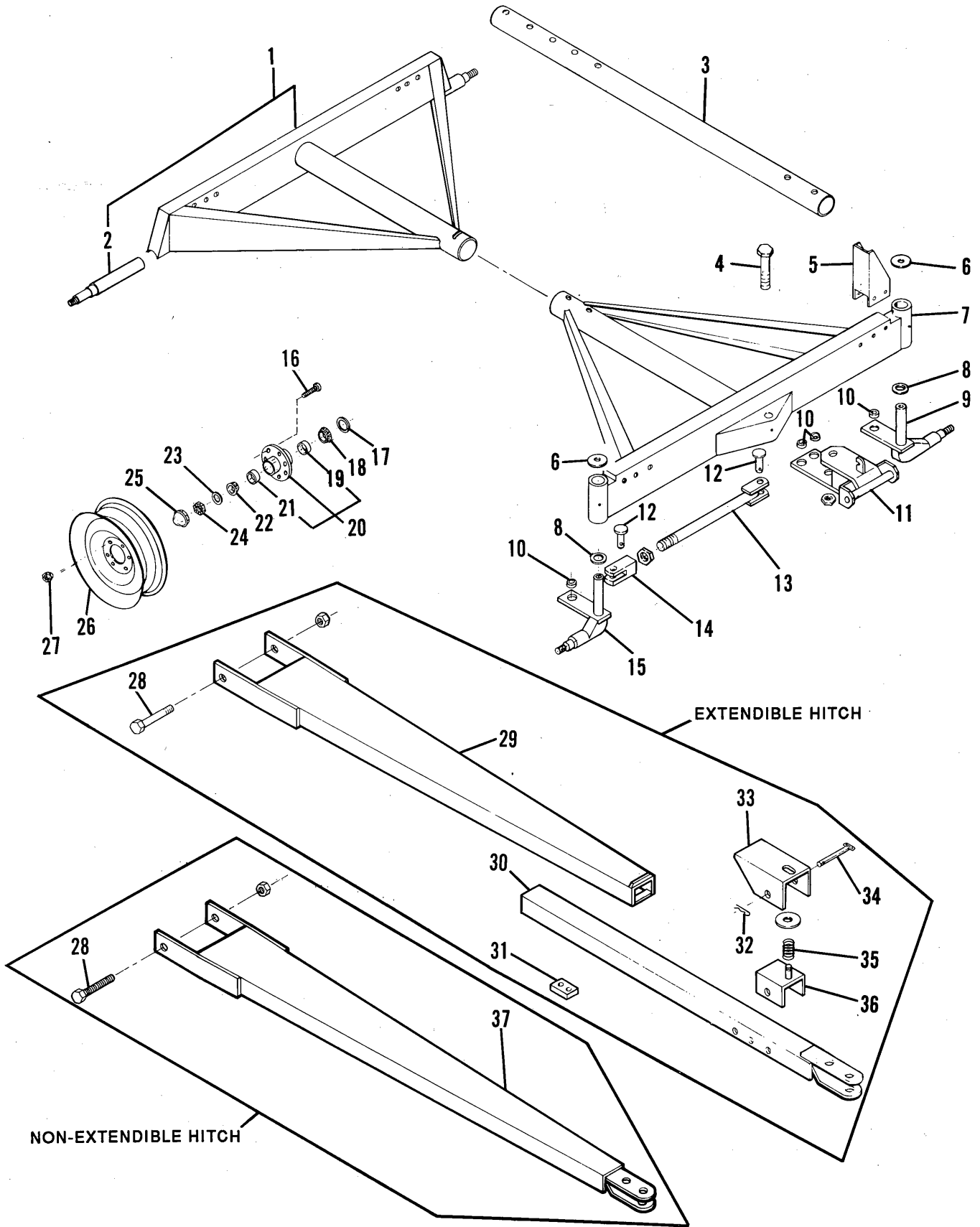
**ALWAYS** observe Safety Rules shown on Decals. If Decals become damaged, or if the unit is repainted, replace the Decals. If repainting, **BE SURE** that **ALL** Decals which apply to your machine, are affixed to your unit.

A complete Decal Set Number for the G Series Running Gear is not available. Order individual Decals as required from the following list:

Ref. Part No. Number	Description & Quantity
1. 061201	GEHL (2 Places)
2. 073399	CAUTION - General Safety
3. 078622	CAUTION - Implement Towing Procedures
4. 078857	WARNING - Latching Tongue Details



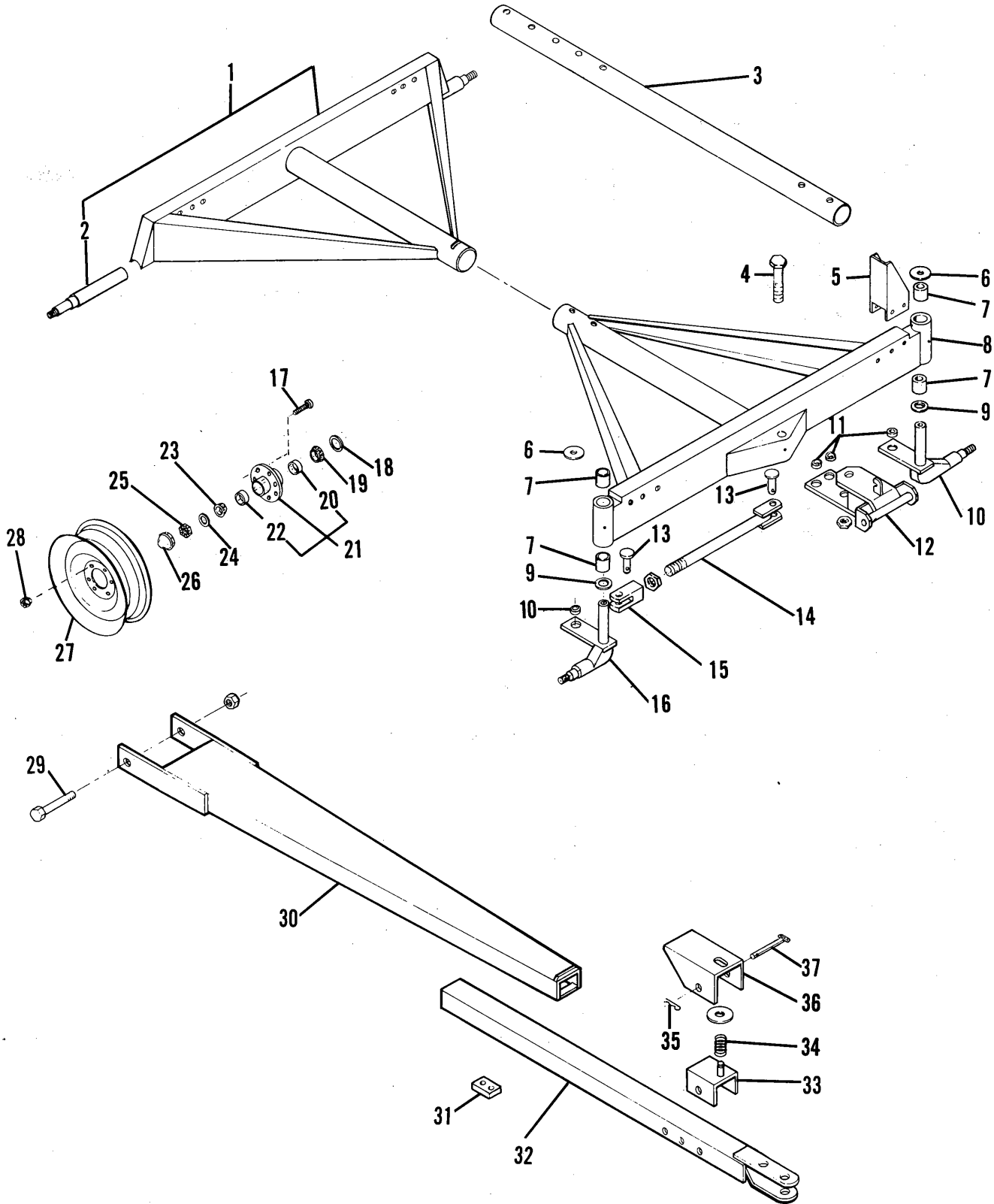
# G607 - RUNNING GEAR



## G607 - RUNNING GEAR

Ref. No.	Part No.	Part Name	No. Req.	Ref. No.	Part No.	Part Name	No. Req.
1	093320	AXLE ASSY, REAR	1	18	520201	CONE/BEARING-INNER	4
	650497	CS 1/2X5-1/2 (2N,2P)	1	19	520054	CUP/BEARING-INNER	4
2	000264	SPINDLE (WELD-ON)	2	20	046020	HUB W/CUPS (INCL 16,27)	4
3	000269	REACH PIPE, 84"	1	21	520021	CUP/BEARING-OUTER	4
	004931	REACH PIPE, 126"	1	22	520022	CONE/BEARING-OUTER	4
4	000246	CS 7/8-14X7 (JN-NF)	1	23	041802	WASHER	4
5	000249	STAKE/BOLSTER	4	24	650698	5/8-18 GR. 2 SN	4
	650744	CS 1/2X4 (N,L)	4		655048	PIN/COTTER 5/32X1-1/4	4
6	000253	WASHER, CAP	2	25	046023	CAP/GREASE	4
	650490	CS 3/8X1 (L)	2	26	045989	WHEEL 15X6 DC 6-BOLT	4
7	000225	AXLE ASSY, FRONT	1		048060	WHEEL 15X8 DC 6-BOLT	4
	570019	FITTING/GREASE	3		042165	WHEEL 15X10 DC 6-BOLT	4
	650496	CS 1/2X5 (2N)	1			A=FOR REPLACEMENT VALVE	
8	000252	WASHER, THRUST	2			STEM, ORDER 045581.	
9	000245	SPINDLE, LEFT	1	27	046001	NUT/WHEEL	24
	570019	FITTING/GREASE	1	28	004324	BOLT/TONGUE (JN-NF 7/8)	1
10	000240	BUSHING, STEEL	4	29	007994	POLE WELD, OUTER	1
11	004321	TONGUE WELD, CENTER	1	30	007988	POLE WELD, INNER	1
	570019	FITTING/GREASE	3	31	008234	STOP	1
12	001654	PIN ASSY, CLEVIS	4		650453	CS 1/2X1-1/2 (L)	2
	655020	PIN/COTTER 3/16X1-1/2	4	32	076100	COTTER/HAIR PIN	1
13	001651	ROD/TIE ASSY (2JN-NF 7/8)	2	33	007981	CATCH WELD	1
14	001645	CLEVIS, TIE ROD	2	34	000363	PIN ASSEMBLY	1
15	000241	SPINDLE, RIGHT	1	35	008998	SPRING, COMPRESSION (P 3/8)	1
	570019	FITTING/GREASE	1	36	007984	CHANNEL WELD	1
16	046000	BOLT/WHEEL	24	37	004933	TONGUE 72" STRAIGHT	1
17	046019	SEAL, GREASE	4				

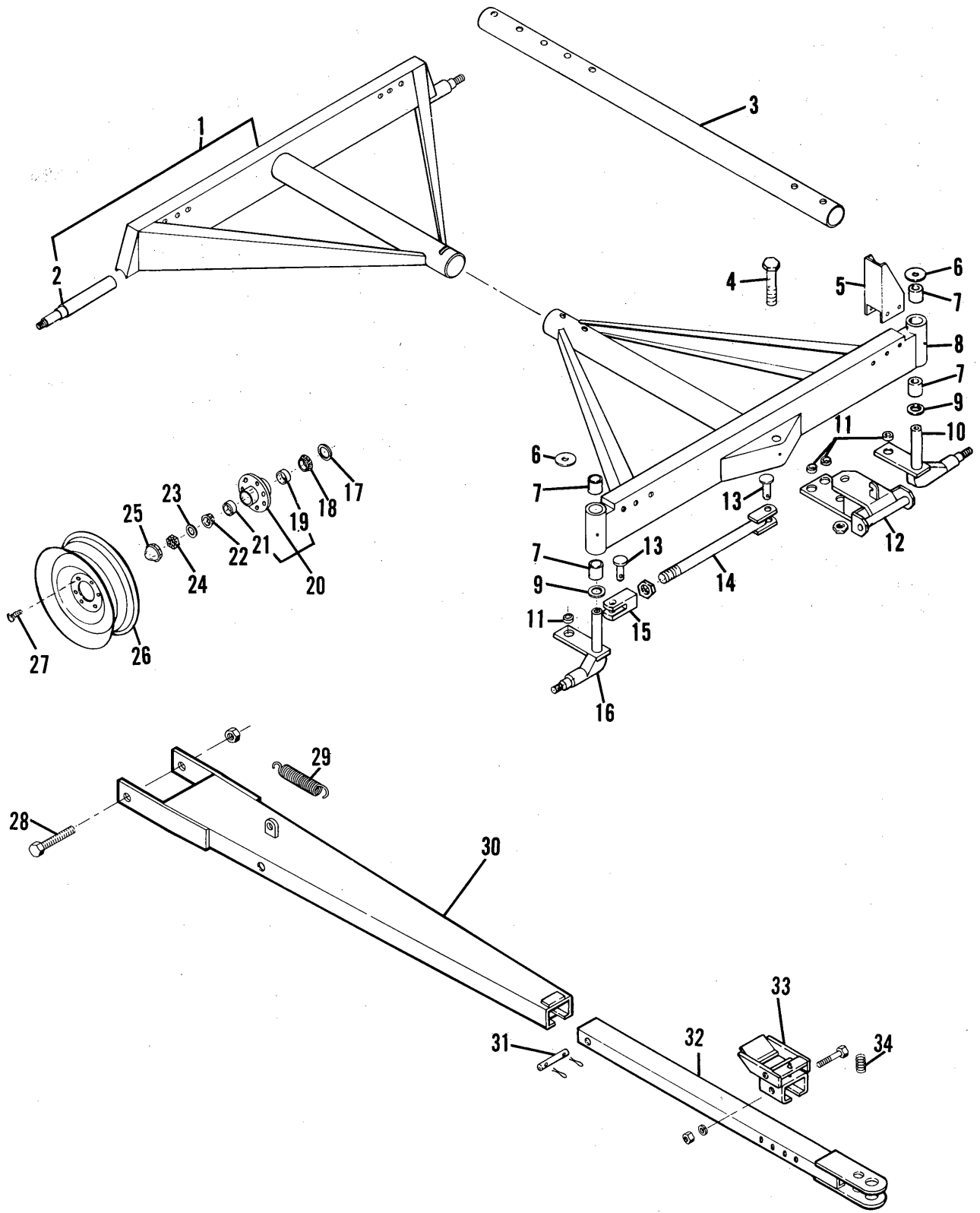
# G807 - RUNNING GEAR



## G807 - RUNNING GEAR

Ref. No.	Part No.	Part Name	No. Req.	Ref. No.	Part No.	Part Name	No. Req.
1	004686	AXLE ASSY, REAR .....	1	17	046000	BOLT/WHEEL .....	24
	650497	CS 1/2X5-1/2 (2N,2P) .....	1	18	045998	SEAL, GREASE .....	4
2	003859	SPINDLE (WELD-ON) .....	2	19	520200	CONE/BEARING-INNER .....	4
3	000314	REACH PIPE, 126" .....	1	20	520199	CUP/BEARING-INNER .....	4
4	000246	CS 7/8-14X7 (JN-NF) .....	1	21	057911	HUB W/CUPS (INCL 17) .....	4
5	000249	STAKE/BOLSTER .....	4	22	520054	CUP/BEARING-OUTER .....	4
	650744	CS 1/2X4 (N,L) .....	4	23	520201	CONE/BEARING-OUTER .....	4
6	000253	WASHER, CAP .....	2	24	041802	WASHER .....	4
	650490	CS 3/8X1 (L) .....	2	25	653119	3/4NF-SN .....	4
7	000291	BUSHING, BRONZE .....	4		655048	PIN/COTTER 5/32X1-1/4 .....	4
8	003851	AXLE ASSY, FRONT .....	1	26	076586	CAP/GREASE .....	4
	570019	FITTING/GREASE .....	3	27	045989	WHEEL 15X6 DC 6-BOLT .....	4
	650496	CS 1/2X5 (2N) .....	1		048060	WHEEL 15X8 DC 6-BOLT .....	4
9	000292	WASHER, THRUST .....	2		042165	WHEEL 15X10 DC 6-BOLT .....	4
10	003848	SPINDLE, LEFT .....	1	28	046001	NUT/WHEEL .....	24
	570019	FITTING/GREASE .....	1	29	004324	BOLT/TONGUE (JN-NF 7/8) .....	1
11	000240	BUSHING, STEEL .....	4	30	007994	POLE WELD, OUTER .....	1
12	004321	TONGUE WELD, CENTER .....	1	31	008234	STOP .....	1
	570019	FITTING/GREASE .....	3		650453	CS 1/2X1-1/2 (L) .....	2
13	001654	PIN ASSY, CLEVIS .....	4	32	007988	POLE WELD, INNER .....	1
	655020	PIN/COTTER 3/16X1-1/2 .....	4	33	007984	CHANNEL WELD .....	1
14	001648	TIE ROD, WELD (2JN-NF 7/8) .....	2	34	008998	SPRING, COMPRESSION (P 3/8) .....	1
15	001645	CLEVIS, TIE ROD .....	2	35	076100	COTTER/HAIR PIN .....	1
16	003847	SPINDLE, RIGHT .....	1	36	007981	CATCH WELD .....	1
	570019	FITTING/GREASE .....	1	37	000363	PIN ASSEMBLY .....	1

# G1007 - RUNNING GEAR

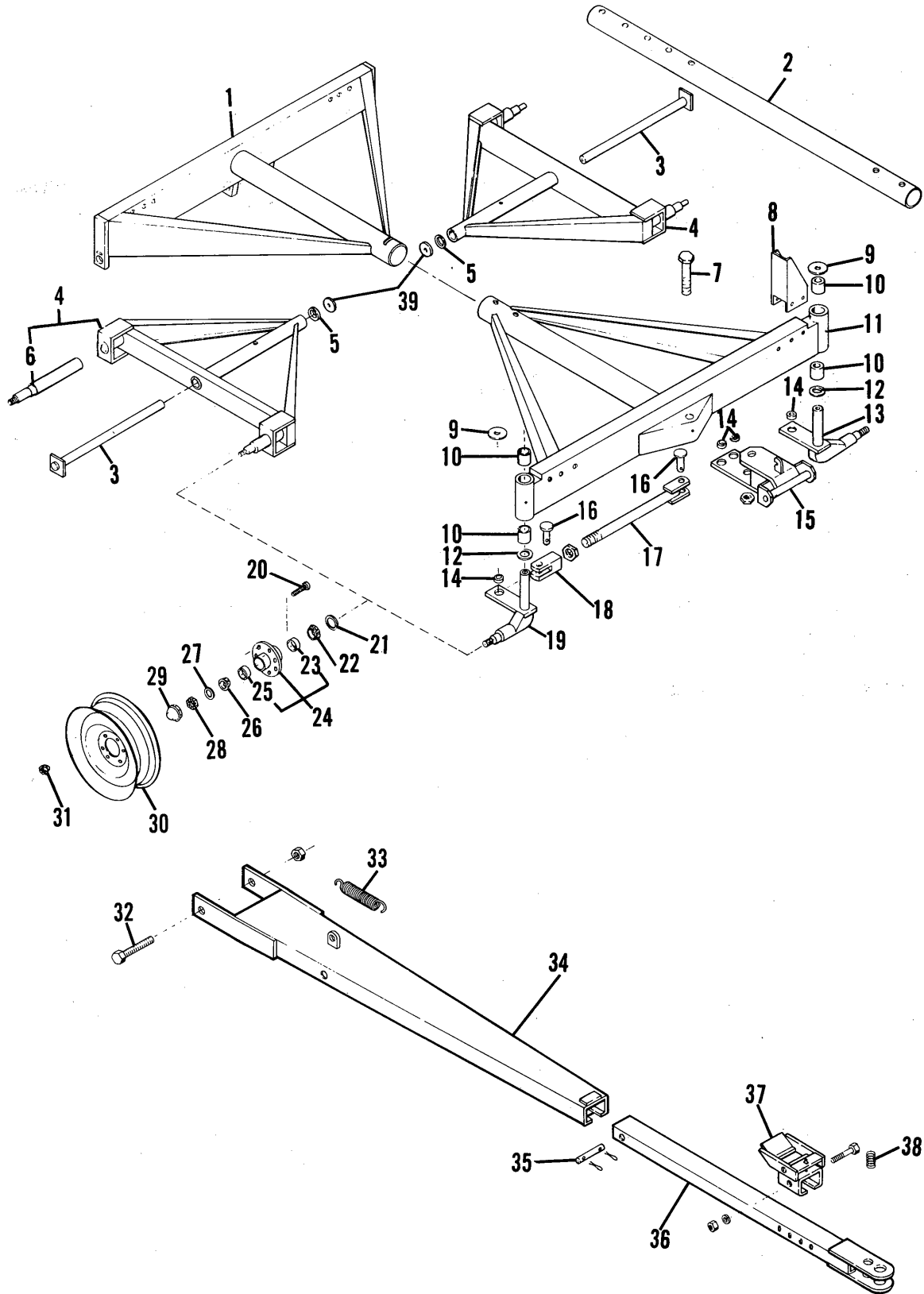




# G1007 - RUNNING GEAR

Ref. No.	Part No.	Part Name	No. Req.	Ref. No.	Part No.	Part Name	No. Req.
1	004447	AXLE ASSY, REAR .....	1	17	053329	SEAL, GREASE .....	4
	655048	PIN/COTTER 5/32X1-1/4 .....	2	18	520200	CONE/BEARING-INNER .....	4
	650497	CS 1/2X5-1/2 (2N,2P) .....	1	19	520199	CUP/BEARING-INNER .....	4
2	003864	SPINDLE (WELD-ON) .....	2	20	046137	HUB W/CONES .....	4
3	004693	REACH PIPE, 126" .....	1	21	520054	CUP/BEARING-OUTER .....	4
4	000246	CS 7/8-14X7 (JN-NF) .....	1	22	520201	CONE/BEARING-OUTER .....	4
5	000249	STAKE/BOLSTER .....	4	23	041802	WASHER .....	4
	650744	CS 1/2X4 (N,L) .....	4	24	653119	3/4NF-SN .....	4
6	000339	WASHER, CAP .....	2		655048	PIN/COTTER 5/32X1-1/4 .....	4
	650490	CS 3/8X1 (L) .....	2	25	076586	CAP/GREASE .....	4
7	000327	BUSHING, BRONZE .....	4	26	048060	WHEEL 15X8 DC 6-BOLT .....	4
8	000321	AXLE ASSY, FRONT .....	1		042165	WHEEL 15X10 DC 6-BOLT .....	4
	570019	FITTING/GREASE .....	3		081089	WHEEL 16.5X9.75 DC 6-BOLT ...	4
	650496	CS 1/2X5 (2N) .....	1			A=FOR REPLACEMENT VALVE	
9	520010	WASHER, THRUST .....	2			STEM, ORDER 045581.	
10	003868	SPINDLE, LEFT .....	1	27	046136	BOLT/WHEEL .....	24
	570019	FITTING/GREASE .....	1	28	004324	BOLT/TONGUE (JN-NF 7/8) .....	1
11	000240	BUSHING, STEEL .....	4	29	006072	SPRING/EXTENSION .....	1
12	004321	TONGUE WELD, CENTER .....	1	30	009016	POLE WELD, OUTER .....	1
	570019	FITTING/GREASE .....	3	31	009011	STOP, PIN .....	1
13	001654	PIN ASSY, CLEVIS .....	4		655020	PIN/COTTER 3/16X1-1/2 .....	2
	655020	PIN/COTTER 3/16X1-1/2 .....	4	32	009019	POLE WELD, INNER .....	1
14	001648	TIE ROD, WELD (JN-NF 7/8) .....	2	33	009014	LATCH, WELD .....	1
15	001645	CLEVIS, TIE ROD .....	2		651036	CS 7/8X5-1/2 (N,L) .....	1
16	003866	SPINDLE, RIGHT .....	1	34	008998	SPRING, COMPRESSION (P 7/16) .	1
	570019	FITTING/GREASE .....	1				

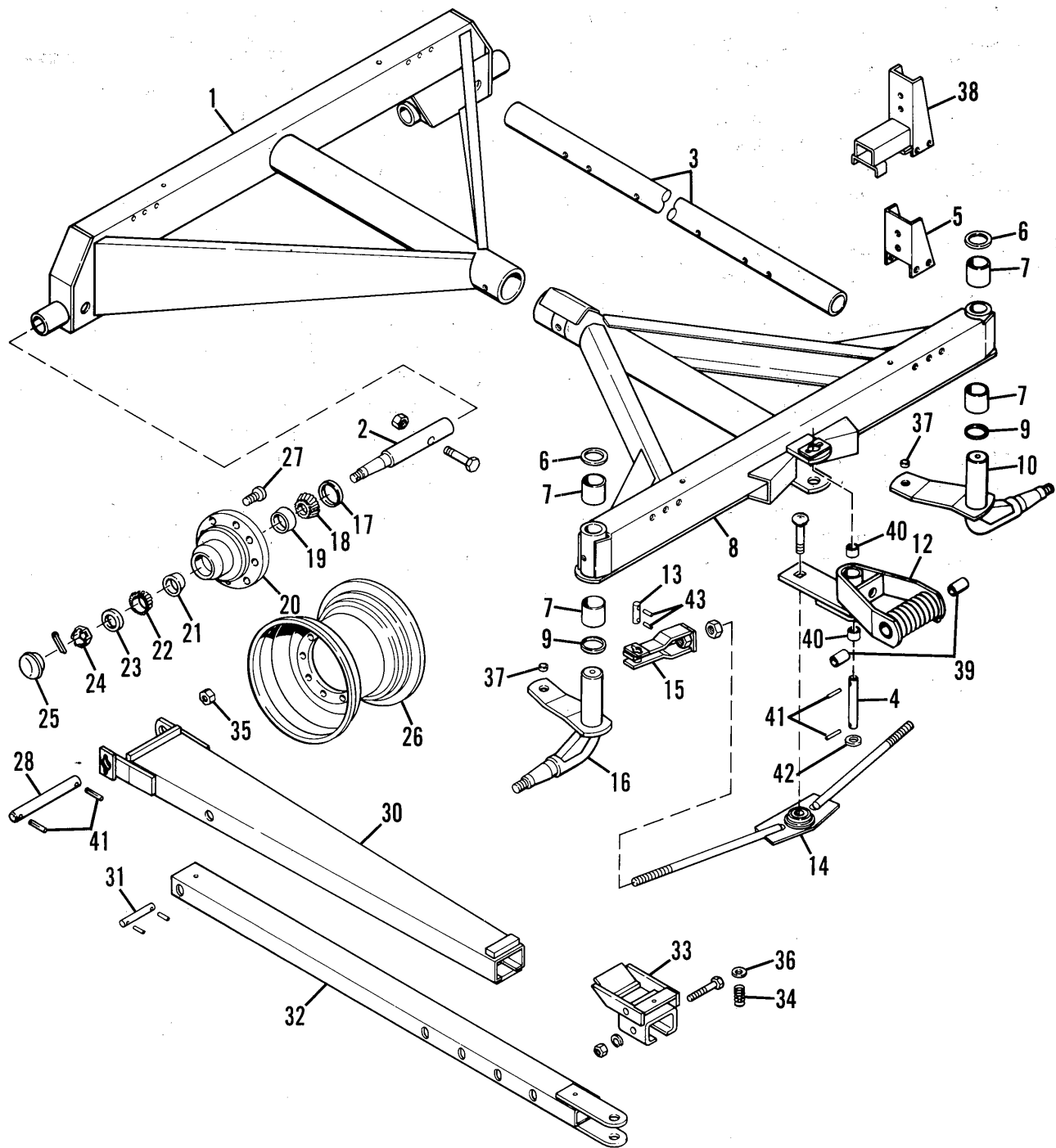
# G1057 - RUNNING GEAR



# G1057 - RUNNING GEAR

Ref. No.	Part No.	Part Name	No. Req.	Ref. No.	Part No.	Part Name	No. Req.
1	003658	AXLE, REAR 10T TANDEM	1	18	001645	CLEVIS, TIE ROD	2
	650497	CS 1/2X5-1/2 (2N,2P)	1	19	003847	SPINDLE, RIGHT	1
2	004693	REACH PIPE, 126"	1		570019	FITTING/GREASE	1
3	003664	PIN WELD	2	20	046000	BOLT/WHEEL	24
	650494	CS 1/2X1 (L,P)	2	21	045998	SEAL, GREASE	4
4	003666	BOGGIE WELD, 10 TON TANDEM	2	22	520199	CUP/BEARING-INNER	4
	570019	FITTING/GREASE	2	23	520200	CONE/BEARING-INNER	4
5	000369	WASHER, THRUST	2	24	057911	HUB W/CUPS (INCL 20)	4
6	003859	SPINDLE (WELD-ON)	4	25	520054	CUP/BEARING-OUTER	4
7	000246	CS 7/8-14X7 (JN-NF)	1	26	520201	CONE/BEARING-OUTER	4
8	000249	STAKE/BOLSTER	4	27	041802	WASHER	4
	650744	CS 1/2X4 (N,L)	4	28	653119	3/4NF-SN	4
9	000253	WASHER, CAP	2		655048	PIN/COTTER 5/32X1-1/4	4
	650490	CS 3/8X1 (L)	2	29	076586	CAP/GREASE	4
10	000291	BUSHING, BRONZE	4	30	048060	WHEEL 15X8 DC 6-BOLT	6
11	003851	AXLE ASSY, FRONT	1		042165	WHEEL 15X10 DC 6-BOLT	6
	570019	FITTING/GREASE	3	31	046001	NUT/WHEEL	24
	650496	CS 1/2X5 (2N)	1	32	004324	BOLT/TONGUE (JN-NF 7/8)	1
12	000292	WASHER, THRUST	2	33	006072	SPRING/EXTENSION	1
13	003848	SPINDLE, LEFT	1	34	009016	POLE WELD, OUTER	1
	570019	FITTING/GREASE	1	35	009011	STOP, PIN	1
14	000240	BUSHING, STEEL	4		655020	PIN/COTTER 3/16X1-1/2	2
15	004321	TONGUE WELD, CENTER	1	36	009019	POLE WELD, INNER	1
	570019	FITTING/GREASE	3	37	009014	LATCH, WELD	1
16	001654	PIN ASSY, CLEVIS	4		651036	CS 7/8X5-1/2 (N,L)	1
	655020	PIN/COTTER 3/16X1-1/2	4	38	008998	SPRING, COMPRESSION (P 7/16)	1
17	001648	TIE ROD, WELD (2JN-NF 7/8)	2	39	004311	WASHER, CAP	2

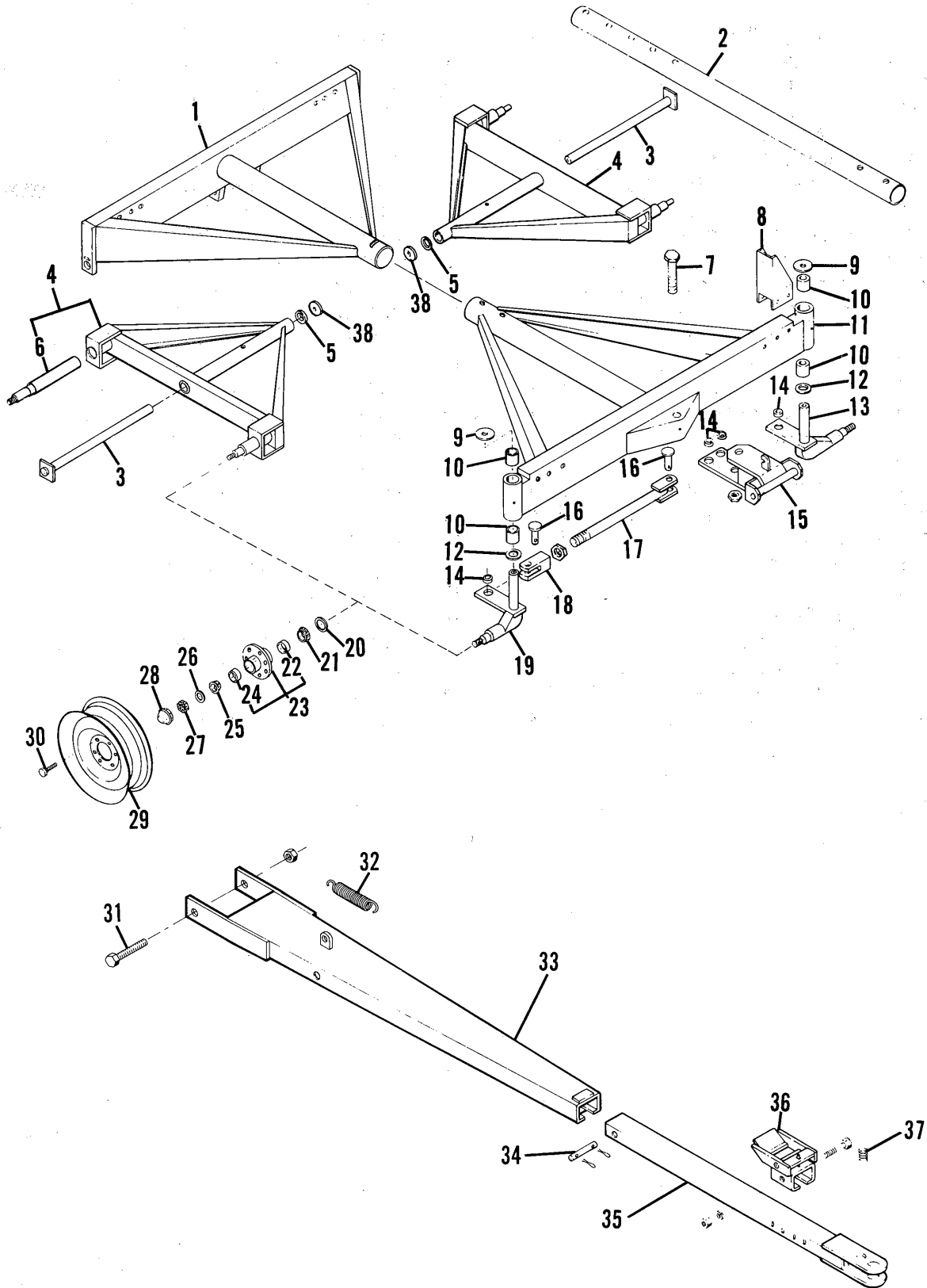
# G1207 - RUNNING GEAR



# G1207 - RUNNING GEAR

Ref. No.	Part No.	Part Name	No. Req.	Ref. No.	Part No.	Part Name	No. Req.
1	091771	AXLE/ASSY REAR .....	1	18	520214	CONE/BEARING .....	4
	650566	CS 5/8X5-1/2 (NILN) .....	1	19	520213	CUP/BEARING .....	4
2	091782	SPINDLE/REAR .....	2	20	083100	HUB (INCL 19,21,27,35) .....	4
	650454	CS 1/2X3-3/4 (NILN) .....	2	21	520054	CUP/BEARING .....	4
3	093171	REACH .....	1	22	520201	CONE/BEARING .....	4
4	091760	PIN/HITCH PIVOT .....	1	23	066717	WASHER/SPINDLE .....	4
5	091762	STAKE .....	4	24	653102	NUT/SLOTTED 7/8 .....	4
	650497	CS 1/2X5-1/2 (NILN) .....	8		655024	PIN/COTTER 3/16X2 .....	4
6	091751	WASHER/SPINDLE .....	2	25	058421	CAP/GREASE .....	4
	650488	CS 3/8X3/4 (L) .....	2	26	079718	WHEEL W11CX16.1 DC 8-BOLT ..	4
7	040179	BUSHING/BRONZE .....	4	27	078657	BOLT/WHEEL .....	32
8	091729	AXLE/ASSY FRONT .....	1	28	091761	PIN/DRAWBAR PIVOT .....	1
	570019	FITTING/GREASE .....	3	30	091785	DRAWBAR/ASSY OUTER .....	1
	650566	CS 5/8X5-1/2 (NILN) .....	1	31	009011	STOP, PIN .....	1
9	043756	WASHER .....	2		655020	PIN/COTTER 3/16X1-1/2 .....	2
10	091749	SPINDLE/ASSY LT .....	1	32	089810	POLE/ASSY INNER .....	1
	570019	FITTING/GREASE .....	1	33	009014	LATCH, WELD .....	1
12	091752	HITCH/ASSY (INCL 39,40) .....	1		651036	CS 7/8X5-1/2 (N,L) .....	1
	570019	FITTING/GREASE .....	3	34	008998	SPRING/COMPRESSION (P 7/16) .	1
13	091770	PIN/CLEVIS STEERING .....	2	35	079152	NUT/WHEEL .....	32
14	091763	ROD/TIE ASSY .....	2	36	000733	WASHER .....	1
	650651	NUT 7/8 .....	2	37	068071	BUSHING/SINTERED .....	2
	650516	CB 3/4X3-1/2 .....	1	38	091789	STAKE/RISER ASSY .....	4
	653027	NUT/HEAVY 3/4 (L) .....	1	39	073242	BUSHING/BRONZE .....	2
15	093179	CLEVIS/ASSY .....	2	40	050872	BUSHING/BRONZE .....	2
16	091745	SPINDLE/ASSY RT .....	1	41	062756	PIN/SPRING .....	4
	570019	FITTING/GREASE .....	1	42	091750	WASHER .....	2
17	604328	GREASE SEAL .....	4	43	040775	PIN/SPRING .....	4

# G1267 - RUNNING GEAR



# G1267 - RUNNING GEAR

Ref. No.	Part No.	Part Name	No. Req.	Ref. No.	Part No.	Part Name	No. Req.
1	004302	AXLE, REAR 12 TON TANDEM	1	18	001645	CLEVIS, TIE ROD	2
	650497	CS 1/2X5-1/2 (2N,2P)	1	19	003866	SPINDLE, RIGHT	1
2	004693	REACH PIPE, 126"	1		570019	FITTING/GREASE	1
3	004306	PIN WELD	2	20	053329	SEAL/WHEEL	4
	650494	CS 1/2X1 (L,P)	2	21	042163	CONE/WHEEL BEARING	4
4	081354	AXLE/TANDEM ASSY.	2	22	042162	CUP/BEARING-INNER	4
	570019	FITTING/GREASE	2	23	046137	HUB/WHEEL W/CUPS	1
5	000252	WASHER, THRUST	2	24	520201	CONE/BEARING-OUTER	4
6	003864	SPINDLE (WELD-ON)	4	25	520054	CUP/BEARING-OUTER	4
7	000246	CS 7/8-14X7 (NF-JN)	1	26	041802	WASHER	4
8	000249	STAKE/BOLSTER	4	27	653119	3/4NF-SN	4
	650744	CS 1/2X4 (N,L)	4		655048	PIN/COTTER 5/32X1-1/4	4
9	000339	WASHER, CAP	2	28	076586	CAP/GREASE	4
	650490	CS 3/8X1 (L)	2	29	048060	WHEEL 15X8 DC 6-BOLT	6
10	000327	BUSHING, BRONZE	4		042165	WHEEL 15X10 DC 6-BOLT	6
11	004318	AXLE ASSY, FRONT	1	30	046136	BOLT/WHEEL	24
	570019	FITTING/GREASE	3	31	000246	BOLT/TONGUE (JN-NF 7/8)	1
	650496	CS 1/2X5 (2N)	1	32	006072	SPRING/EXTENSION	1
12	520010	BEARING/THRUST	2	33	009016	POLE WELD, OUTER	1
13	003868	SPINDLE, LEFT	1	34	009011	STOP, PIN	1
	570019	FITTING/GREASE	1		655020	PIN/COTTER 3/16X1-1/2	2
14	000240	BUSHING, STEEL	4	35	009019	POLE WELD, INNER	1
15	004321	TONGUE WELD, CENTER	1	36	009014	LATCH, WELD	1
	570019	FITTING/GREASE	3		651036	CS 7/8X5-1/2 (N,L)	1
16	001654	PIN ASSY, CLEVIS	4	37	008998	SPRING/COMPRESSION (P 7/16)	1
	655020	PIN/COTTER 3/16X1-1/2	4	38	004311	WASHER, CAP	2
17	001648	TIE ROD, WELD (JN-NF 7/8)	2				

# NUMERICAL INDEX

Part No.	Page No.	Ref. No.	Part No.	Page No.	Ref. No.	Part No.	Page No.	Ref. No.	Part No.	Page No.	Ref. No.
<b>000000</b>			001654	09	16	008998	05	34	048060	07	26
000225	03	07	001654	13	16	008998	07	34	048060	09	30
000240	03	10	003658	09	01	008998	09	38	048060	13	29
000240	05	11	003664	09	03	008998	11	34	<b>050000</b>		
000240	07	11	003666	09	04	008998	13	37	050872	11	40
000240	09	14	003847	05	16	009011	07	31	053329	07	17
000240	13	14	003847	09	19	009011	09	35	053329	13	20
000241	03	15	003848	05	10	009011	11	31	057911	05	21
000245	03	09	003848	09	13	009011	13	34	057911	09	24
000246	03	04	003851	05	08	009014	07	33	058421	11	25
000246	05	04	003851	09	11	009014	09	37	<b>060000</b>		
000246	07	04	003859	05	02	009014	11	33	062756	11	41
000246	09	07	003859	09	06	009014	13	36	066717	11	23
000246	13	07	003864	07	02	009016	07	30	068071	11	37
000246	13	31	003864	13	06	009016	09	34	<b>070000</b>		
000249	03	05	003866	07	16	009016	13	33	073242	11	39
000249	05	05	003866	13	19	009019	07	32	076100	03	32
000249	07	05	003868	07	10	009019	09	36	076100	05	35
000249	09	08	003868	13	13	009019	13	35	076586	05	26
000249	13	08	004302	13	01	<b>040000</b>			076586	07	25
000252	03	08	004306	13	03	040179	11	07	076586	09	29
000252	13	05	004311	09	39	040775	11	43	076586	13	28
000253	03	06	004311	13	38	041802	03	23	078657	11	27
000253	05	06	004318	13	11	041802	05	24	079152	11	35
000253	09	09	004321	03	11	041802	07	23	079718	11	26
000264	03	02	004321	05	12	041802	09	27	<b>080000</b>		
000269	03	03	004321	07	12	041802	13	26	081089	07	26
000291	05	07	004321	09	15	042162	13	22	081354	13	04
000291	09	10	004321	13	15	042163	13	21	083100	11	20
000292	05	09	004324	03	28	042165	03	26	089810	11	32
000292	09	12	004324	05	29	042165	05	27	<b>090000</b>		
000314	05	03	004324	07	28	042165	07	26	091729	11	08
000321	07	08	004324	09	32	042165	09	30	091745	11	16
000327	07	07	004447	07	01	042165	13	29	091749	11	10
000327	13	10	004686	05	01	043756	11	09	091750	11	42
000339	07	06	004693	07	03	045989	03	26	091751	11	06
000339	13	09	004693	09	02	045989	05	27	091752	11	12
000363	03	34	004693	13	02	045998	05	18	091760	11	04
000363	05	37	004931	03	03	045998	09	21	091761	11	28
000369	09	05	004933	03	37	046000	03	16	091762	11	05
000733	11	36	006072	07	29	046000	05	17	091763	11	14
001645	03	14	006072	09	33	046000	09	20	091766	11	15
001645	05	15	006072	13	32	046001	03	27	091770	11	13
001645	07	15	007981	03	33	046001	05	28	091771	11	01
001645	09	18	007981	05	36	046001	09	31	091782	11	02
001645	13	18	007984	03	36	046019	03	17	091784	11	03
001648	05	14	007984	05	33	046020	03	20	091785	11	30
001648	07	14	007988	03	30	046023	03	25	091789	11	38
001648	09	17	007988	05	32	046136	07	27	093320	03	01
001648	13	17	007994	03	29	046136	13	30	<b>500000</b>		
001651	03	13	007994	05	30	046137	07	20	520010	07	09
001654	03	12	008234	03	31	046137	13	23	520010	13	12
001654	05	13	008234	05	31	048060	03	26	520021	03	21
001654	07	13	008998	03	35	048060	05	27	520022	03	22



# NUMERICAL INDEX

Part No.	Page No.	Ref. No.	Part No.	Page No.	Ref. No.	Part No.	Page No.	Ref. No.	Part No.	Page No.	Ref. No.
520054	03	19									
520054	05	22									
520054	07	21									
520054	09	25									
520054	11	21									
520054	13	25									
520199	05	20									
520199	07	19									
520199	09	22									
520200	05	19									
520200	07	18									
520200	09	23									
520201	03	18									
520201	05	23									
520201	07	22									
520201	09	26									
520201	11	22									
520201	13	24									
520213	11	19									
520214	11	18									
<b>600000</b>											
604328	11	17									
650698	03	24									
653102	11	24									
653119	05	25									
653119	07	24									
653119	09	28									
653119	13	27									

**Notes**

## TORQUE SPECIFICATIONS FOR STANDARD MACHINE HARDWARE

SIZE	SAE GRADE #2		SAE GRADE #5		SAE GRADE #8	
	DRY	LUB.	DRY	LUB.	DRY	LUB.
8 - 32	19 In. Lbs.	14 In. Lbs.	30 In. Lbs.	22 In. Lbs.	41 In. Lbs.	31 In. Lbs.
8 - 36	20 "	15 "	31 "	23 "	43 "	32 "
10 - 24	27 "	21 "	43 "	32 "	60 "	45 "
10 - 32	31 "	23 "	49 "	36 "	68 "	51 "
1/4 - 20	66 "	50 "	9 Ft. Lbs.	75 "	12 Ft. Lbs.	9 Ft. Lbs.
1/4 - 28	76 "	56 "	10 "	86 "	14 "	10 "
5/16 - 18	11 Ft. Lbs.	9 Ft. Lbs.	17 "	13 Ft. Lbs.	25 "	18 "
5/16 - 24	12 "	9 "	19 "	14 "	25 "	20 "
3/8 - 16	20 "	15 "	30 "	23 "	45 "	35 "
3/8 - 24	23 "	17 "	35 "	25 "	50 "	35 "
7/16 - 14	32 "	24 "	50 "	35 "	70 "	55 "
7/16 - 20	36 "	27 "	55 "	40 "	80 "	60 "
1/2 - 13	50 "	35 "	75 "	55 "	110 "	80 "
1/2 - 20	55 "	40 "	90 "	65 "	120 "	90 "
9/16 - 12	70 "	55 "	110 "	80 "	150 "	110 "
9/16 - 18	80 "	60 "	120 "	90 "	170 "	130 "
5/8 - 11	100 "	75 "	150 "	110 "	220 "	170 "
5/8 - 18	110 "	85 "	180 "	130 "	240 "	180 "
3/4 - 10	175 "	130 "	260 "	200 "	380 "	280 "
3/4 - 16	200 "	150 "	300 "	220 "	420 "	320 "
7/8 - 9	170 "	125 "	430 "	320 "	600 "	460 "
7/8 - 14	180 "	140 "	470 "	360 "	660 "	500 "
1 - 8	250 "	190 "	640 "	480 "	900 "	680 "
1 - 12	270 "	210 "	710 "	530 "	1000 "	740 "

Multiply In. Lbs. by (8.890) or Ft. Lbs. by (1.383) for metric Nm

**NOTE:** These torque values are to be used for all GEHL hardware excluding: locknuts, self-tapping screws, thread forming screws, and sheet metal screws. Unless otherwise noted, all torque values must meet this specification.

### Attaching Hardware Table

Size & Description	Part Number
3/8P	654006
7/16P	654046
1/2N	653018
1/2L	654030
1/2P	654009
1/2JN	653044
7/8NF-JN	653056
7/8N	650655
7/8L	650652

---

# **GEHL®**

---

# **FARM EQUIPMENT**

**GEHL COMPANY WEST BEND, WISCONSIN 53095 U.S.A.**