

Form No.  
908009  
Replaces  
902378

# FC7200

## Flail Chopper



# PARTS MANUAL

**GEHL®** AGRICULTURE

## Introduction

When ordering service parts, specify the correct part number, full description, quantity required, the unit model number and serial number.

The model and serial number for this unit are stamped on a plate located on the left rear of the Main Frame adjacent to the Lift Control Crank.

“Right” and “Left” are determined from a position standing at the rear of the unit facing the direction of travel. From this position, the Transmission and Drive are on the “Left” side.

GEHL® Company reserves the right to make changes or improvements in the design or construction of any part of the unit without incurring the obligation to install such changes on any previously delivered units.

**NOTE:** *On original tire replacement, Company policy prohibits the sale of replacement tires for all GEHL machinery. Replacement Wheel Sets are available and tire size information is called out with the Wheel Sets to facilitate replacement tire selection. ALL REPLACEMENT TIRES MUST BE PURCHASED LOCALLY.*

Refer to the abbreviations table located on this page for the various fastener descriptions. Standard attaching hardware torque values are also provided on the inside back cover.



In the exploded view parts list, Reference Numbers may have additional information following the Reference Number.

A Tear Drop symbol will indicate an application of a “wet” product such as oil, and the number inside the Tear Drop will correspond to the description in the Parts List.

Also, a number inside of a hexagon will be the torque value required, in foot pounds, on the associated Reference Number. Items shown in the parts list that do not have Reference Numbers are shown for reference purposes only and are NOT available for purchase.

Unless otherwise specified, all Cap Screws or Bolts are Grade 5, cadmium or zinc plated; Hexagon Nuts for Grade 5 Screws or Bolts are Grade B; Hexagon Nuts for other Screws or Bolts are Grade A.

**NOTE:** *The following abbreviations may be used herein:*

AR	– As Required
ASSD	– Assembled
ASSY	– Assembly
CB	– Carriage Bolt
CP	– Cotter Pin
CS	– Cap Screw (Hexagon Head)
CTR	– Center
DEG	– Degree
DIA	– Diameter
FCS	– Flanged Cap Screw
FHMS	– Flat Head Machine Screw
FLN	– Flanged Lock Nut (Hexagon)
FLS	– Flanged Lock Screw (Hexagon)
FW	– Flat Washer
GA	– Gauge
GR	– Grade
HD	– Hard or Head
HN	– Hex Nut
INCL	– Includes
IT-LW	– Internal Tooth (Lock Washer)
LT	– Left
LN	– Lock Nut
LW	– Lock Washer
JN	– Jam Nut
M	– Metric
MM/mm	– Millimeter
NF	– National Fine
NILN	– Nylon Insert Lock Nut
PB	– Plow Bolt
PTO	– Power Take Off
PTHMS	– Phillips Truss Head Machine Screw
RHMS	– Round Head Machine Screw
RPM	– Revolutions Per Minute
RT	– Right
SERR	– Serrated
SHCS	– Socket Head Cap Screw
SHSS	– Socket Head Set Screw
SN	– Serial Number or Slotted Nut
SQ	– Square
SQHSS	– Square Head Set Screw
T	– Tooth or Teeth
TFS	– Thread Forming Screw
THRD	– Thread
WLDMT	– Weldment
#	– Number
()	– (Quantity Used Here)
	– Torque Required in foot pounds
	– Indicates a Fluid Application

# TABLE OF CONTENTS

Introduction .....	Inside Front Cover
Table of Contents .....	1
Decal Locations .....	2-3
Frame, Axles & Lift Control .....	4-5
PTO & Drive .....	6-7
Cylinder, Conveyor & Drives .....	8-9
Blower-Cutter & Drive .....	10-11
Deflector, Cap & Controls .....	12
Transmissions .....	13
Hitchjacks .....	14-15
Universal Drives .....	16
Options & Accessories .....	17-19
Deflector Brace Kit .....	17
Trough Deflector Kit .....	18
Conveyor Cover Kit .....	18
3-Knife & Fan Kit .....	18
PTO High Pedestal Kit .....	18
1-Ft. Vertical Extension .....	19
3-Ft. Horizontal Extension .....	19
Hydraulic Lift Kit .....	19
Hydraulic Cylinder & Hose Kit .....	19
Service Kits .....	20-21
Alphabetical Index .....	22
Numerical Index .....	23-25
Standard Hardware Torque Specifications .....	Inside Back Cover

# CHAPTER 1

## DECAL LOCATIONS

### GENERAL INFORMATION

Decal locations information is provided to assist in the proper selection and application of new decals, in the event the original decals become damaged or the machine is repainted. Refer to the listing for the illustration reference number, part number, description and quantity of each decal provided in the kit. Refer to the appropriate illustrations for replacement locations.

**NOTE:** Refer to the SAFETY chapter of the Operator's Manual for the specific information provided on all of the various safety decals furnished in the decal kit(s).

To insure proper selection for correct replacement decals, compare all of the various close-up location photographs to your machine BEFORE starting to refinish the unit. Then circle each pictured decal applicable to your machine and check off its part number in the listing. After you have verified all the decals needed for replacement, set aside unneeded decals for disposal.

### NEW DECAL APPLICATION

Surfaces MUST be free from dirt, dust, grease and other foreign material before applying the new decal. To apply a solid-formed decal, remove the smaller portion of the decal backing paper and apply this part of the exposed adhesive backing to the clean surface while maintaining proper position and alignment. Slowly peel off the other portion of the backing paper while applying hand pressure to smooth out the decal surface.



## CAUTION

**ALWAYS observe safety precautions shown on decals. If decals become damaged, or if the unit is repainted, replace the decals. If repainting, BE SURE that ALL decals from the Kit(s) that apply to your machine are affixed to your unit.**

#### PAINT NOTICE

Use this list to order paint for refinishing:

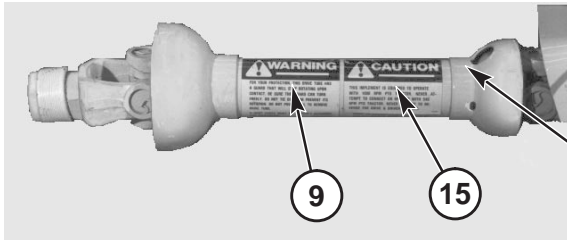
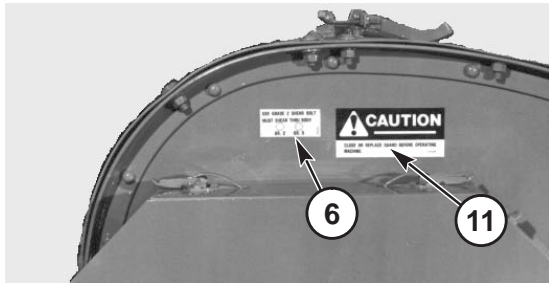
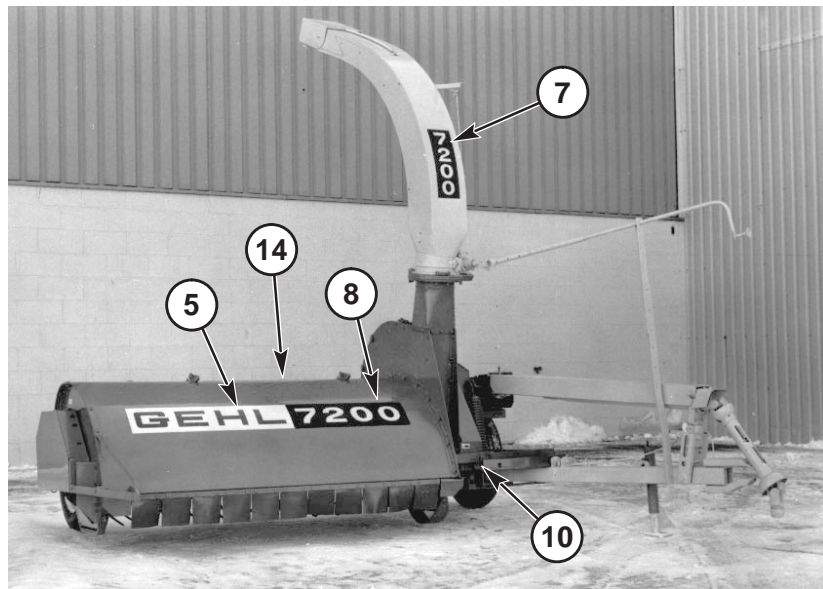
901225	One Gal. Blaze
901226	One Gal. Maize
610239	6 (12 oz. Spray Cans) Blaze
610240	6 (12 oz. Spray Cans) Maize

**NOTE:** Discard Decals NOT required for this machine. Always order Decals by set number. DO NOT order Decals separately.

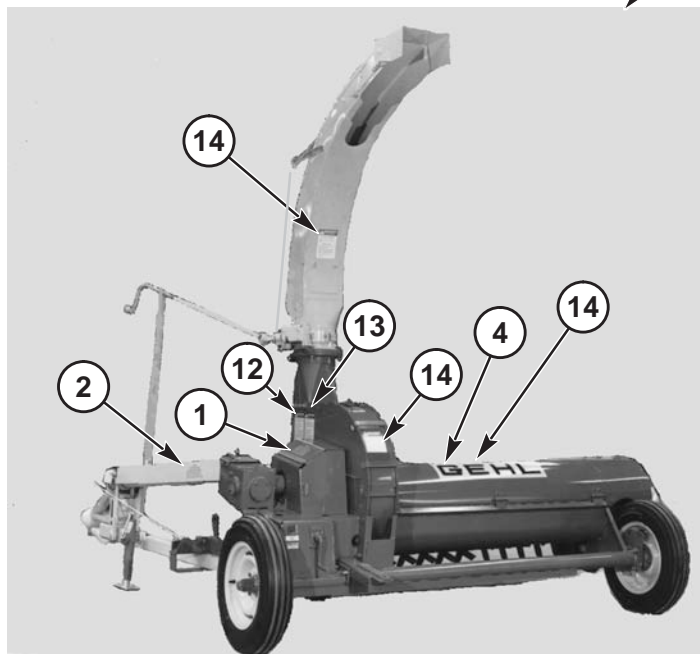
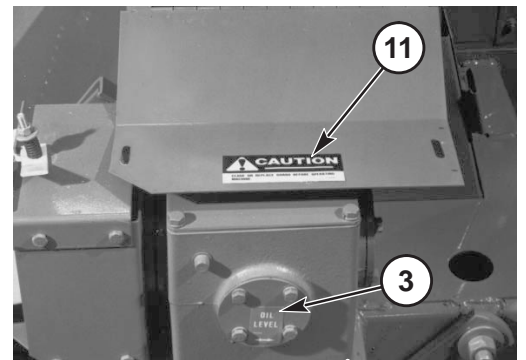
The Decal Set Number for the FC7200 is 093467. The set includes the following:

Ref. No.	Part No.	Description & Quantity
1.	053373	Decal - Drive Belts
2.	060589	Decal - Lubricating Instruction
3.	060988	Decal - Transmission Oil Level
4.	061204	GEHL 29 x 6
5.	061205	GEHL 35 x 7
6.	065827	Decal - Shear Bolts
7.	068162	7200 (Vertical)
8.	089281	7200 (Horizontal)
9.	091444	DANGER - Rotating Component
10.	093020	Lubrication Symbol
11.	093365	WARNING - Close or Replace Guard (2 Places)
12.	093367	WARNING - Owner's Responsibility & Read Manual
13.	093373	WARNING - General Safety
14.	093378	DANGER - Rotating Components (3 Places)
15.	093465	WARNING - 1000 RPM Operation ONLY
	093466	WARNING - 540 RPM Operation ONLY (Not Shown)
16.	143007*	DANGER - Shield Missing
	*	Not Included in Decal Kit.

Front Master

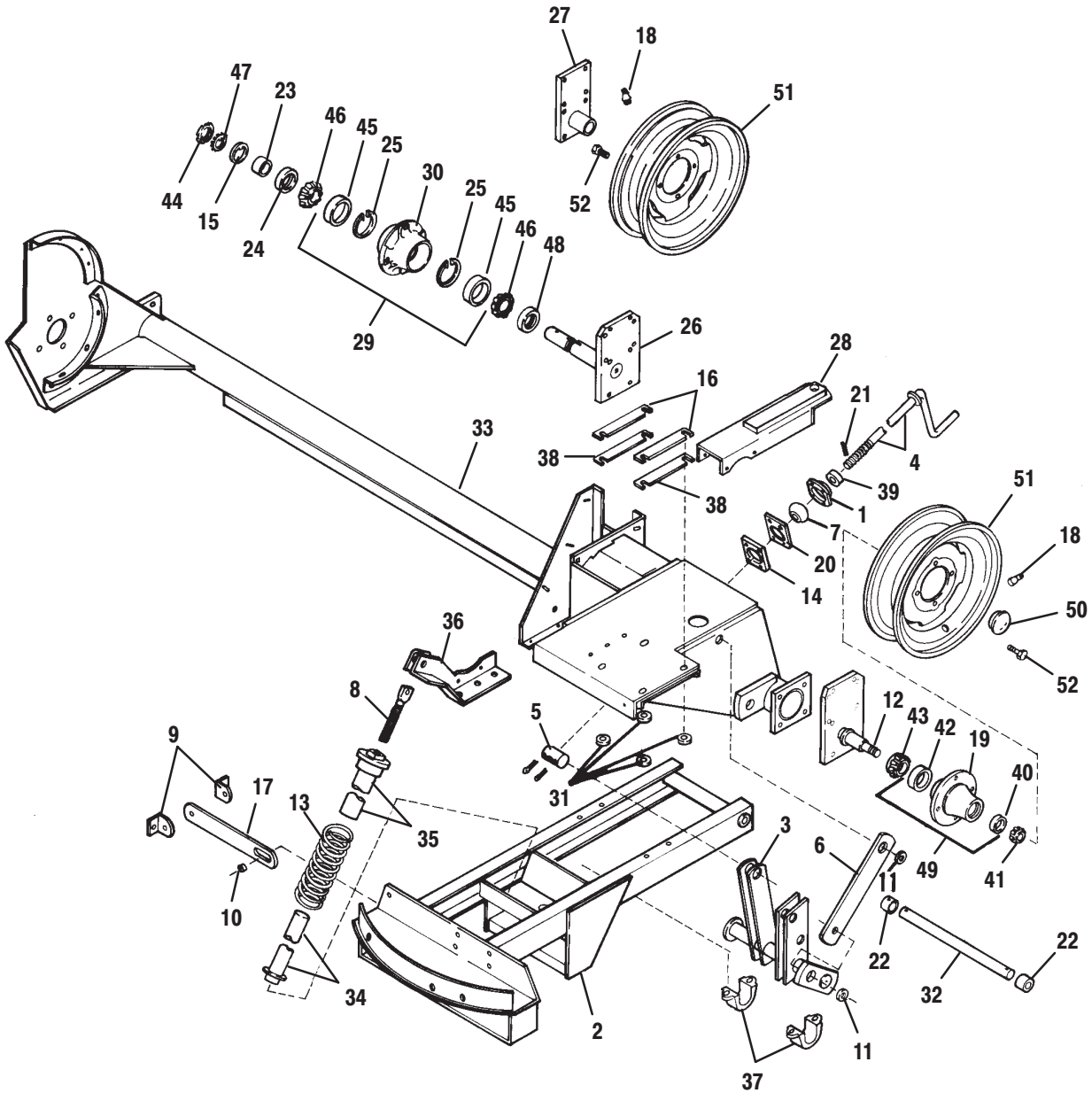


16 (Beneath shield)



Rear Master

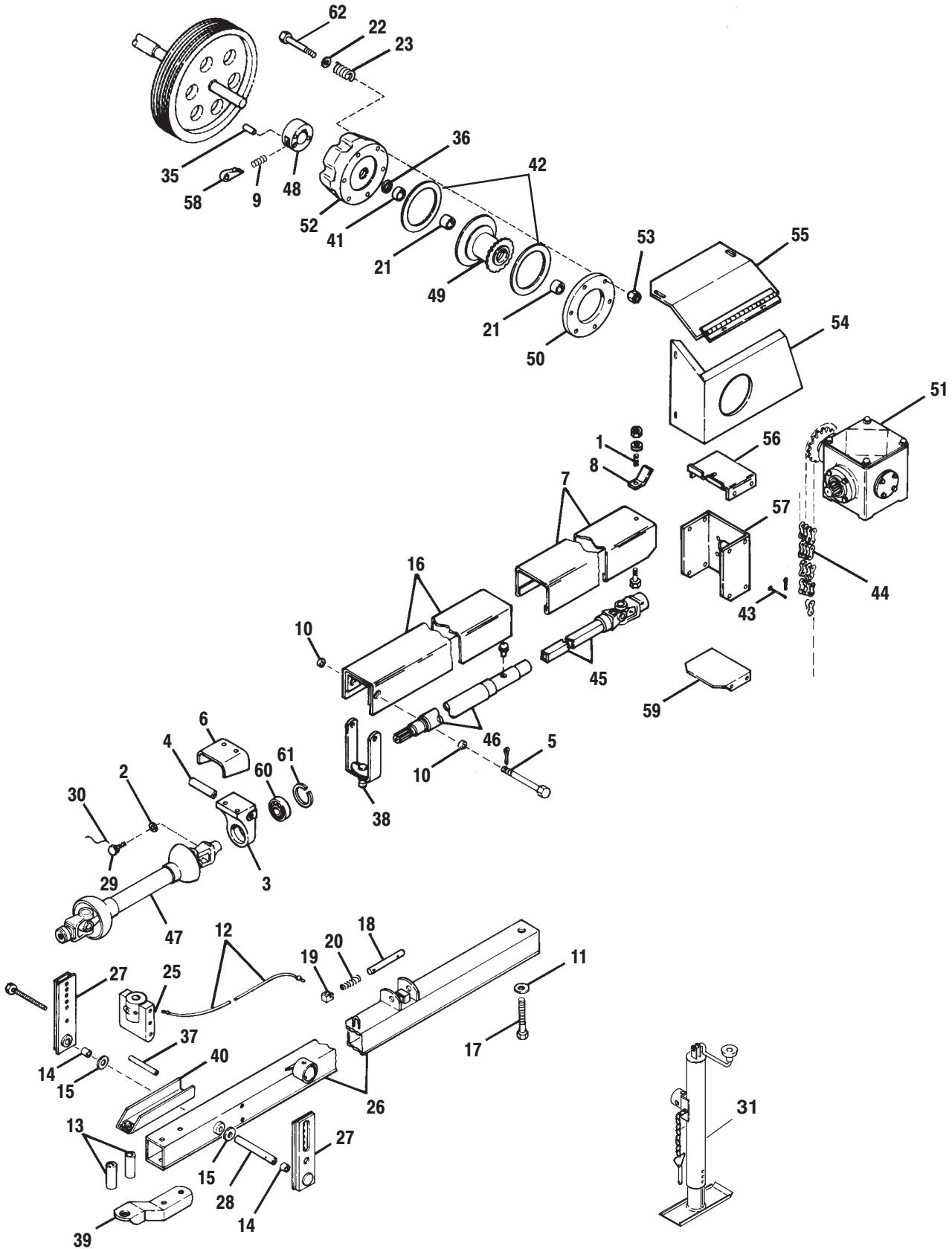
# FC7200 - FRAME, AXLES & LIFT CONTROL



## FC7200 - FRAME, AXLES & LIFT CONTROL

Ref. No.	Part No.	Description	Qty. Req.	Ref. No.	Part No.	Description	Qty. Req.
01	021618	RETAINER/BEARING	1	28	060418	HITCH	1
	650545	CS 5/16X1-1/4 (HN, LW)	4		650453	CS 1/2X1-1/2 (HN, LW)	4
02	R13013B	DRAWBAR	1	29	060425	HUB/WHEEL RT ASSD	1
03	R13016A	CRANK/LIFT	1	30	060426	HUB/WHEEL RT	1
04	R13017B	SCREW/LIFT	1	31	065304	FW 17/32 SPECIAL	4
05	R13018	NUT/LIFT SCREW	1	32	065305	PIN/FRAME RETAINER	1
	655024	CP 3/16X2	2	33	065996	FRAME/MAIN	1
06	R13019A	LINK/LIFT	1		650491	CS 3/8X1-1/4 (6 HN, 6 LW, 12 FW)	3
	650868	CS 3/4X2-1/4 (LN, FW)	2		650494	CS 1/2X1	10
07	R13058	BEARING/LIFT SCREW	1		650453	CS 1/2X1-1/2	5
08	R13174	ADJUSTMENT/FLOAT	1		650569	CS 1/2X1-3/4	3
09	R13176	HOLDER/TIE	2			14 HN, 4 LN, 18 LW	
	650453	CS 1/2X1-1/2 (LN)	1	34	066557	TUBE/TELESCOPING	1
10	R13178	BUSHING/FRAME TIE	1		655024	CP 3/16X2	1
	650569	CS 1/2X1-3/4 (HN, LW, FW)	1	35	066559	HOLDER/SPRING	1
11	R13179	PIVOT/LIFT LINK	2	36	068141	BRACKET/SPRING	1
12	R13200A	AXLE/ADJUSTABLE LT			650495	CS 1/2X1-1/4 (HN, LW)	3
	655014	CP 1/8X2 (3/4 SN)	1		650569	CS 1/2X1-3/4 (LN)	1
13	R13214A	SPRING/FLOAT	1		650487	CS 5/16X1 (HN, LW, FW)	2
14	C14106	SOCKET/BEARING	1				
15	041182	WASHER/KEYED	1	37	068155	CLAMP/PIVOT	2
16	041883	SHIM/TRANSMISSION	AR		650653	CS 1/2X4-1/2 (HN, LW, FW)	4
17	042019	TIE/FRAME	1	38	069170	SHIM/TRANSMISSION	2
18	045581	VALVE/TIRE	2	39	520007	BEARING/THRUST	1
19	047894	HUB/WHEEL	1	40	520021	CUP/BEARING	1
20	054462	BASE/SPRING RETAINER RT	1	41	520022	CONE/BEARING	1
21	057864	PIN/ROLL 3/16X1	1	42	520054	CUP/BEARING	1
22	059708	SPACER/CYL	2	43	520055	CONE/BEARING W/SEAL	1
	650568	CS 5/16X2 (4 LN)	2	44	520164	NUT/LOCK	1
23	060105	RACE/INNER	1	45	520199	CUP/BEARING	2
24	060106	SEAL/GREASE	1	46	520200	CONE/BEARING	2
25	060107	RING/RETAINING	2	47	520215	WASHER/LOCK	1
26	060413	SPINDLE/RT	1	48	530009	SEAL/OIL	1
	650569	CS 1/2X1-3/4 (HN, LW)	4	49	550004	HUB/WHEEL LT	1
27	060415	SUPPORT/SPINDLE RT	1	50	550020	CAP/DUST	1
	650870	CP 1/4X2-3/4	1	51	550035	WHEEL/DROP CENTER	2
	650495	CS 1/2X1-1/4 (HN, LW)	4	52	550041	BOLT/WHEEL	8

# FC7200 - PTO & DRIVE



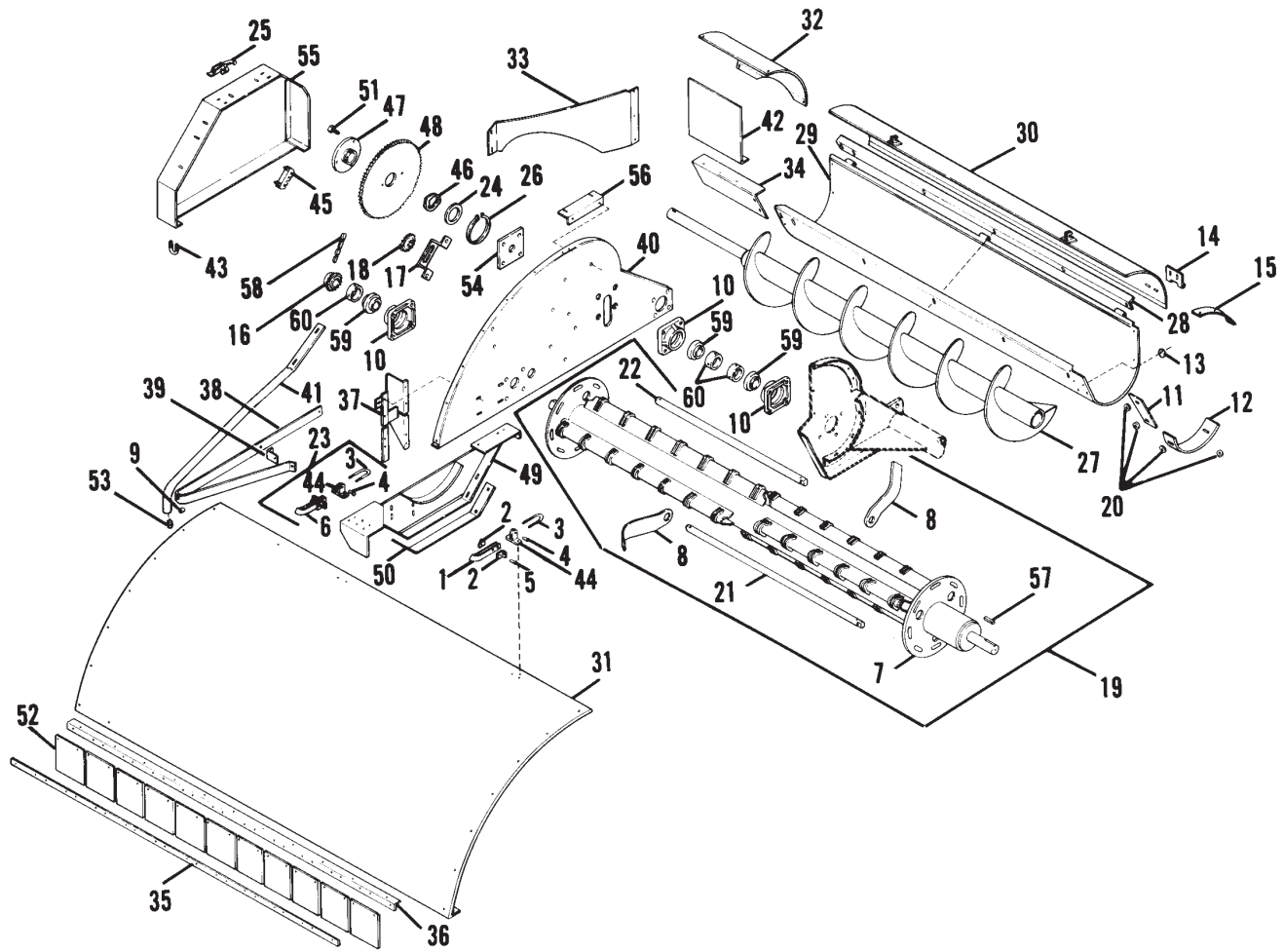


# FC7200 - PTO & DRIVE

Ref. No.	Part No.	Description	Qty. Req.	Ref. No.	Part No.	Description	Qty. Req.
01	A162	SPRING/ROLLER GUARD	1	30	061006	WIRE/JOINT SCREW LOCK	1
02	9H253	RETAINER/SPROCKET	1	31	143469 <sub>a</sub>	JACK/HITCH - ASSD (LATER STYLE)	1
03	H6031	HOUSING/BEARING	1		071117 <sub>a</sub>	JACK/HITCH - ASSD (EARLY STYLE)	1
04	H6032	PIVOT/BEARING	1	35	062667	PIN/CLUTCH DOG	1
05	H6035	BOLT/PTO SUPPORT	1	36	062749	SEAL/OIL	1
	655010	CP 1/8X1-1/2	1	37	065294	SPACER	1
		5/8 SN (FW)	1	38	065300	YOKE/UNIVERSAL DRIVE	1
06	H6040A	GUARD/DRIVE BEARING	1	39	065306	CLIP/DRAWBAR - LOWER	1
	650486	CS 5/16X3/4	2	40	065308	CLIP/DRAWBAR - UPPER	1
07	H6043B	GUARD/DRIVE - REAR OUTSIDE	1		650867	CS 5/8X5 (HN, LW)	2
	650733	CS 5/16X2-1/2 (LN, FW)	1	41	065864	BUSHING/BRONZE	1
08	H6046	LOCK/DRIVE GUARD	1	42	065866	FACING/CLUTCH	2
09	H6075	SPRING/CLUTCH	1	43	065867	PIN	1
10	H6077	SPACER/DRIVE GUARD	2		650590	CP 1/16X1/2	1
11	H6149	FW 25/32 SPECIAL	1	44	065868	CHAIN/ROLLER #60-2X18 LINKS	1
12	H6198	CORD/HITCH CONTROL (7-FT)	1	45	065869 <sub>b</sub>	DRIVE/UNIVERSAL W/SQ. SHAFT	1
13	H6219	SPACER/HITCH	2		650818	CS 3/8X3 (LN)	1
14	U10102	BUSHING/BEARING	2	46	065877	DRIVE/TUBULAR	1
15	R13112	FW 25/32	2	47	065879 <sub>b</sub>	DRIVE/UNIV - ASSD (1000 RPM)	1
16	R13170	SHIELD/FRONT	1		068163 <sub>b</sub>	DRIVE/UNIV - ASSD (540 RPM)	1
17	R13173A	BOLT/HITCH PIVOT	1	48	065999 <sub>c</sub>	HUB/CLUTCH DRIVE	1
	655024	CP 3/16X2	1		650907	SHCS 1/2X3 (LN)	2
	650087	3/4 SN	1	49	066000	DRIVER	1
18	R13244	PIN/HITCH	1	50	066005	PLATE/PRESSURE	1
	655010	CP 1/8X1-1/2	1	51	066020 <sub>d</sub>	TRANSMISSION - ASSD (1000 RPM)	1
	655028	CP 1/4X1-1/2	1		068167 <sub>d</sub>	TRANSMISSION - ASSD (540 RPM)	1
		(1) FW 3/4	1	52	067534 <sub>c</sub>	HOUSING/CLUTCH	1
19	R13245	BRACKET/CONTROL CORD	1		570002	FITTING/GREASE	1
20	R13247	SPRING/HITCH PIN	1	53	067847	LOCKNUT/HEXAGON 3/8	6
21	050872	BUSHING/BRONZE	2	54	068150	GUARD/CLUTCH	1
22	055341	WASHER/SPRING	6	55	068153	COVER/CLUTCH GUARD	1
23	055342	SPRING/CLUTCH	6		650488	CS 3/8X3/4 (HN, LW, FW)	2
	650851	CS 3/8X4-1/2	6	56	068160	COVER/SHIELD	1
25	060097	PEDESTAL	1		650486	CS 5/16X3/4 (HN, LW)	4
	570002	FITTING/GREASE	1	57	068161	BRACKET/SHIELD	1
	650594	CS 1/2X3-1/4 (LN)	1		650486	CS 5/16X3/4 (HN, LW)	4
26	060434	DRAWBAR/HITCH	1	58	068280	DOG/CLUTCH	1
	655024	CP 3/16X2	1	59	068386	COVER/SHIELD - LOWER	1
	650851	CS 3/8X4-1/2 (HN, LW)	2	60	520119	BEARING/BALL	1
27	060437	BRACKET/PEDESTAL	2	61	540006	RING/RETAINING	1
	650488	CS 3/8X3/4 (LN, LW)	4	62	073527	SCREW/ASSY	1
	650605	CS 3/8X5-1/2 (LN)	1				
28	060441	SHAFT/DRAWBAR HITCH	1				
29	060979	CS 1/2X1-1/4	1				

- a) For component breakdown, see 'Hitchjack' pages.
- b) For component breakdown, see 'Universal Drives' pages.
- c) For repair, see 'Service Kits' pages.
- d) For component breakdown, see 'Transmissions' page.

# FC7200 - CYLINDER, CONVEYOR & DRIVES



Ref. No.	Part No.	Description	Qty. Req.	Ref. No.	Part No.	Description	Qty. Req.
01	D3019	HANDLE/LOCK	2	10	R13062	HOUSING/BEARING	3
02	D3020	PIVOT/LOCK	4		570003	FITTING/GREASE	3
03	D3021	YOKE/LOCK	2	11	R13166A	CUTTERBAR/UPPER	1
		(8) 1/4 HN			650834	CB 1/2X1-1/2 (LN, (1) FW)	2
04	D3022A	RIVET/PIPE 3/4" LONG	2	12	R13167A	CUTTERBAR/LOWER	1
05	D3022B	RIVET/PIPE 1" LONG	2		650834	CB 1/2X1-1/2 (LN)	2
06	D3024	HANDLE/LOCK	2	13	R13168	CAM/CUTTERBAR	4
07	R13022C	CYLINDER	1		650488	CS 3/8X3/4 (HN, LW)	1
	655537	KEY/WOODRUFF 5/16X1-1/4	1		650276	PTHMS 3/8X3/4 (HN, LW)	3
08	R13023Ca	KNIFE/FLAIL	39	14	R13190	HINGE/COVER	3
09	R13055	SPACER	1		650547	CS 5/16X3-1/2 (HN)	3
	650545	CS 5/16X1-1/4	1		650269	PTHMS 5/16X3/4 (HN, LW, FW)	6

# FC7200 - CYLINDER, CONVEYOR & DRIVES

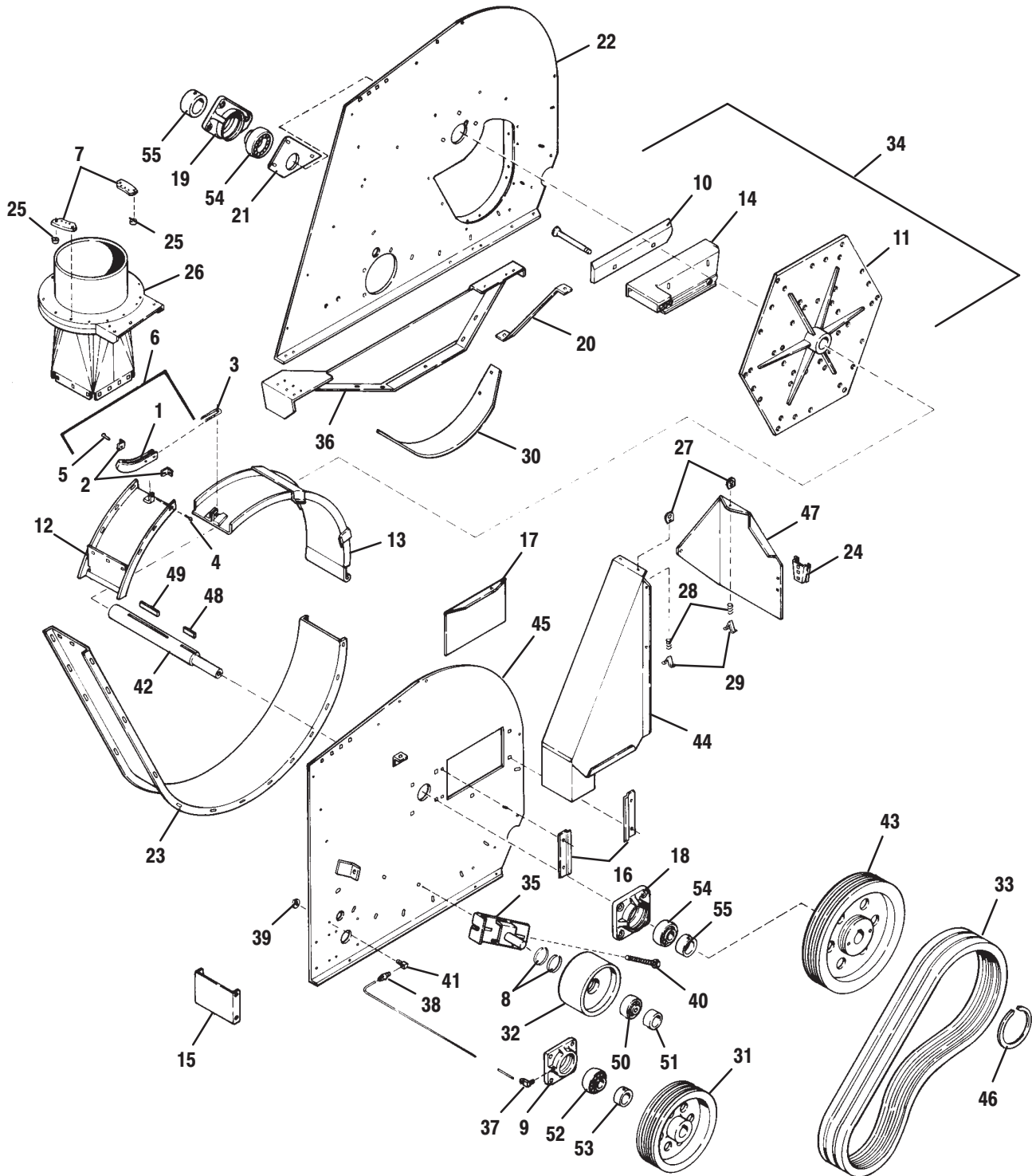
Ref. No.	Part No.	Description	Qty. Req.	Ref. No.	Part No.	Description	Qty. Req.
15	R13193	STOP/COVER	1	37	055622	REINFORCEMENT/SKID	1
	650269	PTHMS 5/16X3/4 (HN, LW, FW)	3	38	055624	DIVIDER/CROP	1
16	R13194	SPROCKET/CONVEYOR DRIVE (17T)	1		650490	CS 3/8X1 (HN, LW, FW)	1
	650203	SHSS 5/16X3/8	2		650314	PTHMS 3/8X1 (HN, LW)	2
17	R13196	BRACKET/CHAIN TIGHTENER	1	39	055625	SUPPORT/CROP DIVIDER	1
	650710	CS 5/8X2-1/4 (HN, LW, (3) FW)	1		650490	CS 3/8X1 (HN, LW)	1
18	R13220	SPROCKET/CHAIN TIGHTENER (18T)	1	40	055629	SUPPORT/CYLINDER	1
19	R13263 <sub>b</sub>	CYLINDER - ASSD	1		650486	CS 5/16X3/4 (HN, LW)	2
20	C14070	WASHER	4		650490	CS 3/8X1 (HN, LW)	11
21	041045	SHAFT/KNIFE - LONG	3		650453	CS 1/2X1-1/2 (LN, LW)	4
	655028	CP 1/4X1-1/2	6	41	056193	DIVIDER/CROP - UPPER	1
22	041046	SHAFT/KNIFE - SHORT	3		650786	CB 3/8X1-1/4 (HN, LW)	2
	655028	CP 1/4X1-1/2	6	42	056982	DEFLECTOR	1
23	042205	LOCK/COVER	2		650269	PTHMS 5/16X3/4 (HN, LW)	3
24	043756	FW 2-9/32	1	43	057649	U-BOLT ((8) 1/4 HN, (4) 1/4 LW)	2
25	079878	LATCH	2	44	058592	BRACKET/COVER LOCK MOUNT	2
	650812	RHMS #1224X1/2 (HN, LW, FW)	4	45	059272	HOLDER/SHEAR BOLT	1
26	053392	RING/RETAINING	1	46	060099	WASHER/WAVE	1
27	055594	AUGER/CONVEYOR	1	47	060398	FLANGE/SHEAR	1
	655537	KEY/WOODRUFF 5/16X1-1/4	1		650212	SHSS 3/8X3/8	2
28	055600	STOP/AUGER	1	48	060423	SPROCKET/80T SHEAR	1
29	055601	TROUGH	1	49	060444	SKID/RIGHT	1
	650314	PTHMS 3/8X1 (HN, LW, FW)	6		650490	CS 3/8X1 (HN, LW, FW)	4
	650704	CB 3/8X1 (HN, LW, FW)	5	50	060452	SHOE/WEAR RIGHT	1
30	055604	COVER/AUGER	1		650786	CB 3/8X1-1/4 (HN, LW, FW)	4
31	055606	COVER/HOOD	1	51	061688 <sub>c</sub>	BOLT/SHEAR 1/4X1-1/4	5
	650486	CS 5/16X3/4 (HN, LW)	11	52	062284	DEFLECTOR/STONE	11
	650490	CS 3/8X1 (HN, LW, FW)	15	53	063605	NUT/WELD 5/16	1
	650269	PTHMS 5/16X3/4 (HN, LW)	4	54	067517	PLATE	1
	650314	PTHMS 3/8X1 (HN, LW, FW)	7	55	068145	GUARD	1
32	055607	EXTENSION/HOOD	1	56	068157	BRACKET/GUARD	1
	650276	PTHMS 3/8X3/4 (HN, LW)	2	57	068728	KEY/TAPERED 5/16X2	1
	650314	PTHMS 3/8X1 (HN, LW)	3	58	500041	CHAIN/ROLLER #40X125 LINKS	1
33	055608	DEFLECTOR/FEED	1			INCLUDES (1) 500037 PLAIN CONNECTOR & (1) 500038 OFFSET CONNECTOR	
	650314	PTHMS 3/8X1 (HN, LW, (3) FW)	5	59	520092	BEARING/BALL	3
34	055609	EXTENSION/TROUGH	1	60	520093	COLLAR/BEARING	3
	650314	PTHMS 3/8X1 (HN, LW)	2				
	650704	CB 3/8X1 (HN, LW, FW)	1				
	650786	CB 3/8X1-1/4 (HN, LW)	1				
35	055617	SUPPORT/DEFLECTOR - FRONT	1				
	650490	CS 3/8X1 (HN, LW)	22				
36	055618	SUPPORT/DEFLECTOR - REAR	1				

**a) For Flail Knife replacement, order R13280 for package of (13) Knives.**

**b) For Knife Holder replacement, order the following: R13273A (6-knife, short) or R13273B (7-knife, long).**

**c) For Replacement Shear Bolts, order only Kit 900004 (containing 8 Shear Bolts with fasteners.)**

# FC7200 - BLOWER-CUTTER & DRIVE

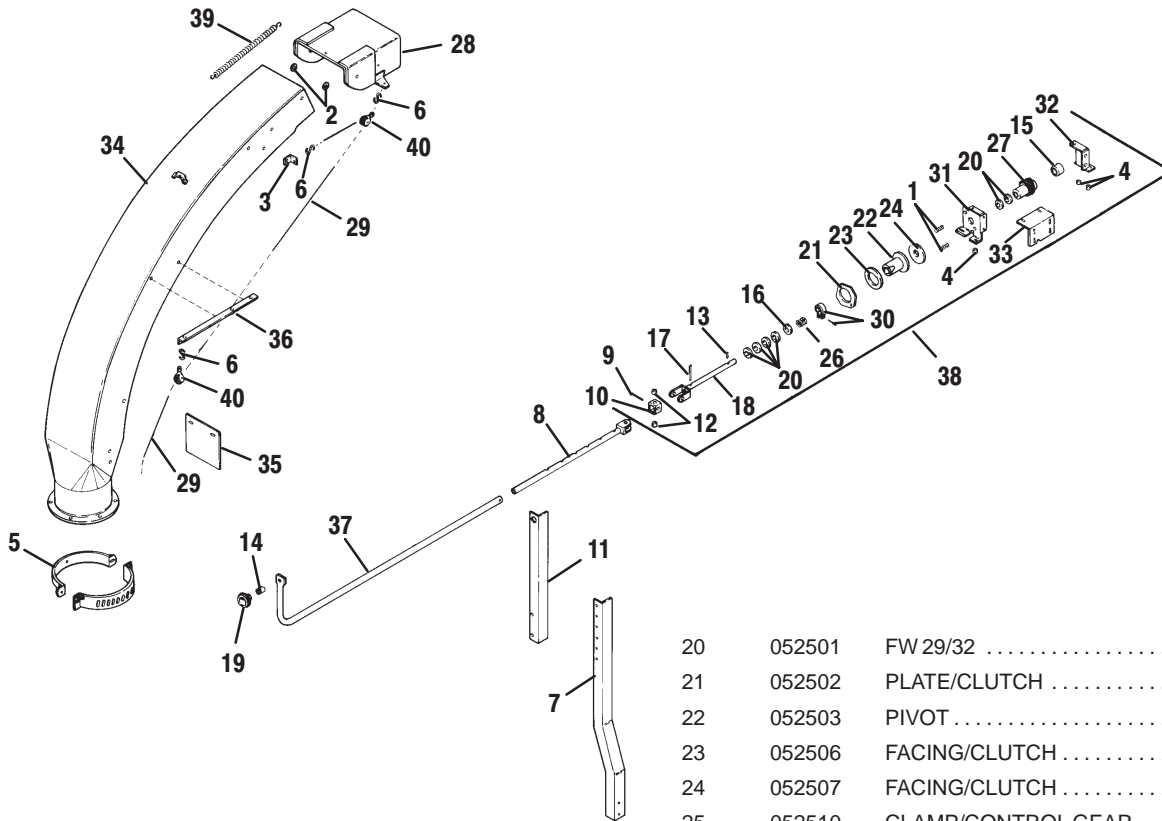


# FC7200 - BLOWER-CUTTER & DRIVE

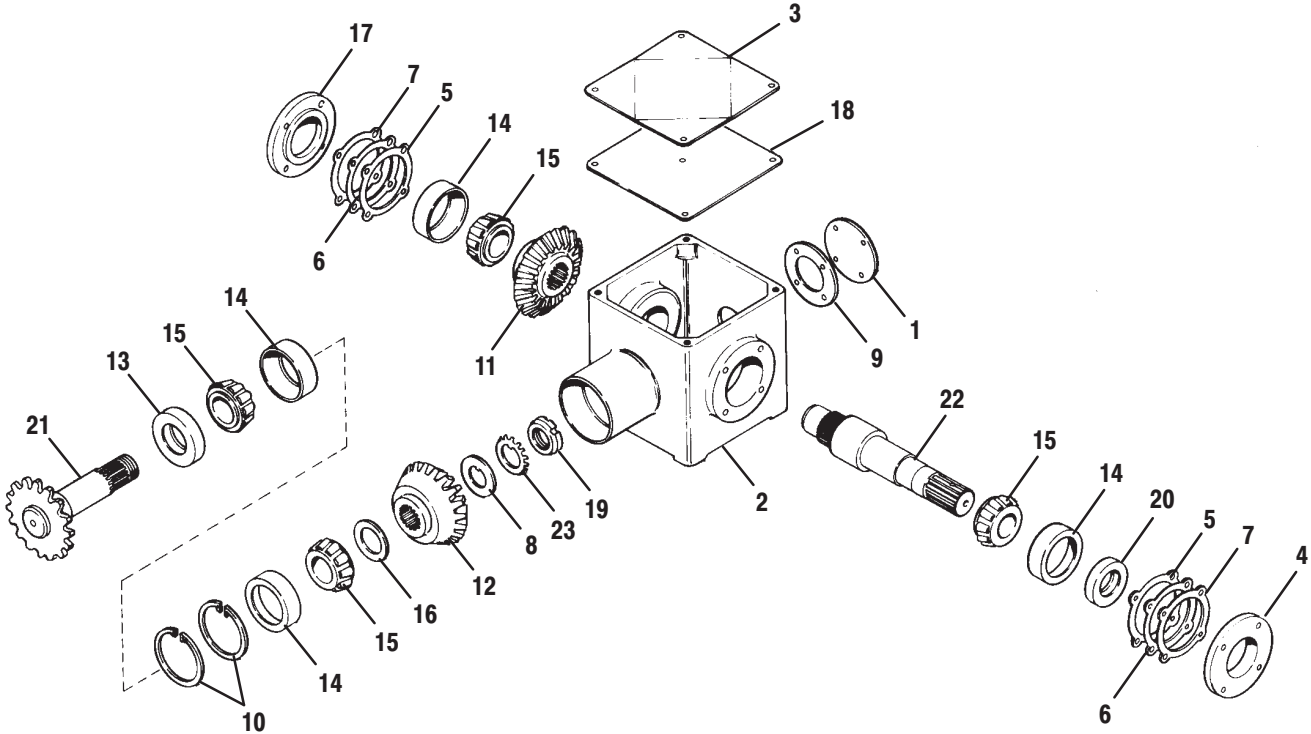
Ref. No.	Part No.	Description	Qty. Req.	Ref. No.	Part No.	Description	Qty. Req.
01	D3019	HANDLE/LOCK	1	26	055590	OUTLET	1
02	D3020	PIVOT/LOCK	2		650488	CS 3/8X3/4 (LN, FW)	1
03	D3021	YOKE/LOCK (4 HN 1/4)	1	27	055690	HANDLE/LATCH	2
04	D3022A	RIVET/PIPE - 3/4" LONG	1	28	055691	SPRING/LATCH	2
05	D3022B	RIVET/PIPE - 1" LONG	1	29	055692	CLIP/LATCH	2
06	D3024	HANDLE/LOCK	1	30	055813	SKID/LEFT	1
07	H6013B	HOLDDOWN/DEFLECTOR	2		650786	CB 3/8X1-1/4 (LN, FW)	4
	650818	CS 3/8X3 (8 HN)	4	31	060093	SHEAVE/DRIVEN	1
08	M12141	RING/RETAINING	2	32	060095	IDLER/TIGHTENER	1
09	R13062	HOUSING/BEARING	1	33	060109	V-BELT (MATCHED SET OF 3)	1
	570003	FITTING/GREASE	1	34	060122	ROTOR/BLOWER ASSD	1
	650569	CS 1/2X1-3/4 (LN, LW)	4	35	060409	MOUNT/IDLER	1
10	R13146 <sub>a</sub>	KNIFE/FLYWHEEL	3	36	060449	SKID/LEFT	1
	652121	PB 5/8X5-1/2 (HN, JN)	6	37	061843	COUPLER/ANGLE SNAP-ON	1
11	R13147	DISC	1	38	061845	CONNECTOR/STRAIGHT TUBE	1
	650221	SHSS 1/2X1/2	1	39	061848	NUT/BULKHEAD ADAPTER	1
	650224	SHSS 1/2X3/4	1	40	061937	BOLT/HEX TAP 1/2X5-1/2 (2HN, 2FW)	1
	650258	SQHSS 3/4X1-1/4	6	41	065624	ADAPTER/RIGHT ANGLE	1
12	R13151	RIM/BLOWER UPPER	1		570018	FITTING/GREASE	1
	650527	CB 1/2X1-1/4 (HN, LW)	3	42	065671	SHAFT/BLOWER	1
13	R13152	COVER/BLOWER	1	43	065876 <sub>b</sub>	SHEAVE/DRIVE	1
14	R13153	FAN/BLOWER	3	44	066006	GUARD/BELT	1
	650534	CS 7/16X2 (HN, LW, FW)	6		650486	CS 5/16X3/4 (HN, LW, 2FW) (2) 3/8 HN, FW	3
15	R13156	SPACER/BLOWER SIDE	1		066014	SIDE/BLOWER LT	1
16	R13163	SLIDE/ADJUSTMENT COVER	2	45	650490	CS 3/8X1 (HN, LW)	15
17	R13164	COVER/ADJUSTMENT	1		650453	CS 1/2X1-1/2	4
18	R13216	HOUSING/BEARING - LEFT	1		650687	CB 5/16X3/4 (HN, LW)	4
	570003	FITTING/GREASE	1		650527	CB 1/2X1-1/4	7
19	R13216A	HOUSING/BEARING - RIGHT	1		650791	CB 1/2X1-3/4	4
	570003	FITTING/GREASE	1			(7) 1/2 HN, (8) 1/2 LN, (11) 1/2 LW, (1) 1/2 FW	
20	R13217	BRACE/SKID	1		068158	RING/RETAINING	3
	650491	CS 3/8X1-1/4 (HN, LW)	1	46	068159	GUARD/BELT - REAR	1
21	R13252	SUPPORT/BEARING - INSIDE	1	47	068734	KEY/TAPERED 3/8X2	1
22	042694	SIDE/BLOWER - RIGHT	1	48	068740	KEY/TAPERED 7/16X3	1
	650888	CS 5/16X7-1/2 (LN)	1	49	520062	BEARING/BALL	1
	650490	CS 3/8X1 (HN, LW 16FW)	18	50	520084	COLLAR/BEARING	1
	650494	CS 1/2X1 (HN, LW)	2	51	520092	BEARING/BALL	1
	650527	CB 1/2X1-1/4 (HN, LW)	4	52	520093	COLLAR/BEARING	1
	650791	CB 1/2X1-3/4 (HN, LW)	3	53	520098	BEARING/BALL	2
23	042696	RIM/BLOWER - LOWER	1	54	520099	COLLAR/BEARING	2
	650527	CB 1/2X1-1/4 (HN, LW)	3				
24	047269	SOCKET/SIGN MOUNTING	1				
	650687	CS 5/16X3/4 (HN, LW)	2				
25	052596	SPACER	4				

a) For Knife replacement, order R13270 (3-Knife set).  
b) For repair, see 'Service Kits' pages.

# FC7200 - DEFLECTOR, CAP & CONTROLS

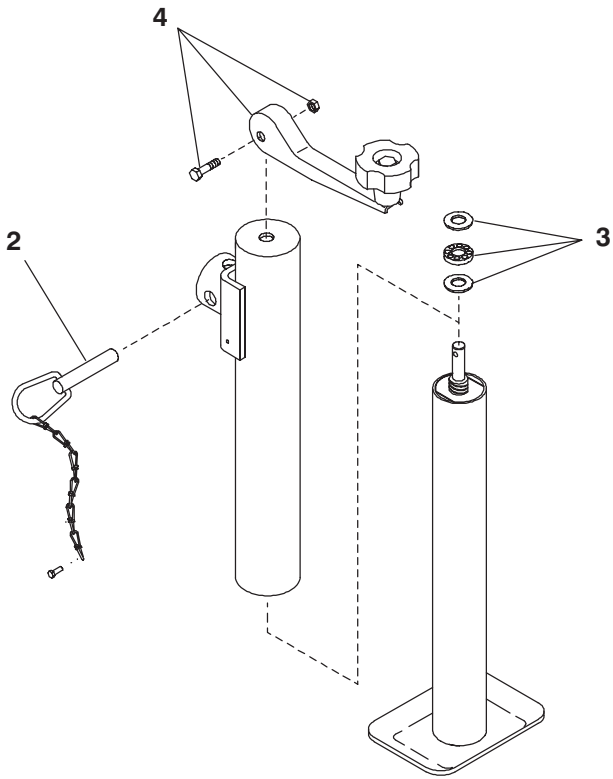


Ref. No.	Part No.	Description	Qty. Req.
01	A162	SPRING/COMPRESSION .....	2
02	9H253	FW 17/32 .....	2
03	17H386	TAKEUP .....	1
	650488	CS 3/8X3/4 (HN, LW) .....	1
04	H6053A	SPACER/DEFLECTOR HOLDDOWN .	3
05	H6221	CLAMP/DEFLECTOR CONTROL ....	1
06	B11433A	S-HOOK .....	3
07	R13063C	STAND/DEFLECTOR CONTROL .....	1
	650490	CS 3/8X1 (HN, LW) .....	2
08	R13086B	SHAFT/DEFLECTOR CONTROL .....	1
	650577	CS 5/16X1-1/2 (LN) .....	1
09	R13118	PIN/CONTROL YOKE PIVOT .....	1
10	R13119	PIVOT/CONTROL YOKE .....	1
11	R13268	EXTENSION/CONTROL BRACE .....	1
12	040602	BUSHING .....	2
13	040775	PIN/SPRING 1/4X1-1/4 .....	1
14	043192	SPACER/TAKEUP BRACKET .....	1
15	047028	SPACER .....	1
16	049061	FW 29/32 .....	1
17	052125	PIN/ROLL 5/16X2-1/2 .....	1
18	052497	SHAFT/WORM .....	1
19	052500	KNOB .....	1
	650818	CS 3/8X3 ((2) 3/8 HN, (1) 5/16 FW) ..	1
	20	052501 FW 29/32 .....	6
	21	052502 PLATE/CLUTCH .....	1
	22	052503 PIVOT .....	1
	23	052506 FACING/CLUTCH .....	1
	24	052507 FACING/CLUTCH .....	1
	25	052510 CLAMP/CONTROL GEAR .....	1
		650528 CS 3/8X2 (HN, LW, 3 FW) .....	2
	26	052513 SPRING/COMPRESSION .....	1
	27	052515 WORM/DEFLECTOR .....	1
		570019 FITTING/GREASE .....	1
	28	052593 CAP/DEFLECTOR .....	1
		650495 CS 1/2X1-1/4 (LN) .....	2
	29	052595 CORD/DEFLECTOR .....	1
	30	053934 CLAMP/HOSE .....	1
	31	054107 BRACKET/DEFLECTOR - FRONT .....	1
	32	054110 BRACKET/WORM - REAR .....	1
	33	054113 PLATE/BACKING .....	1
		650486 CS 5/16X3/4 (HN, LW, FW) .....	6
	34	055506 DEFLECTOR .....	1
		570002 FITTING/GREASE .....	1
		650488 CS 3/8X3/4 (HN, LW) .....	2
		(2) 5/16 WN, (2) 5/16 FW	
	35	055516 COVER/DEFLECTOR HOLD .....	1
	36	055517 BRACKET/PULLEY .....	1
	37	055619 CRANK/DEFLECTOR CONTROL .....	1
	38	055700 CONTROL/DEFLECTOR .....	1
		650533 CS 3/8X1-1/2 (HN, LW, FW) .....	1
		650818 CS 3/8X3 (HN, LW, FW) .....	2
	39	056336 SPRING/EXTENSION .....	1
		650758 CB 1/4X3/4 (HN, LW, FW) .....	1
	40	058539 PULLEY/DEFLECTOR .....	2



Ref. No.	Part No.	Description	Qty. Req.	Ref. No.	Part No.	Description	Qty. Req.
	066020	TRANSMISSION - ASSD (1000 RPM) . . .	1	10	054155	RING/RETAINING . . . . .	2
	068187	TRANSMISSION - ASSD (540 RPM) . . . .	1	11	060084	GEAR/23T (1000 RPM) . . . . .	1
		CONSISTS OF:			060089	GEAR/31T (540 RPM) . . . . .	1
01	B11189	COVER/TRANSMISSION . . . . .	1	12	060086	PINION/22T (1000 RPM) . . . . .	1
	650485	CS 5/16X5/8 (LW) . . . . .	4		060088	PINION/16T (540 RPM) . . . . .	1
02	R13000C	HOUSING/TRANSMISSION . . . . .	1	13	060100	SEAL/OIL . . . . .	1
	570016	FITTING/RELIEF . . . . .	1	14	060101	CUP/BEARING . . . . .	4
	650453	CS 1/2X1-1/2 (LW) . . . . .	2	15	060102	CONE/BEARING . . . . .	4
	650569	CS 1/2X1-3/4 (LW) . . . . .	2	16	060104	FW 1-9/16 . . . . .	2
03	R13005B	COVER/TRANSMISSION HOUSING . . . .	1	17	060431	CAP/TRANSMISSION BEARING . . . . .	1
	650488	CS 3/8X3/4 (LW) . . . . .	4		650490	CS 3/8X1 (LW) . . . . .	4
04	R13006A	CAP/TRANSMISSION BEARING . . . . .	1	18	060983	COVER/GASKET . . . . .	1
	650490	CS 3/8X1 (LW) . . . . .	4	19	061334	NUT/LOCK . . . . .	1
05	R13077B	SHIM/BEARING .005 . . . . .	2	20	065878	SEAL/OIL . . . . .	1
06	R13078B	SHIM/BEARING .0075 . . . . .	4	21	066021	SHAFT/OUTPUT . . . . .	1
07	R13079B	SHIM/BEARING .020 . . . . .	5	22	066024	SHAFT/INPUT . . . . .	1
08	041182	WASHER . . . . .	1	23	520215	WASHER/LOCK . . . . .	1
09	050079	GASKET/COVER . . . . .	1				

# FC7200 - HITCHJACK (LATER STYLE)



## Fulton

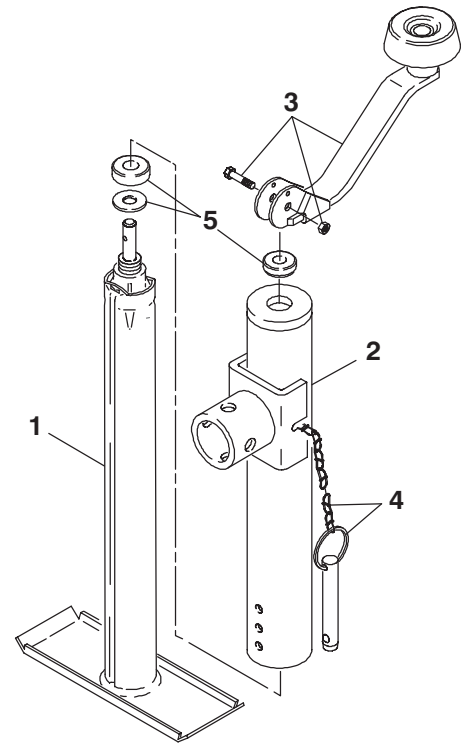
Ref. No.	Part No.	Description	Qty. Req.
	143469	HITCHJACK - FULTON .....	1
		CONSISTS OF:	
02	143601	KIT/PIN & CHAIN .....	1
03	143599	KIT/BEARING .....	1
04	143603	KIT/JACK HANDLE .....	1



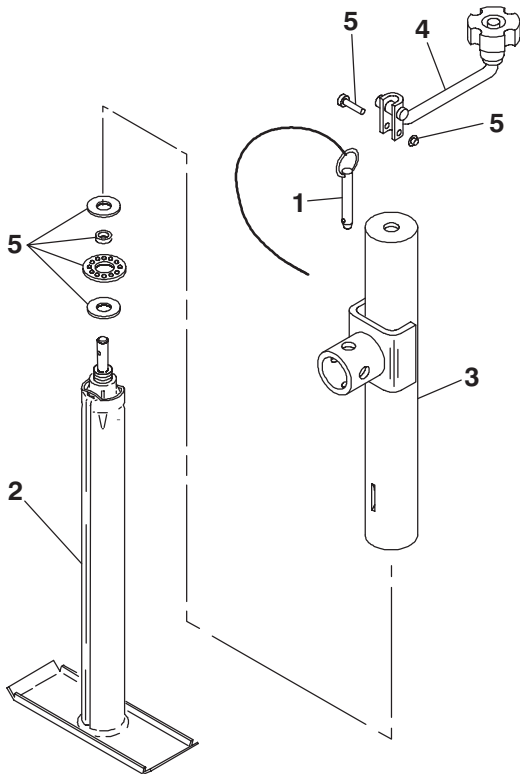
# FC7200 - HITCHJACK (EARLY STYLE)

## Wesbar

Ref. No.	Part No.	Description	Qty. Req.
	071117	HITCHJACK - (WESBAR) .....	1
		CONSISTS OF:	
01	076867	TUBE/INNER .....	1
02	076868	TUBE/OUTER .....	1
03	076866	HANDLE .....	1
04	061276	PIN & CHAIN .....	1
05	094300	KIT/INTERNAL PARTS .....	1



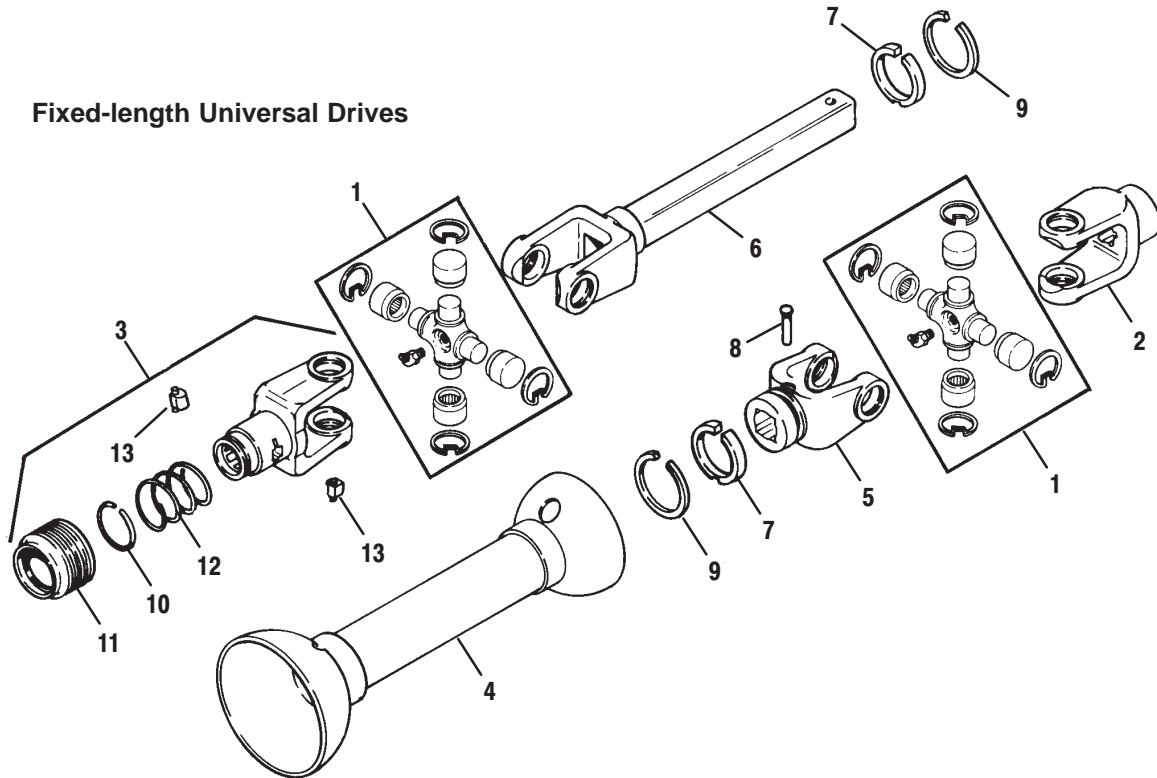
## Hammerblow



Ref. No.	Part No.	Description	Qty. Req.
	071117	HITCHJACK - (HAMMERBLOW) ...	1
		CONSISTS OF:	
01	061276	PIN & CHAIN .....	1
02	061341	TUBE/INNER .....	1
03	061342	TUBE/OUTER .....	1
04	055682	HANDLE .....	1
05	071271	KIT/REPAIR (INCLUDES CRANK PIN, PUSHNUT, THRUST WASHER, BALL & CAGE BEARING, FELT SPACER & SUPPORT WASHER ...	1

# FC7200 - UNIVERSAL DRIVES

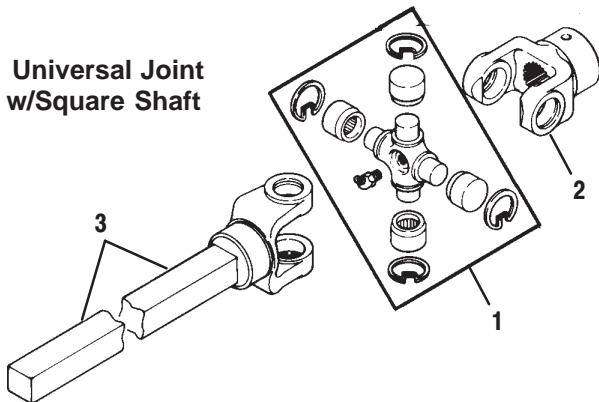
## Fixed-length Universal Drives



Ref. No.	Part No.	Description	Qty. Req.	Ref. No.	Part No.	Description	Qty. Req.
	065879	UNIVERSAL DRIVE (1000 RPM) .....	1	06	065882	U-JOINT W/SQ. SHAFT (1000 RPM) ...	1
	068163	UNIVERSAL DRIVE (540 RPM) .....	1		068165	U-JOINT W/SQ. SHAFT (540 RPM) ....	1
		CONSISTS OF:		07	095130	BEARING/NYLON .....	2
01	045327	KIT/CENTER CROSS .....	2	08	510093	PIN/SPRING .....	1
02	045877	YOKE .....	1	09	510100	RETAINER/BEARING .....	2
03	065247	YOKE/SLIDE LOCK (540 RPM) .....	1	10	510226	RING/RETAINING .....	1
	510233	YOKE/SLIDE LOCK (1000 RPM) .....	1	11	510227 <sub>a</sub>	COLLAR .....	1
04	065881	GUARD/ROTATING (1000 RPM) .....	1	12	510228 <sub>a</sub>	SPRING .....	1
	068166	GUARD/ROTATING (540 RPM) .....	1	13	510229 <sub>a</sub>	PAWL .....	2
05	065883	YOKE .....	1				

a) For repair order 095166.

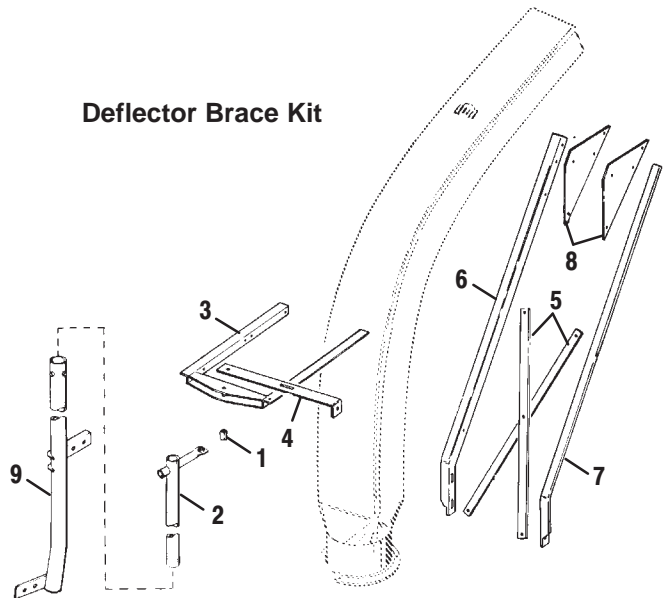
## Universal Joint w/Square Shaft



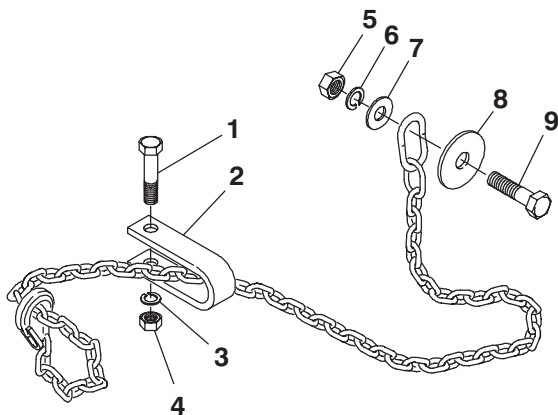
Ref. No.	Part No.	Description	Qty. Req.
	065869	UNIVERSAL JOINT W/SQ. SHAFT .	1
		CONSISTS OF:	
01	045327	KIT/CENTER CROSS .....	1
	570014	FITTING/GREASE .....	1
02	065871	YOKE .....	1
03	065872	YOKE W/SQUARE SHAFT .....	1

# FC7200 - OPTIONS & ACCESSORIES

Ref. No.	Part No.	Description	Qty. Req.
	800625	DEFLECTOR BRACE KIT .....	1
		CONSISTS OF:	
01	3E136	SPACER/DEFLECTOR PIVOT .....	1
02	H6180A	BRACE/DEFLECTOR PIVOT .....	1
03	H6203B	PIVOT/DEFLECTOR .....	1
	650488	CS 3/8X3/4 (HN, LW) .....	4
	650502	CS 1/2X2-1/4 (HN, LW) .....	1
04	052518	BRACKET/PULLEY .....	1
	650486	CS 5/16X3/4 (HN, LW, FW) .....	1
05	055518	TIE/DEFLECTOR .....	2
	650486	CS 5/16X3/4 (HN, LW, FW) .....	5
06	055519	STRUT/DEFLECTOR - LT .....	1
	650488	CS 3/8X3/4 (HN, LW, 2 FW) .....	3
07	055520	STRUT/DEFLECTOR - RT .....	1
	650488	CS 3/8X3/4 (HN, LW, 2 FW) .....	3
08	055521	PLATE/EXTENSION .....	2
	650488	CS 3/8X3/4 (HN, LW) .....	8
09	055630	SUPPORT/DEFLECTOR - LOWER ....	1
	650256	SQHSS 5/8X1-1/4 (JN) .....	4
	650495	CS 1/2X1-1/4 (HN, LW) .....	2
	650527	CB1/2X1-1/4 (HN, LW) .....	3



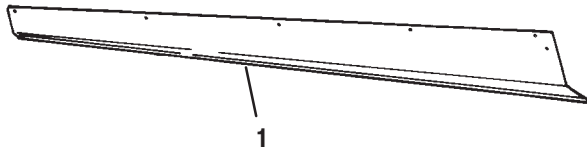
## Safety Chain



Ref. No.	Part No.	Description	Qty. Req.
	142965	CHAIN/SAFETY TOW 5 TON .....	1
		CONSISTS OF:	
01	650695	CS 5/8X3-1/2 .....	1
02	080894	CLEVIS .....	1
03	654032	LW 5/8 .....	1
04	653021	N 5/8 .....	1
05	653026	N 3/4 .....	1
06	654034	LW 3/4 .....	1
07	654014	FW 3/4 .....	1
08	069076	FW 25/32 .....	1
09	650172	CS 3/4X3-1/4 .....	1

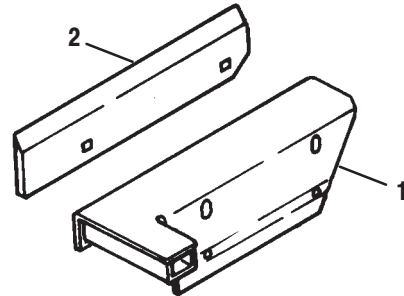
# FC7200 - OPTIONS & ACCESSORIES

## Trough Deflector Kit



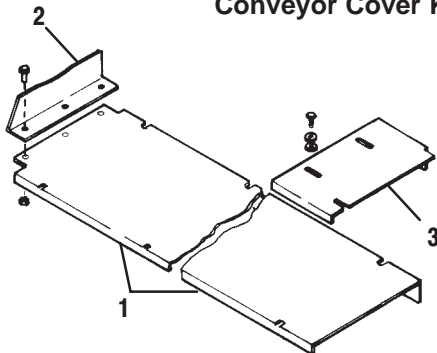
Ref. No.	Part No.	Description	Qty. Req.
01	R13269	DEFLECTOR/TROUGH .....	1
	650314	PTHMS 3/8X1 (HN, LW, FW) .....	6

## 3-Knife & Fan Kit



Ref. No.	Part No.	Description	Qty. Req.
	810006	3-KNIFE & FAN KIT .....	1
		CONSISTS OF:	
01	R13153	FAN/BLOWER .....	1
	650258	SQHSS 3/4X1-1/4 .....	6
	650534	CS 7/16X2 (HN, LW, FW) .....	6
02	R13270	SET/KNIFE (3 R13146 KNIVES) ....	1
	652121	PB 5/8X5-1/2 (HN, JN) .....	6

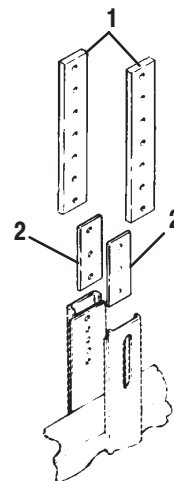
## Conveyor Cover Kit



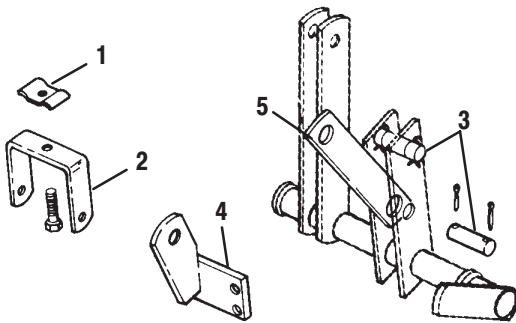
Ref. No.	Part No.	Description	Qty. Req.
	800626	CONVEYOR COVER KIT .....	1
		CONSISTS OF:	
01	R13229	COVER/BLOWER SIDE .....	1
	650301	PTHMS 5/16X1/2 (HN, LW) .....	3
02	R13231	EXTENSION/COVER .....	1
	650486	CS 5/16X3/4 (LW, FW) .....	2
03	055620	COVER/CONVEYOR .....	1

## PTO High Pedestal Kit

Ref. No.	Part No.	Description	Qty. Req.
	061335	PTO HIGH PEDESTAL KIT .....	1
		CONSISTS OF:	
01	061336	EXTENSION/PEDESTAL .....	2
	650491	CS 3/8X1-1/4 (6 LN, 12 LW) .....	12
02	061337	SPACER .....	2

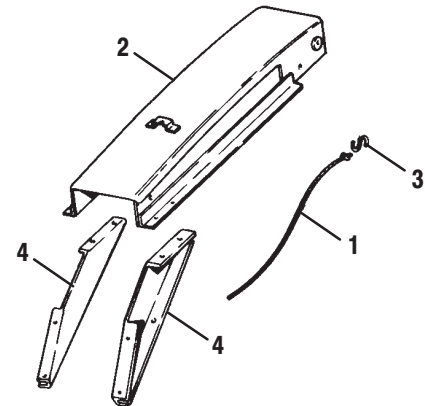


Hydraulic Lift Kit



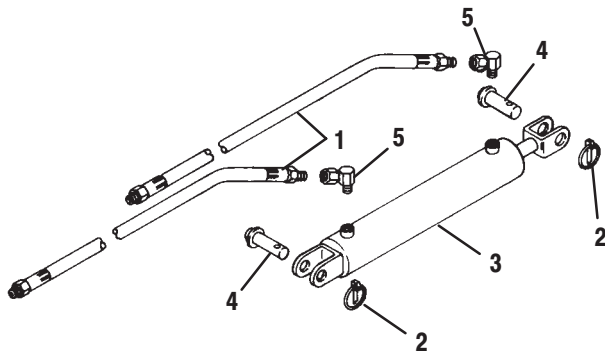
Ref. No.	Part No.	Description	Qty. Req.
	810004	HYDRAULIC LIFT KIT .....	1
CONSISTS OF:			
01	H6094	CLAMP/HOSE .....	1
	650453	CS 1/2X1-1/2 (LN) .....	1
02	R13060	BASE/HOSE CLAMP .....	1
03	R13076A	PIN/CYLINDER PIVOT .....	2
	655022	CP3/16X1-3/4 .....	4
04	R13212	PIVOT/CYLINDER FRONT .....	1
	650453	CS 1/2X1-1/2 (HN, LW) .....	4
05	R13213	PIVOT/CYLINDER REAR .....	1

3-Ft. Horizontal Deflector Extension



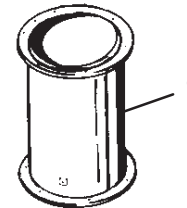
Ref. No.	Part No.	Description	Qty. Req.
	800270	3-FT HORIZ DEFLECTOR EXTEN .	1
CONSISTS OF:			
01	H6080B	CORD/DEFLECTOR CONTROL ...	1
02	H6095C	EXTENSION/DEFLECTOR .....	1
	650494	CS 1/2X1 (HN, LW) .....	2
03	B11433A	S-HOOK .....	1
04	046789	GUSSET/EXTENSION .....	2
	650486	CS 5/16X3/4 (HN, LW) .....	8

Hydraulic Cylinder & Hose Kit



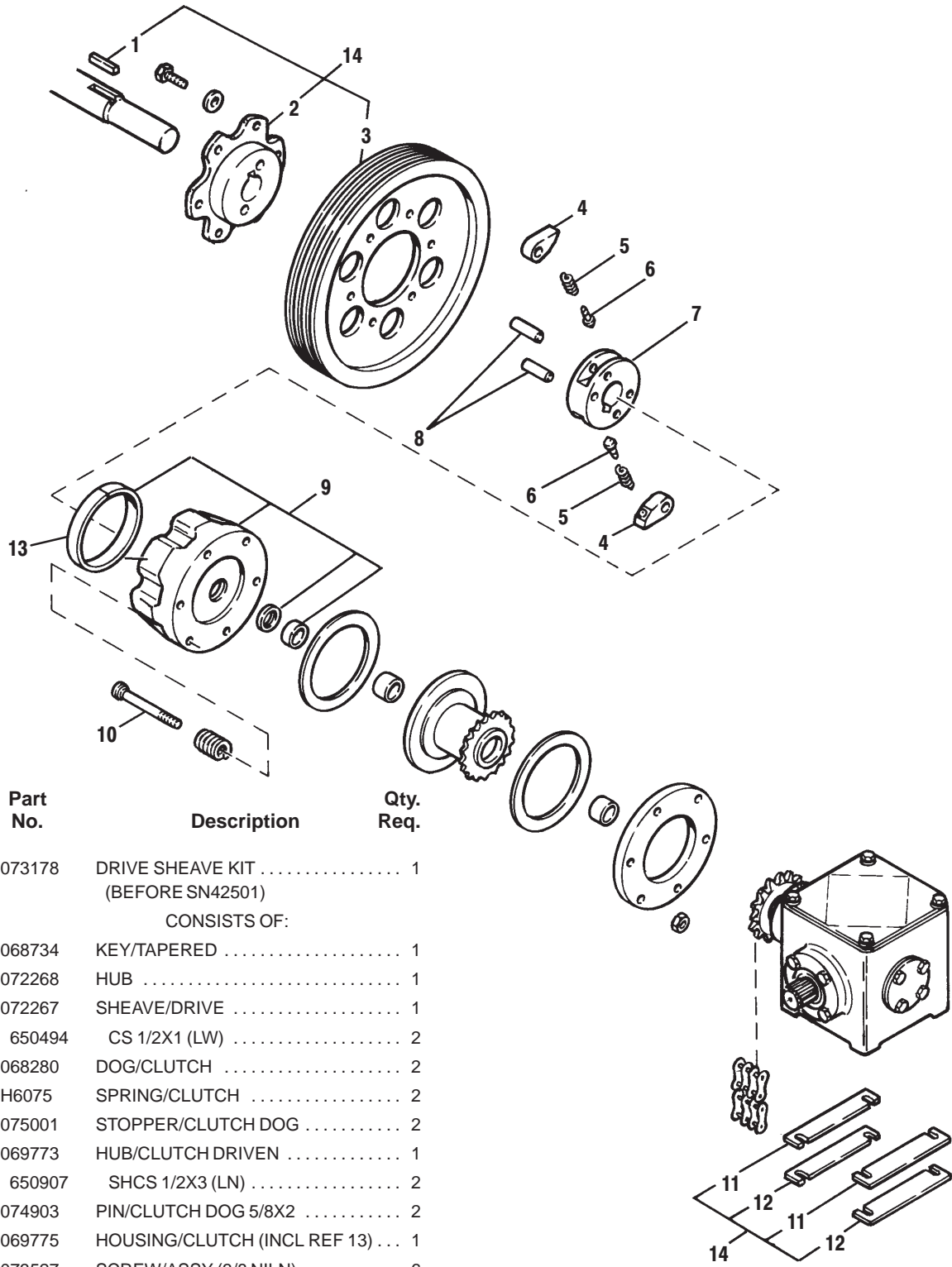
Ref. No.	Part No.	Description	Qty. Req.
	801521	HYDRAULIC CYL & HOSE KIT ....	1
CONSISTS OF:			
01	059539	HOSE .....	2
02	060471	PIN/KLIK .....	2
03	060626	CYLINDER/HYDRAULIC .....	1
04	060629	PIN/ATTACHMENT .....	2
05	580055	ELBOW/HYD FITTING 45° .....	2

1-Ft. Vertical Deflector Extension



Ref. No.	Part No.	Description	Qty. Req.
	800012	1-FT. VERT DEFLECTOR EXTEN ..	1
CONSISTS OF:			
01	H6061A	EXTENSION/DEFLECTOR .....	1
	570002	FITTING/GREASE .....	1
	650491	CS 3/8X1-1/4 (HN, LW) .....	6

# FC7200 - SERVICE KITS



Ref. No.	Part No.	Description	Qty. Req.
	073178	DRIVE SHEAVE KIT .....	1
		(BEFORE SN42501)	
		CONSISTS OF:	
01	068734	KEY/TAPERED .....	1
02	072268	HUB .....	1
03	072267	SHEAVE/DRIVE .....	1
	650494	CS 1/2X1 (LW) .....	2
04	068280	DOG/CLUTCH .....	2
05	H6075	SPRING/CLUTCH .....	2
06	075001	STOPPER/CLUTCH DOG .....	2
07	069773	HUB/CLUTCH DRIVEN .....	1
	650907	SHCS 1/2X3 (LN) .....	2
08	074903	PIN/CLUTCH DOG 5/8X2 .....	2
09	069775	HOUSING/CLUTCH (INCL REF 13) ...	1
10	073527	SCREW/ASSY (3/8 NILN) .....	6
11	041883	SHIM 0.060 .....	2
12	069170	SHIM 0.036 .....	2
13	069776	BUSHING/BRONZE SPLIT .....	1
14	072266	KIT/DRIVE SHEAVE .....	1
		(AFTER SN42500)	

**FC7200 - SERVICE KITS**

Ref. No.	Part No.	Description	Qty. Req.	Ref. No.	Part No.	Description	Qty. Req.
	073177	CLUTCH HOUSING KIT ..... 1 (BEFORE SN42501)			073176	CLUTCH DRIVEN KIT ..... 1 (BEFORE SN42501)	
		CONSISTS OF:				CONSISTS OF:	
04	068280	DOG/CLUTCH ..... 2		04	068280	DOG/CLUTCH ..... 2	
05	H6075	SPRING/CLUTCH ..... 2		05	H6075	SPRING/CLUTCH ..... 2	
06	075001	STOPPER/CLUTCH DOG ..... 2		06	075001	STOPPER/CLUTCH DOG ..... 2	
07	069773	HUB/CLUTCH DRIVEN ..... 1		07	069773	HUB/CLUTCH DRIVEN ..... 1	
	650907	SHCS 1/2X3 (LN) ..... 2			650907	SHCS 1/2X3 (LN) ..... 2	
08	062667	PIN/CLUTCH DOG 5/8X1-1/2 ..... 2		08	062667	PIN/CLUTCH DOG 5/8X1-1/2 ..... 2	
09	069775	HOUSING/CLUTCH (INCL REF 13) . 1		10	073527	SCREW/ASSY (3/8 NILN) ..... 6	
10	073527	SCREW/ASSY (3/8 NILN) ..... 6					
13	069776	BUSHING/BRONZE SPLIT ..... 1					

**Table of Kits & Common Components**

Components		Kits (X indicates components provided within)			
Part No.	Description	072266 2-Piece Sheave Kit	073178 Drive Sheave Kit	073177 Clutch Housing Kit	073176 Clutch Driven Kit
072267	Drive Sheave	X	X	—	—
072268	Hub	X	X	—	—
650494	Six 1/2 x 1 HHCS	X	X	—	—
654030	Six 1/2 LW	X	X	—	—
068734	3/8 x 2 Machine Key	X	X	—	—
041883	Two 0.060 Shims	X	X	—	—
069170	Two 0.036 Shims	X	X	—	—
H6075	Two Clutch Springs	—	X	X	X
068280	Two Clutch Dogs	—	X	X	X
074903	Two 5/8 x 2 Dog Pins	—	X	—	—
062667	Two 5/8 x 1-1/2 Dog Pins	—	—	X	X
069773	Clutch Driven Hub	—	X	X	X
069775	Clutch Housing	—	X	X	—
071706	Two 1/2 HLN	—	X	X	X
650907	Two 1/2 x 3 SHCS	—	X	X	X
073527	Six Screw Assemblies	—	X	X	X
067847	Six 3/8 NILN	—	X	X	X
075001	Two Clutch Dog Stoppers	—	X	X	X

# Index

## A

Axles, 4–5

## B

Blower-Cutter, 10–11

## C

Conveyor, 8–9

Cylinder, 8–9

## D

Decal Application, 2

Decal Locations, 2–4

Deflector, 12

Cap, 12

Controls, 12

Drives

Blower-Cutter, 10–11

Conveyor, 8–9

PTO, 6–7

## F

Frame, 4–5

## H

Hitchjack

Fulton, 14, 30

Hammerblow, 15, 29

Wesbar, 15, 29

## L

Lift Control, 4–5

## O

Options & Accessories

1-ft. Vertical Deflector

Extension, 19

3-ft. Horizontal Deflector

Extension, 19

3-Knife & Fan Kit, 18

Conveyor Cover Kit, 18

Deflector Brace Kit, 17

Hydraulic Cylinder & Hose Kit,  
19

Hydraulic Lift Kit, 19

PTO High Pedestal Kit, 18

Safety Chain, 17

Trough Deflector Kit, 18

## P

PTO, 6–7

## S

Service Kits

Drive Sheave, 20–21

Overrunning Clutch, 20–21

## T

Transmissions, 13

## U

Universal Drives, 16



# FC7200 - NUMERICAL INDEX

Part No.	Page No.	Ref. No.	Part No.	Page No.	Ref. No.	Part No.	Page No.	Ref. No.	Part No.	Page No.	Ref. No.
3E136	17	01	R13005B	13	03	R13212	19	04	052500	12	19
A162	07	01	R13006A	13	04	R13213	19	05	052501	12	20
A162	12	01	R13013B	05	02	R13214A	05	13	052502	12	21
9H253	07	02	R13016A	05	03	R13216	11	18	052503	12	22
9H253	12	02	R13017B	05	04	R13216A	11	19	052506	12	23
17H386	12	03	R13018	05	05	R13217	11	20	052507	12	24
D3019	08	01	R13019A	05	06	R13220	09	18	052510	12	25
D3019	11	01	R13022C	08	07	R13229	18	01	052513	12	26
D3020	08	02	R13023C	08	08	R13231	18	02	052515	12	27
D3020	11	02	R13055	08	09	R13244	07	18	052518	17	04
D3021	08	03	R13058	05	07	R13245	07	19	052593	12	28
D3021	11	03	R13060	19	02	R13247	07	20	052595	12	29
D3022A	08	04	R13062	08	10	R13252	11	21	052596	11	25
D3022A	11	04	R13062	11	09	R13263C	09	19	053373	02	01
D3022B	08	05	R13063C	12	07	R13268	12	11	053392	09	26
D3022B	11	05	R13076A	19	03	R13269	18	01	053934	12	30
D3024	08	06	R13077B	13	05	R13270	18	02	054107	12	31
D3024	11	06	R13078B	13	06	C14070	09	20	054110	12	32
H6013B	11	07	R13079B	13	07	C14106	05	14	054113	12	33
H6031	07	03	R13086B	12	08	021618	05	01	054155	13	10
H6032	07	04	R13112	07	15	040602	12	12	054462	05	20
H6035	07	05	R13118	12	09	040775	12	13	055341	07	22
H6040A	07	06	R13119	12	10	041045	09	21	055342	07	23
H6043B	07	07	R13146	11	10	041046	09	22	055506	12	34
H6046	07	08	R13147	11	11	041182	05	15	055516	12	35
H6053A	12	04	R13151	11	12	041182	13	08	055517	12	36
H6061A	19	01	R13152	11	13	041883	05	16	055518	17	05
H6075	07	09	R13153	11	14	041883	20	11	055519	17	06
H6075	20	05	R13153	18	01	042019	05	17	055520	17	07
H6075	21	05	R13156	11	15	042205	09	23	055521	17	08
H6077	07	10	R13163	11	16	042694	11	22	055590	11	26
H6080B	19	01	R13164	11	17	042696	11	23	055594	09	27
H6095C	19	02	R13166A	08	11	043192	12	14	055600	09	28
H6094	19	01	R13167A	08	12	043756	09	24	055601	09	29
H6149	07	11	R13168	08	13	045327	16	01	055604	09	30
H6180A	17	02	R13174	05	08	045581	05	18	055606	09	31
H6198	07	12	R13176	05	09	045877	16	02	055607	09	32
H6219	07	13	R13178	05	10	046789	19	04	055608	09	33
H6203B	17	03	R13179	05	11	047028	12	15	055609	09	34
H6221	12	05	R13170	07	16	047269	11	24	055617	09	35
U10102	07	14	R13173A	07	17	047894	05	19	055618	09	36
B11189	13	01	R13190	08	14	049061	12	16	055619	12	37
B11433A	12	06	R13193	09	15	050079	13	09	055620	18	03
B11433A	19	03	R13194	09	16	050872	07	21	055622	09	37
M12141	11	08	R13196	09	17	052125	12	17	055624	09	38
R13000C	13	02	R13200A	05	12	052497	12	18	055625	09	39
									055629	09	40

# FC7200 - NUMERICAL INDEX

Part No.	Page No.	Ref. No.	Part No.	Page No.	Ref. No.	Part No.	Page No.	Ref. No.	Part No.	Page No.	Ref. No.
055630	17	09	060452	09	50	065872	16	03	068734	11	48
055682	15	04	060471	19	02	065876	11	43	068734	18	01
055690	11	27	060589	02	02	065877	07	46	068740	11	49
055691	11	28	060626	19	03	065878	13	20	069076	17	08
055692	11	29	060629	19	04	065879	07	47	069170	05	38
055700	12	38	060979	07	29	065879	16		069170	20	12
055813	11	30	060983	13	18	065881	16	04	069773	20	07
056193	09	41	060988	02	03	065882	16	06	069773	21	07
056336	12	39	061006	07	30	065883	16	05	069775	20	09
056982	09	42	061019	07	31	065996	05	33	069775	21	09
057649	09	43	061204	02	04	065999	07	48	069776	20	13
057864	05	21	061205	02	05	066000	07	49	069776	21	13
058539	12	40	061276	15	04	066005	07	50	071117	15	
058592	09	44	061334	13	19	066006	11	44	071271	15	05
059272	09	45	061335	18		066014	11	45	072266	20	14
059539	19	01	061336	18	01	066020	07	51	072267	18	03
059708	05	22	061337	18	02	066020	13		072268	18	02
060084	13	11	061341	15	02	066021	13	21	073176	21	
060086	13	12	061342	15	03	066024	13	22	073177	21	
060093	11	31	061688	09	51	066557	05	34	073178	20	
060095	11	32	061843	11	37	066559	05	35	073527	20	10
060097	07	25	061845	11	38	067517	09	54	073527	21	10
060099	09	46	061848	11	39	067534	07	52	074903	18	08
060100	13	13	061937	11	40	067847	07	53	075001	20	06
060101	13	14	062284	09	52	068141	05	36	075001	21	06
060102	13	15	062667	07	35	068145	09	55	079866	15	03
060104	13	16	062667	21	08	068150	07	54	079867	15	01
060105	05	23	062749	07	36	068153	07	55	079868	15	02
060106	05	24	063605	09	53	068155	05	37	079878	09	25
060107	05	25	065247	16	03	068157	09	56	080894	17	02
060109	11	33	065294	07	37	068158	11	46	089281	02	08
060122	11	34	065300	07	38	068159	11	47	091444	02	09
060398	09	47	065304	05	31	068160	07	56	093020	02	10
060409	11	35	065305	05	32	068161	07	57	093365	02	11
060413	05	26	065306	07	39	068162	02	07	093367	02	12
060415	05	27	065308	07	40	068163	07	47	093373	02	13
060418	05	28	065624	11	41	068163	16		093378	02	14
060423	09	48	065671	11	42	068165	16	06	093465	02	15
060425	05	29	065827	02	06	068166	16	04	093466	02	15
060426	05	30	065864	07	41	068167	07	51	094300	15	05
060431	13	17	065866	07	42	068187	13		095130	16	07
060434	07	26	065867	07	43	068280	07	58	142965	17	
060437	07	27	065868	07	44	068280	20	04	143007	02	16
060441	07	28	065869	07	45	068280	21	04	143469	14	
060444	09	49	065869	16		068386	07	59	143599	14	03
060449	11	36	065871	16	02	068728	09	57	143601	14	02
									143603	14	04

## FC7200 - NUMERICAL INDEX

Part No.	Page No.	Ref. No.	Part No.	Page No.	Ref. No.	Part No.	Page No.	Ref. No.	Part No.	Page No.	Ref. No.
500041	09	58	520055	05	43	520200	05	46	653021	17	04
510093	16	08	520062	11	50	520215	05	47	653026	17	05
510100	16	09	520084	11	51	520215	13	23	654032	17	03
510226	16	10	520092	09	59	530009	05	48	654014	17	07
510227	16	11	520092	11	52	540006	07	61	654034	17	06
510228	16	12	520093	09	60	550004	05	49	800012	19	
510229	16	13	520093	11	53	550020	05	50	800270	19	
510233	16	03	520098	11	54	550035	05	51	800625	17	
520007	05	39	520099	11	55	550041	05	52	800626	18	
520021	05	40	520119	07	60	580055	19	05	801521	19	
520022	05	41	520164	05	44	650172	17	09	810004	19	
520054	05	42	520199	05	45	650695	17	01	810006	18	

**FC7200 - NUMERICAL INDEX**

---

---

Part No.	Page No.	Ref. No.	Part No.	Page No.	Ref. No.	Part No.	Page No.	Ref. No.	Part No.	Page No.	Ref. No.
----------	----------	----------	----------	----------	----------	----------	----------	----------	----------	----------	----------







---

**Intentionally Blank**

# TORQUE SPECIFICATIONS

**NOTE:** Use these torque values when tightening **GEHL** hardware (excluding: Locknuts and Self-tapping, Thread Forming and Sheet Metal Screws) unless specified otherwise.

All torque values are in Lb-Ft except those marked with an \* which are Lb-In  
(For metric torque value Nm, multiply Lb-Ft value by 1.355 or Lb-In value by 0.113)

Unified National Thread	Grade 2 		Grade 5 		Grade 8 	
	Dry	Lubed	Dry	Lubed	Dry	Lubed
8-32 8-36	19* 20*	14* 15*	30* 31*	22* 23*	41* 43*	31* 32*
10-24 10-32	27* 31*	21* 23*	43* 49*	32* 36*	60* 68*	45* 51*
1/4-20 1/4-28	66* 76*	50* 56*	9 10	75* 86*	12 14	9 10
5/16-18 5/16-24	11 12	9	17 19	13 14	25	18 20
3/8-16 3/8-24	20 23	15 17	30 35	23 25	45 50	35
7/16-14 7/16-20	32 36	24 27	50 55	35 40	70 80	55 60
1/2-13 1/2-20	50 55	35 40	75 90	55 65	110 120	80 90
9/16-12 9/16-18	70 80	55 60	110 120	80 90	150 170	110 130
5/8-11 5/8-18	100 110	75 85	150 180	110 130	220 240	170 180
3/4-10 3/4-16	175 200	130 150	260 300	200 220	380 420	280 320
7/8-9 7/8-14	170 180	125 140	430 470	320 360	600 660	460 500
1-8 1-14	250 270	190 210	640 710	480 530	900 1000	680 740
Metric Course Thread	Grade 8.8 		Grade 10.9 		Grade 12.9 	
	Dry	Lubed	Dry	Lubed	Dry	Lubed
M6-1	8	6	11	8	13.5	10
M8-1.25	19	14	27	20	32.5	24
M10-1.5	37.5	28	53	39	64	47
M12-1.75	65	48	91.5	67.5	111.5	82
M14-2	103.5	76.5	145.5	108	176.5	131
M16-2	158.5	117.5	223.5	165.5	271	200

**GEHL**®

**Gehl Company** 143 Water Street, P.O. Box 179, West Bend, WI 53095-0179, U.S.A.