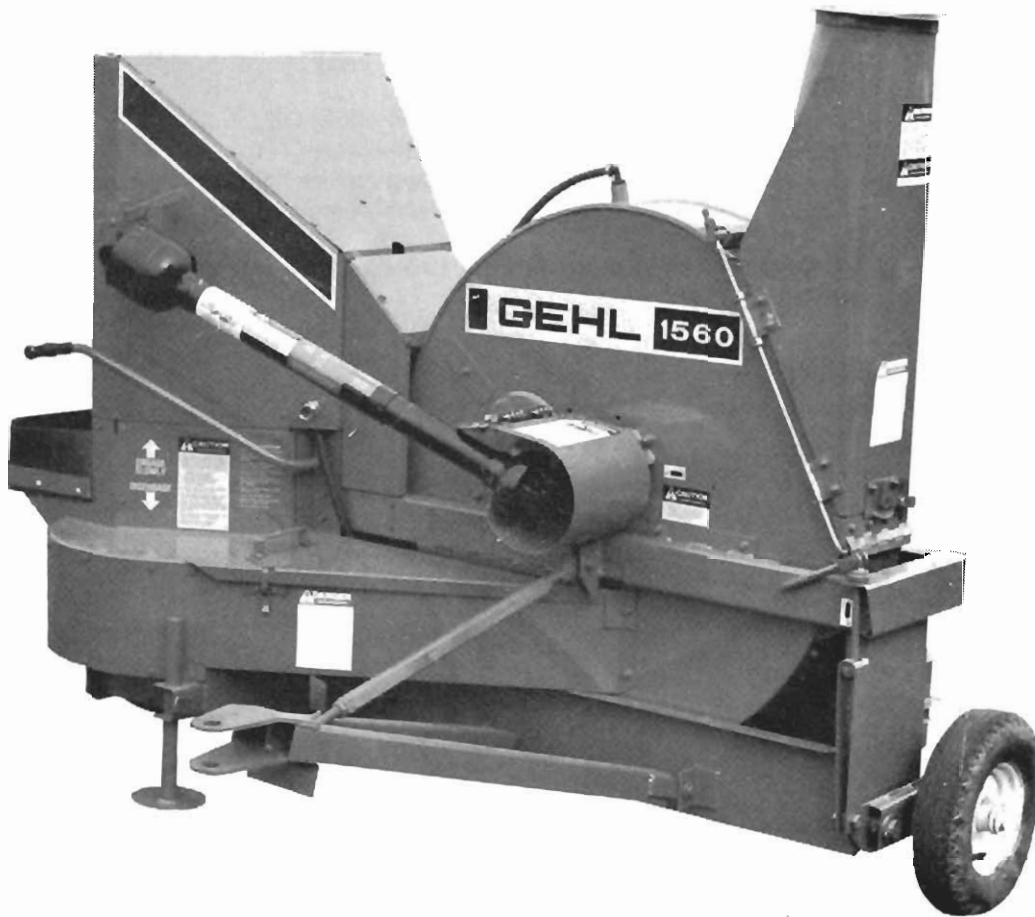


1560

Forage Blower



SERVICE PARTS MANUAL

Form No.
903959

GEHL[®] COMPANY

Introduction:

When ordering service parts, specify the correct part number, full description, quantity required, the unit model number and serial number.

Numbers for this unit are stamped on a plate located on the Left side of the Rear Main Frame adjacent to the Rotor Drive Sheave.

“Right” and “Left” are determined from a position standing behind the unit and facing the tractor. From this position the Blower Outlet would then be on the “Left” side.

GEHL: Company reserves the right to make changes or improvements in the design or construction of any part of the unit without incurring the obligation to install such changes on any unit previously delivered.

Grease fittings and common attaching hardware, such as Cotter Pins, Set Screws, Woodruff Keys, Screws, Nuts, etc., are included in the parts list, indented below the part it is (they are) associated with, but **NOT** illustrated, except where a particular routing or special fastening arrangement **MUST** be maintained. The hardware listed is for mounting purposes and is **NOT** included when the part is ordered for replacement. Refer to the abbreviations table for the various fastener descriptions. For the part number of common hardware, refer to the Attaching Hardware Table located on the Inside Back Cover. Standard hardware torque values are also provided on the same page.

Unless otherwise specified, all Cap Screws or Bolts are Grade 5, cadmium or zinc plated; Hexagon Nuts for Grade 5 Cap Screws or Bolts are Grade B; Hexagon Nuts for other Cap Screws or Bolts are Grade A.

The following abbreviations are used in this manual:

CB	- Carriage Bolt
CS	- Cap Screw (Hexagon Head)
FHSCS	- Flat Head Socket (Head) Cap Screw
HTB	- Hexagon Tap Bolt
PB	- Plow Bolt
RHSMS	- Round Head Sheet Metal Screw
SHSS	- Socket Head Set Screw
SQHSS	- Square Head Set Screw
TFS	- Thread-forming Screw
THMS	- Truss-head Machine Screw
JN	- Jam Nut (Hexagon)
LN	- Lock Nut (Hexagon)
N	- Nut (Hexagon)
WN	- Wing Nut
L (LW)	- Lock (Washer)
P (PW)	- Plain (Washer)
Ft	- Foot (Feet)
Pt	- Point
PTO	- Power Take Off
SL	- Self-locking
SMV	- Slow-moving Vehicle
SN	- Serial Number or Slotted Nut
T	- Tooth
w/Sq.	- with Square

TABLE OF CONTENTS

	Page
Introduction	Inside Front Cover
Table of Contents	1
Decal Locations	2-3
Saddle, Frame, Drawbar & Axles	4-5
Fan Assembly, Housing & Outlet	6-7
Spinner Drive	8-9
Spinner, Hopper & Hood	10-11
Spinner Emergency Shutoff Control	12
Telescoping Drive	13
Options & Accessories	14-16
Water Injection System	14
Small Grain Saver (Shield)	14
Right Tire Guard	15
Blower Pipes & Elbows	15
Flexible Hood w/Springs	16
Adjustable Deflector	16
Quick Clamp	16
Numerical Index	17-18
Standard Hardware Torque Specifications	Inside Back Cover
Attaching Hardware Table	Inside Back Cover

DECAL LOCATIONS

GENERAL INFORMATION

Decal Locations information is provided to assist in the proper selection and application of new decals, in the event the original decal(s) become damaged or the machine is repainted. Refer to the listing for the illustration reference number, part number, description and quantity of each decal provided in the Kit. Refer to the appropriate illustration(s) for replacement location(s).

To insure proper selection of the correct replacement decals, compare all of the various closeup location photographs to your machine, before starting to refinish the unit. Then, circle each pictured decal (on or otherwise applicable to your machine) while checking-off its part number in the listing. After you have verified all the decals needed for replacement, place any extra unnecessary decals aside for disposal.

NEW DECAL APPLICATION

Surfaces **MUST** be free from dirt, dust, grease and other foreign material before applying the new Decal. To apply, remove the smaller portion of the decal backing paper and apply this part of the exposed adhesive backing to the clean surface while maintaining proper position and alignment. Peel the other portion of the backing paper off slowly while applying hand pressure to smooth-out Decal surface.



CAUTION: ALWAYS observe Safety Rules shown on Decals. If Decals become damaged, or if the unit is repainted, replace the Decals. If repainting, BE SURE that ALL Decals from the Kit(s) which apply to your machine, are affixed to your unit.

The Decal Set Number for the FB1560 Forage Blower is 082472. The Set includes the following:

Ref. No.	Part Number	Description & Quantity
1	053823	Decal - Engage/Disengage (2 Places)
2	061187	Decal - Grease Fitting Symbol (9 Places)
3	061660	Decal - General Operation
4	067493	Red Reflector Strip (2 Places)
5	067886	Decal - Patent - Not Shown
6	072151	CAUTION - 1000 RPM Operation Only
7	072159	DANGER - Rotating Components (3 Places)
8	075684	CAUTION - Implement Hitchpin
9	075812	Decal - U-Joint Service
10	076375	Decal - Front Stripe
11	076376	Decal - Rear Stripe
12	076378	WARNING - Cutoff Knife
13	076379	Decal - Belt Tension
14	076686	Decal - Decorative GEHL (2 Places)
15	076692	Decal - Use Grade 5 Shear Bolts
16	076693	Decal - Grease Shear Flange
17	076783	WARNING - Do NOT Operate Without Baffle or Small Grain Shield Installed

- 18 076894 CAUTION -Owner's Responsibility & Read Manual
- 19 077682 CAUTION - General Safety Precautions
- 20 078025 Decal - Baffle Stop
- 21 080126 WARNING - Rotating Components
- 22 080127 DANGER - Rotating Components
- 23 082258 Decal - License -Not Shown (Replacement Not Necessary)
- 24 082565 1560 (2 Places)

NOTICE

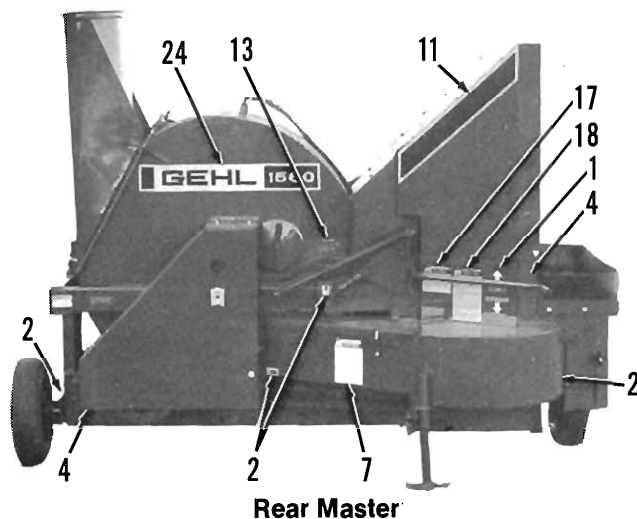
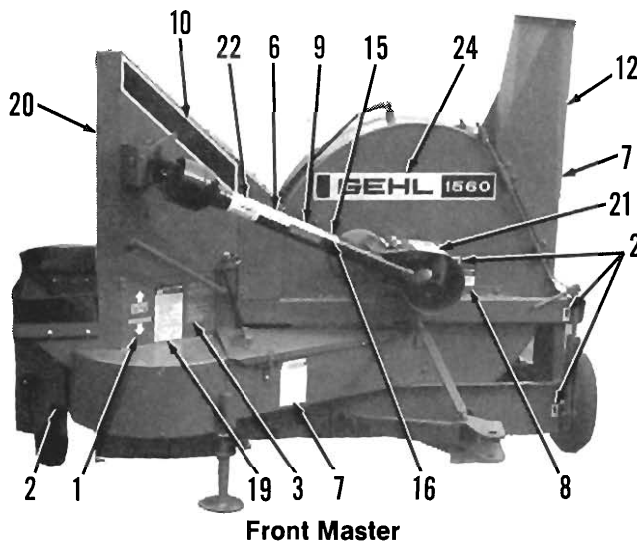
Order paint for refinishing machines from this list:

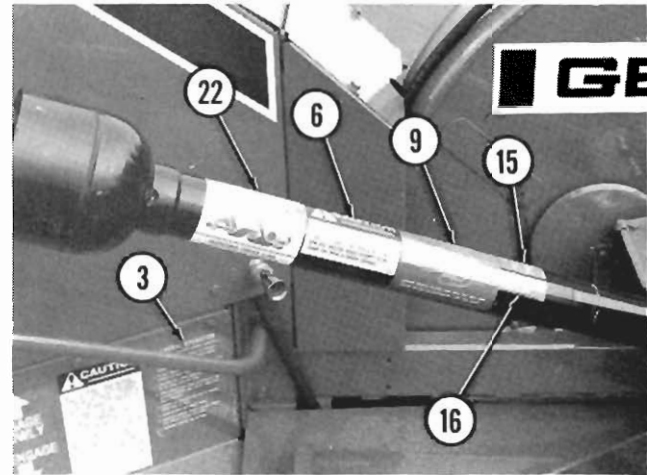
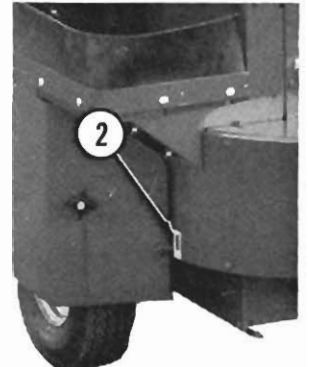
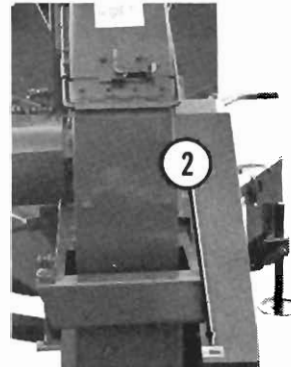
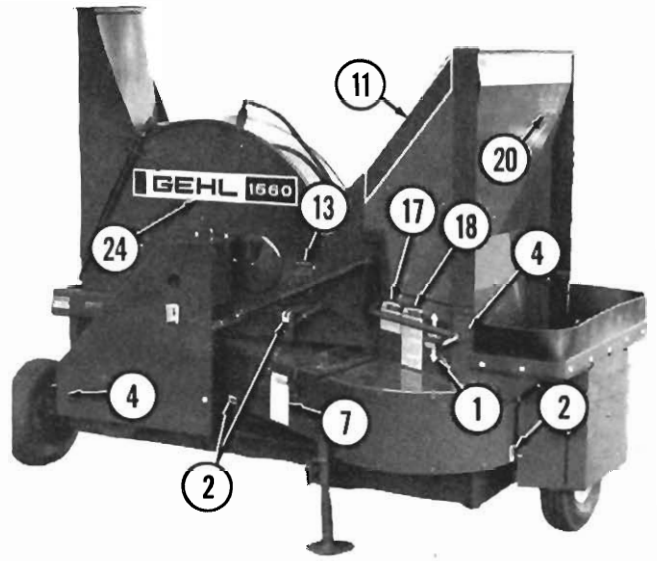
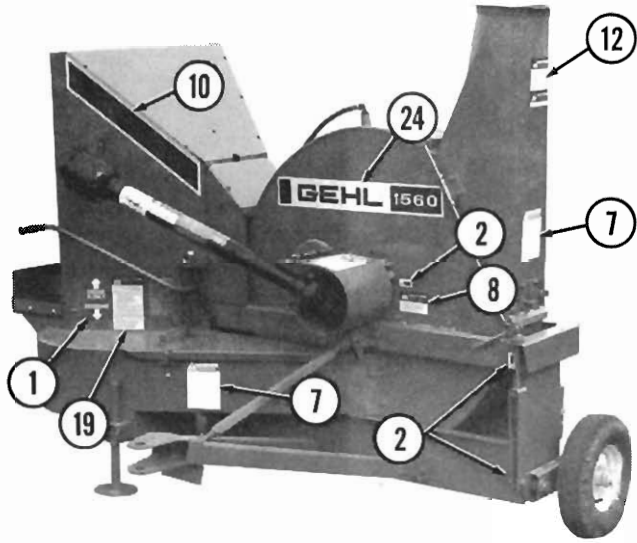
901225 One Gallon Blaze Paint

901226 One Gallon Maize Paint

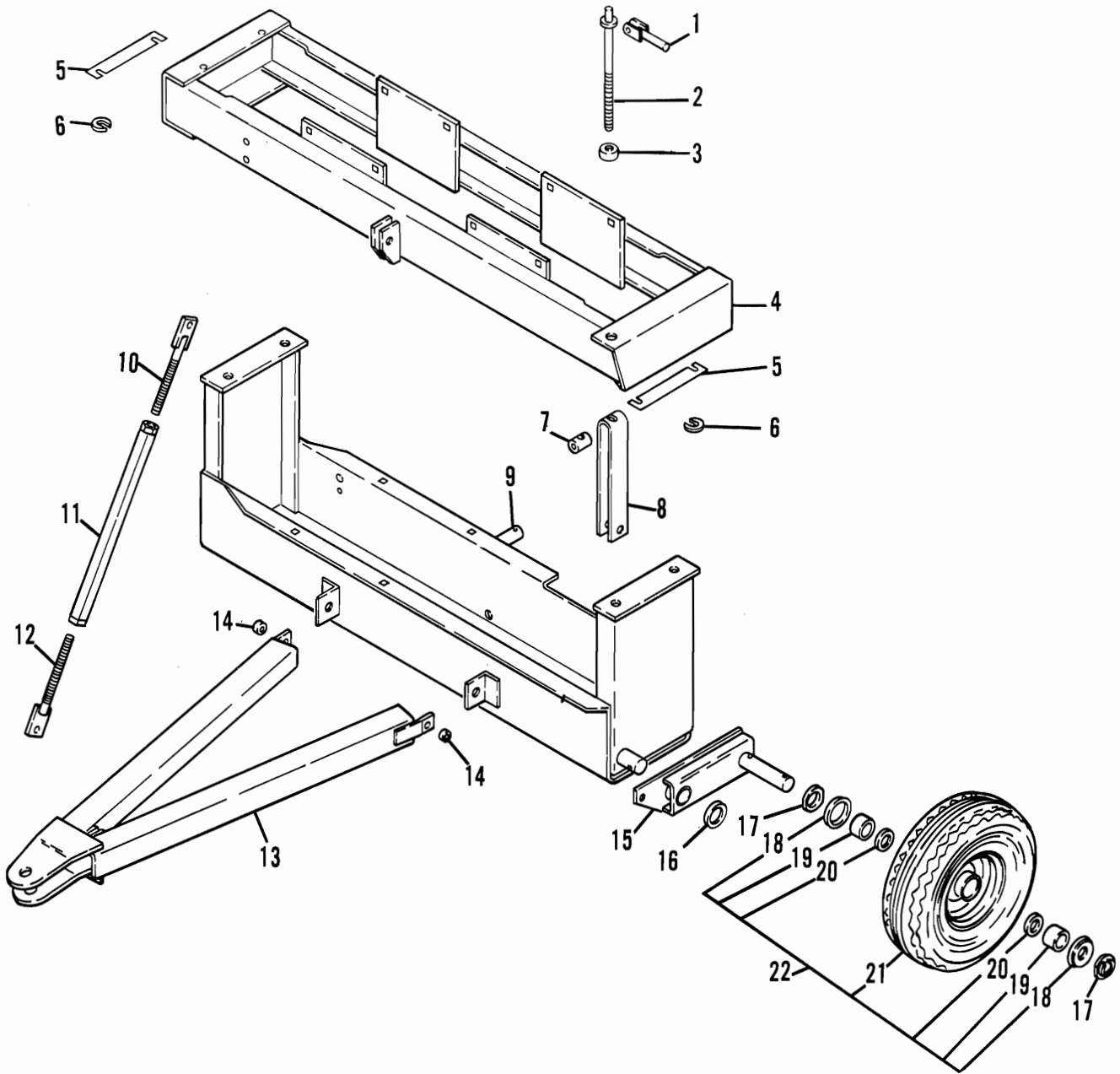
610239 6 (12 oz.) Cans Blaze Spray Paint

610240 6 (12 oz.) Cans Maize Spray Paint





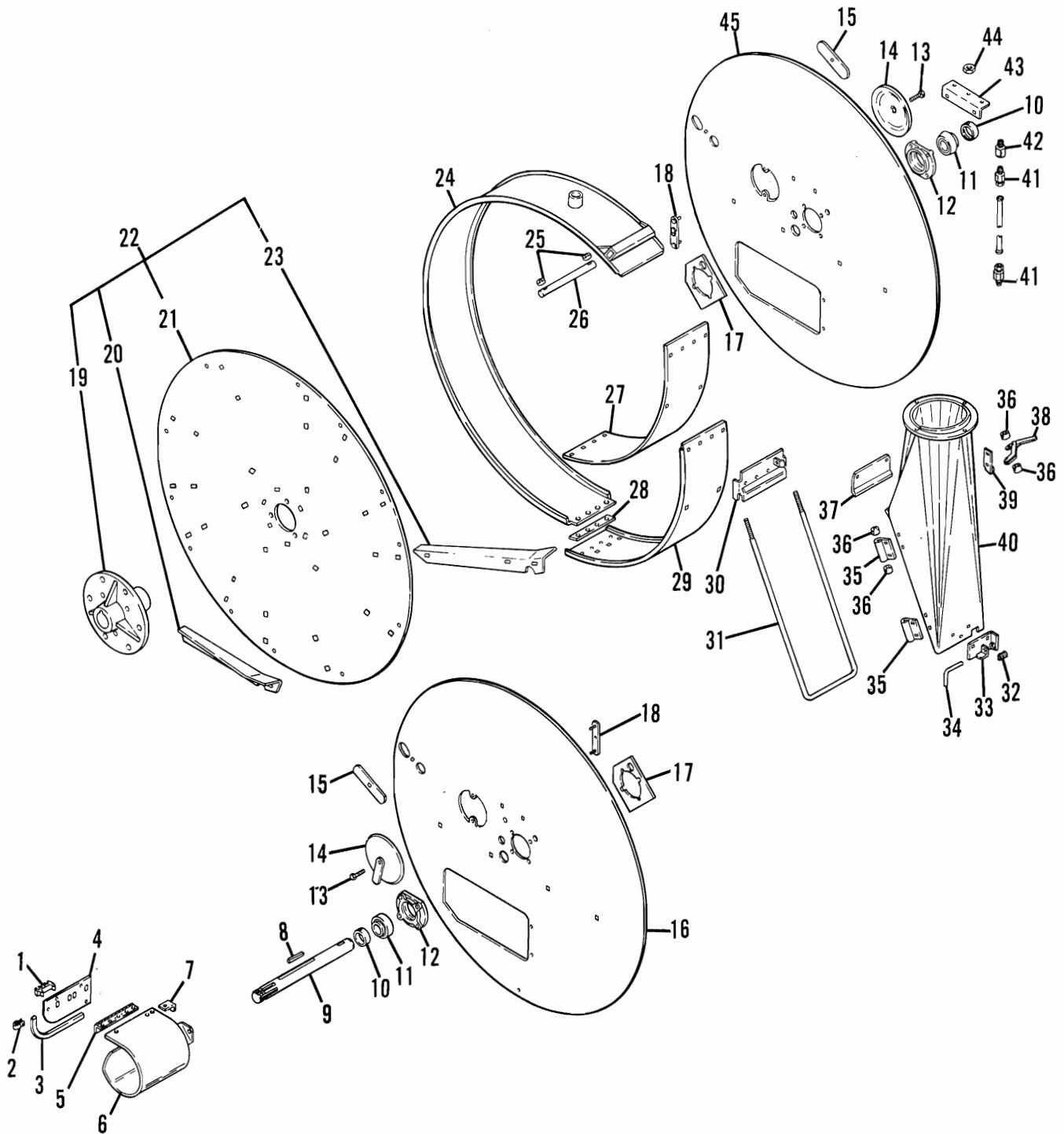
FB1560 - SADDLE, FRAME, DRAWBAR & AXLES



FB1560 - SADDLE, FRAME, DRAWBAR & AXLES

REF. NO.	PART NO.	PART NAME	NO. REQ.	REF. NO.	PART NO.	PART NAME	NO. REQ.
01	076488	HANDLE/ASSY.....	1	11	077535	TURNBUCKLE/ASSY.....	1
	650577	CS 5/16X1-1/2 (LN).....	1	12	077083	SCREW/RGT HAND ADJ ASSY... (1) 3/4JN	1
02	076486	ROD.....	1		650585	CS 1/2X2 (LN).....	1
03	520209	BEARING/THRUST.....	1	13	076281	DRAWBAR/ASSY.....	1
04	082524	SADDLE/ASSY.....	1		650569	CS 1/2X1-3/4 (LN,P).....	2
05	076303	SPACER.....	6	14	054543	SPACER.....	2
	650495	CS 1/2X1-1/4 (N,L,2P)....	4	15	076196	BRACKET/AXLE ASSY.....	1
06	042826	WASHER/SHIM.....	2		570021	FITTING/GREASE.....	1
07	076203	NUT.....	1	16	H 7119	WASHER.....	1
	570021	FITTING/GREASE.....	1	17	D 9151	WASHER/WHEEL.....	4
08	076202	LINK/LIFT.....	1		655029	PIN/COTTER 1/4X1-3/4.....	2
	650844	CS 5/8X1-3/4 (LN).....	1	18	550047	CAP/END.....	4
09	082490	FRAME/ASSY.....	1	19	550049	BEARING/ROLLER.....	4
	655020	PIN/COTTER 3/16X1-1/2....	1	20	550048	WASHER/STOP.....	4
	655030	PIN/COTTER 1/4X2.....	1	21	550046	WHEEL FOR 4.8X8 TUBELESS..	2
	655029	PIN/COTTER 1/4X1-3/4.....	2			TIRE	
10	077084	SCREW/LT HAND ADJ ASSY....	1	22	550052	WHEEL/ W/TIRE & TUBE.....	2
	650569	CS 1/2X1-3/4 (LN).....	1				

FB1560 - FAN ASSEMBLY, HOUSING & OUTLET



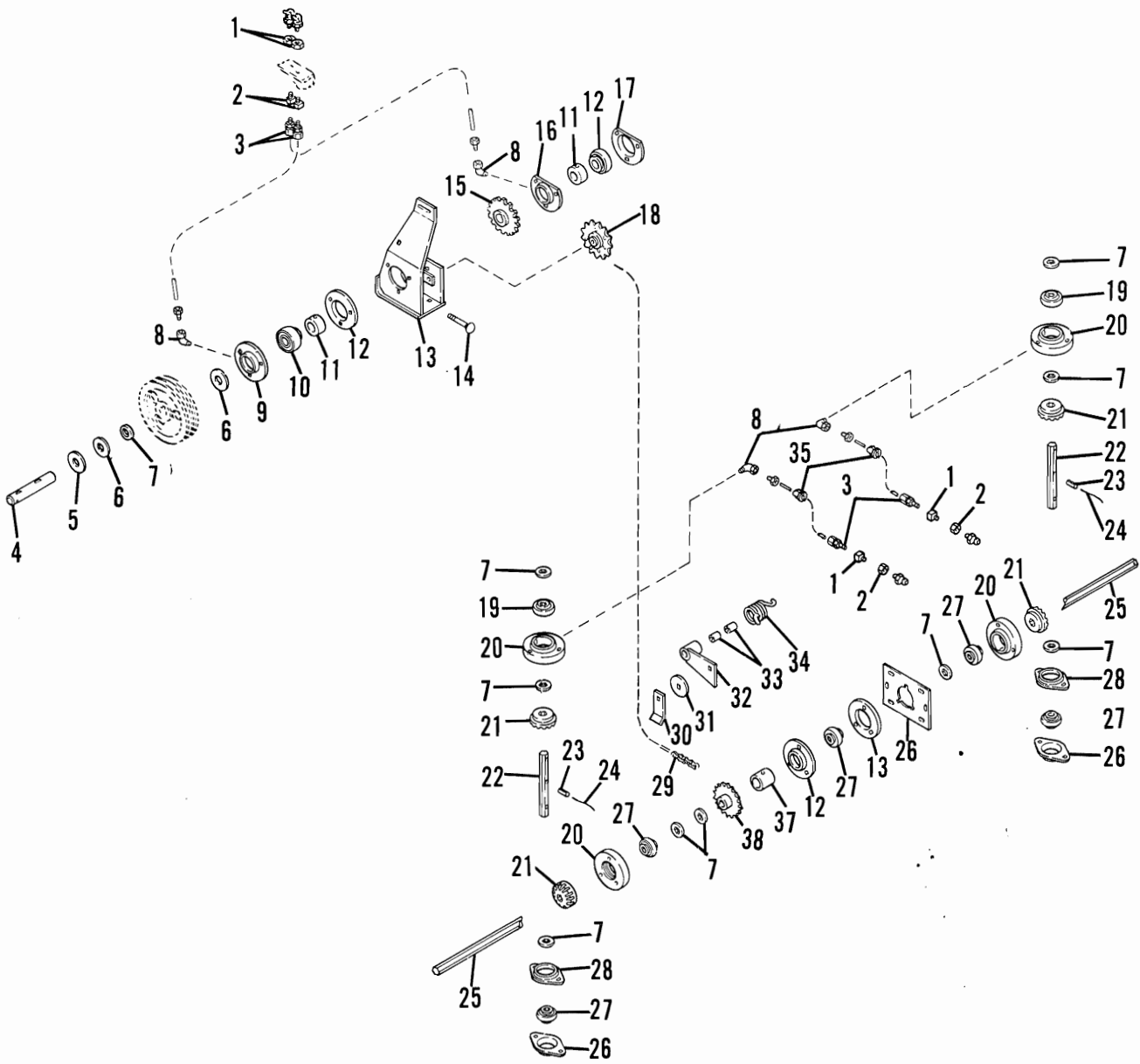
FB1560 - FAN ASSEMBLY, HOUSING & OUTLET

REF. NO.	PART NO.	PART NAME	NO. REQ.	REF. NO.	PART NO.	PART NAME	NO. REQ.
01	059272	HOLDER/SHEAR BOLT.....	2	27	082562a	PLATE/WEAR.....	1
02	075128	CLAMP/HOSE.....	2		652097	PB 5/16X3/4 (N,L,P).....	8
	650484	CS 5/16X1/2 (N,L).....	4	28	076350	SPACER.....	1
03	076329	TRIM.....	1		650436	FHSCS 5/16X3/4 (N,L).....	4
04	076328	COVER/GUARD.....	1	29	082561	SHEET/REMOVABLE RIM.....	1
05	H 8228	HINGE.....	1		650842	CB 5/8X1-1/2.....	24
	650484	CS 5/16X1/2 (N,L).....	2	30	076352	CLIP/U-BOLT ASSY.....	1
06	076324	GUARD/PTO ASSY.....	1		652097	PB 5/16X3/4 (N,L).....	4
07	076327	BRACKET/GUARD PTO.....	1	31	082551	U-BOLT.....	1
	650486	CS 5/16X3/4 (N,L).....	1			(2) 1/2N,L	
08	068744	KEY/TAPERED 7/16X5.....	1	32	H 6075	SPRING.....	1
09	082563	SHAFT/MAIN.....	1	33	076370	BRACKET/LATCH ASSY.....	1
	651021	SQSHSS-CP 1/2X1-1/2.....	1		650687	CB 5/16X3/4 (N,L,P).....	2
10	520195	COLLAR/BEARING.....	2	34	076373	PIN/RETAINER.....	1
11	053720	BEARING/BALL.....	2		650553	PIN/COTTER 1/8X3/4.....	1
12	076335	HOUSING/BEARING.....	2			-(1) 5/16 P	
	570004	FITTING/GREASE.....	1	35	082552	HINGE.....	2
13	076682	HTB 3/8X2 (N,L).....	2	36	076357	COLLAR.....	4
14	076435	DISC/VENT ASSY.....	2		651049	SHSS-CP 5/16X1/4.....	4
15	076332	COVER/ACCESS.....	2	37	076369	KNIFE/CUTOFF.....	1
	650687	CB 5/16X3/4 (N,L).....	2		650704	CB 3/8X1 (N,L,P).....	2
16	082541	SHEET/SIDE.....	2	38	076358	LATCH.....	1
	650704	CB 3/8X1 (N,L,P).....	8	39	083752	LATCH/BRACKET.....	1
	650494	CS 1/2X1 (N,L).....	3		650687	CB 5/16X3/4 (N,L,P).....	2
17	082546	HUB/DISC.....	1	40	082553	OUTLET/ASSY.....	1
	650764	CB 5/8X2 (N,L).....	8		650687	CB 5/16X3/4 (N,L,P).....	4
18	076510	SUPPORT/VENT ASSY.....	2	41	061845b	CONNECTOR/STRAIGHT TUBE...	2
		(4) 5/16N		42	061847	ADAPTER/STRAIGHT.....	1
19	082544	PLATE/BEARING.....	2		570008	FITTING/GREASE.....	1
20	082549	PADDLE/FRONT.....	8	43	082542	BRACKET/GUARD ASSY.....	1
21	082550	DISC/BLOWER.....	1		650687	CB 5/16X3/4 (N,L).....	2
22	082545	FAN/ASSY.....	1	44	061848	NUT/BULKHEAD ADAPTER.....	1
23	082548	PADDLE/REAR.....	8				
	650842	CB 5/8X1-1/2.....	24				
24	082559	RIM/ASSY.....	1				
25	058357	WASHER.....	2				
		(2) 1/2N,L					
26	076356	PIN.....	1				

a) FOR REPLACEMENT, ORDER KIT 082473 WHICH CONTAINS WEARPLATE & ATTACHING HARDWARE.

b) FOR GREASE LINE REPAIR, ORDER TUBING KIT 065185 065185 CONTAINING 5 FT OF TUBING, (2) 5/16 & (1) 1/4 COMPRESSION NUTS.

FB1560 - SPINNER DRIVE

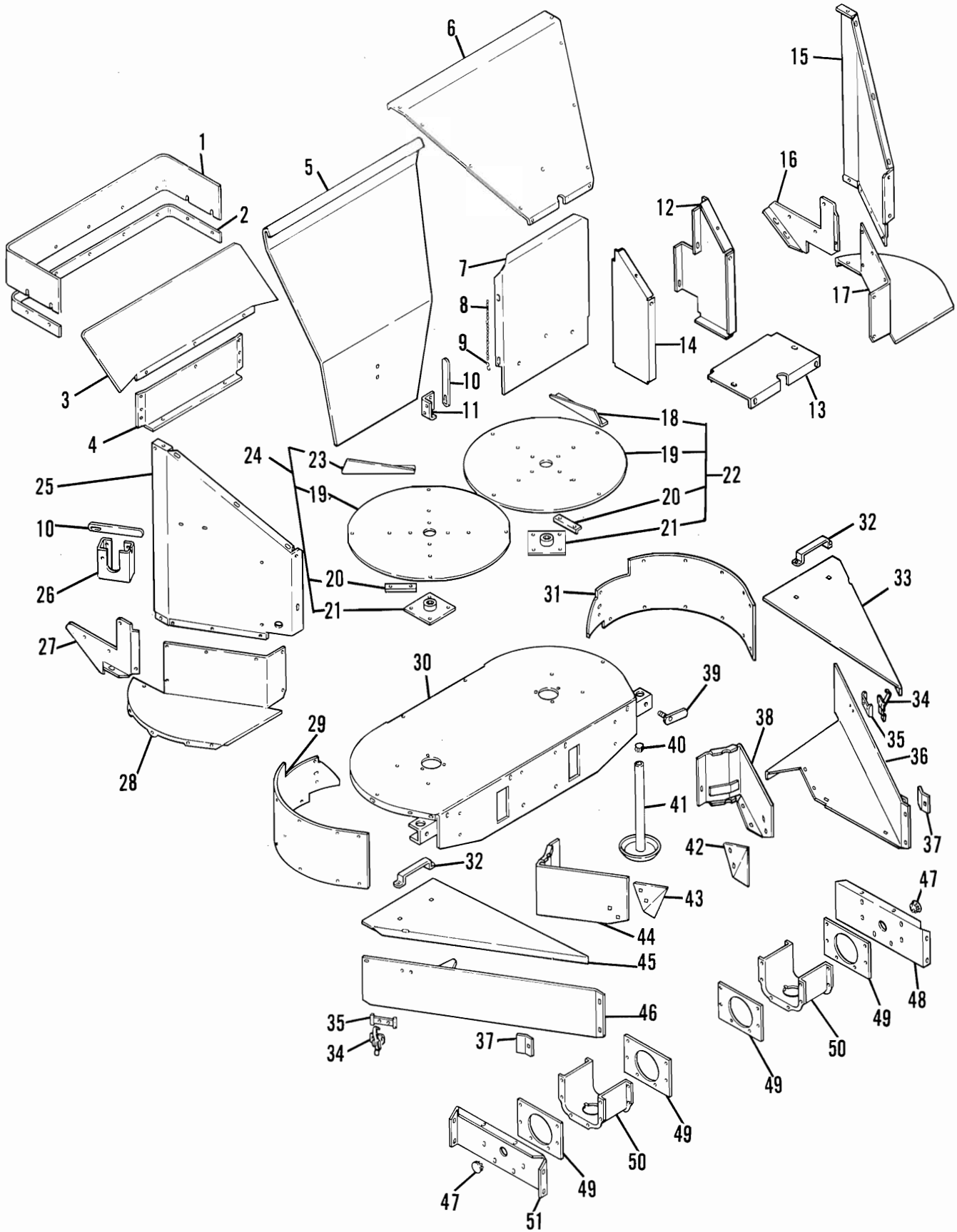


FB1560 - SPINNER DRIVE

REF. NO.	PART NO.	PART NAME	NO. REQ.	REF. NO.	PART NO.	PART NAME	NO. REQ.
01	061848	NUT/BULKHEAD ADAPTER.....	4	21	054559	GEAR/BEVEL 14T.....	4
02	061847	ADAPTER/STRAIGHT.....	4	22	076245	SHAFT/ROTOR DRIVE.....	2
	570008	FITTING/GREASE.....	2		655020	PIN/COTTER 3/16X1-1/2....	4
	570014	FITTING/GREASE.....	2	23	040775	PIN/ROLL.....	2
03	061845a	CONNECTOR/STRAIGHT TUBE... 4	4	24	061006	WIRE.....	1
04	076213	JACKSHAFT.....	1	25	078651	SHAFT/DRIVE.....	1
	655022	PIN/COTTER 3/16X1-3/4....	1		655020	PIN/COTTER 3/16X1-1/2....	2
05	054353	WASHER.....	AR	26	053657	RETAINER/BEARING.....	2
06	073281	WASHER.....	2		650704	CB 3/8X1 (N,L).....	4
07	H 267A	WASHER 18 GAGE.....	AR	27	044260	BEARING/BALL.....	5
	H 7165	WASHER 12 GAGE.....	AR	28	H 487	RETAINER/BEARING.....	2
08	080861a	CONNECTOR/90 ELBOW TUBE... 4	4		650704	CB 3/8X1 (N,L).....	4
09	080863	FLANGETTE/62 MM.....	1	29	082509	CHAIN/ROLLER (#60) OF 148.	1
10	520144	BEARING/BALL.....	2			LINKS INCLUDING (1) PLAIN	
11	520085	COLLAR/BEARING.....	2			CONNECTOR 500160	
12	H 195A	RETAINER/BEARING.....	3	30	081740	GUIDE/CHAIN.....	1
	650704	CB 3/8X1 (N,L).....	9	31	074404	WASHER.....	1
13	076207	JACKSHAFT/ASSY.....	1		652057	CB 3/8X2-1/2 (2N,L,12P)..	1
	650786	CB 3/8X1-1/4 (L,P).....	4	32	081738	ARM/IDLER ASSY.....	1
	650533	CS 3/8X1-1/2 (L,2P).....	1	33	062738	SLEEVE BEARING.....	2
14	H 7100	CB 3/8X3-1/4 (2N,P).....	1		650644	CS 1/2X3 (N,L,P).....	1
		(2) 3/8 N (1) 3/8 P		34	071325	SPRING/TORSION.....	1
15	076217	SPROCKET/ASSY 17T.....	1	35	065642	BUSHING/SNUB.....	2
	650513	KEY/WOODRUFF-HD 1/4X1....	1	36	078650	PLATE/BEARING.....	1
16	080862	FLANGETTE/6 MM.....	1	37	078649	SPACER.....	1
17	H 195	RETAINER/BEARING.....	1	38	084142	SPROCKET/ASSY 18T.....	1
	650704	CB 3/8X1 (N,L).....	3				
18	H 7812	IDLER/SPROCKET.....	1				
	650503	CS 1/2X2-1/2 (N,L,2P)....	1				
19	053719	BEARING/BALL.....	2				
20	082517	HOUSING/BEARING.....	4				
	650491	CS 3/8X1-1/4 (LN).....	6				
	650773	CB 3/8X1-1/2 (N,L).....	5				
	652053	CB 3/8X2 (N,L).....	1				
	650495	CS 1/2X1-1/4 (N,L,12P)...	6				

a) FOR GREASE LINE REPAIR, ORDER TUBING KIT 065185 CONTAINING 5 FT OF TUBING, (2) 5/16 & (1) 1/4 COMPRESSION NUTS.

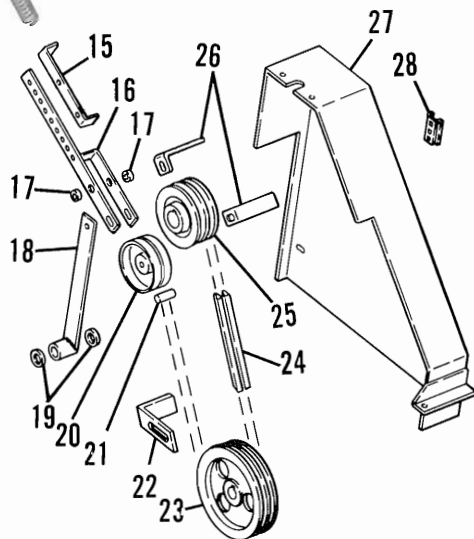
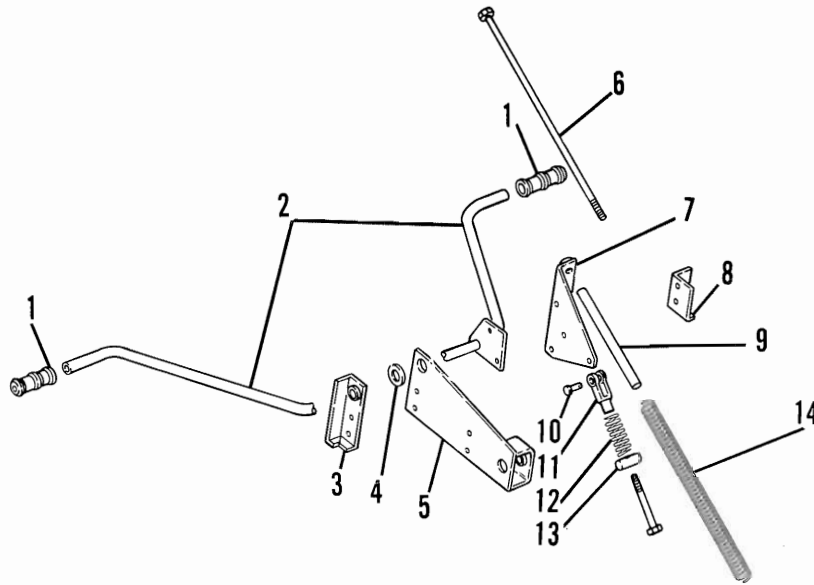
FB1560 - SPINNER, HOPPER & HOOD



FB1560 - SPINNER, HOPPER & HOOD

REF. NO.	PART NO.	PART NAME	NO. REQ.	REF. NO.	PART NO.	PART NAME	NO. REQ.
01	076260	SKIRT/HOPPER.....	1	28	076264	COVER/SPINNER FRONT.....	1
02	076261	STRAP/SKIRT.....	1		650484	CS 5/16X1/2 (N,L).....	1
	650949	THMS 5/16X3/4 (N,L).....	9		650486	CS 5/16X3/4 (N,L,P).....	5
03	076257	TROUGH/HOPPER.....	1		061872	TFS 5/16X3/4.....	1
	650486	CS 5/16X3/4 (N,L).....	3	29	076262	RIM/SPINNER FRONT.....	1
04	076256	SIDE/SPINNER RIGHT.....	1		650486	CS 5/16X3/4 (N,L,P).....	5
	650487	CS 5/16X1 (N,L,6P).....	2		650545	CS 5/16X1-1/4 (N,L).....	1
05	076271	BAFFLE.....	1		650687	CB 5/16X3/4 (N,L).....	1
06	076270	HOOD/TOP.....	1	30	076230	HOPPER/BOTTOM ASSY.....	1
	650486	CS 5/16X3/4 (N,L,7P).....	11		650494	CS 1/2X1 (N,L).....	4
07	076268	HOOD/BACK.....	1		650790	CB 3/8X3/4 (LN).....	3
	650486	CS 5/16X3/4 (N,L,P).....	5	31	076263	RIM/SPINNER REAR.....	1
08	076269	CHAIN.....	1		650486	CS 5/16X3/4 (N,L,P).....	5
	650448	CS 1/4X3/4 (N,L,P).....	1		650545	CS 5/16X1-1/4 (N,L).....	1
09	B 11433A	S-HOOK.....	1		650687	CB 5/16X3/4 (N,L).....	1
	650486	CS 5/16X3/4 (LN,P).....	1	32	071579	HANDLE/SHIELD.....	2
10	076273	ARM.....	2		650771	CB 1/4X1/2 (N,L).....	4
	650545	CS 5/16X1-1/4 (4LN,P).....	2	33	076229	COVER/CHUTE REAR.....	1
11	076272	BRACKET/BAFFLE STOP.....	1	34	079878	LATCH.....	2
	650687	CB 5/16X3/4 (N,L).....	2		650812	RHMS #12-24X1/2 (N,L,P).....	4
12	082520	GUARD/REAR ASSY.....	1	35	076227	CLIP.....	2
13	082522	COVER.....	1	36	083026	CHUTE/BOTTOM REAR ASSY....	1
	650486	CS 5/16X3/4 (3N,L,6P)....	7		650687	CB 5/16X3/4 (N,L,1P).....	3
14	082518	GUARD/FRONT ASSY.....	1		650486	CS 5/16X3/4 (N,L,P).....	3
15	076267	HOOD/SIDE REAR.....	1	37	076226	CLAMP/CHUTE COVER.....	2
	650484	CS 5/16X1/2 (N,L).....	4		650687	CB 5/16X3/4 (N,L).....	2
	650490	CS 3/8X1 (JN).....	1	38	082512	CHUTE/INSIDE REAR ASSY....	1
16	076259	END/HOPPER REAR.....	1		650687	CB 5/16X3/4 (N,L,P).....	2
	650486	CS 5/16X3/4 (N,L,P).....	2		061872	TFS 5/16X3/4.....	1
17	076265	COVER/SPINNER REAR.....	1	39	076781	HANDLE/ASSY.....	2
	650484	CS 5/16X1/2 (N,L).....	1	40	078022	PLUG/HOLE.....	2
	650486	CS 5/16X3/4 (N,L,P).....	5	41	076252	BASE/ASSY.....	2
	061872	TFS 5/16X3/4.....	1	42	082516	DEFLECTOR/TUNNEL REAR.....	1
18	076251	REAR ROTOR PADDLE.....	4	43	082515	DEFLECTOR/TUNNEL FRT.....	1
	650490	CS 3/8X1 (N,L).....	6	44	082510	CHUTE/INSIDE FRONT ASSY...	1
	650491	CS 3/8X1-1/4 (N,L).....	4		650687	CB 5/16X3/4 (N,L,P).....	2
19	066775	ROTOR.....	2		061872	TFS 5/16X3/4.....	1
20	053615	WIPER.....	4	45	076228	COVER/CHUTE FRONT.....	1
21	066773	ROTOR HUB.....	2	46	083025	CHUTE/FRONT.....	1
22	076250	ROTOR/REAR ASSEMBLED.....	1		650687	CB 5/16X3/4 (N,L,1P).....	3
23	076249	FRONT ROTOR PADDLE.....	4		650486	CS 5/16X3/4 (N,L,P).....	3
	650490	CS 3/8X1 (N,L).....	6	47	053660	PLUG/HOLE.....	2
24	076248	ROTOR/FRONT ASSEMBLED.....	1	48	076247	COVER/GEAR BOX REAR.....	1
25	076266	HOOD/SIDE FRONT.....	1		650487	CS 5/16X1 (N,L,P).....	12
	650484	CS 5/16X1/2 (N,L).....	4	49	076244	GASKET.....	4
	650490	CS 3/8X1 (JN).....	1	50	055114	BOX/GEAR.....	2
26	077824	BRACKET/PTO.....	1		650486	CS 5/16X3/4 (N,L).....	12
	650486	CS 5/16X3/4 (N,L,P).....	2	51	076246	COVER/GEAR BOX FRONT.....	1
	650486	CS 5/16X3/4 (N,L,P).....	2		650487	CS 5/16X1 (N,L,P).....	12
27	076258	END/HOPPER FRONT.....	1		650969	CB 5/16X5/8 (N,L).....	4
	650486	CS 5/16X3/4 (N,L,P).....	2				

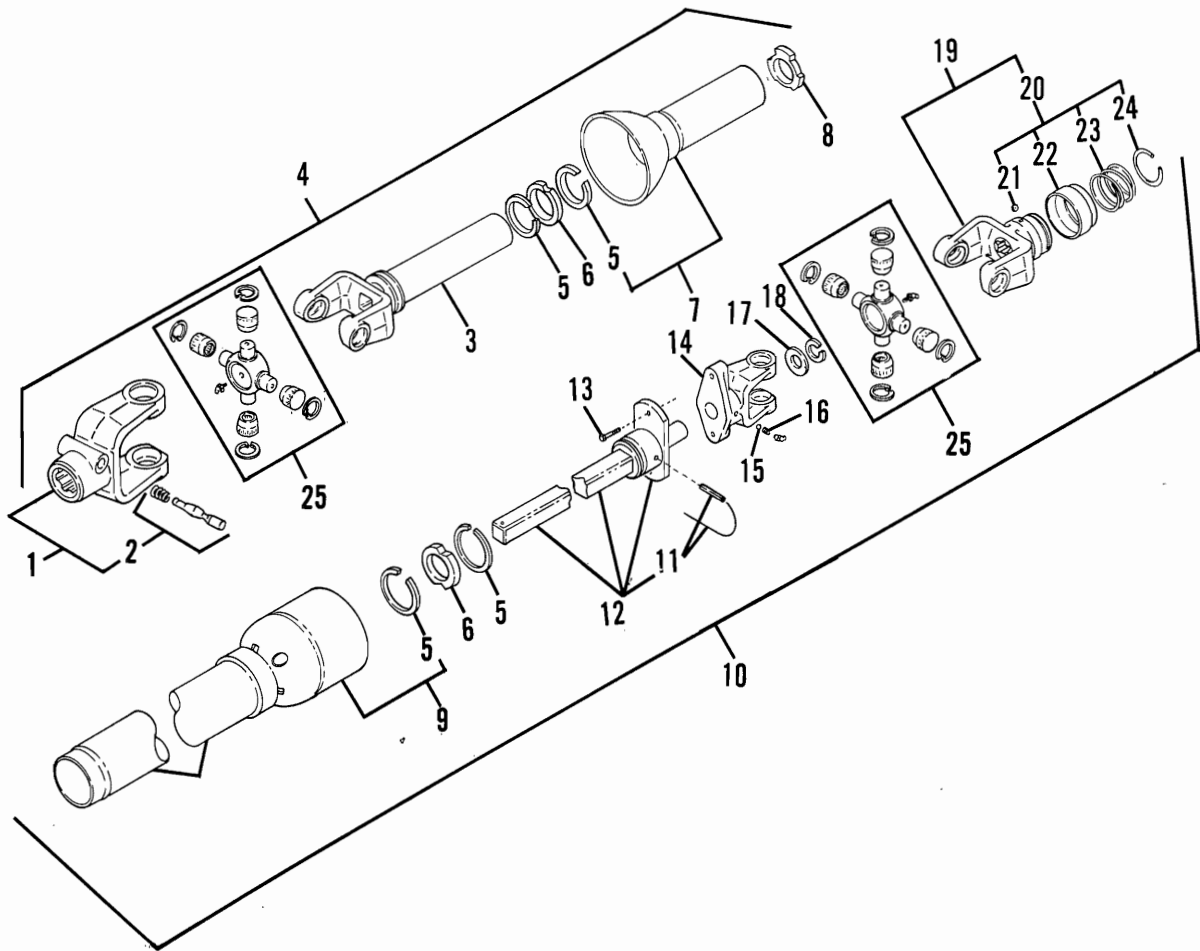
FB1560 - SPINNER EMERGENCY SHUTOFF CONTROL



REF. NO.	PART NO.	PART NAME	NO. REQ.
01	M 12106	LEVER/GRIP.....	2
02	076309	LEVER/SHIFTER ASSY.....	1
	655020	PIN/COTTER 3/16X1-1/2....	1
03	082533	BRACKET/SHIFTER FRT.....	1
	061872	TFS 5/16X3/4.....	2
04	H 7163	WASHER.....	5
05	076306	PLATE/SHIFTER ASSY.....	1
	061872	TFS 5/16X3/4.....	2
06	047576	BOLT/HEX HED 1/2X22 (JN)..	1
07	082534	SHIFTER/BRACKET ASSY.....	1
	650486	CS 5/16X3/4 (N,L).....	2
08	082587	GUIDE/COVER REAR.....	1
	061872	TFS 5/16X3/4.....	2
09	053698	SPACER.....	1
10	045660	PIN.....	1
	655006	PIN/COTTER 1/8X1.....	1
		(3) 1/2P	
11	076313	YOKE.....	1
12	042000	SPRING.....	1
13	076315	SHAFT/PIVOT.....	1
	570021	FITTING/GREASE.....	1
	650497	CS 1/2X5-1/2 (JN,8P)....	1
14	053696	SPRING/COMPRESSION.....	1
15	076319	GUIDE/ASSY.....	1
	650486	CS 5/16X3/4 (N,L).....	2
16	082535	FORK/IDLER ASSY.....	1
17	054543	SPACER.....	2
	650744	CS 1/2X4 (N,L,11P).....	1
18	082505	ARM/IDLER ASSY.....	1
	570021	FITTING/GREASE.....	1
19	H 8054	WASHER.....	3

REF. NO.	PART NO.	PART NAME	NO. REQ.
20	069298	PULLEY/IDLER.....	1
21	077643	SPACER/BELT.....	1
	650818	CS 3/8X3 (N,L,4P).....	1
22	082514	RETAINER/BELT.....	1
	650704	CB 3/8X1 (N,L).....	3
23	082507	SHEAVE/11-5/8 DIA.....	1
	650513	KEY/WOODRUFF-HD 1/4X1....	1
24	076216	SET/BELT.....	1
25	076337	SHEAVE.....	1
	650207	SHSS-SL 5/16X1/2.....	1
	655536	KEY/WOODRUFF-HD 3/8X1-1/4	1
26	053826	RETAINER/BELT.....	2
	650585	CS 1/2X2 (N,L).....	6
	650850	CS 1/2X2-3/4 (4N,4L,4P)..	2
27	082538	GUARD/ASSY.....	1
	650486	CS 5/16X3/4 (N,L,2P)....	4
28	047269	SOCKET/MOUNTING.....	1
	650969	CB 5/16X5/8 (N,L).....	2

FB1560 - TELESCOPING DRIVE

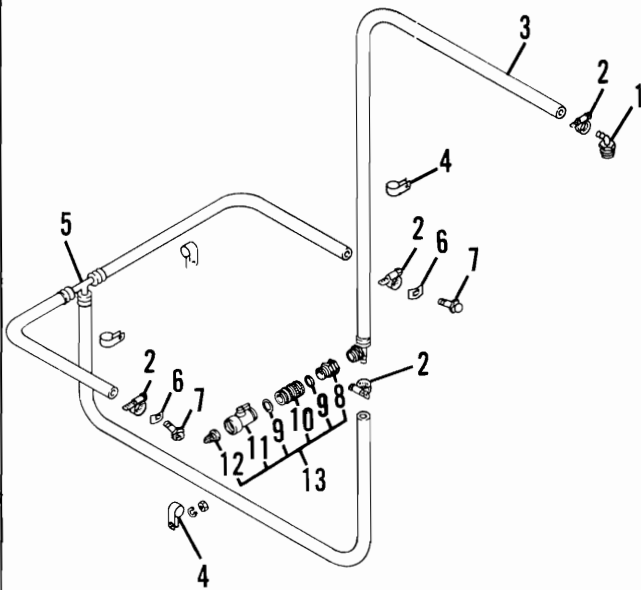


REF. NO.	PART NO.	PART NAME	NO. REQ.	REF. NO.	PART NO.	PART NAME	NO. REQ.
	802877	44 SERIES 1000 RPM..... TELESCOPING DRIVE	1	14	082581	SHEAR YOKE.....	1
		CONSISTS OF:			570002	GREASE FITTING.....	1
01	082584	YOKE ASSEMBLY.....	1	15	060120	STEEL BALL-5/16 DIA.....	1
02	089770	REPAIR KIT	1	16	045884	COMPRESSION SPRING.....	1
03	082585	YOKE & TUBE.....	1	17	045883	WASHER.....	1
	570014	GREASE FITTING.....	1	18	045882	RETAINING RING.....	1
04	082583	UNIVERSAL JOINT W/SQ..... TUBE-ASSEMBLED	1	19	079000	LOCK YOKE (1-3/8-21..... SPLINE)-ASSEMBLED	1
05	510100	BEARING RETAINER.....	4	20	067537	SLIDE LOCK KIT.....	1
06	510202	NYLON BEARING.....	2	21	510229	PAWL.....	2
07	082586	MALE GUARD.....	1	22	510227	COLLAR.....	1
08	510215	NYLON CENTRALIZER.....	1	23	510228	SPRING.....	1
09	076626	FEMALE GUARD.....	1	24	510226	RETAINING RING.....	1
10	078977	UNIVERSAL JOINT W/SQ..... SHAFT-ASSEMBLED	1	25	078979	CENTER CROSS KIT	2
11	074734	STAINLESS STEEL WIRE &.... 3/8x2-1/4 ROLL PIN KIT	1		570014	GREASE FITTING.....	2
12	078978	SHAFT W/SHEAR FLANGE.....	1				
13	081656a	SHEAR BOLT 5/16X1-1/2 GR.5 (2) 5/16 LN	2				

a=FOR REPLACEMENT SHEAR BOLTS, ORDER PART #081655 CONTAINING 8 BOLTS & LN.

FB1560 - OPTIONS & ACCESSORIES

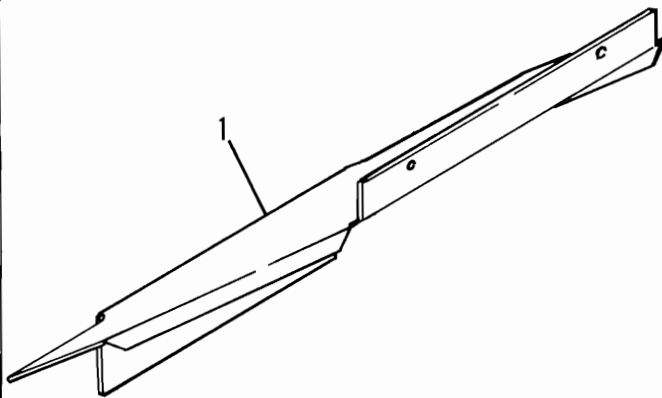
802669 Water Injection System



REF. NO.	PART NO.	PART NAME	NO. REQ.
	802669	WATER INJECTION SYSTEM....	1
		CONSISTS OF:	
01	076429	FITTING/ELBOW.....	1
02	075665a	CLAMP/HOSE.....	4
03	076428	HOSE/WATER RIMSHEET.....	1
04	056773a	CLAMP/HOSE.....	4
		(1) 5/16N,L	
05	076427	HOSE/WATER SPINNER.....	1
06	061848	NUT/ADAPTER.....	2
07	078023	NOZZLE/WATER.....	2
08	076430	BULKHEAD (COOLER DRAIN)...	1
09	060349	WASHER.....	2
10	060348	ADAPTER/HOSE FEMALE.....	1
11	076468	VALVE/SHUTOFF.....	1
12	076467	WASHER/STRAINER.....	1
13	076466	PACKAGE/WATER PARTS.....	1

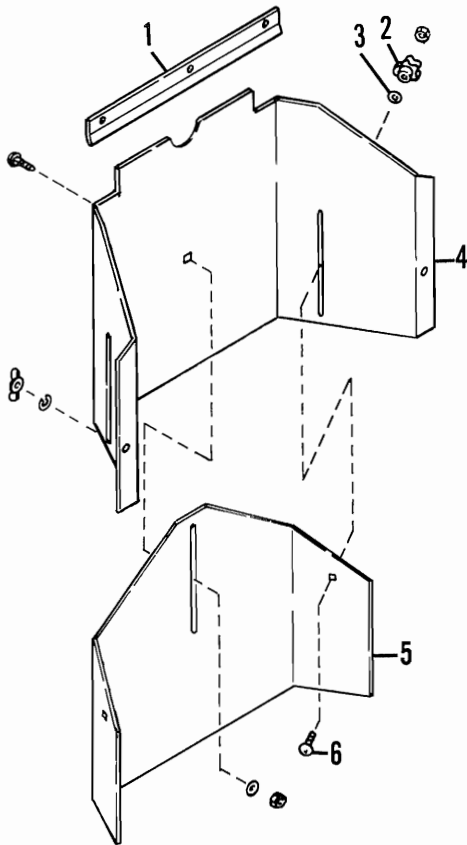
a=ONE CLAMP, N & L INCLUDED WITH WATER PARTS PACKAGE

802642 Small Grain Saver (Shield)



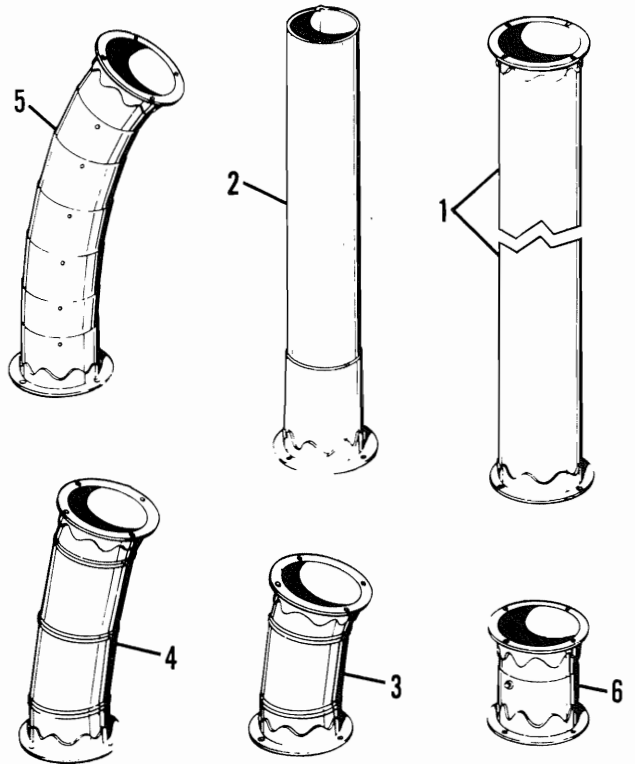
REF. NO.	PART NO.	PART NAME	NO. REQ.
	802642	SMALL GRAIN SAVER (SHIELD)	1
		CONSISTS OF:	
01	076784	COVER/GRAIN.....	1

802668
Right Tire Guard



REF. NO.	PART NO.	PART NAME	NO. REQ.
	802668	RIGHT TIRE GUARD KIT.....	1
		CONSISTS OF:	
01	078024	GUIDE/TIRE GUARD.....	2
	650950	THMS 5/16X1 (N,L,JN).....	3
02	076277	KNOB/CONTROL.....	2
03	057637	WASHER/SPRING.....	2
04	076275	GUARD/TIRE.....	1
	650754	CB 5/16X1/2 (LN,P).....	1
		(2) 5/16WN,L	
05	076276	GUARD/ADJUSTABLE.....	1
06	076676	CB/SPECIAL 5/16X1-1/2.....	2
		(2) 5/16LN,P	

9" Blower Pipes & Elbows

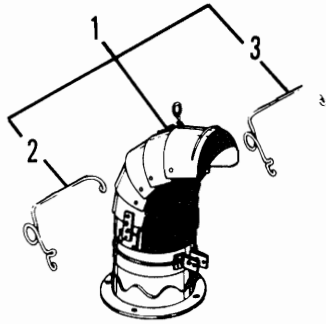


REF. NO.	PART NO.	PART NAME	NO. REQ.
9" BLOWER PIPES & ELBOWS			
01	825001	2-FT STRAIGHT PIPE.....	1
	825002	4-FT STRAIGHT PIPE.....	1
	825003	6-FT STRAIGHT PIPE.....	1
	825004	8-FT STRAIGHT PIPE.....	1
02	825005	TELESCOPING PIPE FITTING..	1
03	825006	22-1/2 DEGREE ELBOW.....	1
04	825007	45 DEGREE ELBOW.....	1
05	825009	FLEXIBLE ELBOW.....	1
06	825010	SHORT-TILT ELBOW.....	1

FOR REPLACEMENT PIPE FLANGE ONLY, ORDER ONE D3000A FLANGE & SIX 069176-3/16X9/32 RIVETS.

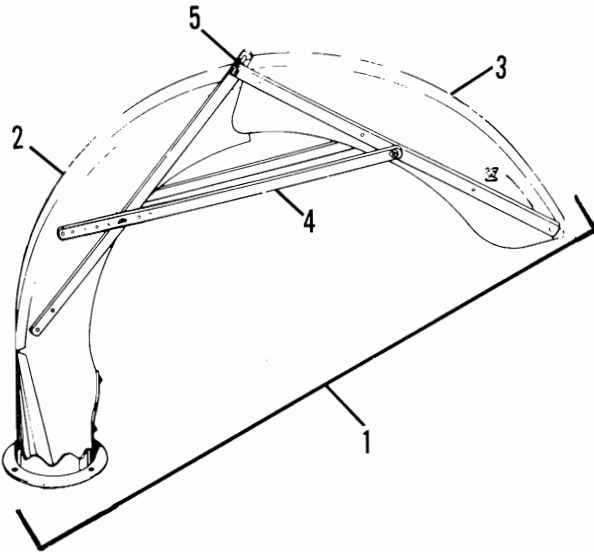
FB1560 - OPTIONS & ACCESSORIES

825008 Flexible Hood w/Springs



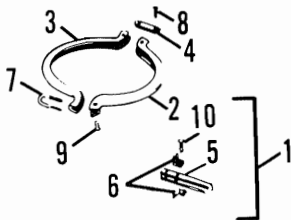
REF. NO.	PART NO.	PART NAME	NO. REQ.
	825008	FLEXIBLE HOOD W/SPRINGS...	1
		CONSISTS OF:	
01	D 3012a	DISTRIBUTOR/FLEXIBLE.....	1
02	D 3043	SPRING/RIGHT DISTRIBUTOR..	1
03	D 3044	SPRING/LEFT DISTRIBUTOR...	1
a=FOR REPLACEMENT PIPE FLANGE ONLY, ORDER ONE D3000A FLANGE & SIX 069176-3/16X9/32 RIVETS.			
a=FOR REPLACEMENT PIPE FLANGE ONLY, ORDER ONE D3000A FLANGE & SIX 069176-3/16X9/32 RIVETS.			

825011 Adjustable Deflector



REF. NO.	PART NO.	PART NAME	NO. REQ.
	825011	ADJUSTABLE DEFLECTOR.....	1
		CONSISTS OF:	
01	D 3008Ba	ELBOW/ADJUSTABLE DEFLECTOR	1
02	D 3026	DEFLECTOR.....	1
03	D 3027	EXTENSION/DEFLECTOR.....	1
04	D 3028	STRAP/DEFLECTOR ADJUSTMENT	2
	652135	CB 5/16X1 (2N,L,2WN).....	4
05	D 3029	ROD/DEFLECTOR HINGE.....	2
	650553	PIN/COTTER 1/8X3/4.....	2

825014 Quick Clamp



REF. NO.	PART NO.	PART NAME	NO. REQ.
	825014	QUICK CLAMP.....	1
		CONSISTS OF:	
01	D 3024	HANDLE/LOCK-ASSEMBLED.....	1
02	D 3017	CLAMP/PIPE.....	1
03	D 3017A	CLAMP/PIPE.....	1
04	D 3018	CONNECTOR/PIPE CLAMP.....	1
05	D 3019a	HANDLE/LOCK.....	1
06	D 3020a	BRACKET/LOCK.....	2
07	D 3021	YOKE/LOCK.....	1
		(4) 1/4 N	
08	D 3022	15/32"LONG RIVET.....	2
09	D 3022A	3/4"LONG RIVET.....	1
10	D 3022a	1"LONG RIVET.....	1

a=FOR REPLACEMENT ORDER D3024.




FB1560 - NUMERICAL INDEX

PART NO.	PAGE NO.	REF. NO.	PART NO.	PAGE NO.	REF. NO.	PART NO.	PAGE NO.	REF. NO.	PART NO.	PAGE NO.	REF. NO.
082516	11	42	802669	14							
082517	09	20	802877	13							
082518	11	14	825001	15	01						
082520	11	12	825002	15	01						
082522	11	13	825003	15	01						
082524	05	04	825004	15	01						
082533	12	03	825005	15	02						
082534	12	07	825006	15	03						
082535	12	16									
082538	12	27									
082541	07	16									
082542	07	43									
082544	07	19									
082545	07	22									
082546	07	17									
082548	07	23									
082549	07	20									
082550	07	21									
082551	07	31									
082552	07	35									
082553	07	40									
082559	07	24									
082561	07	29									
082562	07	27									
082563	07	09									
082581	13	14									
082587	12	08									
083025	11	46									
083026	11	36									
083752	07	39									
084142	09	38									
500000											
510100	13	05									
510202	13	06									
510215	13	08									
510226	13	24									
510227	13	22									
510228	13	23									
510229	13	21									
520085	09	11									
520144	09	10									
520195	07	10									
520209	05	03									
550046	05	21									
550047	05	18									
550048	05	20									
550049	05	19									
550052	05	22									
800000											
802642	14										
802668	15										

NOTES

NOTES

TORQUE SPECIFICATIONS FOR STANDARD MACHINE HARDWARE

SIZE	SAE GRADE #2 		SAE GRADE #5 		SAE GRADE #8 	
	DRY	LUB.	DRY	LUB.	DRY	LUB.
8 - 32	19 in. Lbs.	14 in. Lbs.	30 in. Lbs.	22 in. Lbs.	41 in. Lbs.	31 in. Lbs.
8 - 36	20 "	15 "	31 "	23 "	43 "	32 "
10 - 24	27 "	21 "	43 "	32 "	60 "	45 "
10 - 32	31 "	23 "	49 "	36 "	68 "	51 "
1/4 - 20	66 "	50 "	9 Ft. Lbs.	75 "	12 Ft. Lbs.	9 Ft. Lbs.
1/4 - 28	76 "	56 "	10 "	86 "	14 "	10 "
5/16 - 18	11 Ft. Lbs.	9 Ft. Lbs.	17 "	13 Ft. Lbs.	25 "	18 "
5/16 - 24	12 "	9 "	19 "	14 "	25 "	20 "
3/8 - 16	20 "	15 "	30 "	23 "	45 "	35 "
3/8 - 24	23 "	17 "	35 "	25 "	50 "	35 "
7/16 - 14	32 "	24 "	50 "	35 "	70 "	55 "
7/16 - 20	36 "	27 "	55 "	40 "	80 "	60 "
1/2 - 13	50 "	35 "	75 "	55 "	110 "	80 "
1/2 - 20	55 "	40 "	90 "	65 "	120 "	90 "
9/16 - 12	70 "	55 "	110 "	80 "	150 "	110 "
9/16 - 18	80 "	60 "	120 "	90 "	170 "	130 "
5/8 - 11	100 "	75 "	150 "	110 "	220 "	170 "
5/8 - 18	110 "	85 "	180 "	130 "	240 "	180 "
3/4 - 10	175 "	130 "	260 "	200 "	380 "	280 "
3/4 - 16	200 "	150 "	300 "	220 "	420 "	320 "
7/8 - 9	170 "	125 "	430 "	320 "	600 "	460 "
7/8 - 14	180 "	140 "	470 "	360 "	660 "	500 "
1 - 8	250 "	190 "	640 "	480 "	900 "	680 "
1 - 12	270 "	210 "	710 "	530 "	1000 "	740 "

Multiply In. Lbs. by (0.113) or Ft. Lbs. by (1.355) for metric Nm.

NOTE: These torque values are to be used for all GEHL hardware excluding: locknuts, self-tapping screws, thread forming screws, and sheet metal screws. Unless otherwise noted, all torque values must meet this specification.

Attaching Hardware Table

Size & Description	Part Number	Size & Description	Part Number	Size & Description	Part Number	Size & Description	Part Number
650627	#12-24N	653007	5/16N	653039	3/8NF-JN	654009	1/2P
650813	#12L	071701	5/16LN	071703	3/8LN	653018	1/2N
653005	1/4N	654024	5/16L	654026	3/8L	654030	1/2L
654022	1/4L	654004	5/16P	654006	3/8P	654014	3/4P
654002	1/4P	653010	3/8N				

GEHL®

FARM EQUIPMENT

GEHL COMPANY WEST BEND, WISCONSIN 53095 U.S.A.