

BEFCO[®]

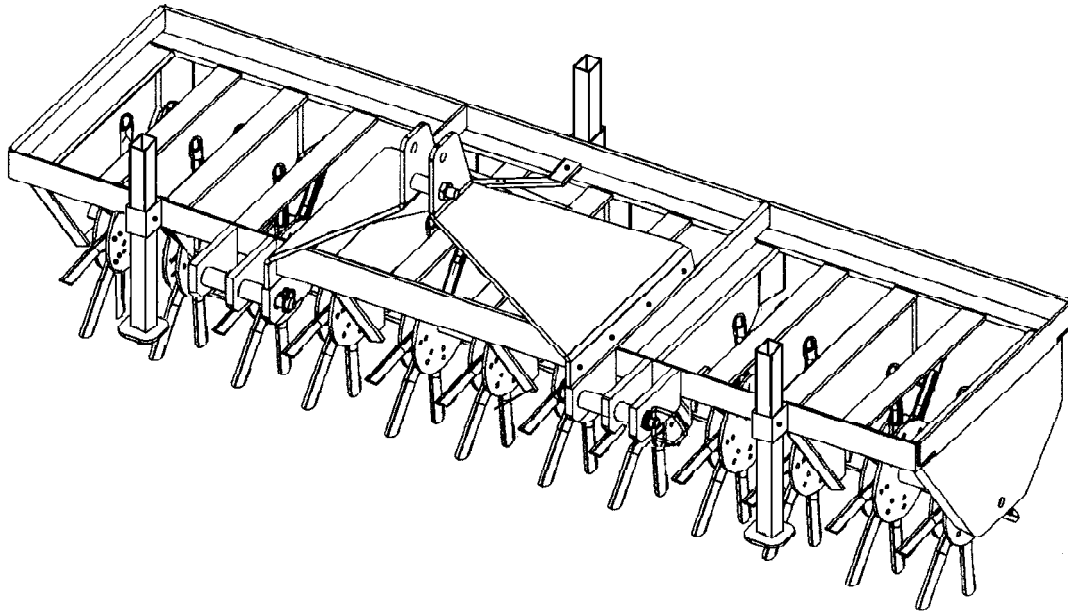
Operator's Manual

GROUND ENGAGE EQUIPMENT

Core Aerators

BCA-048, BCA-060, BCA-072

BCA-260, BCA-272



The operator's manual is a technical service guide and must always accompany the machine.

Manual 971-212B

October 2008

SAFETY

Take note! This safety alert symbol found throughout this manual is used to call your attention to instructions involving your personal safety and the safety of others. Failure to follow these instructions can result in injury or death.



*This symbol means:
ATTENTION!
BECOME ALERT!
YOUR SAFETY IS INVOLVED!*

Signal Words

Note the use of the signal words DANGER, WARNING and CAUTION with the safety messages. The appropriate signal words for each have been selected using the following guidelines:



DANGER: Indicates an imminently hazardous situation that, if not avoided, will result in death or serious injury.



WARNING: Indicates a potentially hazardous situation that, if not avoided, could result in death or serious injury, and includes hazards that are exposed when guards are removed. It may also be used to alert against unsafe practices.



CAUTION: Indicates a potentially hazardous situation that, if not avoided, may result in minor or moderate injury.

INDEX

1 - GENERAL INFORMATION	4
1.01 - General	4
1.02 - Model and Serial Number ID	4
1.03 - Assembly Instructions	5
2 - SAFETY PRECAUTIONS	6
2.01 - Preparation	6
2.02 - Starting and Stopping	7
2.03 - Messages and Signs	7
3 - OPERATION	9
3.01 - Operational Safety	9
3.02 - Setup	11
3.03 - Pre-Operational Check	11
3.04 - Attaching to the Tractor	11
3.05 - Start Up	12
3.06 - Working Speed	13
3.07 - Operating Techniques	13
3.08 - Uneven Terrain	13
4 - MAINTENANCE	14
4.01 - Maintenance Safety	14
4.02 - Service	15
4.03 - Transport	15
5 - REPAIR PROCEDURES	18
5.01 - Suggested Spare Parts	18
5.02 - Storage	18
6 - TROUBLESHOOTING	19
7 - PRE-DELIVERY CHECKLIST	20
8 - WARRANTY	21
PARTS MANUAL	25

1 - GENERAL INFORMATION

Thank you and congratulations for having chosen our implement. Your new core aerator is a technologically advanced machine constructed of high quality, sturdy components that will fulfill your working expectations. Read this manual carefully. It will instruct you on how to operate and service your implement safely and correctly. Failure to do so could result in personal injury and/or in equipment damage.

1.01 - General



CAUTION: Unless otherwise specified, all hardware is metric. Use only metric tools on metric hardware. Other tools that do not fit properly can slip and cause injury.



CAUTION: Right hand and left hand sides of the implement are determined by facing in the direction the implement will travel when going forward (see fig. 2).

1.02 - Model and Serial Number ID

Attached to the frame is an ID plate showing the model and the serial number. Record your implement model and serial number in the space provided below. Your dealer needs this information to give you prompt, efficient service when you order parts.

BEFCO	1781 S. Wesleyan Blvd. — P.O. Box 6036 Rocky Mount, N.C. 27802 — U.S.A. Tel: 1.252.977.9920 Fax: 1.252.977.9718
MODEL:	<input type="text"/>
SERIAL:	<input type="text"/>
VERSION:	<input type="text"/>

Carefully read the Warranty section¹, detailing coverage and limitations of this warranty. **Warranty** is provided for customers who operate and maintain their equipment as described in this manual. Warranty registration is accomplished by the dealer by

¹ See Chapter 8 - Warranty.

completing and forwarding the **Warranty Registration Form** to the Company, along with a copy of the dealer's invoice. It is in your best interest to insure that this has been done.

Warranty does not cover the following:

1. Cleaning, transporting, mailing and service call charges.
2. Normal wear items such as spoons, bushings, etc.
3. Depreciation or damage caused by normal wear, accidents, improper maintenance, improper protection or improper use.
4. The use of non-original spare parts and accessories.

Your Authorized Company Dealer has genuine parts in stock. Only these approved replacement parts should be used.

This limited warranty covers defective material and workmanship. The cost of normal maintenance or repairs for accidents or improper use and related labor will be borne by the owner.

1.03 - Assembly Instructions

Note: Refer to the Parts Manual for an illustration of the parts referenced in the instructions below.

1. Remove top and side panels from crate. If unit was shipped with weight canisters please remove them before trying to remove the panels.
2. Remove "A" frame from crate. It is wired to the machine for transporting purposes.
3. Remove main frame of core aerator using an overhead chain hoist. Be sure to attach the chain of the hoist to the hitch pins.

Note: Use caution while removing unit from the crate. It is shipped upside down and will need to be turned over before placing on the ground. Lifting the unit from the hitch pins allows the machine to rotate while being raised and will help place machine upright.

4. The bolts (**see Parts Manual**) that secure the "A" frame to the main frame of the machine are shipped mounted in the holes on the main frame. Remove the bolts and nuts.
5. Mount the "A" frame onto the mainframe and secure it with the bolts and nuts that were removed during the step 4.



CAUTION: Stand clear of bands when cutting as they could be under sufficient tension to cause them to fly loose. Take care in removing bands and wire. They often have extremely sharp edges and cut very easily.

2 - SAFETY PRECAUTIONS

Safety is the primary concern in the design and manufacture of our products. Unfortunately our efforts to provide safe equipment can be wiped out by a single careless act of an operator.

In addition to the design and configuration of equipment, hazard control and accident prevention are dependent upon the awareness, concern, prudence and proper training of personnel involved in the operation, transport, maintenance and storage of equipment. It is the operator's responsibility to read and understand all safety and operating instructions in the manual and to follow these.

Allow only properly trained personnel to operate the implement. Working with unfamiliar equipment can lead to careless injuries. Read this manual, and the manual for your tractor, before assembly or operating, to acquaint yourself with the machines. It is the owner's responsibility, if this machine is used by any person other than yourself, is loaned or rented, to make certain that the operator, prior to operating, reads and understands the operator's manuals and is instructed in safe and proper use.

2.01 - Preparation



1. Before operating equipment read and understand the operator's manual and the safety signs (**see fig. 2**).
2. Thoroughly inspect the implement before initial operation to assure that all packaging materials, i.e. wires, bands, and tape have been removed.
3. Personal protection equipment including hard hat, safety glasses, safety shoes, and gloves are recommended during assembly, installation, operation, adjustment, maintaining and/or repairing the implement.
4. Operate the implement only with a tractor equipped with an approved Roll-Over-Protective-System (ROPS). Always wear your seat belt. Serious injury or even death could result from falling off the tractor.
5. Clear area to be cut of stones, branches or other debris that might be thrown, causing injury or damage.
6. Operate only in daylight or good artificial light.
7. Ensure implement is properly mounted, adjusted and in good operating condition.
8. Ensure that all safety decals are properly installed and in good condition.

2.02 - Starting and Stopping



1. Be sure that no one is near the machine prior to engaging or while the machine is working.
2. Be sure the tractor is in "Neutral" before starting engine.
3. Equipment operating power is ground driven. Know how to stop the tractor quickly in case of an emergency.
4. After striking an obstacle, shut the tractor off, remove key and thoroughly inspect for damage before restarting.

2.03 - Messages and Signs




1. Read and adhere to all safety and operating decals on this machine (**see fig. 2**).
2. Before dismounting tractor: allow moving parts to stop, stop engine, set brake and remove the key of unattended equipment.
3. Keep safety decals in place and in good condition.
4. Do not use with bystanders in area.
5. Allow no riders on tractor or implement.
6. Allow moving parts to stop before repair.
7. Securely support implement before working underneath.

Additional warning and operating decals are available at no extra charge. Please specify model and serial number when ordering.

Fig. 2 - Safety decals ; replace immediately if damaged.

⚠ WARNING




Crushing and Pinching Hazard

- Be extremely careful handling various parts of the hitching mechanism. They are heavy and hands, fingers, feet, and other body parts could be crushed or pinched between tractor and implement.
- Operate tractor controls from tractor seat only.
- Do not stand between tractor and implement when tractor is in gear.
- Make sure parking brake is engaged before going between tractor and implement.
- Stand clear of machine while in operation or when it is being raised or lowered.

Failure to follow these instructions could result in serious injury or death.

950-4078

⚠ WARNING



Falling off can result in being run over.

- Tractor must be equipped with ROPS (or ROPS CAB) and seat belt. Keep foldable ROPS system in "locked up" position at all times.
- Buckle up! Keep seat belt securely fastened.
- Allow no riders.

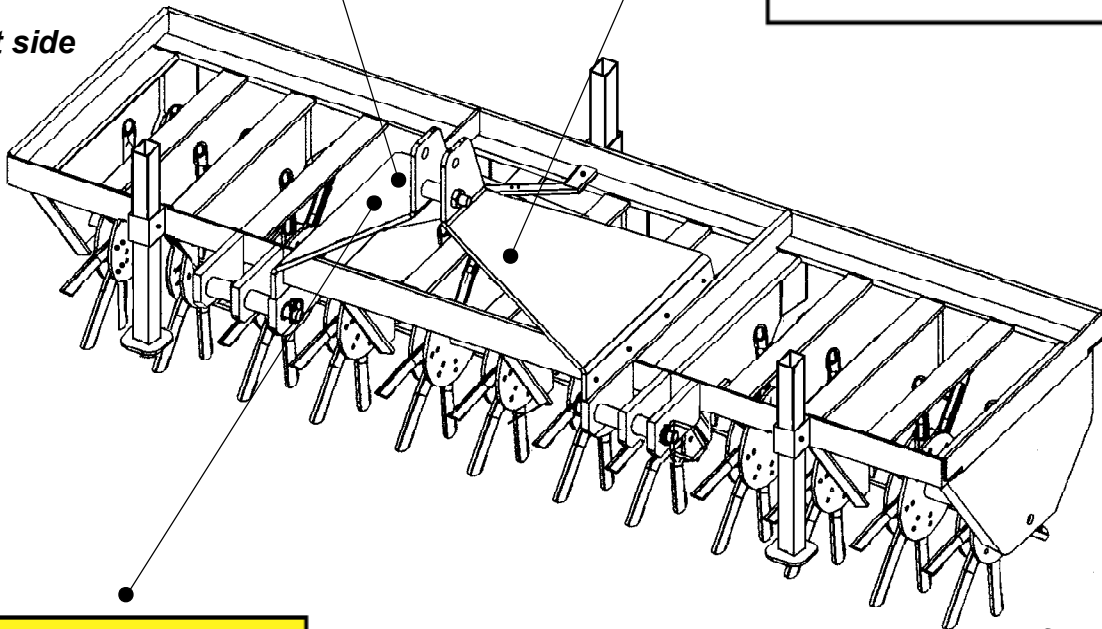
Raised equipment can drop and crush.

- Before working underneath, follow all instructions and safety rules in operator's manual and securely block all corners of equipment with jack stands.
- Securely blocking prevents equipment dropping from hydraulic leakdown, hydraulic system failures or mechanical component failures.

Falling off or failing to block securely can result in serious injury or death.

950-4068

right side



left side

⚠ CAUTION

To avoid serious injury:

- Read Operator's Manual before operating, servicing or repairing equipment. Follow all safety rules and instructions. (Manuals are available from your selling dealer.)
- Never allow riders.
- Keep bystanders away from equipment during operation.
- Operate from tractor seat only.
- Keep all shields in place and in good condition.
- Lower equipment to ground, stop engine, remove key and set brake before dismounting tractor.
- Never allow children or untrained persons to operate equipment.
- If equipped, parking stands must be functional, kept in good repair, and stored on the unit. Park and store on a hard, level surface.

950-4178

3 - OPERATION

The core aerator is designed to allow better air and water circulation in grass surfaces, such as lawns, sports fields, municipal parks and golf courses. The core aerator uses case hardened closed spoons bolted on rotor flanges that are spaced 6.5" between each other. These spoons can remove up to a 3" plug. All models have two bronze bushings per rotor flange for increased wear life. This design will ensure an even aeration across the working width of the machine.

The BCA-048, BCA-060 and BCA-072 are designed to be mounted on a category 1 three point hitch or to be used with a category 1 Quick Hitch system. They come available in 48", 60" and 72" working widths and are compatible with tractors of 20 to 50 horsepower. Six aerating spoons per hub penetrate heavy thatch and tough soils to break up soil compaction and revitalize lawns. They are perfect for landscaping professionals and homeowners with big yards.

The BCA-260 and BCA-272 are designed to be mounted on a category 1 or 2 three point hitch or Quick Hitch system. They are available in 60" and 72" working width and are compatible with tractors of 20 to 70 horsepower. They work well on extra large lawns and high-traffic areas such as school grounds, municipal parks and sports fields. Eight spoons per hub allow you to work at faster speeds yet still get the desired aerification.

3.01 - Operational Safety



CAUTION: Our aerators are designed considering safety as the most important aspect and are the safest available in today's market. Unfortunately, human carelessness can override the safety features built into our machines. Injury prevention and work safety, aside from the features on our aerators, are very much due to the responsible use of the equipment. It must always be operated prudently following with great care, the safety instructions laid out in this manual.



1. The use of this equipment is subject to certain hazards which cannot be prevented by mechanical means or product design. All operators of this equipment must read and understand this entire manual, paying particular attention to safety and operating instructions, prior to using.
2. Do not operate the tractor and implement when you are tired, sick or when using medication.
3. Keep all helpers and bystanders at least several feet from the implement. Only properly trained people should operate this machine.

4. Accidents are most likely to occur with machines that are loaned or rented to someone who has not read the operator's manual and is not familiar with the implement.
5. Always stop the tractor, set brake, shut off the tractor engine, remove the ignition key, lower implement to the ground and allow moving parts to come to a complete stop before dismounting tractor. Never leave equipment unattended with the tractor running.
6. Never place hands or feet under implement with tractor engine running or before you are sure all motion has stopped. Stay clear of all moving parts.
7. Do not reach or place yourself under equipment until it is blocked securely.
8. Do not allow riders on the implement or tractor at any time. There is no safe place for riders.
9. Before backing up, look behind carefully.
10. Never operate tractor and implement under trees with low hanging limbs. Operators can be knocked off the tractor and then run over by the implement.
11. The rotating parts of this machine have been designed and tested for rugged use. However, they could fail upon impact with heavy, solid objects such as steel guard rails and concrete abutments. Such impact could cause the broken objects to be thrown outward at very high velocities. To reduce the possibility of property damage, serious injury, or even death, never allow the spoons to contact such obstacles.
12. Frequently check spoons. They should be sharp, free of nicks and cracks and securely fastened.
13. Stop implement immediately upon striking an obstruction. Turn engine off, remove key, inspect and repair any damage before resuming operation.
14. Stay alert for holes, rocks and roots in the terrain and other hidden hazards. Keep away from drop-offs.
15. Use extreme care and maintain minimum ground speed when transporting on hillside, over rough ground and when operating close to ditches or fences. Be careful when turning sharp corners.
16. Reduce speed on slopes and sharp turns to minimize tipping or loss of control. Be careful when changing directions on slopes. Do not start or stop suddenly on slopes. Avoid operation on steep slopes.
17. When using a unit, a minimum 20% of tractor and equipment weight must be on tractor front wheels. Without this weight, tractor could tip over, causing personal injury or death. The weight may be attained with a front end loader, front wheel weights, ballast in tires or front tractor weights. When attaining a minimum 20% of tractor and equipment weight on the front wheels, you must not exceed the ROPS weight certification. Weigh the tractor and equipment. Do not guess or estimate!
18. Inspect the entire machine periodically². Look for loose fasteners, worn or broken parts, and leaky or loose fittings.
19. Pass diagonally through sharp dips and avoid sharp drops to prevent "hanging up" tractor and implement.
20. Avoid sudden starts and stops while traveling up or downhill.
21. Always cut down slopes; never cross the face. Avoid operation on steep slopes. Slow down on sharp turns and slopes to prevent tipping and or loss of control.

² See Chapter 4 - Maintenance.

3.02 - Setup

Notice to dealer: Pre-delivery setup and service including lubrication is the responsibility of the authorized dealer. It is up to him to assure that the machine is in perfect condition and ready to be used. It is his responsibility to ensure that the customer is aware of all safety aspects and operational procedures for the implement. He must also fill out the Pre-Delivery Checklist³ prior to delivering the implement.



CAUTION: Stand clear of bands when cutting as they could be under sufficient tension to cause them to fly loose. Take care in removing bands and wire, they often have extremely sharp edges and cut very easily.

3.03 - Pre-Operational Check

IMPORTANT: Check each of the following, carefully, prior to engaging the equipment:

1. The double flanged rotors have been greased.
2. No wrappings or foreign objects are around the implement.
3. The spoons are properly installed and the bolts properly torqued⁴.
4. All hardware is tight.
5. No people or animals are in the work area.

3.04 - Attaching to the Tractor

Models BCA-048, BCA-060 and BCA-072 may be used on tractors with up to 50 horsepower and a category 1 three point hitch. Models BCA-260 and BCA-272 may be used on tractor up to 70 horsepower and a category 1 or 2 three point hitch.

Remove lower hitch pins (**see Parts Manual**) and back tractor up to implement. Once in position set parking brake, shut off engine, and remove key before dismounting to attach implement. Slide lower hitch arms of the tractor between the plates of the lower hitch. Replace lower hitch pins and secure with lynch pin. Attach top link of the tractor to the top of the "A" frame of the implement. Remove the pins (**see Parts Manual**) that retain the support stands and raise support stands. Reinstall the pins.



DANGER: Never attempt to attach the implement to the tractor or make any adjustments to it without first turning the tractor off.

³ See Chapter 7 - Pre-Delivery Checklist.

⁴ See Table 1, page 16.



DANGER: Failure to ensure a secure coupling of the implement to the tractor can cause injury and damage to the implement or tractor.

3.05 - Start Up



DANGER: Never allow anyone around the implement when it is in operation.



CAUTION: Before starting work, clear the area of any obstacles or foreign objects.



CAUTION: For emergency reasons, learn how to stop the tractor and implement quickly.

Before starting to work, never forget that the **operator is responsible** for the following:

1. Safe and correct driving of the tractor and implement.
2. To learn precise safe operating procedures for both the tractor and the implement.
3. To ensure all maintenance and lubrication has been performed on the implement.
4. To have read and understood all safety aspects for the implement in the operator's manual.
5. To have read and understood all safety decals on the implement.
6. Checking the condition of the spoons. Worn or damaged spoons should be changed before starting.
7. Checking that there is no wire, weed, grass or other material wrapped around spoons.
8. Checking to see if front weights need to be added to the tractor in order to maintain balance.
9. Checking the tractor tires for the proper pressure in accordance with the tractor operator's manual.
10. Making sure the proper attire is worn. Avoiding loose fitting clothing which can become entangled. Wearing sturdy, tough-soled work shoes and protective equipment for eyes, hands, ears and head. Never operate tractor or implements in bare feet, sandals or sneakers.
11. Checking area for stones, branches and other debris that might be thrown.
12. Ensuring proper lighting is available, sunlight or good artificial lighting.

3.06 - Working Speed

Ground speed is determined by the soil condition, depth of aeration and tractor power. Simple experimentation will determine the best speed for the desired results, usually 2 to 5 mph.

When using the aerator the spoons need to make a continuous pattern, if there is some skipping you need to slow down the ground speed.

3.07 - Operating Techniques

When the headland is reached, it is important that the following be observed:

1. Raise the machine from the ground and as soon as the blades leave the ground, turn the tractor facing the new desired direction of travel.
2. Begin working again.

NOTE: Best practice dictates that the machine be lifted no more than just enough to clear the ground.

3.08 - Uneven Terrain



DANGER: Be careful of rollover when operating tractor and implement over uneven ground.

The following precautions should always be observed when working on uneven terrain:

1. In extremely uneven terrain rear wheel weights, front tractor weights, and/or tire ballast should be used to improve stability.
2. Observe the type of terrain and develop a safe working pattern.
3. Whenever traction or stability is doubtful, first test drive over the terrain.
4. Operate the implement up and down steep slopes, not across slopes, to prevent the tractor from tipping. Avoid sudden stops and starts, slow down before changing directions on a slope.
5. Pass diagonally through sharp dips and avoid sharp drops to prevent hanging up the tractor and implement.
6. Slow down on sharp turns and slopes to prevent tipping or loss of control.
7. Watch for holes, roots or other hidden objects. Do not use near the edge of a gully, ditch or stream bank.

4 - MAINTENANCE



DANGER: Stop engine, lock parking brake and remove key before performing any service or maintenance.

Never rely on the tractor lift system. Install blocks or stands under the implement to prevent it from falling.

Always use personal protection devices, such as glasses or gloves when performing maintenance.

Keep fingers out of slots to prevent injury.

4.01 - Maintenance Safety



1. Good maintenance is your responsibility.
2. Keep service area clean and dry. Be sure electrical outlets and tools are properly grounded. Use adequate light for the job at hand.
3. Make sure there is plenty of ventilation. Never operate the engine of the towing vehicle in a closed building. The exhaust fumes may cause asphyxiation.
4. Make no repair or adjustments with the tractor engine running. Before working on the machine, shut off the engine, set the brakes, and remove the ignition key.
5. Be certain all moving parts on attachment have come to a complete stop before attempting to perform maintenance.
6. Never work under equipment unless it is blocked securely.
7. Always use personal protection devices such as eye, hand and hearing protectors, when performing any service or maintenance.
8. Frequently check spoons. They should be sharp, free of nicks and cracks and securely fastened.
9. Periodically tighten all bolts, nuts and screws and check that all cotter pins are properly installed to ensure unit is in a safe condition.
10. After servicing, be sure all tools, parts and service equipment are removed.
11. Never replace hex bolts with less than grade five bolts unless otherwise specified, i.e. shear bolts⁵.
12. Where replacement parts are necessary for periodic maintenance and servicing, genuine replacement parts must be used to restore your equipment to original specifications. The company will not claim responsibility for use of unapproved parts and/or accessories and other damages as a result of their use.

⁵ Refer to Table 1 - Torque Specifications page 16.

13. Unauthorized modifications to the machine may impair the function and/or safety of the machine and reduce its life. If equipment has been altered in any way from original design, the manufacturer does not accept any liability for injury or warranty.

4.02 - Service

The chart below gives the frequency of lubrication in hours, based on normal operating conditions. Severe or unusual conditions may require more frequent lubrication. Use a good quality SAE multipurpose type grease for all locations shown. Be sure to clean fittings thoroughly before using grease gun.

Hourly or whenever an obstacle is hit:

1. Check machine condition, particularly the spoons.
2. Replace any damaged or worn spoon.
3. Remove any wrapping (stalks, weeds, trash, etc.) from rotor.

Every 8 hours:

Grease the double flanged rotor. Apply two or three shots of grease to the rotor.

Every 25 hours:

Hardware tightness: vibration can loosen bolts⁶. Check tightness of the hardware periodically⁷.

Every 50 hours:

Check the spoons for excessive wear or damage. Be sure the rotor turns freely.

4.03 - Transport



CAUTION: Do not tow tractor and implement behind other vehicles. Use a properly equipped trailer with heavy tie-downs for towing operations.







Before transporting:

1. Always select a safe ground speed that is appropriate for the terrain.
2. Beware of traffic on public roads. Install a SMV (Slow Moving Vehicle) sign when traveling on roads or streets. Comply with all federal, state and local laws.
3. Reduce ground speed when turning and take care that the implement does not strike obstacles such as trees, fences or buildings.

⁶ See Table 1, page 16.

⁷ See Table 1, page 16.

TABLE 1 - TORQUE SPECIFICATIONS

Metric (ISO) treaded bolts head marking							Inch (SAE) treaded bolts head marking								
	Class 5.8		Class 8.8		Class 10.9			Grade 2		Grade 5		Grade 8			
Bolt size mm	Thread mm	N.m	ft-lb	N.m	ft-lb	N.m	ft-lb	Bolt size inch	Thread inchi tpi	N.m	ft-lb	N.m	ft-lb	N.m	ft-lb
M5	0.8	4	3	6	4	9	7	1/4"	20	7	5	11	8	16	12
M6	1	6	4	10	7	15	11	1/4"	28	8	6	13	10	19	14
M8	1.25	16	12	25	18	36	27	5/16"	18	15	11	24	17	33	25
M8	1	17	13	26	19	38	28	5/16"	24	17	13	26	19	37	27
M10	1.5	31	23	48	35	71	52	3/8"	16	27	20	42	31	59	44
M10	1.25	33	24	51	38	75	55	3/8"	24	31	23	47	35	67	49
M10	1	35	26	53	39	78	58	7/16"	14	43	32	67	49	95	70
M12	1.75	54	40	84	62	123	91	7/16"	20	48	36	75	55	106	78
M12	1.5	56	41	87	64	128	94	1/2"	13	66	48	102	75	144	106
M12	1.25	59	44	90	66	133	98	1/2"	20	75	55	115	85	163	120
M14	2	84	62	133	98	195	144	9/16"	12	95	70	147	109	208	154
M14	1.5	94	69	142	105	209	154	9/16"	18	106	79	164	121	232	171
M16	2	131	97	206	152	302	223	5/8"	11	132	97	203	150	287	212
M16	1.5	141	104	218	161	320	236	5/8"	18	149	110	230	170	325	240
M18	2.5	181	133	295	218	421	310	3/4"	10	233	172	361	266	509	376
M18	2	196	145	311	229	443	327	3/4"	16	261	192	403	297	569	420
M18	1.5	203	150	327	241	465	343	7/8"	9	226	167	582	430	822	606
M20	2.5	256	189	415	306	592	437	7/8"	14	249	184	642	473	906	668
M20	1.5	288	212	454	335	646	476	1"	8	339	250	873	644	1232	909
M22	2.5	344	254	567	418	807	595	1"	12	371	273	955	704	1348	995
M22	1.5	381	281	613	452	873	644	1-1/8"	7	480	354	1077	794	1746	1288
M24	3	444	327	714	526	1017	750	1-1/8"	12	539	397	1208	891	1958	1445
M24	2	488	360	769	567	1095	808	1-1/4"	7	677	500	1519	1120	2463	1817
M27	3	656	484	1050	774	1496	1103	1-1/4"	12	750	553	1682	1241	2728	2012
M27	2	719	530	1119	825	1594	1176	1-3/8"	6	888	655	1992	1469	3230	2382
M30	3.5	906	668	1420	1047	2033	1499	1-3/8"	12	1011	746	2268	1673	3677	2712
M30	2	1000	738	1600	1180	2250	1659	1-1/2"	6	1179	869	2643	1949	4286	3161
M36	4	1534	1131	2482	1830	3535	2607	1-1/2"	12	1326	978	2974	2194	4823	3557

When using lock washers with nuts, increase torque values by 5%

TABLE 2 - CORE AERATOR - TECHNICAL FEATURES

Standard Duty, for tractors up to 50 HP, 3 point hitch cat. 1							
Model	Working width	Overall width	Weight lb.	# of Hubs	# Spoons	Spoon Penetration	Additional Weight area
BCA-048	48"	54"	284	4	48	4 1/2"	19" x 15"
BCA-060	60"	65"	357	5	60	4 1/2"	19" x 15"
BCA-072	72"	78"	401	6	72	4 1/2"	25" x 15"

Heavy Duty, for tractors up to 70 HP, 3 point hitch cat. 1 or cat. 2							
Model	Working width	Overall width	Weight lb.	# of Hubs	# Spoons	Spoon Penetration	Additional Weight area
BCA-260	60"	65"	444	5	80	4 1/2"	19" x 21"
BCA-272	72"	78"	549	6	96	4 1/2"	25" x 21"

TABLE 3 - OPTIONAL EQUIPMENT

Optional Equipment			
Model	Description	Ballast	# Required
009-9731	Steel weight tank (forBCA-048)	Sand Only	2
009-9732	Steel weight tank (forBCA-060)	Sand Only	2
009-9733	Steel weight tank (forBCA-072)	Sand Only	2
009-9734	Steel weight tank (forBCA-260)	Sand Only	2
009-9735	Steel weight tank (forBCA-272)	Sand Only	2

5 - REPAIR PROCEDURES



CAUTION: All repair procedures must be done by authorized dealerships. It is not recommended that untrained individuals perform any repair work.

5.01 - Suggested Spare Parts

It is suggested that the following spare parts be kept on hand for the implement at all times to prevent a minor problem from delaying work.

Description	Quantity
Aerating spoons	6
Spoon bolts	12
Spoon nuts	12

5.02 - Storage

After seasonal use it is important to perform the following for prolonged storage:

1. Wash the implement carefully.
2. Inspect the implement and replace worn or damaged parts.
3. Tighten all hardware.
4. Grease all areas indicated under Maintenance ⁸.
5. When placing machine in storage, lower all three foot stand and secure them with the lock pins before lowering the unit to the ground.
6. Cover the implement from the elements in order to have it in perfect condition for the start of the next season.



WARNING: Be sure to store the implement on a hard level surface and away from people especially children.

⁸ See Chapter 4 - Maintenance.

6 - TROUBLESHOOTING



WARNING: Be sure tractor engine is off, parking brake is locked, and key is removed before making any adjustments.

PROBLEM	POSSIBLE CAUSE	SOLUTION
Spoons become bent sideways.	Implement not raised properly prior to turning.	Raise implement so that the spoons do not come in contact with the ground when turning.
Spoons won't penetrate ground surface.	Soil condition is extremely packed. "A" frame of tractor may be lowered too far thus not allowing the spoons to carry the weight of the machine Spoons may be clogged.	Run sprinkler over desired working area to moisten the soil. Use of optional weight cans filled with sand mounted on top of your unit. Raise three point so that unit operates near parallel with ground. Properly clean spoons prior to use.
Frame and/or spoons bending.	Unit may have been damaged due to use over a concrete surface.	Do not operate over hard surfaces. Ensure working area is free of solid objects like stumps, rocks, etc.

7 - PRE-DELIVERY CHECKLIST

To the dealer: Inspect the machine thoroughly after assembly to assure it is functioning properly before delivering it to the customer. The following checklist is a reminder of points to cover. Check off each item as it is found satisfactory or after proper adjustment is made.

- Guards and shield properly fastened.
- Lubrication of grease fittings.
- All hardware properly tightened.
- All decals properly located and readable (**see fig. 2**).
- Spoons properly installed, bolts and nuts tightened.
- Overall condition (touch up scratches, clean and polish).
- Test run, check for excessive vibration or overheating of bearings.
- Operator's Manual.

Review the Operator's Manual with the customer. Explain the following:

- Warranty.
- Safe operation and service.
- Correct machine installation and operation.
- Daily and periodic lubrication, maintenance and inspections.
- Troubleshooting.
- Operational procedures and storage.
- Parts and service.
- Fill out the Pre-Delivery Checklist and Warranty Registration form.
- Give customer the Operator's Manual and encourage the customer to read the manual carefully.

IMPORTANT: Warranty is not valid unless Pre-Delivery Checklist and Warranty Registration Form in operator's manual is completed in detail and mailed to the Company.

Model Number: _____

Serial Number: _____

Delivery Date: _____

Dealer's Signature: _____

8 - WARRANTY

BEFCO's responsibility will be limited to substitution of the acknowledged defective merchandise to the same place of delivery as the previous one was supplied.

1. LIMITED WARRANTY

BEFCO, Inc. herein referred to as the Company, warrants its machines and related accessories, hereafter referred to as the Machine, to be free from defects in material and workmanship, for a period of twelve (12) months from the date of invoice to the first registered owner; this limited warranty does not apply to common wear items and excludes belts, shear pins, oil, grease, tires, tubes, hydraulic hoses, knives and PTO shafts.

Labor will be reimbursed at \$40.00 per hour based on BEFCO's time schedule.

Cost of transport to the servicing dealer is the responsibility of the customer.

Warranty coverage shall not be transferable from the first owner to any subsequent owner.

2. DISCLAIMER OF ALL OTHER WARRANTIES AND REMEDIES

Neither the Company nor any company affiliated with the Company makes any warranties, representations or promises, expressed or implied, as to the quality, performance or application of its products other than those set forth herein and does not make any implied warranty of merchantability or fitness.

The only remedies the purchaser has in connection with the breach, or performance of any warranty on the Company's Machine are those set forth herein. In no event will the dealer, the Company, or any company affiliated with the Company, be liable for:

- a. Injuries or damages of any kind or nature, direct, consequential or contingent to person or property.
- b. Any expenses incurred by the owner to repair, replace or rework any allegedly defective item.
- c. Any loss, cost, forfeiture or damages (including loss of profits; loss of crops; loss because of delay in field operations; any expenses or loss incurred for labor, supplies, substitute machine rental; liabilities of the owner to its customers or third persons; and all other consequential damages, losses, liabilities or damages for any other reasons) whether direct or indirect, and whether or not resulting from or contributed to by the default or negligence of the Company, its agents, employees and subcontractors which might be claimed as a result of the use or failure of the equipment delivered.

The Company's liability based on this limited warranty or any other applicable laws shall be limited to replacement or refund of the purchase price of the product.

The limited warranty extended herein gives you specific rights and you may also have other rights which vary from state to state. Neither the dealer nor the Company personnel has the authority to make any representation or to modify the terms and limitations of this warranty in any way.

Other than the limited warranty extended hereby there is no other expressed warranty in connection with the design, safety or use of any of the Company's products except as to title. All implied warranties are expressly disclaimed pursuant to the terms of this warranty.

3. CUSTOM WORK

If the Machine is used for commercial purposes such as custom work, the period warranted for the Machine is limited to six (6) months from the date of delivery to the first registered owner and does not cover any labor charges incurred.

4. RENTAL

If the Machine is used for rental purposes the period warranted for the Machine is limited to thirty (30) days from the date of delivery to the first registered owner and does not cover any labor charges incurred.

5. REGISTRATION

In order to qualify for coverage on this limited warranty, the product and name of the original purchaser must be registered with the Company by a completed Machine Pre-Delivery Checklist and Warranty Registration along with a copy of the dealer's invoice to the first registered owner to the Company within fourteen (14) days after the date of delivery to the original purchaser.

6. WARRANTY SERVICE

Warranty Service must be performed by a dealer authorized by BEFCO. If the warranty service requested is approved, the owner shall pay only for labor beyond the rate allowed, for overtime labor, and for any mileage charge for transporting the equipment to and from the dealer's shop. It is assumed that the dealer has the appropriate general and special tools to service the machine. Time required for replacement of knives, oil, grease and to remove excessive dirt from the Machine is not subject to reimbursement by the Company. The owner is required to clean the Machine before presenting it to the dealer for service work. The Machine must be delivered within thirty (30) days after failure date by the owner to the dealer to be eligible for warranty consideration.

7. UNAPPROVED SERVICE OR MODIFICATION

All obligations of the Company under this limited warranty shall be terminated if:

- a. Proper service and operation instructions as outlined in the Operator's Manual and on the instruction sticker on the Machine, are not followed.
- b. The Machine is modified or altered in any way not approved by the Company.
- c. The Company does not receive a copy of the dealers invoice to the first registered owner within fourteen (14) days from the date of delivery.
- d. The Company has not been paid in full, by the dealer, for the Machine.

8. ACCIDENTS AND NORMAL MAINTENANCE

This limited warranty covers defective material and workmanship. It does not cover depreciation or damage caused by normal wear, accidents, improper maintenance, improper protection or improper use. The costs of normal maintenance or repairs for accidents or improper use, and related labor will be borne by the owner.

9. REPLACEMENT PARTS

BEFCO, Inc. warrants replacement parts to be free from defect in material and workmanship for a period of thirty (30) days from the date of delivery to the original purchaser.

WARRANTY REGISTRATION

BEFCO, Inc.

P.O. Box 6036

Rocky Mount, NC 27802-6036

Tel: (252) 977.9920 - Fax: (252) 977.9718

Dealer	Acct. #	Retail Customer
Street	Country	Street
Town	State Zip	Town State Zip
Date of delivery	Invoice #	Phone
Model #	Serial #	
<p>Pre-Delivery Checklist:</p> <p><input type="checkbox"/> Greased fittings.</p> <p><input type="checkbox"/> Safety guards in place.</p> <p><input type="checkbox"/> All hardware tight.</p> <p><input type="checkbox"/> Bolts torqued correctly.</p> <p><input type="checkbox"/> Attached unit to tractor. Yes/No.</p> <p><input type="checkbox"/> Field adjusted. Yes/No.</p> <p><input type="checkbox"/> Test run. Dry/Infield.</p> <p><input type="checkbox"/> Safety decals.</p> <p><input type="checkbox"/> Operator's Manual.</p> <p>The machine described above, had been prepared for delivery according to the Pre-Delivery Checklist and the Customer has been instructed in its care and operation and the condition of warranty.</p>		<p>Tractor make: _____</p> <p>Model: _____; HP _____</p> <p>Type of operation: Private homeowner, Landscaping, Commercial maintenance, Golf Course, Municipality, Turf Farm, others: _____</p> <p>Approximate number of acres machine will be used on annually: _____</p> <p>I hereby acknowledge that: I have received and accepted delivery of the machine described. The equipment was checked thoroughly for loose or missing parts and has been adjusted in accordance with the Pre-Delivery Checklist. I have read and understand the nature and extent of the warranty and understand clearly that there were and are no other representations of warranties either expressed or implied, made by anyone. I have been advised on proper operation, maintenance and lubrication procedure of this equipment. I have been instructed on and do understand the application, limitation and capacities this equipment was designed and recommended for, all as described in the Operator's Manual and literature published by the Company.</p>
Inspected by: _____		
Date: _____		Date: _____
Dealer's Signature: _____		Customer's Signature: _____

This registration along with a copy of the invoice must be sent to BEFCO, Inc. within 14 days of date of purchase.

Sender:

Fold here

*Place stamp
here*

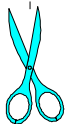
BEFCO, Inc.

Warranty Department

P.O. Box 6036

Rocky Mount, NC 27802-6036

Cut along this line



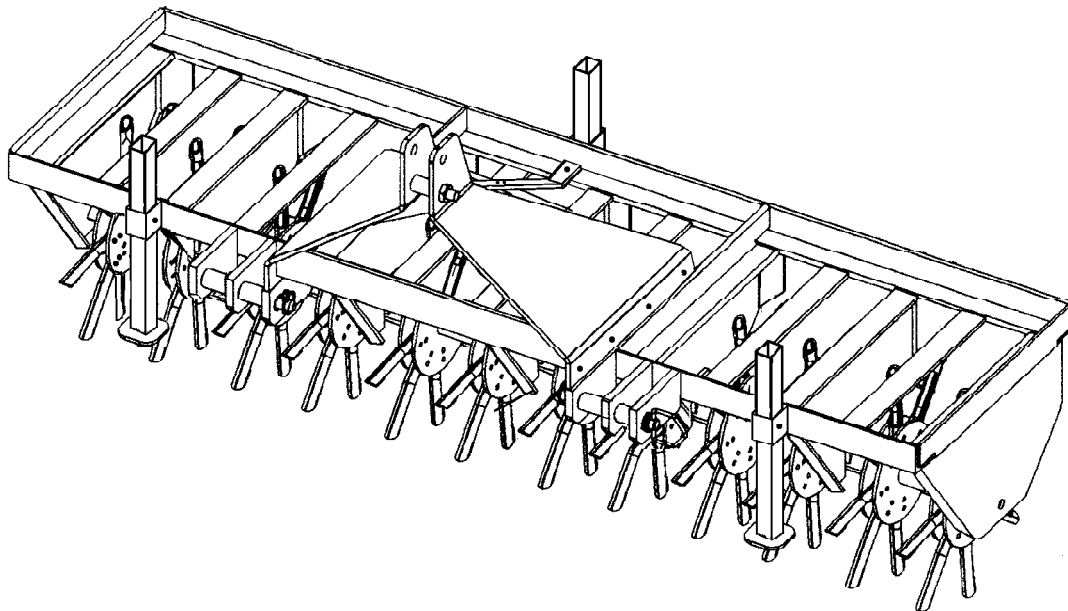
BEFCO®

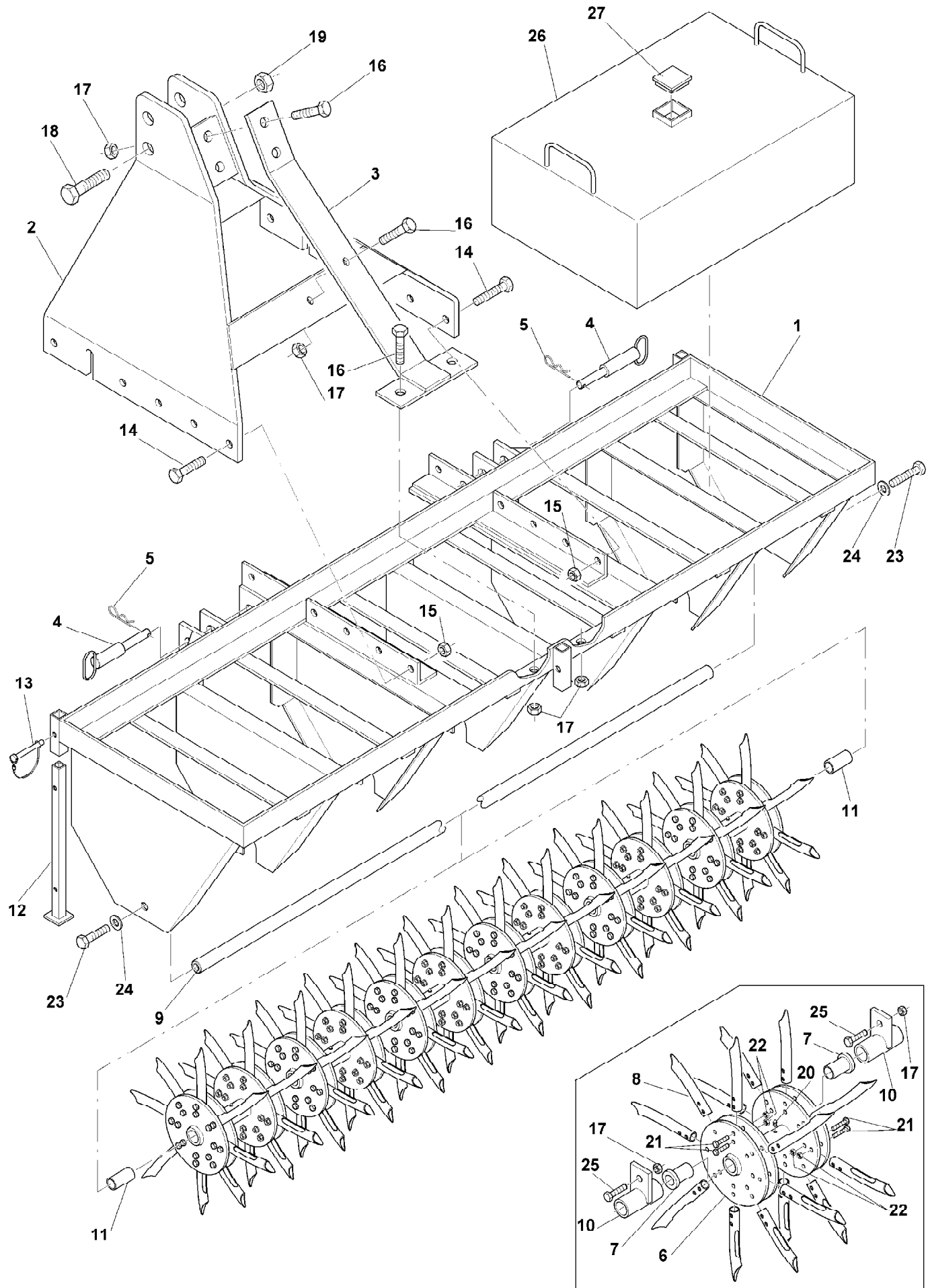
Parts Manual

GROUND ENGAGE EQUIPMENT

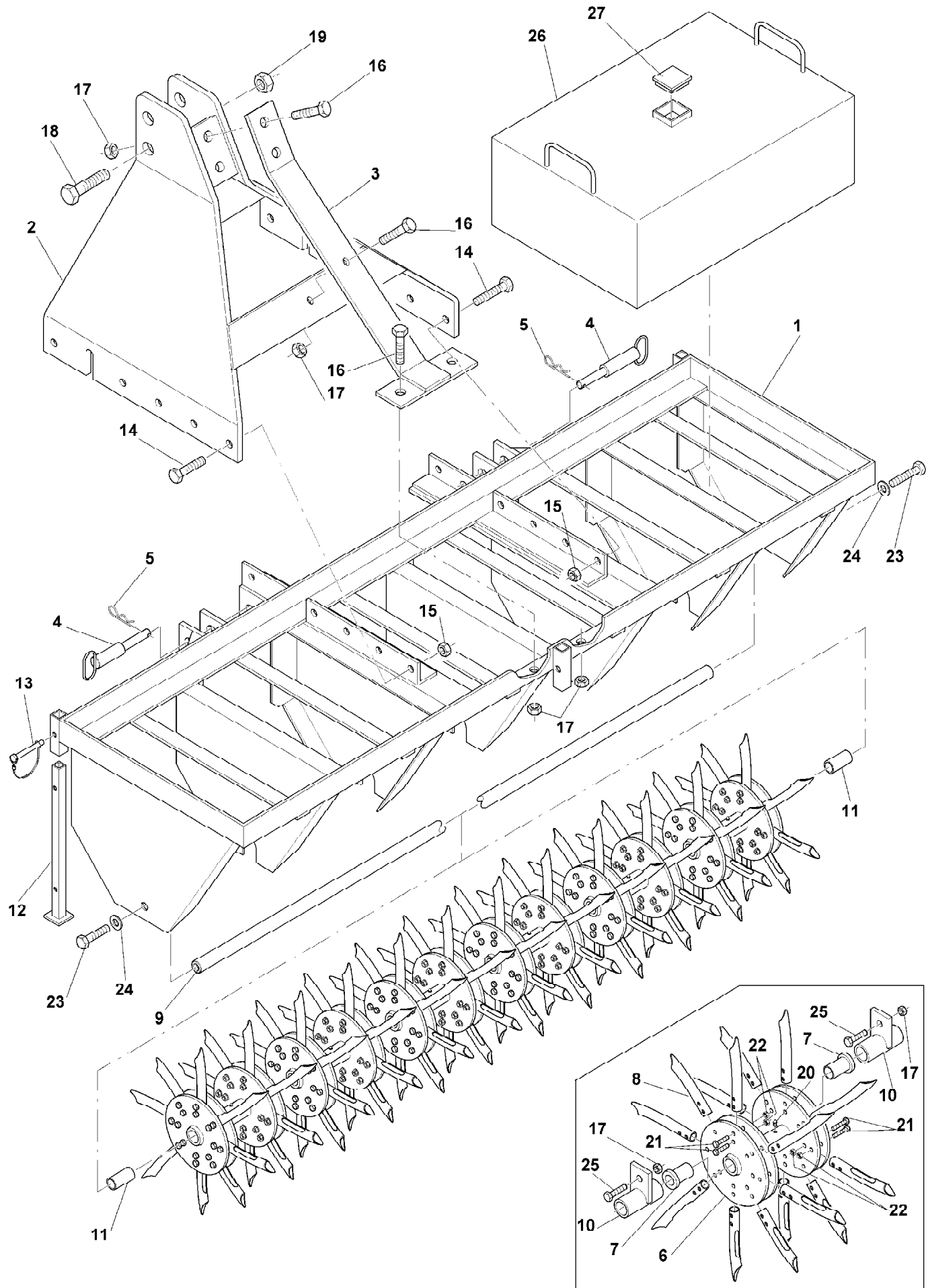
Core Aerators

BCA-048, BCA-060, BCA-072
BCA-260, BCA-272





Ref.	Part #	Description	Qty.
1	001-6111	Frame BCA-048	1
	011-6111	Frame BCA-060	1
	021-6111	Frame BCA-072	1
	011-6271	Frame BCA-260	1
	021-6271	Frame BCA-272	1
2	001-6141	A-frame BCA-048, BCA-060 & BCA-072	1
	001-6301	A-frame BCA-260 & BCA-272	1
3	001-6360	A-frame rear strap BCA-260 & BCA-272 (only)	1
4	503-879B	Hitch pin BCA-048, BCA-060 & BCA-072	2
	001-6315	Hitch pin BCA-260 & BCA-272	2
5	009-1507	R shaped cotter pin Ø4	2
6	001-6160	Double flanged rotor BCA-048	4
	001-6160	Double flanged rotor BCA-060	5
	001-6160	Double flanged rotor BCA-072	6
	001-6320	Double flanged rotor BCA-260	5
	001-6320	Double flanged rotor BCA-272	6
7	001-6164	Bronze bushings BCA-048	8
	001-6164	Bronze bushings BCA-060 & BCA-260	10
	001-6164	Bronze bushings BCA-072 & BCA-272	12
8	001-6166	Spoon (6 per flange on BCA-048, BCA-060 & BCA-072)	-
	001-6166	Spoon (8 per flange on BCA-260 & BCA-272)	-
9	001-6171	Rotor shaft BCA-048	1
	011-6171	Rotor shaft BCA-060	1
	021-6171	Rotor shaft BCA-072	1
	011-6331	Rotor shaft BCA-260	1
	021-6331	Rotor shaft BCA-272	1
10	001-6176	Rotor inner spacer BCA-048	3
	001-6176	Rotor inner spacer BCA-060	4
	001-6176	Rotor inner spacer BCA-072	5
	001-6336	Rotor inner spacer BCA-260	4
	001-6336	Rotor inner spacer BCA-272	5
11	001-6180	Rotor outer spacer	2
12	001-6182	Foot stand BCA-048, BCA-060 & BCA-072	3
	001-6342	Foot stand BCA-260 & BCA-272	3
13	001-1333	Cotter pin Ø10x70	3
14	007-4232	Bolt TE 14x40	-
15	003-0358	Nut M14	-
16	002-3265	Bolt TE 12x40 BCA-260 & BCA-272 (only)	5
17	003-0156	Nut M10 BCA-048, BCA-060 & BCA-072	-
	003-0064	Nut M12 BCA-260	9
	003-0064	Nut M12 BCA-272	10
18	005-1953	Bolt TE 20x110	1
19	000-5507	Nut M20	1
20	005-1129	Grease fitting	-
21	001-4427	Bolt TE M8x45 BCA-048, BCA-060 & BCA-072	-
	001-4490	Bolt TE M8x50 BCA-260 & BCA-272	-
22	009-1384	Locking nut M8	-
23	006-4377	Bolt TE 18x45	2
24	000-3366	Lock washer Ø18	2
25	000-1278	Bolt TE 10x30 BCA-048, BCA-060 & BCA-072	-
	001-5255	Bolt TE 12x30 BCA-260 & BCA-272	-



Ref.	Part #	Description	Qty.
26	001-6190	Weight canister (Option) BCA-048	2
	001-6200	Weight canister (Option) BCA-060	2
	001-6210	Weight canister (Option) BCA-072	2
	001-6370	Weight canister (Option) BCA-260	2
	001-6380	Weight canister (Option) BCA-272	2
27	002-8150	Plastic cap (Option)	2
	503-889B	Core aerator safety decal set	1
	950-406B	Decal "WARNING - Falling off"	1
	950-407B	Decal "WARNING - Crushing and pinching hazard"	1
	950-417B	Decal "CAUTION - To avoid serious injury"	1
	950-107B	Decal "BEFCO" medium	2
	950-104B	Decal "B" medium	2
	950-940B	Decal "Quick Hitch Compatible"	1
	950-824B	Decal "BCA"	1
	950-283B	Decal "048"	1
	950-274B	Decal "060"	1
	950-285B	Decal "072"	1
	950-270B	Decal "260"	1
	950-247B	Decal "272"	1
	950-381B	Decal "BEFCO INC" address	1
	950-358B	Decal "Made in USA"	1
	971-212B	Operator's & Parts Manual BCA-048, BCA-060, BCA-072, BCA-260, BCA-272	1

Use only original spare parts

All rights reserved. It is unlawful to copy, reprint or use any of the information or details in this manual without the expressed written permission of the Company. Technical information provided in this manual is approximate, the Company reserves the right to modify or improve the models shown for technical or commercial purposes. Pictures in this manual do not necessarily show the machine as delivered.

BEFCO[®]

P.O. Box 6036

Rocky Mount, NC 27802-6036

Tel.: 252.977.9920 - Fax: 252.977.9718

www.befco.com

