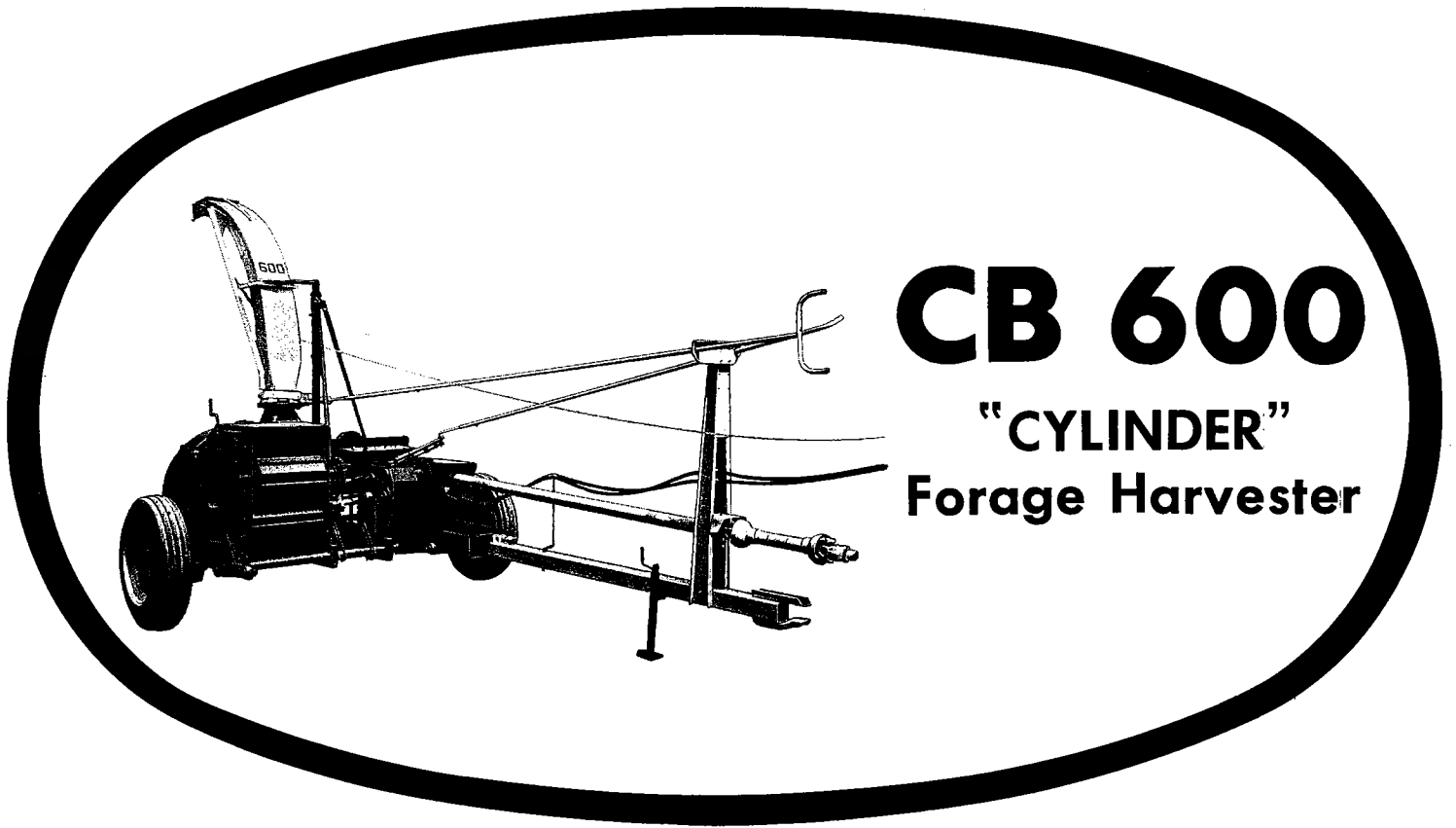




# service parts manual

FORM NO. 042915

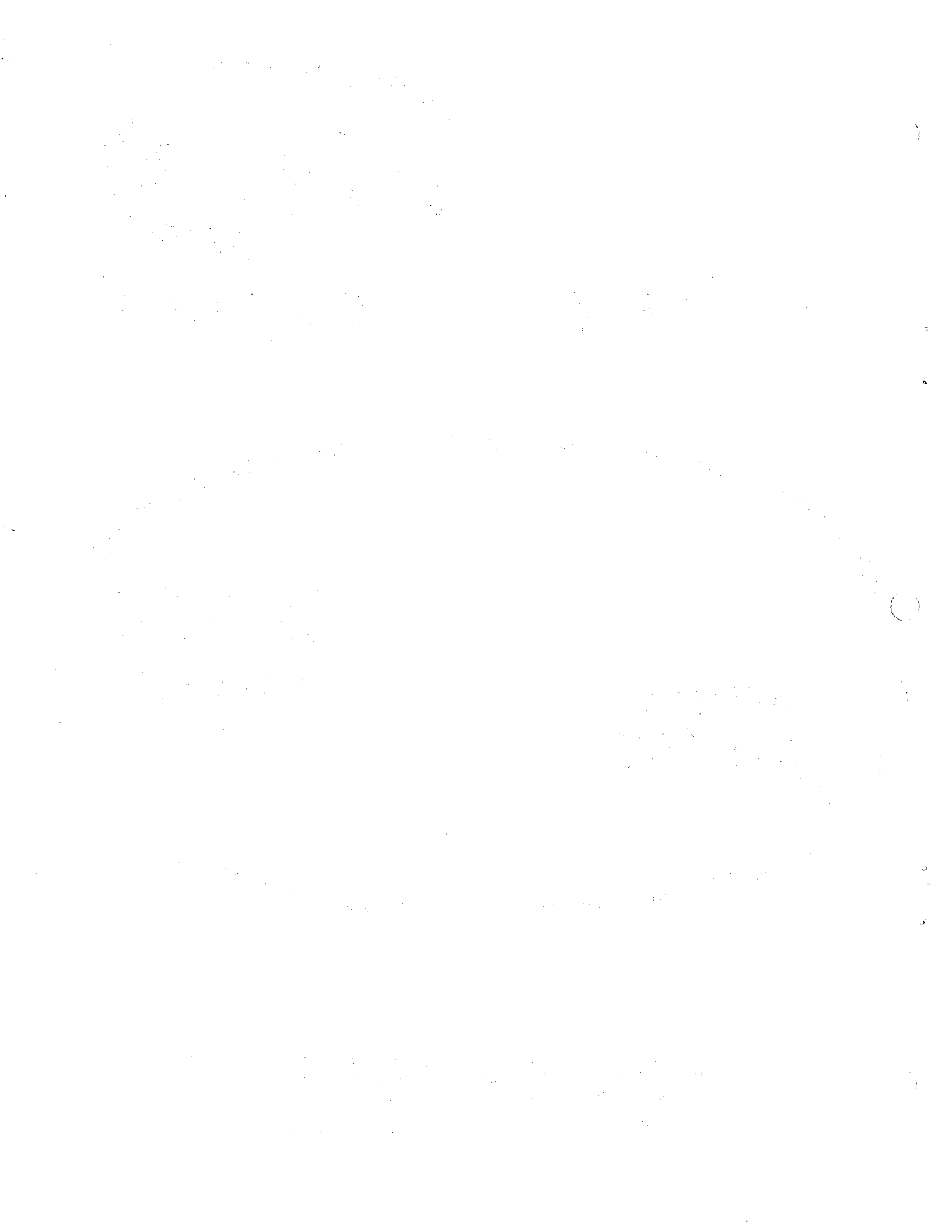


## CB 600

"CYLINDER"  
Forage Harvester

# GEHL COMPANY

WEST BEND, WISCONSIN 53095 U.S.A.



## Mr. Dealer:

Give complete information when ordering service parts. Always give complete part number and also complete part description. The model number and serial number should always be given. Numbers for this unit are stamped on a plate located on the right side of the Main Frame adjacent to the Cylinder Shaft Bearing.

"Right" and "Left" are determined from a position standing behind the unit and facing toward the Drawbar Hitch. From this position, the Transmission and Drive are on the "Left" side.

**NOTE:** You will find common hardware such as nuts, bolts, etc. listed but not illustrated in parts lists in this manual. Hardware listed with the particular parts is for mounting purposes and is not included when the part is ordered for replacement.

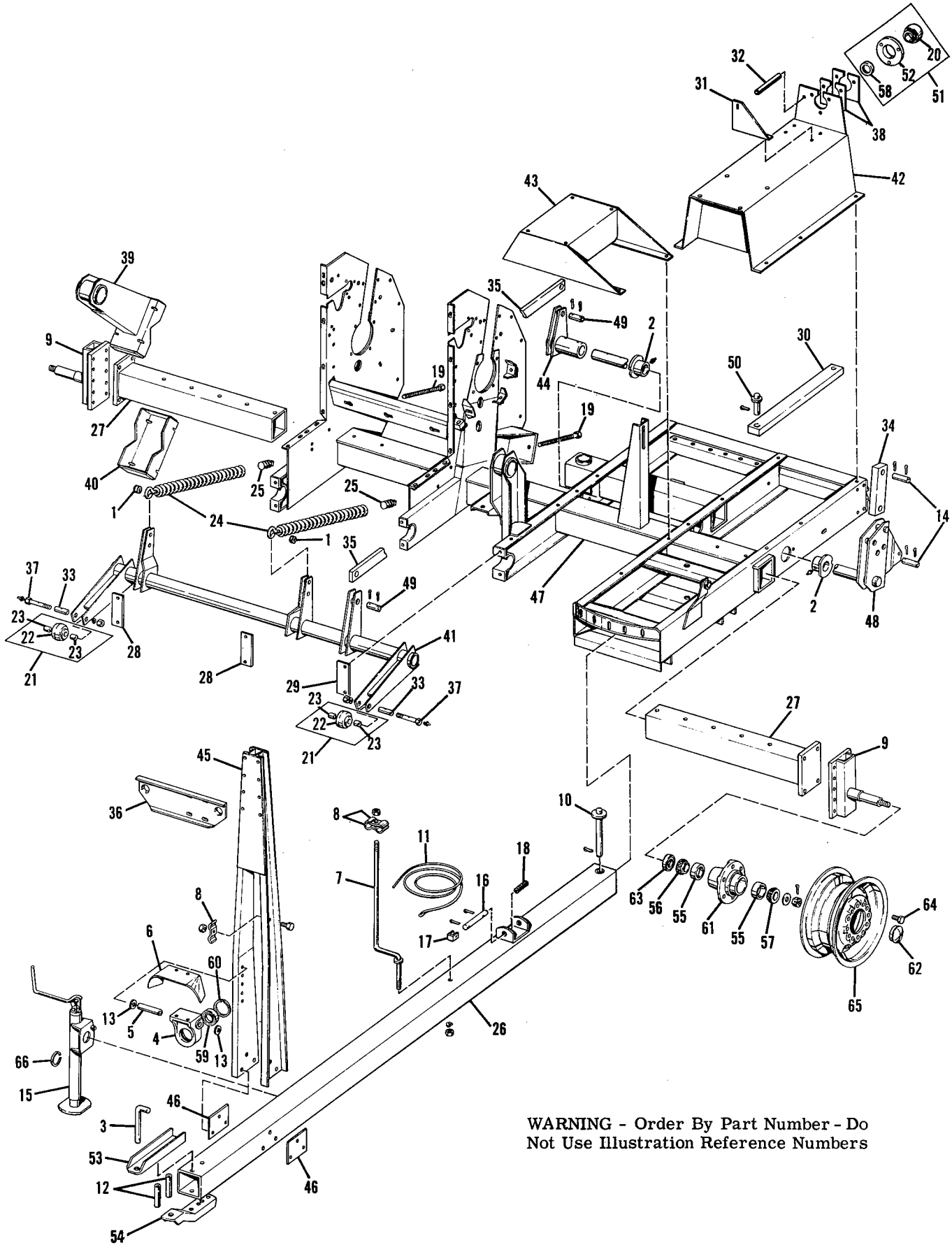
Gehl Company reserves the right to make changes or improvements in the design or construction of any part without incurring the obligation to install such changes on any unit previously delivered.

## TABLE OF CONTENTS

	Page
Introduction .....	3
Frame and Axle .....	4-5
Roller and Roller Drive .....	6-7
Cylinder .....	8-9
Blower and Outlet .....	10-11-12
PTO and Drive .....	13-14-15
Transmission .....	16-17-18



# CB600-FRAME AND AXLE



**WARNING - Order By Part Number - Do Not Use Illustration Reference Numbers**

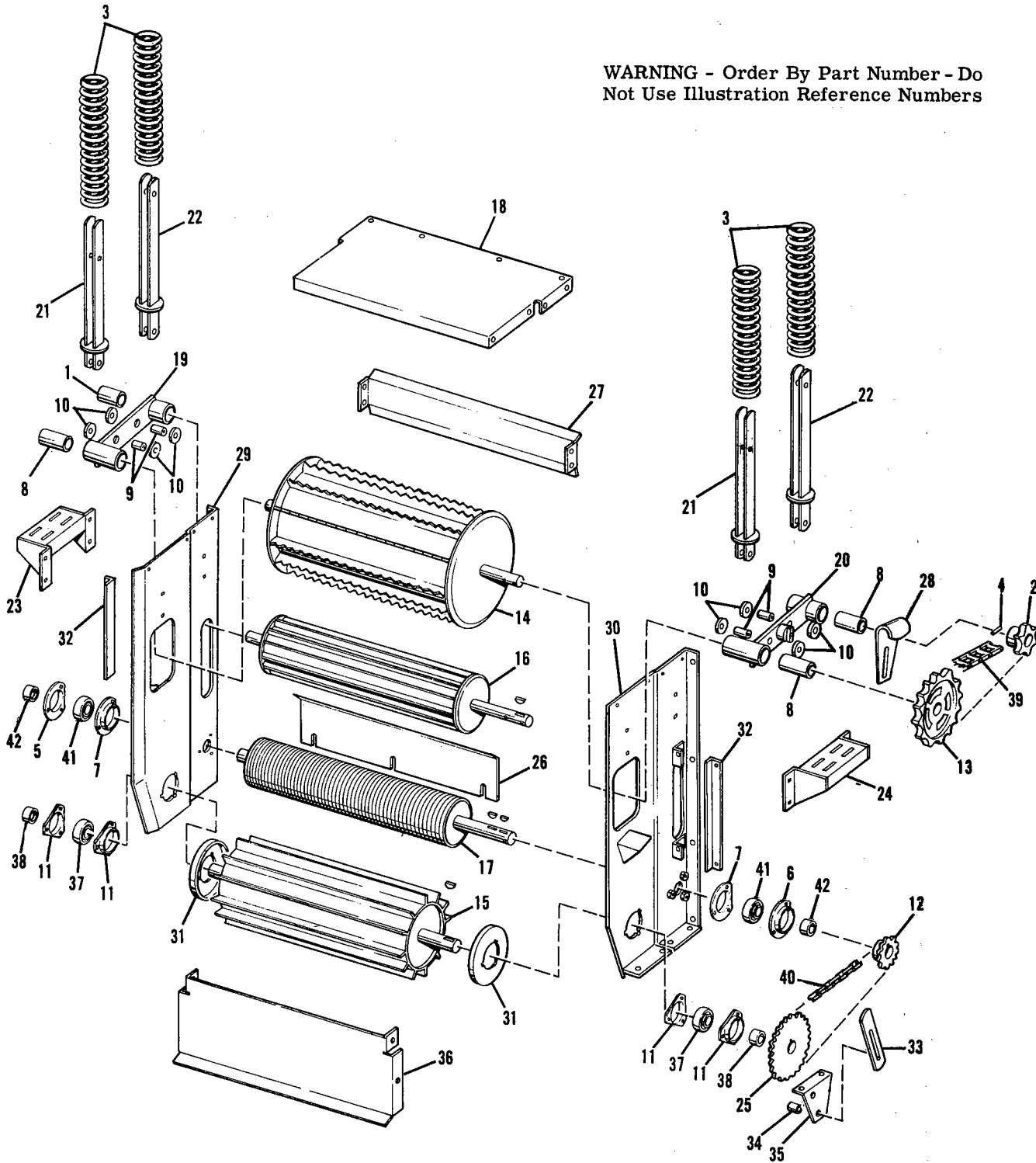
# CB600-FRAME AND AXLE

Ref. No.	Part No.	Part Name	No. Req.	Ref. No.	Part No.	Part Name	No. Req.
1	17H325	Spring Pivot Bushing . . . . .	2	34	043190	Lift Link . . . . .	1
2	H623D	Lift Crank Bearing . . . . .	2	35	043193	Lift Drag Link . . . . .	1
	570003	Grease Fitting . . . . .	2	36	043194	Control Bracket . . . . .	1
	650027	Hex. Hd. Cap Screw 5/16 x 1 . . . . .	2		650059	Hex. Hd. Cap Screw 3/8 x 1 . . . . .	4
	653006	Hexagon Nut - 5/16 . . . . .	2		653009	Hexagon Nut - 3/8 . . . . .	4
	654023	Lock Washer - 5/16 . . . . .	2		654025	Lock Washer - 3/8 . . . . .	4
3	H678	Drawbar Pin . . . . .	1	37	043195	Lift Roller Bolt 5/8 x 3-1/2 . . . . .	2
4	H6031	Drive Bearing Housing . . . . .	1		570011	Grease Fitting . . . . .	2
	650159	Hex. Hd. Cap Screw 5/8x5-1/2 . . . . .	1		653020	Hexagon Nut - 5/8 . . . . .	2
	653020	Hexagon Nut - 5/8 . . . . .	1		654031	Lock Washer - 5/8 . . . . .	2
	654031	Lock Washer - 5/8 . . . . .	1	38	043196	Bearing Spacer . . . . .	2
5	H6032	Universal Drive Pivot Bushing . . . . .	1	39	043197	Attachment Support Arm . . . . .	1
6	H6040C	Drive Bearing Guard . . . . .	1		652129	Hex. Hd. Mach. Bolt 1/2 x 9 . . . . .	4
	650024	Hex. Hd. Cap Screw 5/16 x 3/4 . . . . .	2		653017	Hexagon Nut - 1/2 . . . . .	4
	654023	Lock Washer - 5/16 . . . . .	2		654008	Plain Washer - 1/2 . . . . .	8
7	H6092C	Hose Stand . . . . .	1		654029	Lock Washer - 1/2 . . . . .	4
	653017	Hexagon Nut - 1/2 . . . . .	1	40	043198	Support Arm Clip . . . . .	1
	653076	Hexagon Lock Nut - 1/2 . . . . .	2	41	043204	Attachment Lift . . . . .	1
	654029	Lock Washer - 1/2 . . . . .	1	42	043212	Transmission Base - Left . . . . .	1
8	H6094	Hose Clamp . . . . .	3		650105	Hex. Hd. Cap Screw 1/2x1-1/4 . . . . .	5
	650105	Hex. Hd. Cap Screw 1/2x1-1/4 . . . . .	1		653017	Hexagon Nut - 1/2 . . . . .	5
	653076	Hexagon Lock Nut - 1/2 . . . . .	1		654029	Lock Washer - 1/2 . . . . .	5
9	H6161A	Adjustable Axle . . . . .	2	43	043216	Transmission Base - Right . . . . .	1
	650110	Hex. Hd. Cap Screw 1/2 x 1-3/4 . . . . .	8		650105	Hex. Hd. Cap Screw 1/2x1-1/4 . . . . .	4
	653017	Hexagon Nut - 1/2 . . . . .	8		653017	Hexagon Nut - 1/2 . . . . .	4
	653090	Castellated Nut - 7/8 N. F. . . . .	2		654029	Lock Washer - 1/2 . . . . .	4
	654015	Plain Washer - 7/8 . . . . .	2	44	043227	Idler Lift Arm . . . . .	1
	654029	Lock Washer - 1/2 . . . . .	8		650306	Hex. Hd. Cap Screw 5/8 x 3-1/2 . . . . .	2
	655013	Cotter Pin 1/8 x 2 . . . . .	2		653020	Hexagon Nut - 5/8 . . . . .	2
10	H6196B	Hitch Pin . . . . .	1		654031	Lock Washer - 5/8 . . . . .	2
	655019	Cotter Pin 3/16 x 1-1/2 . . . . .	1	45	043235	PTO Bearing Support . . . . .	1
11	H6198	Hitch Control Cord . . . . .	1		650135	Hex. Hd. Cap Screw 1/2x5-1/2 . . . . .	3
12	H6219A	Hitch Spacer . . . . .	2		653017	Hexagon Nut - 1/2 . . . . .	3
13	H8353A	Washer . . . . .	2		654029	Lock Washer - 1/2 . . . . .	3
14	R13020A	Lift Link Pin . . . . .	2	46	043243	PTO Support Spacer . . . . .	2
	655019	Cotter Pin 3/16 x 1-1/2 . . . . .	4	47	043246	Main Frame . . . . .	1
15	R13033D <sup>A</sup>	Hitch Jack . . . . .	1	48	043299	Lift Shaft . . . . .	1
16	R13244	Hitch Pin . . . . .	1		650105	Hex. Hd. Cap Screw 1/2x1-1/4 . . . . .	1
	655009	Cotter Pin 1/8 x 1-1/2 . . . . .	1		653017	Hexagon Nut - 1/2 . . . . .	1
	655027	Cotter Pin 1/4 x 1-1/2 . . . . .	1		654008	Plain Washer - 1/2 . . . . .	1
17	R13245	Control Cord Bracket . . . . .	1		654029	Lock Washer - 1/2 . . . . .	1
18	R13247	Hitch Spring . . . . .	1	49	043323	Lift Pin 1 x 2 . . . . .	2
19	S16111	Spring Stud . . . . .	2		655019	Cotter Pin 3/16 x 1-1/2 . . . . .	4
	654011	Plain Washer - 5/8 . . . . .	2	50	043325	Hitch Pin . . . . .	1
20	041499	Ball Bearing . . . . .	1		655019	Cotter Pin 3/16 x 1-1/2 . . . . .	1
21	042654	Lift Roller Assembled . . . . .	2	51	043685	Bearing Housing Assembled . . . . .	1
		(Includes Two 042656 Bushings)			652053	Carriage Bolt 3/8 x 2 . . . . .	3
22	042655	Lift Roller . . . . .	2		653009	Hexagon Nut - 3/8 . . . . .	3
23	042656	Lift Roller Bushing . . . . .	4		654025	Lock Washer - 3/8 . . . . .	3
24	042657	Lift Spring . . . . .	2	52	043686	Bearing Housing . . . . .	1
	650145	Hex. Hd. Cap Screw 5/8 x 2 . . . . .	2	53	043765	Drawbar Clip - Upper . . . . .	1
	653078	Hexagon Lock Nut - 5/8 . . . . .	2		650159	Hex. Hd. Cap Screw 5/8x5-1/2 . . . . .	1
25	042658	Lift Spring Nut . . . . .	2		653020	Hexagon Nut - 5/8 . . . . .	1
26	043180	Drawbar Hitch . . . . .	1		654031	Lock Washer - 5/8 . . . . .	1
27	043182	Axle Extension . . . . .	2	54	043766	Drawbar Clip - Lower . . . . .	1
	650135	Hex. Hd. Cap Screw 1/2 x 5-1/2 . . . . .	4		650159	Hex. Hd. Cap Screw 5/8x5-1/2 . . . . .	1
	653017	Hexagon Nut - 1/2 . . . . .	4		653020	Hexagon Nut - 5/8 . . . . .	1
	654029	Lock Washer - 1/2 . . . . .	4		654031	Lock Washer - 5/8 . . . . .	1
28	043184	Lift Retainer - Right . . . . .	2	55	520025	Bearing Cup . . . . .	4
	650105	Hex. Hd. Cap Screw 1/2x 1-1/4 . . . . .	4	56	520027	Bearing Cone . . . . .	2
	653017	Hexagon Nut - 1/2 . . . . .	4	57	520028	Bearing Cone . . . . .	2
	654029	Lock Washer - 1/2 . . . . .	4	58	520093	Bearing Collar . . . . .	1
29	043185	Lift Retainer - Left . . . . .	1	59	520119	Ball Bearing . . . . .	1
	650105	Hex. Hd. Cap Screw 1/2 x 1-1/4 . . . . .	2	60	540006	Retaining Ring . . . . .	1
	653017	Hexagon Nut - 1/2 . . . . .	2	61	550002	Wheel Hub . . . . .	2
	654029	Lock Washer - 1/2 . . . . .	2			(Includes Two 520025)	
30	043186	Trailer Hitch . . . . .	1	62	550018	Dust Cap . . . . .	2
31	043187	Idler Pivot Bracket . . . . .	1	63	550022	Grease Seal . . . . .	2
	650027	Hex. Hd. Cap Screw 5/16 x 1 . . . . .	2	64	550041	Wheel Bolt . . . . .	12
	653006	Hexagon Nut - 5/16 . . . . .	2	65	550051	Drop Center Wheel . . . . .	2
	654003	Plain Washer - 5/16 . . . . .	2	66	620005	Retaining Ring . . . . .	1
	654023	Lock Washer - 5/16 . . . . .	2				
32	043188	Idler Pivot Journal . . . . .	1				
33	043189	Lift Roller Journal . . . . .	2				

<sup>A</sup> To service Jack Latch, order Latch Kit #620009

# CB600-ROLLER AND ROLLER DRIVE

WARNING - Order By Part Number - Do Not Use Illustration Reference Numbers



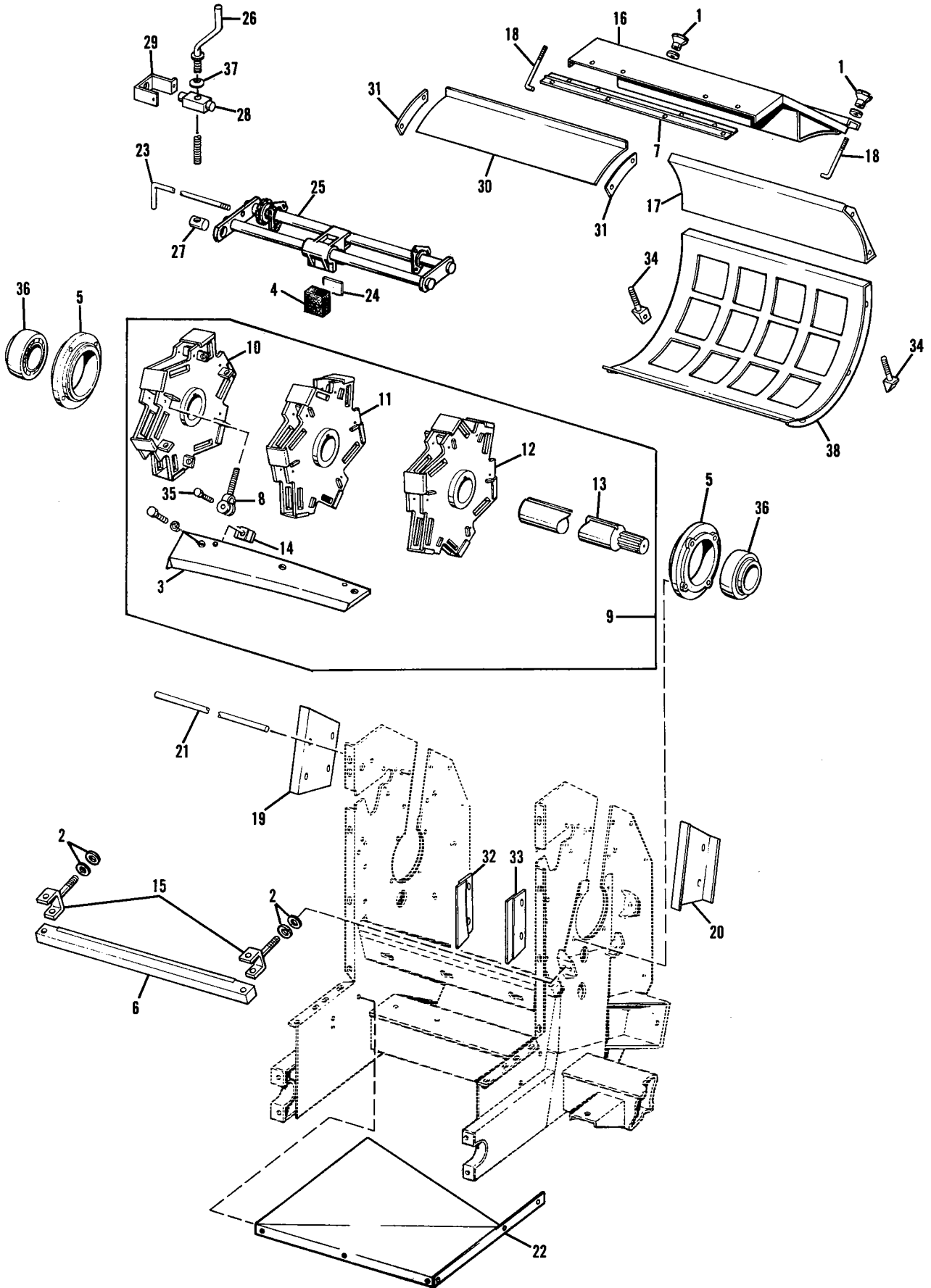
ALWAYS GIVE MODEL AND SERIAL NUMBER WHEN ORDERING SERVICE PARTS

# CB600-ROLLER AND ROLLER DRIVE

Ref. No.	Part No.	Part Name	No. Req.	Ref. No.	Part No.	Part Name	No. Req.
1	H117	Right Equalizer Bushing . . . . .	1	23	042994	Spring Retainer - Right . . . . .	1
2	H118A	Sprocket (6 T) . . . . .	1		652045	Carriage Bolt 3/8 x 3/4 . . . . .	4
3	H133A	Equalizer Spring . . . . .	4		653009	Hexagon Nut - 3/8 . . . . .	4
4	H192	Roller Pin 5/16 x 1-1/2 . . . . .	1		654025	Lock Washer - 3/8 . . . . .	4
5	H193	Bearing Retainer . . . . .	1	24	042998	Spring Retainer - Left . . . . .	1
	650024	Hex. Hd. Cap Screw 5/16 x 3/4 . . . . .	6		652045	Carriage Bolt 3/8 x 3/4 . . . . .	4
	654023	Lock Washer - 5/16 . . . . .	6		653009	Hexagon Nut - 3/8 . . . . .	4
6	H194	Bearing Retainer . . . . .	1		654025	Lock Washer - 3/8 . . . . .	4
7	H195	Bearing Retainer . . . . .	2	25	043001	Feed Roll Sprocket - Lower Front (32 T) . . . . .	1
8	H199	Equalizer Bushing . . . . .	3		650212	Soc. Hd. Set Screw 3/8 x 3/8 . . . . .	1
9	9H363	Equalizer Spacer . . . . .	4	26	043017	Lower Roller Scraper . . . . .	1
10	H1002	Spring Rod Spacer . . . . .	8		652045	Carriage Bolt 3/8 x 3/4 . . . . .	3
11	H8334	Bearing Retainer . . . . .	4		653009	Hexagon Nut - 3/8 . . . . .	3
	652025	Carriage Bolt 5/16 x 3/4 . . . . .	6		654005	Plain Washer - 3/8 . . . . .	3
	653006	Hexagon Nut - 5/16 . . . . .	6		654025	Lock Washer - 3/8 . . . . .	3
	654023	Lock Washer - 5/16 . . . . .	6	27	043041	Crop Baffle . . . . .	1
12	Y15027	Feed Roll Sprocket - Lower Rear (16 T) . . . . .	1		650055	Hex. Hd. Cap Screw 3/8 x 3/4 . . . . .	4
	650212	Soc. Hd. Set Screw 3/8 x 3/8 . . . . .	1		653009	Hexagon Nut - 3/8 . . . . .	4
13	042648	Feed Roll Sprocket - Upper Front (14 T) . . . . .	1	28	043105	Chain Tightener Bracket . . . . .	1
	650077	Hex. Hd. Cap Screw 3/8 x 3-1/2 . . . . .	1	29	043107	Side Plate - Right . . . . .	1
	653009	Hexagon Nut - 3/8 . . . . .	1		650024	Hex. Hd. Cap Screw 5/16 x 3/4 . . . . .	8
	654025	Lock Washer - 3/8 . . . . .	1		653006	Hexagon Nut - 5/16 . . . . .	8
14	042967	Auxiliary Roller . . . . .	1		654023	Lock Washer - 5/16 . . . . .	8
	655029	Cotter Pin 1/4 x 1-3/4 . . . . .	2	30	043112	Side Plate - Left . . . . .	1
15	042971	Lower Roller - Front . . . . .	1		650024	Hex. Hd. Cap Screw 5/16 x 3/4 . . . . .	6
	655507	Woodruff Key 5/16 x 1 . . . . .	1		650027	Hex. Hd. Cap Screw 5/16 x 1 . . . . .	2
16	042975	Upper Roller - Rear . . . . .	1		653006	Hexagon Nut - 5/16 . . . . .	8
	655029	Cotter Pin 1/4 x 1-3/4 . . . . .	1		654023	Lock Washer - 5/16 . . . . .	8
	655507	Woodruff Key 5/16 x 1 . . . . .	1	31	043126	Roller Shield . . . . .	2
17	042979	Lower Roller - Rear . . . . .	1	32	043138	Equalizer Retainer . . . . .	2
	655507	Woodruff Key 5/16 x 1 . . . . .	2		652045	Carriage Bolt 3/8 x 3/4 . . . . .	4
18	042983	Feed Roll Cover . . . . .	1		653009	Hexagon Nut - 3/8 . . . . .	4
	650024	Hex. Hd. Cap Screw 5/16 x 3/4 . . . . .	8		654025	Lock Washer - 3/8 . . . . .	4
	653006	Hexagon Nut - 5/16 . . . . .	8	33	043191	Take-Up Bar . . . . .	1
	654023	Lock Washer - 5/16 . . . . .	8		650059	Hex. Hd. Cap Screw 3/8 x 1 . . . . .	1
19	042984	Roller Equalizer - Right . . . . . (Includes One H117 and One H199 Bushing)	1		650071	Hex. Hd. Cap Screw 3/8 x 2-1/2 . . . . .	1
	570003	Grease Fitting . . . . .	2		653009	Hexagon Nut - 3/8 . . . . .	2
	654005	Plain Washer - 3/8 . . . . .	2		654005	Plain Washer - 3/8 . . . . .	2
	654025	Lock Washer - 3/8 . . . . .	2		654025	Lock Washer - 3/8 . . . . .	2
20	042988	Roller Equalizer - Left . . . . . (Includes Two H199 Bushing)	1	34	043192	Take-Up Bracket Spacer . . . . .	1
	570003	Grease Fitting . . . . .	2	35	043226	Take-Up Bracket . . . . .	1
21	042990	Spring Guide - Front . . . . .	2	36	043680	Corn Leaf Baffle . . . . .	1
	650110	Hex. Hd. Cap Screw 1/2 x 1-3/4 . . . . .	2	37	043681	Ball Bearing . . . . .	2
	653076	Hexagon Lock Nut - 1/2 . . . . .	2	38	043682	Bearing Collar . . . . .	2
	654008	Plain Washer - 1/2 . . . . .	2	39	043761	Feed Roll Drive Chain - Upper . . . . .	1
22	042992	Spring Guide - Rear . . . . .	2	40	043688	Chain of 47 Links Including One (500057) Connector Link and One (500058) Offset Link . . . . .	1
	650110	Hex. Hd. Cap Screw 1/2 x 1-3/4 . . . . .	2	41	520065	Ball Bearing . . . . .	2
	653076	Hexagon Lock Nut - 1/2 . . . . .	2	42	520085	Bearing Collar . . . . .	2
	654008	Plain Washer - 1/2 . . . . .	2				

ALWAYS GIVE MODEL AND SERIAL NUMBER WHEN ORDERING SERVICE PARTS

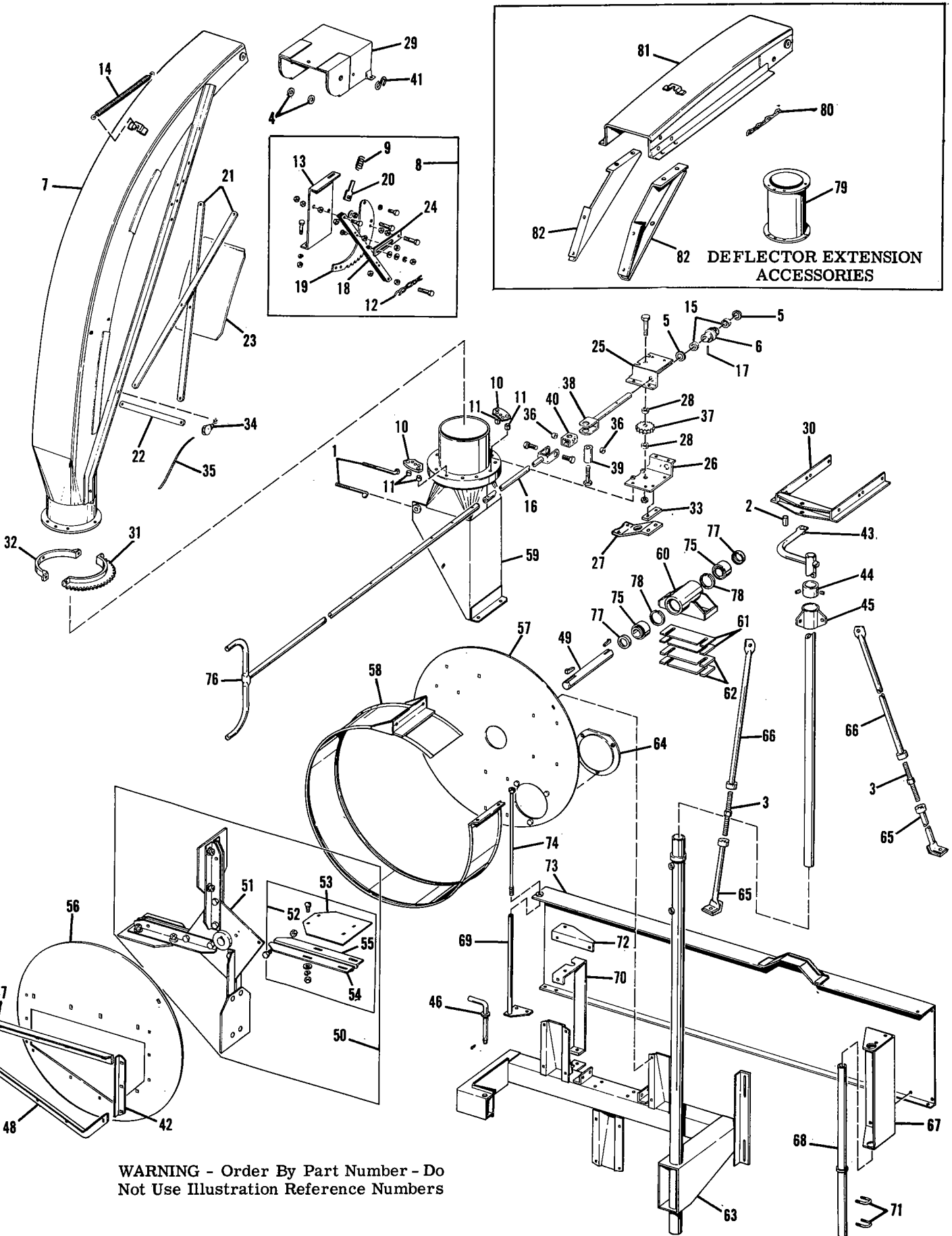
# CB600-CYLINDER







# CB600-BLOWER AND OUTLET



WARNING - Order By Part Number - Do Not Use Illustration Reference Numbers

# CB600-BLOWER AND OUTLET

Ref. No.	Part No.	Part Name	No. Req.	Ref. No.	Part No.	Part Name	No. Req.
1	1H58D	Blower Lock Bolt . . . . .	2	25	H6167	Deflector Gear Housing - Upper .	1
	653017	Hexagon Nut - 1/2 . . . . .	2		650024	Hex. Hd. Cap Screw 5/16 x 3/4 .	4
	654008	Plain Washer - 1/2 . . . . .	2		653006	Hexagon Nut - 5/16 . . . . .	4
2	3E136	Deflector Pivot Spacer . . . . .	1		654023	Lock Washer - 5/16 . . . . .	4
3	H6175	Adjustment Bolt . . . . .	2	26	H6168	Deflector Gear Housing - Lower.	1
4	9H253	Deflector Cap Spacer . . . . .	2		650072	Hex. Hd. Cap Screw 3/8 x 2-1/2.	2
5	H267	Shim Washer . . . . .	2		653010	Hexagon Nut - 3/8 . . . . .	2
6	H655B	Deflector Worm . . . . .	1		654025	Lock Washer - 3/8 . . . . .	2
7	H659G	Deflector . . . . .	1	27	H6169	Gear Housing Support . . . . .	1
	650275	Truss Head Screw 3/8 x 3/4 .	4		650059	Hex. Hd. Cap Screw 3/8 x 1 . . .	2
	653009	Hexagon Nut - 3/8 . . . . .	4		653010	Hexagon Nut - 3/8 . . . . .	2
	654025	Lock Washer . . . . .	4		654026	Lock Washer - 3/8 . . . . .	2
8	H661D	Deflector Cap Control . . . . .	1	28	H6170A	Idler Gear Spacer . . . . .	2
9	H670	Control Spring . . . . .	1	29	H6190C	Deflector Cap . . . . .	1
10	H6013B	Deflector Hold-Down . . . . .	2		650002	Hex. Hd. Cap Screw 1/4 x 5/8 . .	1
	650076	Hex. Hd. Cap Screw 3/8 x 3 . .	4		650102	Hex. Hd. Cap Screw 1/2 x 1 . . .	2
	653009	Hexagon Nut - 3/8 . . . . .	8		653004	Hexagon Nut - 1/4 . . . . .	1
11	H6053A	Deflector Ring Spacer . . . . .	4		653076	Hexagon Lock Nut - 1/2 . . . . .	2
12	H6080A	Deflector Control Chain . . . . .	1		654001	Plain Washer - 1/4 . . . . .	1
13	H6081C	Cap Control Base . . . . .	1		654021	Lock Washer - 1/4 . . . . .	1
	650024	Hex. Hd. Cap Screw 5/16x3/4 .	2	30	H6203B	Deflector Pivot Bracket . . . . .	1
	653006	Hexagon Nut - 5/16 . . . . .	2		650114	Hex. Hd. Cap Screw 1/2 x 2-1/4.	1
	654023	Lock Washer - 5/16 . . . . .	2		653017	Hexagon Nut - 1/2 . . . . .	1
14	H6124B	Deflector Cap Spring . . . . .	1		654029	Lock Washer - 1/2 . . . . .	1
15	H6138C	Deflector Worm Spacer . . . . .	2	31	H6220	Deflector Control Gear . . . . .	1
	652021	Carriage Bolt 1/4 x 3/4 . . . .	1		650065	Hex. Hd. Cap Screw 3/8 x 1-3/4.	2
	653004	Hexagon Nut - 1/4 . . . . .	1		653009	Hexagon Nut - 3/8 . . . . .	2
	654001	Plain Washer - 1/4 . . . . .	1		654025	Lock Washer - 3/8 . . . . .	2
	654021	Lock Washer - 1/4 . . . . .	1	32	H6221	Deflector Control Clamp . . . . .	1
16	H6144B	Deflector Control Yoke . . . . .	1	33	H6257	Gear Housing Spacer . . . . .	1
17	H6145	Deflector Worm Pin 1/4 x 1-1/2	1	34	M12139	Deflector Control Pulley . . . . .	1
18	H6151	Cap Control Pawl . . . . .	1	35	R13081E	Deflector Control Cord . . . . .	1
	650009	Hex. Hd. Cap Screw 1/4 x 1-1/4	2	36	R13055	Universal Joint Trunnion . . . . .	2
	650061	Hex. Hd. Cap Screw 3/8 x 1-1/4	1	37	R13114B	Worm Idler Gear (12T) . . . . .	1
	653004	Hexagon Nut - 1/4 . . . . .	3		650125	Hex. Hd. Cap Screw 1/2 x 3-3/4.	1
	653009	Hexagon Nut - 3/8 . . . . .	2		653076	Hexagon Lock Nut - 1/2 . . . . .	1
	653070	Hexagon Lock Nut - 1/4 . . . . .	1	38	R13116B	Deflector Worm Shaft . . . . .	1
19	H6152	Cap Control Ratchet . . . . .	1	39	R13118	Control Yoke Pivot Pin . . . . .	1
	650007	Hex. Hd. Cap Screw 1/4 x 1 . .	1	40	R13119	Control Yoke Pivot . . . . .	1
	650061	Hex. Hd. Cap Screw 3/8 x 1-1/4	1		650027	Hex. Hd. Cap Screw 5/16 x 1 . . .	2
	653004	Hexagon Nut - 1/4 . . . . .	3		650041	Hex. Hd. Cap Screw 5/16 x 2-3/4	1
	653009	Hexagon Nut - 3/8 . . . . .	2		653072	Hexagon Lock Nut - 5/16 . . . . .	3
	654005	Plain Washer - 3/8 . . . . .	1		654003	Plain Washer - 5/16 . . . . .	3
20	H6153	Control Spring Toggle . . . . .	1	41	040164	S-Hook . . . . .	1
	650002	Hex. Hd. Cap Screw 1/4 x 5/8 .	1	42	043114	Blower Inlet Seal - Side . . . . .	2
	654001	Plain Washer - 1/4 . . . . .	1	43	043115	Deflector Mast Brace - Upper	1
	654021	Lock Washer - 1/4 . . . . .	1	44	043118	Mast Brace Collar . . . . .	1
21	H6154A	Deflector Cross Brace . . . . .	2		650244	Sq. Hd. Set Screw 1/2 x 1-1/2 . .	2
	650024	Hex. Hd. Cap Screw 5/16 x 3/4	3	45	043119	Deflector Pivot Support . . . . .	1
	653006	Hexagon Nut - 5/16 . . . . .	3	46	043121	Latch Pin . . . . .	1
	654023	Lock Washer - 5/16 . . . . .	3		655005	Cotter Pin 1/8 x 1 . . . . .	1
22	H6155A	Deflector Tie Strap . . . . .	1	47	043124	Blower Inlet Seal - Upper . . . . .	1
	650027	Hex. Hd. Cap Screw 5/16 x 1 . .	2	48	043125	Blower Inlet Seal - Lower . . . . .	1
	653006	Hexagon Nut - 5/16 . . . . .	2	49	043139	Blower Shaft 1-7/16 x 12-9/16 . .	1
	654023	Lock Washer - 5/16 . . . . .	2		655520	Tapered Key 3/8 x 1-1/2 . . . . .	1
23	H6156B	Deflector Slide . . . . .	1		655521	Tapered Key 3/8 x 2 . . . . .	1
24	H6157	Throw-Out Link . . . . .	1	50	043140	Blower Disc Assembled . . . . .	1
	650262	Truss Head Screw 1/4 x 5/8 . .	1	51	043141	Blower Disc . . . . .	1
	653004	Hexagon Nut - 1/4 . . . . .	1	52	043144	Blower Arm Assembled . . . . .	4
	654001	Plain Washer - 1/4 . . . . .	2		650141	Hex. Hd. Cap Screw 5/8 x 1-1/2 .	8
	654021	Lock Washer - 1/4 . . . . .	1		653020	Hexagon Nut - 5/8 . . . . .	8
					654031	Lock Washer - 5/8 . . . . .	8

PARTS LIST CONTINUED ON NEXT PAGE

# CB600-BLOWER AND OUTLET

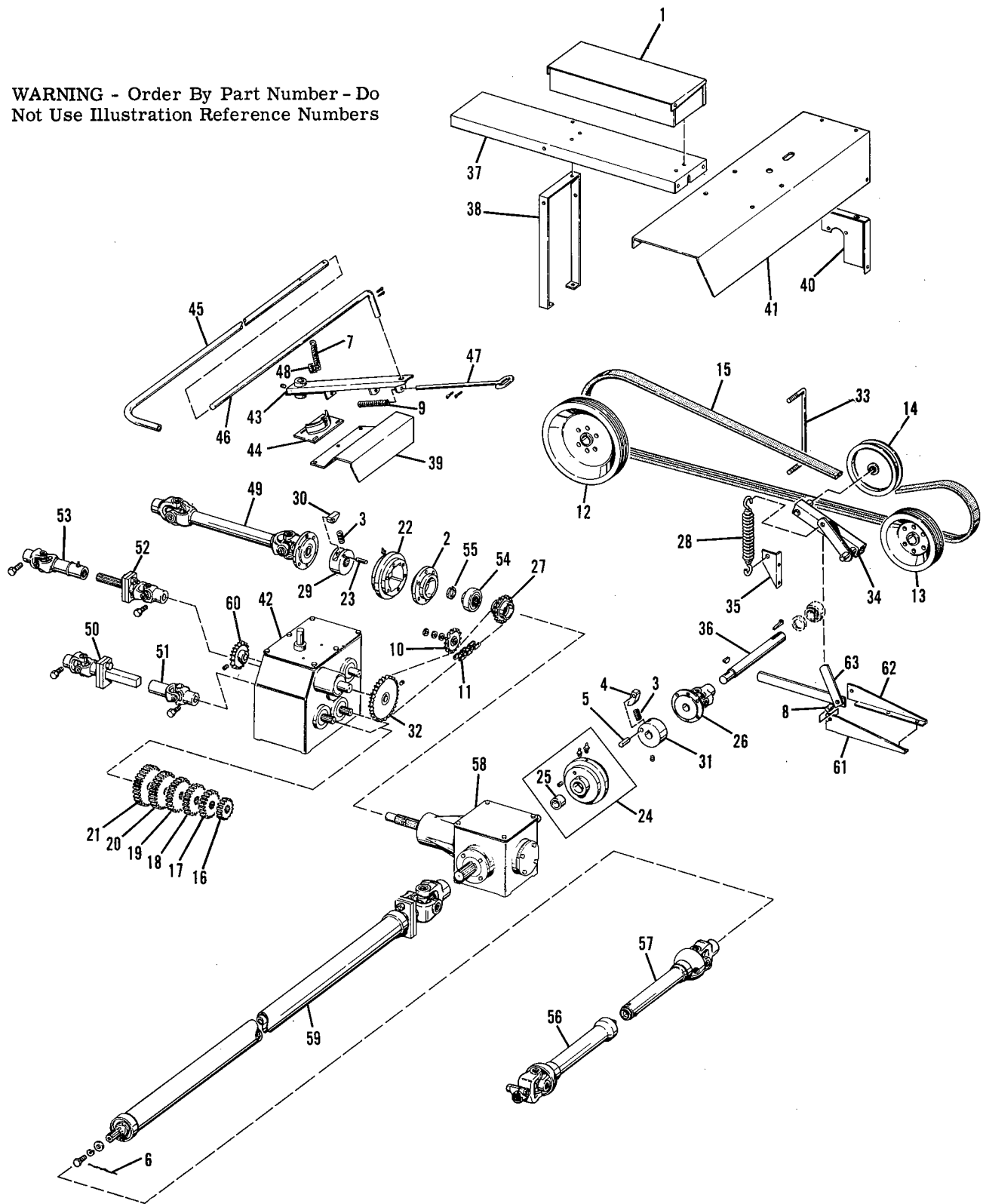
Ref. No.	Part No.	Part Name	No. Req.	Ref. No.	Part No.	Part Name	No. Req.
53	043145	Blower Fan Plate . . . . .	4	67	043305	Drive Guard Support . . . . .	1
	652081	Carriage Bolt 1/2 x 1-1/4 . . .	16		650268	Truss Head Screw 5/16 x 3/4 . . .	6
	653017	Hexagon Nut - 1/2 . . . . .	16		653006	Hexagon Nut - 5/16 . . . . .	6
	654007	Plain Washer - 7/16 . . . . .	16		654023	Lock Washer - 5/16 . . . . .	6
	654029	Lock Washer - 1/2 . . . . .	16	68	043308	Guard Support Pivot . . . . .	1
54	043146	Blower Arm - Front . . . . .	4	69	043310	Latch . . . . .	1
55	043147	Blower Arm - Rear . . . . .	4	70	043313	Latch Bracket . . . . .	1
56	043148	Blower Side - Front . . . . .	1		650024	Hex. Hd. Cap Screw 5/16x3/4 . . .	2
	652025	Carriage Bolt 5/16 x 3/4 . . .	14		653006	Hexagon Nut - 5/16 . . . . .	2
	653006	Hexagon Nut - 5/16 . . . . .	14		654023	Lock Washer - 5/16 . . . . .	2
	654003	Plain Washer - 5/16 . . . . .	14	71	043314	U-Bolt . . . . .	2
	654023	Lock Washer - 5/16 . . . . .	14		653009	Hexagon Nut - 3/8 . . . . .	4
57	043149	Blower Side - Rear . . . . .	1		654025	Lock Washer - 3/8 . . . . .	4
	652025	Carriage Bolt 5/16 x 3/4 . . .	13	72	043317	Latch Bracket Brace . . . . .	1
	652028	Carriage Bolt 5/16 x 1 . . . . .	1	73	043318	Belt Guard . . . . .	1
	653006	Hexagon Nut - 5/16 . . . . .	14	74	043320	Belt Guard Bolt 3/8x18-1/2 . . .	1
	653093	Wing Nut - 5/16 . . . . .	3		653009	Hexagon Nut - 3/8 . . . . .	1
	654023	Lock Washer - 5/16 . . . . .	14		654005	Plain Washer - 3/8 . . . . .	1
58	043151	Blower Rim . . . . .	1		654025	Lock Washer-3/8 . . . . .	1
59	043154	Blower Outlet . . . . .	1	75	043683	Ball Bearing . . . . .	2
	650024	Hex. Hd. Cap Screw 5/16 x 3/4 . .	2	76	043918	Deflector Swing Control . . . . .	1
	652048	Carriage Bolt 3/8 x 1-1/4 . . .	2		650031	Hex. Hd. Cap Screw 5/16x1-1/2 . .	1
	653006	Hexagon Nut - 5/16 . . . . .	2		653006	Hexagon Nut - 5/16 . . . . .	1
	653009	Hexagon Nut - 3/8 . . . . .	2		654023	Lock Washer - 5/16 . . . . .	1
	654005	Plain Washer - 3/8 . . . . .	2	77	520093	Bearing Collar . . . . .	2
	654023	Lock Washer - 5/16 . . . . .	2	78	540006	Retaining Ring . . . . .	2
	654025	Lock Washer - 3/8 . . . . .	2				
60	043159	Blower Bearing Housing . . . . .	1				
	570002	Grease Fitting . . . . .	1				
	650084	Hex. Hd. Cap Screw 3/8 x 4-1/2 . .	4				
	653009	Hexagon Nut - 3/8 . . . . .	4				
	654005	Plain Washer - 3/8 . . . . .	4				
	654025	Lock Washer - 3/8 . . . . .	4				
61	043163	Blower Bearing Shim - #16 Ga. . .	2	79	H6061A	Deflector Extension - Higher . . .	1
62	043164	Blower Bearing Shim - #10 Ga. . .	2		650061	Hex. Hd. Cap Screw 3/8x1-1/4 . . .	6
63	043165	Blower Support Beam . . . . .	1		653009	Hexagon Nut - 3/8 . . . . .	6
	650234	Sq. Hd. Set Screw 3/8 x 2-1/2 . . .	4		654025	Lock Washer - 3/8 . . . . .	6
	650256	Sq. Hd. Set Screw 5/8 x 1-1/4 . . .	4	80	H6080A	Deflector Control Chain . . . . .	1
	653037	Hexagon Jam Nut - 3/8 . . . . .	8		650004	Hex. Hd. Cap Screw 1/4 x 3/4 . . .	1
	653046	Hexagon Jam Nut - 5/8 . . . . .	4		653070	Hexagon Lock Nut - 1/4 . . . . .	1
64	043178	Fan Adjustment Cover . . . . .	1		654001	Plain Washer - 1/4 . . . . .	2
65	043230	Adjustment Brace Base . . . . .	2	81	H6095C	Deflector Extension - Longer . . .	1
	650108	Hex. Hd. Cap Screw 1/2 x 1-1/2 . .	2		650102	Hex. Hd. Cap Screw 1/2 x 1 . . .	2
	653017	Hexagon Nut - 1/2 . . . . .	2		653017	Hexagon Nut - 1/2 . . . . .	2
	654029	Lock Washer - 1/2 . . . . .	2		654029	Lock Washer - 1/2 . . . . .	2
66	043233	Support Brace . . . . .	2	82	H6126A	Extension Gusset . . . . .	2
	650105	Hex. Hd. Cap Screw 1/2 x 1-1/4 . .	2		650024	Hex. Hd. Cap Screw 5/16 x 3/4 . . .	8
	653017	Hexagon Nut - 1/2 . . . . .	2		653006	Hexagon Nut - 5/16 . . . . .	8
	654029	Lock Washer - 1/2 . . . . .	2		654023	Lock Washer - 5/16 . . . . .	8

## DEFLECTOR EXTENSION ACCESSORIES

ALWAYS GIVE MODEL AND SERIAL NUMBER WHEN ORDERING SERVICE PARTS

# CB600-PTO AND DRIVE

WARNING - Order By Part Number - Do Not Use Illustration Reference Numbers



PARTS LIST STARTS ON NEXT PAGE

ALWAYS GIVE MODEL AND SERIAL NUMBER WHEN ORDERING SERVICE PARTS

# CB600-PTO AND DRIVE

Ref. No.	Part No.	Part Name	No. Req.	Ref. No.	Part No.	Part Name	No. Req.
1	H501E	Tool Box . . . . .	1	25	042863	Clutch Bushing . . . . .	1
	650268	Truss Head Screw 5/16 x 3/4	4				
	653006	Hexagon Nut - 5/16 . . . . .	4	26	042871	Blower Drive Joint . . . . .	1
	654023	Lock Washer - 5/16 . . . . .	4		570014	Grease Fitting . . . . .	1
2	H6073F	Clutch Cover . . . . .	1	27	042909	Transmission Drive Sprocket - (18T) . . . . .	1
3	H6075	Clutch Spring . . . . .	2	28	042912	Blower Idler Spring . . . . .	1
4	H6076A	Clutch Dog . . . . .	1	29	043020	Clutch Drive Hub . . . . .	1
5	H6201	Clutch Dog Pin 1/2 x 1-1/2 . . .	1	30	043021	Clutch Dog . . . . .	1
6	H6242	Joint Retainer Wire . . . . .	1	31	043022	Clutch Drive Hub . . . . .	1
7	U10014B	Shifter Return Spring . . . . .	1		650214	Soc. Hd. Set Screw 3/8 x 1/2 .	1
8	R13178	Stop Base Spacer . . . . .	1	32	043106	Transmission Driven Sprocket - (30T) . . . . .	1
9	C14084B	Shifter Pin Spring . . . . .	1		650212	Soc. Hd. Set Screw 3/8 x 3/8 .	1
10	C14118	Chain Tightener Sprocket (15T)	1	33	043123	Belt Guide . . . . .	1
	650145	Hex. Hd. Cap Screw 5/8 x 2 . .	1		653017	Hexagon Nut - 1/2 . . . . .	4
	653020	Hexagon Nut - 5/8 . . . . .	1		654008	Plain Washer - 1/2 . . . . .	4
	654011	Plain Washer - 5/8 . . . . .	3		654029	Lock Washer - 1/2 . . . . .	2
	654031	Lock Washer - 5/8 . . . . .	1	34	043220	Idler Arm . . . . .	1
11	042285	Chain of 72 Links Including One (500160) Connecting Link . . .	1		650133	Hex. Hd. Cap Screw 1/2 x 5 . .	1
12	042649	Blower Sheave (14 Dia.) . . . . .	1		650137	Hex. Hd. Cap Screw 1/2 x 6 . .	1
13	042650	Blower Sheave (10.3 Dia.) . . . .	1		653017	Hexagon Nut - 1/2 . . . . .	2
14	042651	Idler Sheave . . . . .	1		654008	Plain Washer - 1/2 . . . . .	5
15	042782	Blower Drive Belt . . . . .	1		654029	Lock Washer - 1/2 . . . . .	2
16	042838^	Length of Cut Gear 16T . . . . .	1	35	043225	Spring Bracket . . . . .	1
17	042839	Length of Cut Gear 20T . . . . .	1		650027	Hex. Hd. Cap Screw 5/16 x 1 .	2
18	042840	Length of Cut Gear 22T . . . . .	1		653006	Hexagon Nut - 5/16 . . . . .	2
19	042843	Length of Cut Gear 26T . . . . .	1		654023	Lock Washer - 5/16 . . . . .	2
20	042843	Length of Cut Gear 28T . . . . .	1	36	043298	Blower Drive Shaft - 1-7/16 x 15-1/8 . . . . .	1
21	042847^	Length of Cut Gear 32T . . . . .	1		655508	Woodruff Key 5/16 x 1-1/4 . .	1
22	042856	Clutch Hub . . . . .	1		655520	Tapered Key 3/8 x 1-1/2 . . .	1
	570002	Grease Fitting . . . . .	1	37	043315	Cylinder Joint Shield . . . . .	1
	650044	Hex. Hd. Cap Screw 5/16 x 3-1/4	6		650024	Hex. Hd. Cap Screw 5/16 x 3/4.	5
	653006	Hexagon Nut - 5/16 . . . . .	6		653006	Hexagon Nut - 5/16 . . . . .	5
	654023	Lock Washer - 5/16 . . . . .	6		654023	Lock Washer - 5/16 . . . . .	5
23	042857	Clutch Dog Pin 5/8 x 1-1/2 . . .	1	38	043316	Cylinder Shield Bracket . . . . .	1
24	042861	Clutch Housing . . . . .	1	39	043321	Chain Guard . . . . .	1
	570002	Grease Fitting . . . . .	1	40	043322	Guard Support - Rear . . . . .	1
	570005	Grease Fitting . . . . .	1		650024	Hex. Hd. Cap Screw 5/16 x 3/4	3
	650024	Hex. Hd. Cap Screw 5/16 x 3/4.	6		653006	Hexagon Nut - 5/16 . . . . .	3
	654023	Lock Washer - 5/16 . . . . .	6		654023	Lock Washer - 5/16 . . . . .	2
	660001	Headless Pipe Plug - 1/8 . . . .	1	41	043324	Universal Drive Guard . . . . .	1
				42	043329	Transmission Assembled . . . . .	1
					650102	Hex. Hd. Cap Screw 1/2 x 1 . .	4
					654029	Lock Washer - 1/2 . . . . .	4

# CB600-PTO AND DRIVE

Ref. No.	Part No.	Part Name	No. Req.	Ref. No.	Part No.	Part Name	No. Req.
43	043341	Shifter Arm . . . . .	1	54	043684	Ball Bearing . . . . .	1
	650201	Soc. Hd. Set Screw 5/16 x 5/16	1	55	043689	Retaining Ring . . . . .	1
44	043346	Shifter Stop . . . . .	1	56	043826	Universal Joint w/Sq. Shaft . . .	1
45	043351	Shifter Handle . . . . .	1		570004	(For 540 RPM Tractor PTO) Grease Fitting . . . . .	1
	650031	Hex. Hd. Cap Screw 5/16 x 1-1/2	1	043832	Universal Joint w/Sq. Shaft . . .	1	
	653006	Hexagon Nut - 5/16 . . . . .	1		570004	(For 1000 RPM Tractor PTO) Grease Fitting . . . . .	1
	654023	Lock Washer - 5/16 . . . . .	1	57	043827	Universal Joint w/Sp. Tube . .	1
46	043352	Shifter Handle Extension . . . .	1		570004	(For 540 RPM Tractor PTO) Grease Fitting . . . . .	1
	655017	Cotter Pin 3/16 x 1-1/4 . . . .	2	57	043827	Universal Joint w/Sp. Tube . .	1
47	043353	Shifter Pin . . . . .	1		570004	(For 540 RPM Tractor PTO) Grease Fitting . . . . .	1
	655005	Cotter Pin 1/8 x 1 . . . . .	2	043833	Universal Joint w/Sq. Tube . . .	1	
48	043354	Spring Bracket . . . . .	1		570004	(For 1000 RPM Tractor PTO) Grease Fitting . . . . .	1
49	043662	Universal Joint . . . . .	1	58	043835	Transmission Assembled . . . .	1
	570004	Grease Fitting . . . . .	1			(For 540 RPM Tractor PTO)	
50	043664	Universal Joint w/Shear Flange	1	043845	Transmission Assembled . . . .	1	
	570002	Grease Fitting . . . . .	1			(For 1000 RPM Tractor PTO)	
	570004	Grease Fitting . . . . .	1	59	043878	Tubular Drive . . . . .	1
	650039	Hex. Hd. Cap Screw 5/16 x 2-1/2	1			(For 1000 RPM Tractor PTO)	
	653006	Hexagon Nut . . . . .	1	043914	Tubular Drive . . . . .	1	
	654023	Lock Washer - 5/16 . . . . .	1			(For 540 RPM Tractor PTO)	
51	043665	Universal Joint . . . . .	1	60	043891	Attachment Drive Sprocket (17T)	1
	570004	Grease Fitting . . . . .	1		650201	Soc. Hd. Set Screw 5/16 x 5/16	1
	650039	Hex. Hd. Cap Screw 5/16 x 2-1/2	1	61	044194	Idler Stop Base-Front . . . . .	1
	653006	Hexagon Nut - 5/16 . . . . .	1		650027	Hex. Hd. Cap Screw 5/16 x 1 . .	2
	654023	Lock Washer - 5/16 . . . . .	1		653006	Hexagon Nut - 5/16 . . . . .	2
52	043667	Universal Joint w/Shear Flange	1		654023	Lock Washer - 5/16 . . . . .	2
	570002	Grease Fitting . . . . .	1	62	044195	Idler Stop Base - Rear . . . . .	1
	570004	Grease Fitting . . . . .	1	63	044196	Idler Stop . . . . .	1
	650039	Hex. Hd. Cap Screw 5/16 x 2-1/2	1		650112	Hex. Hd. Cap Screw - 1/2 x 2 .	1
	653006	Hexagon Nut - 5/16 . . . . .	1		653076	Hexagon Lock Nut - 1/2 . . . .	1
	654023	Lock Washer - 5/16 . . . . .	1				

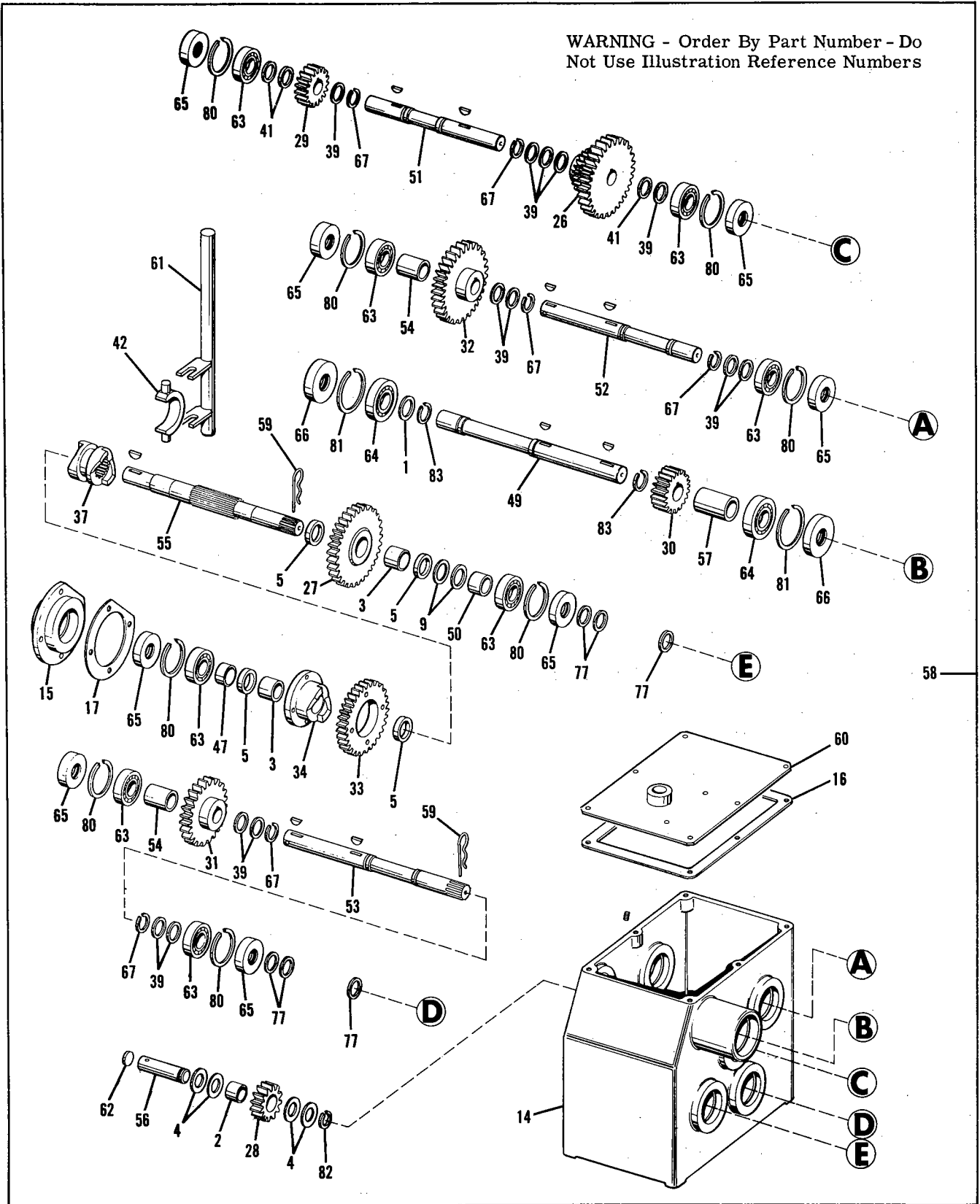
^ Must be ordered as optional equipment

ALWAYS GIVE MODEL AND SERIAL NUMBER WHEN ORDERING SERVICE PARTS





# CB600-TRANSMISSION



PARTS LIST STARTS ON NEXT PAGE

ALWAYS GIVE MODEL AND SERIAL NUMBER WHEN ORDERING SERVICE PARTS

# CB600-TRANSMISSION

Ref. No.	Part No.	Part Name	No. Req.	Ref. No.	Part No.	Part Name	No. Req.
1	10E20	Shim Washer . . . . .	5	44	042940	Transmission Cover . . . . .	1
2	17H238	Gear Bushing . . . . .	1		650055	Hex. Hd. Cap Screw 3/8 x 3/4 . . . . .	4
3	H6074A	Gear Bushing . . . . .	2		654025	Lock Washer - 3/8 . . . . .	4
4	H7126	Shim Washer . . . . .	4	45	042941	Drive Shaft 1-3/4 x 19-7/8 . . . . .	1
5	H7165	Spacer Washer . . . . .	4		655510	Woodruff Key 3/8 x 1-1/4 . . . . .	1
6	H7671A	Transmission Shim .005 - Grey . . . . .	2	46	042942	Driven Shaft 1-3/4 x 15-13/16 . . . . .	1
7	H7672A	Transmission Shim .0075 - White . . . . .	2	47	042945	Clutch Spacer . . . . .	1
8	H7673A	Transmission Shim .020 - Black . . . . .	3	48	042946	Bearing Spacer . . . . .	1
9	H7747B	Shim Washer . . . . .	2	49	042947	Transmission Drive Shaft - 1-7/16 x 13-3/8 . . . . .	1
10	R13007C	Transmission Cap . . . . .	1		655507	Woodruff Key 5/16 x 1 . . . . .	2
	650055	Hex. Hd. Cap Screw 3/8 x 3/4 . . . . .	4	50	042948	Spacer . . . . .	1
	654025	Lock Washer - 3/8 . . . . .	4	51	042949	Transmission Shaft 1-1/4 x 9-11/16 1 Woodruff Key 5/16 x 1 . . . . .	2
11	R13113	Transmission Cap Gasket . . . . .	1	52	042950	Roller Drive Shaft - Upper 1-1/4 x 11-1/4 . . . . .	1
12	041916	Lock Nut . . . . .	1		655507	Woodruff Key 5/16 x 1 . . . . .	2
13	041917	Lock Washer . . . . .	1	53	042951	Roller Drive Shaft - Lower 1-1/4 x 13-1/16 . . . . .	1
14	042805	Transmission Housing . . . . .	1		655507	Woodruff Key 5/16 x 1 . . . . .	2
	570016	Relief Fitting . . . . .	1	54	042952	Spacer . . . . .	2
	650208	Soc. Hd. Set Screw 5/16 x 3/4 . . . . .	1	55	042953	Clutch Shaft 1-5/8 x 13-7/8 . . . . .	1
	660004	Pipe Plug - 1/2 . . . . .	2		655507	Woodruff Key 5/16 x 1 . . . . .	1
15	042806	Clutch Shaft Bearing . . . . .	1	56	042954	Reverse Idler Shaft 1 x 3-3/16 . . . . .	1
	650027	Hex. Hd. Cap Screw 5/16 x 1 . . . . .	4	57	042955	Spacer . . . . .	1
	654023	Lock Washer - 5/16 . . . . .	4	58	043329	Transmission Assembled . . . . .	1
16	042807	Cover Gasket . . . . .	1		650102	Hex. Hd. Cap Screw 1/2 x 1 . . . . .	4
17	042808	Clutch Shaft Bearing Gasket . . . . .	1		654029	Lock Washer - 1/2 . . . . .	4
18	042809	Transmission Housing . . . . .	1	59	043330	Hair Pin Cotter . . . . .	2
	570016	Relief Fitting . . . . .	1	60	043335	Transmission Cover . . . . .	1
	660004	Pipe Plug - 1/2 . . . . .	1		650024	Hex. Hd. Cap Screw 5/16 x 3/4 . . . . .	6
19	042810	Cover Gasket . . . . .	1		654023	Lock Washer - 5/16 . . . . .	6
20	042811	Drive Shaft Bearing - Right . . . . .	1	61	043338	Shifter Fork . . . . .	1
	650059	Hex. Hd. Cap Screw 3/8 x 1 . . . . .	4		655507	Woodruff Key 5/16 x 1 . . . . .	1
	654025	Lock Washer - 3/8 . . . . .	4	62	043677	Expansion Plug . . . . .	1
21	042813	Transmission Shim .005 - Grey . . . . .	2	63	043690	Ball Bearing . . . . .	8
22	042814	Transmission Shim .0075 - White . . . . .	2	64	043691	Ball Bearing . . . . .	2
23	042815	Transmission Shim .020 - Black . . . . .	2	65	043692	Oil Seal . . . . .	8
24	042816	Shim Washer . . . . .	1	66	043693	Oil Seal . . . . .	2
25	042817	Drive Shaft Bearing - Left . . . . .	1	67	043694	Retaining Ring . . . . .	6
	650059	Hex. Hd. Cap Screw 3/8 x 1 . . . . .	4	68	043835	Transmission Assembled . . . . .	1
	654025	Lock Washer - 3/8 . . . . .	4			(For 540 RPM Tractor PTO)	
26	042827	Double Gear (15 T - 29 T) . . . . .	1		650102	Hex. Hd. Cap Screw 1/2 x 1 . . . . .	4
27	042831	Forward Clutch Gear (29 T) . . . . .	1		654029	Lock Washer - 1/2 . . . . .	4
		(Includes H6074A Bushing)		69	043836	Bearing Cup . . . . .	3
28	042834	Reverse Idler Gear (12 T) . . . . .	1	70	043837	Bearing Cone . . . . .	3
		(Includes 17H238 Bushing)		71	043838	Oil Seal . . . . .	1
29	042836	Reverse Drive Gear (14 T) . . . . .	1	72	043839	Oil Seal . . . . .	1
30	042837	Drive Gear (15 T) . . . . .	1	73	043840	Oil Seal . . . . .	1
31	042841	Lower Roll Drive Gear (25 T) . . . . .	1	74	043841	Retaining Ring . . . . .	2
32	042845	Upper Roll Drive Gear (30 T) . . . . .	1	75	043842	Retaining Ring . . . . .	1
33	042848	Reverse Clutch Gear (25 T) . . . . .	1	76	043845	Transmission Assembled . . . . .	1
34	042849	Reverse Gear Clutch Hub . . . . .	1			(For 1000 RPM Tractor PTO)	
	650027	Hex. Hd. Cap Screw 5/16 x 1 . . . . .	4		650102	Hex. Hd. Cap Screw 1/2 x 1 . . . . .	4
	654023	Lock Washer - 5/16 . . . . .	4		654029	Lock Washer - 1/2 . . . . .	4
35	042851	Gear - 37 T . . . . .	1	77	043895	Shim Washer . . . . .	6
36	042852	Pinion - 20 T . . . . .	1	78	520046	Bearing Cup . . . . .	1
37	042853	Sliding Clutch . . . . .	1	79	520047	Bearing Cone . . . . .	1
38	042854	Bevel Gear (28 T) . . . . .	2	80	540005	Retaining Ring . . . . .	8
39	042855	Shim Washer . . . . .	13	81	540006	Retaining Ring . . . . .	2
40	042858	Shim Washer . . . . .	1	82	540014	Retaining Ring . . . . .	1
41	042864	Shim Washer . . . . .	3	83	540016	Retaining Ring . . . . .	2
42	042870	Shifter Yoke . . . . .	1				
43	042914	Shim Washer . . . . .	1				





*Where Quality is a Family Tradition*

**GEHL COMPANY WEST BEND, WISCONSIN 53095 U.S.A.**