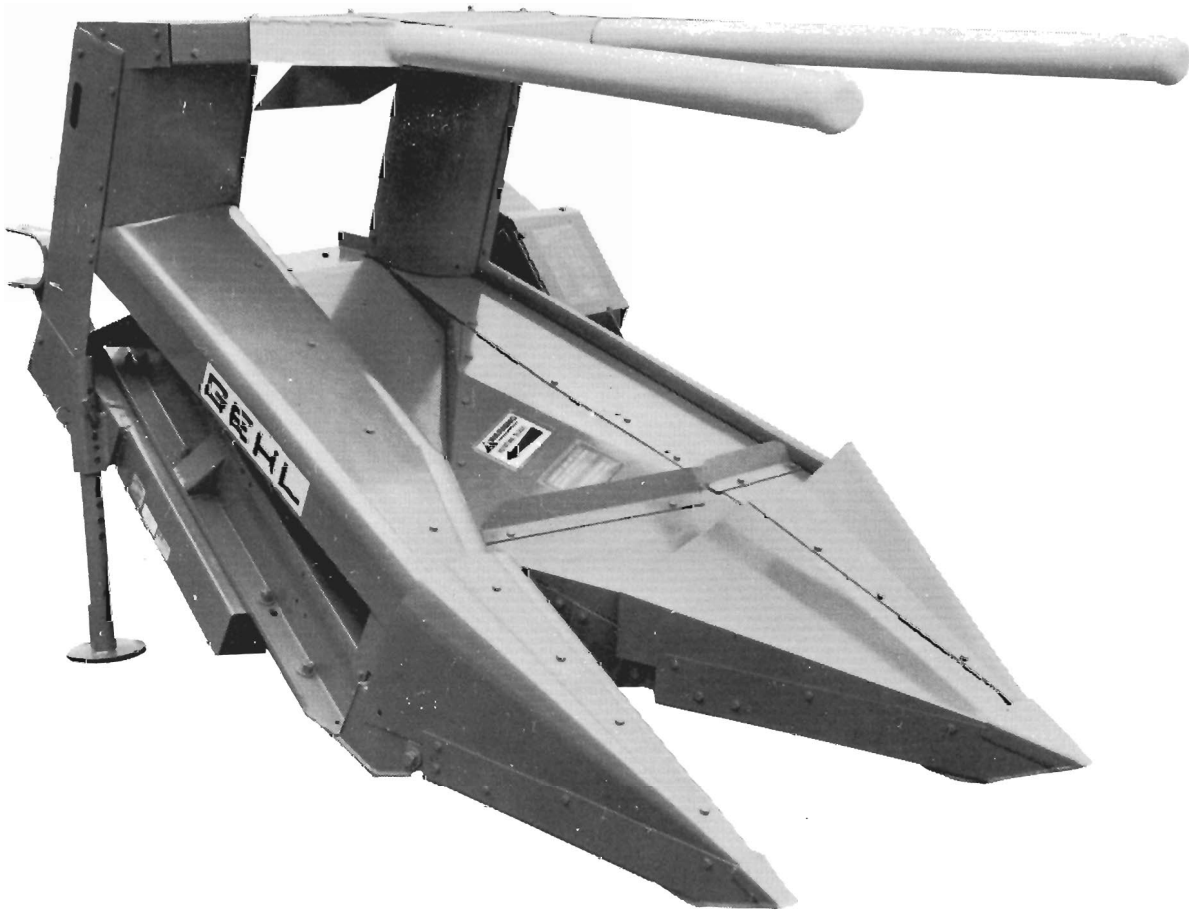


CA670

One Row Attachment



SERVICE PARTS MANUAL

Form No.
902618
Replaces
902498

G E H L[®] **C O M P A N Y**



Mr. Dealer:

Give complete information when ordering service parts. Always give complete part number and also complete part description. The model number and serial number of the unit should always be given.

Numbers for this unit are stamped on a plate located on Right Side of Main Frame next to the Right Attachment Stand.

“Right” and “Left” are determined from a position standing behind the unit and facing toward direction of travel. From this position, the Attachment Drive is on the “Left” side. “Front” is the leading side and “Rear” is the trailing side when the tractor is traveling forward.

Gehl Company reserves the right to make changes or improvements in the design or construction of any part of the unit without incurring the obligation to install such changes on any unit previously delivered.

 **IMPORTANT HARDWARE NOTICE**

Common hardware, such as nuts, cap screws, etc. are listed in the parts list but **NOT** illustrated. Hardware listed, is for mounting purposes and **NOT** included when the part is ordered for replacement.

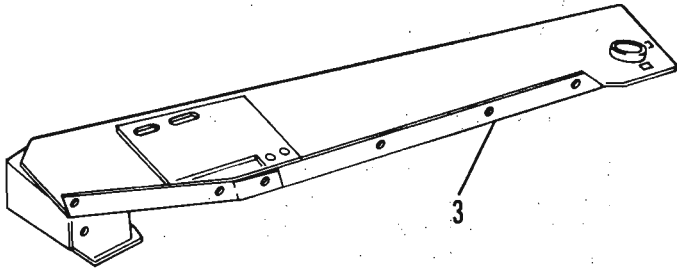
All cap screws or bolts, called-out in the parts lists, are Grade 5, Cadmium Plated unless otherwise noted. Hexagon nuts, for Grade 5 cap screws or bolts, are Grade B. Hexagon nuts for other cap screws or bolts, are Grade A unless otherwise noted.

The following abbreviations are used in this parts list:

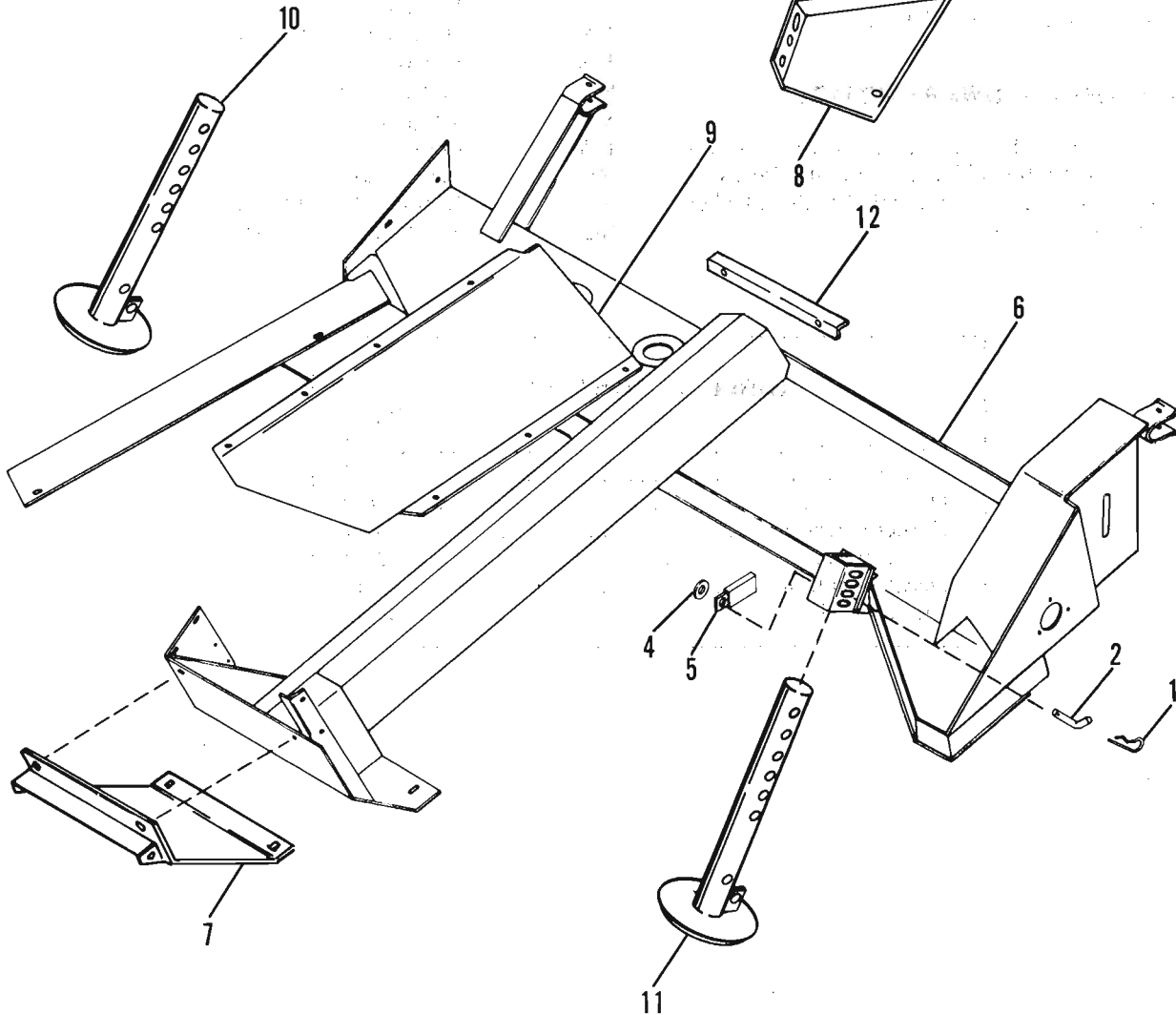
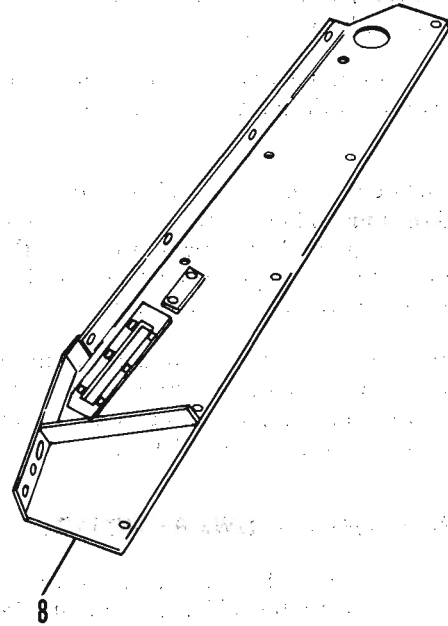
- CB - Carriage Bolt
- HHCS - Hexagon Head Cap Screw
- HTFS - Hexagon Thread-forming Screw
- PB - Plow Bolt
- PTHMS - Phillips Truss Head Machine Screw
- RHMS - Round Head Machine Screw
- RHSMS - Round Head Sheet Metal Screw
- SHSS - Socket Head Set Screw
- SQHSS - Square Head Set Screw
- HJN - Hexagon Jam Nut
- HLN - Hexagon Lock Nut
- HMN - Hexagon Machine Nut
- HN - Hexagon Nut
- SN - Slotted Nut
- WN - Wing Nut
- LW - Lock Washer
- PW - Plain Washer
- NF - National Fine (Thread)
- SL - Self-locking (Thread)

| TABLE OF CONTENTS | |
|--------------------------|-------------|
| | Page |
| Introduction | 3 |
| Frame | 4-5 |
| Divider | 6-9 |
| Gatherer Drive | 10-11 |
| Gatherer | 12-13 |
| Decal Location | 14 |
| Numerical Index | 15 |

CA670 - FRAME



IMPORTANT: Order by Part Number - DO NOT use Illustration Reference Numbers.



ALWAYS GIVE MODEL AND SERIAL NUMBER WHEN ORDERING SERVICE PARTS

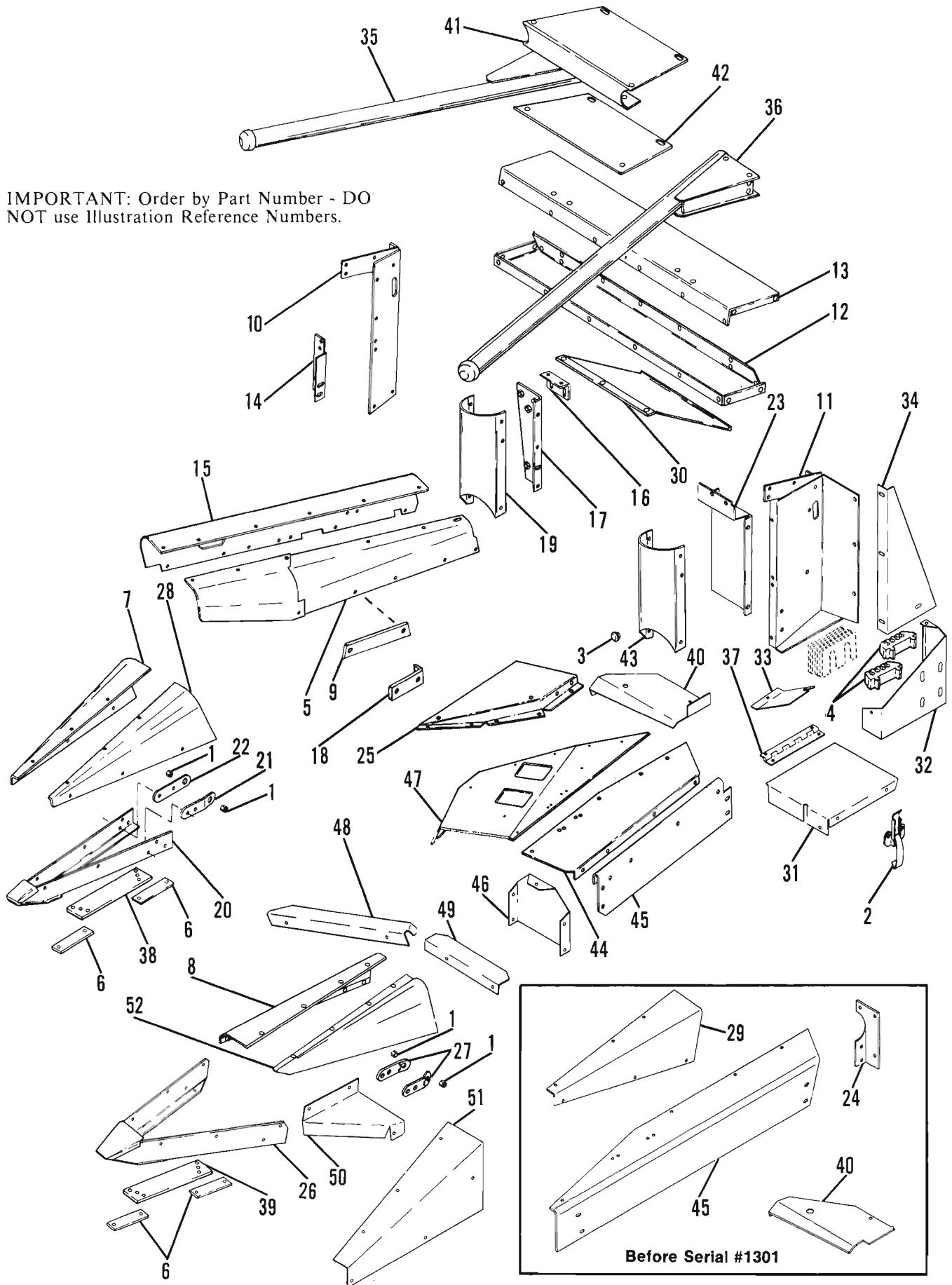
CA670 - FRAME

| Ref. No. | Part No. | Part Name | No. Req. | Ref. No. | Part No. | Part Name | No. Req. |
|----------|---|-----------------------------|----------|----------|--|----------------------------|----------|
| 1 | 9H300 | Hairpin Cotter | 2 | 7 | 063051 | Wear Shoe | 1 |
| 2 | 058294 | Stand Pin | 2 | | 650490 | HHCS 3/8 x 1 | 2 |
| 3 | 060847 | Outside Frame - Right | 1 | | 650704 | CB 3/8 x 1 | 2 |
| | 650486 | HHCS 5/16 x 3/4 | 8 | | (4) 3/8 HN 653010 - (4) 3/8 LW 654026 | | |
| | 650490 | HHCS 3/8 x 1 | 3 | | (4) 3/8 PW 654006 | | |
| | (3) 3/8 HN 653010 - (8) 5/16 HN 653007 | | | 8 | 063054 | Frame - Left Upper | 1 |
| | (3) 3/8 LW 654026 - (8) 5/16 LW 654024 | | | | 650486 | HHCS 5/16 x 3/4 | 5 |
| | (2) 3/8 PW 654006 | | | | 650573 | CB 5/16 x 1 | 6 |
| 4 | 062335 | Washer..... | 1 | | (6) 5/16 HN 653007 - (11) 5/16 LW 654024 | | |
| 5 | 062336 | Clamp | 1 | | (1) 5/16 PW 654004 | | |
| | 650545 | HHCS 5/16 x 1-1/4 | 1 | 9 | 063090 | Trough Extension | 1 |
| | (1) 5/16 HN 653007 - (1) 5/16 LW 654024 | | | | 650487 | HHCS 5/16 x 1 | 3 |
| | (1) 5/16 PW 654004 | | | | (3) 5/16 HN 653007 - (3) 5/16 LW 654024 | | |
| 6 | 063006 | Frame | 1 | | (2) 5/16 PW 654004 | | |
| | 650486 | HHCS 5/16 x 3/4 | 13 | 10 | 064322 | Stand - Right | 1 |
| | 650487 | HHCS 5/16 x 1 | 4 | 11 | 064325 | Stand - Left | 1 |
| | 650488 | HHCS 3/8 x 3/4 | 2 | 12 | 067093 | Deck Extension Angle | 1 |
| | 650490 | HHCS 3/8 x 1 | 4 | | (Used after Serial #1300) | | |
| | 650495 | HHCS 1/2 x 1-1/4 | 2 | | 650486 | HHCS 5/16 x 3/4 | 2 |
| | 650745 | CB 5/16 x 1-1/4..... | 1 | | (2) 5/16 HN 653007 - (2) 5/16 LW 654024 | | |
| | 650704 | CB 3/8 x 1 | 3 | | | | |
| | (17) 5/16 HN 653007 - (9) 3/8 HN 653010 | | | | | | |
| | (2) 1/2 HN 653018 - (1) 5/16 HLN 650804 | | | | | | |
| | (17) 5/16 LW 654024 - (9) 3/8 LW 654026 | | | | | | |
| | (2) 1/2 LW 654030 - (6) 3/8 PW 654006 | | | | | | |
| | (15) 5/16 PW 654004 - (4) 1/2 PW 654009 | | | | | | |

ALWAYS GIVE MODEL AND SERIAL NUMBER WHEN ORDERING SERVICE PARTS

CA670 - DIVIDER

IMPORTANT: Order by Part Number - DO NOT use Illustration Reference Numbers.

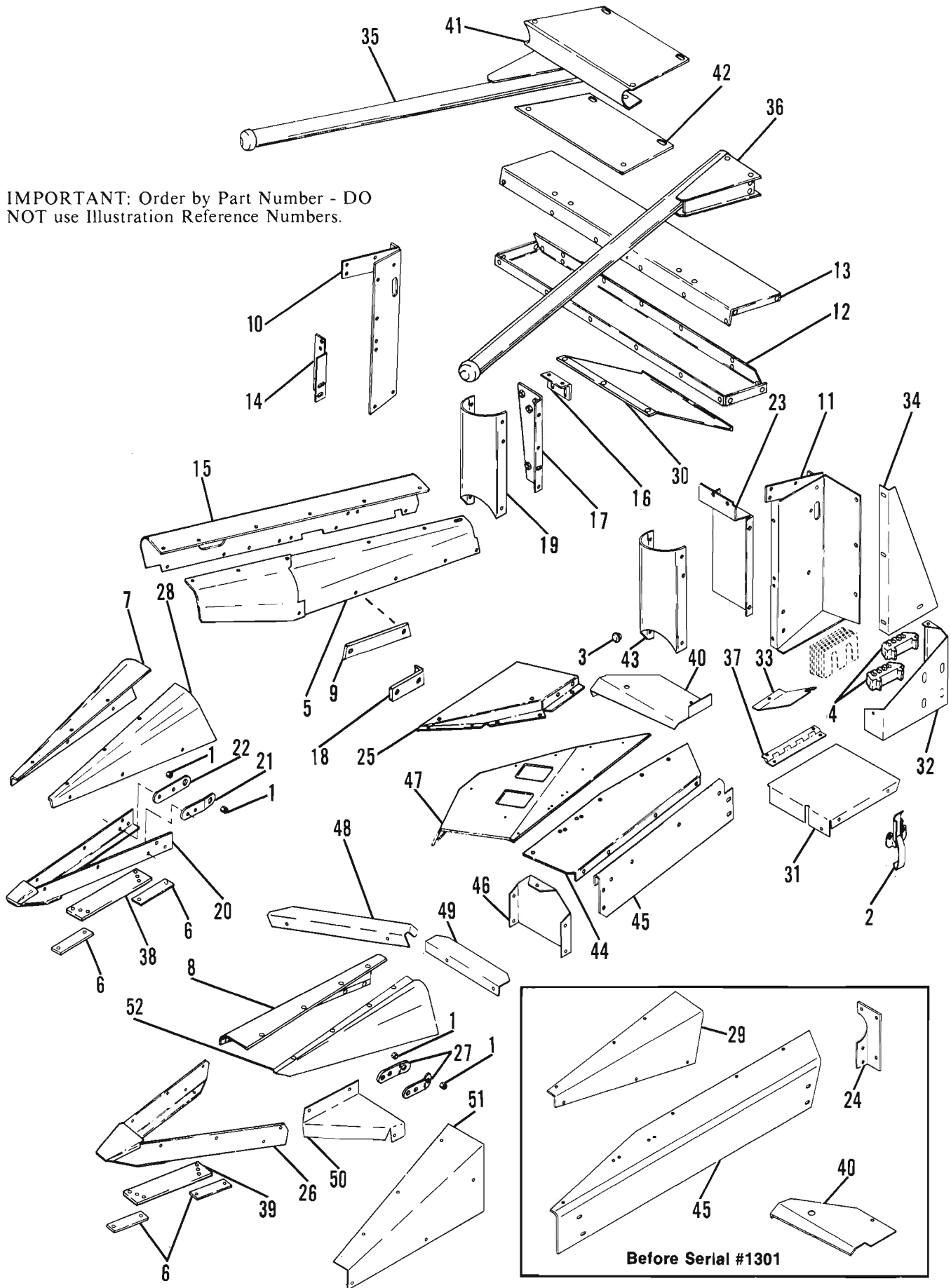


CA670 - DIVIDER

| Ref. No. | Part No. | Part Name | No. Req. | Ref. No. | Part No. | Part Name | No. Req. |
|----------|----------|--------------------------------------|----------|----------|----------|-------------------------------------|----------|
| 1 | 6H130 | Pivot Bearing | 4 | 24 | 063118 | Rear Deck Support - Left | 1 |
| | 650453 | HHCS 1/2 x 1-1/2 | 4 | | | (Used before Serial #1301) | |
| | (2) | 1/2 HN 653018 - (4) 1/2 LW 654030 | | 25 | 063121 | Rear Deck | 1 |
| | (4) | 1/2 PW 654009 | | 26 | 063128 | Left Point | 1 |
| 2 | 044116 | Latch | 1 | | 650486 | HHCS 5/16 x 3/4 | 5 |
| | 650812 | RHMS #1224 x 1/2 | 2 | | 650490 | HHCS 3/8 x 1 | 4 |
| | (2) | #1224 HMN 650627 - (2) #12 LW 650813 | | | 650704 | CB 3/8 x 1 | 2 |
| 3 | 052046 | Plastic Plug | 2 | | (5) | 5/16 HN 653007 - (6) 3/8 HN 653010 | |
| 4 | 059272 | Shear Bolt Holder | 2 | | (5) | 5/16 LW 654024 - (6) 3/8 LW 654026 | |
| 5 | 060894 | Fender - Right | 1 | | (2) | 3/8 PW 654006 | |
| | 650486 | HHCS 5/16 x 3/4 | 1 | 27 | 063133 | Left Point Hinge | 2 |
| | (1) | 5/16 HN 653007 - (1) 5/16 LW 654024 | | 28 | 063134 | Inside Sheet - Right | 1 |
| 6 | 060904 | Point Strap Reinforcement | 4 | 29 | 063135 | Inner Sheet - Left | 1 |
| 7 | 060928 | Point Sheet - Right | 1 | | | (Used before Serial #1301) | |
| | 650486 | HHCS 5/16 x 3/4 | 3 | 30 | 063136 | Throat Deflector | 1 |
| | 650545 | HHCS 5/16 x 1-1/4 | 1 | | 650486 | HHCS 5/16 x 3/4 | 3 |
| | (4) | 5/16 HN 653007 - (4) 5/16 LW 654024 | | | (3) | 5/16 LW 654024 | |
| 8 | 060929 | Point Sheet - Left | 1 | 31 | 063138 | Gear Cover | 1 |
| 9 | 062363 | Point Wear Strip | 1 | | 650486 | HHCS 5/16 x 3/4 | 6 |
| | 650486 | HHCS 5/16 x 3/4 | 1 | | (6) | 5/16 HN 653007 - (6) 5/16 LW 654024 | |
| | (1) | 5/16 HN 653007 - (1) 5/16 LW 654024 | | 32 | 063139 | Gear Cover Side | 1 |
| 10 | 063079 | Deflector Support - Right | 1 | 33 | 063140 | Shaft Cover | 1 |
| | (4) | 5/16 HN 653007 - (9) 5/16 LW 654024 | | | 650486 | HHCS 5/16 x 3/4 | 1 |
| | (2) | 5/16 PW 654004 | | | (1) | 5/16 HN 653007 - (1) 5/16 LW 650486 | |
| 11 | 063082 | Deflector Support - Left | 1 | 34 | 063141 | Support Extension | 1 |
| | 650486 | HHCS 5/16 x 3/4 | 11 | 35 | 063142 | Crop Deflector - Right | 1 |
| | (5) | 5/16 HN 653007 - (11) 5/16 LW 654024 | | | 650486 | HHCS 5/16 x 3/4 | 2 |
| | (5) | 5/16 PW 654004 | | | (2) | 5/16 LW 654024 | |
| 12 | 063086 | Deflector Frame | 1 | 36 | 063146 | Crop Deflector - Left | 1 |
| 13 | 063088 | Frame Cover | 1 | | 650486 | HHCS 5/16 x 3/4 | 4 |
| | 650486 | HHCS 5/16 x 3/4 | 10 | | (4) | 5/16 LW 654024 | |
| | (10) | 5/16 LW 654024 | | 37 | 064000 | Hinge | 1 |
| 14 | 063101 | Fender Support - Right | 1 | | 650486 | HHCS 5/16 x 3/4 | 2 |
| 15 | 063102 | Outside Fender - Right | 1 | | (2) | 5/16 HN 653007 - (2) 5/16 LW 654024 | |
| | 650486 | HHCS 5/16 x 3/4 | 7 | 38 | 064060 | Point Strap - Right | 1 |
| | 650545 | HHCS 5/16 x 1-1/4 | 1 | 39 | 064061 | Point Strap - Left | 1 |
| | (8) | 5/16 HN 653007 - (8) 5/16 LW 654024 | | 40 | 067091 | Deck Cap | 1 |
| | (2) | 5/16 PW 654004 | | | | (Used after Serial #1300) | |
| 16 | 063103 | Throat Bracket | 1 | | 063119 | Deck Cap | 1 |
| | 650486 | HHCS 5/16 x 3/4 | 2 | | | (Used before Serial #1301) | |
| | (2) | 5/16 LW 654024 | | | 650486 | HHCS 5/16 x 3/4 | 1 |
| 17 | 063104 | Vertical Fender Support | 1 | | (1) | 5/16 LW 654024 | |
| | 650486 | HHCS 5/16 x 3/4 | 2 | 41 | 067094 | Crop Bumper - Upper | 1 |
| | (2) | 5/16 HN 653007 - (2) 5/16 LW 654024 | | | | (Used after Serial #1300) | |
| | (2) | 5/16 PW 654004 | | | 650486 | HHCS 5/16 x 3/4 | 2 |
| 18 | 063105 | Fender Filler - Right | 1 | | (2) | 5/16 LW 654024 - (2) 5/16 PW 654004 | |
| | 650486 | HHCS 5/16 x 3/4 | 1 | 42 | 067095 | Crop Bumper - Lower | 1 |
| | (1) | 5/16 HN 653007 - (1) 5/16 LW 654024 | | | | (Used after Serial #1300) | |
| | (1) | 5/16 PW 654004 | | | 650486 | HHCS 5/16 x 3/4 | 4 |
| 19 | 063106 | Vertical Fender - Right | 1 | | (2) | 5/16 HN 653007 - (4) 5/16 LW 654024 | |
| | 650486 | HHCS 5/16 x 3/4 | 4 | | (2) | 5/16 PW 654004 | |
| | (4) | 5/16 HN 653007 - (4) 5/16 LW 654024 | | 43 | 067096 | Vertical Fender - Left | 1 |
| 20 | 063109 | Point Frame | 1 | | 650486 | HHCS 5/16 x 3/4 | 3 |
| | 650486 | HHCS 5/16 x 3/4 | 10 | | (3) | 5/16 LW 654024 | |
| | (10) | 5/16 HN 653007 - (10) 5/16 LW 654024 | | 44 | 067098 | Front Deck - Left | 1 |
| 21 | 063112 | Inside Hinge | 1 | | | (Used after Serial #1300) | |
| 22 | 063113 | Outside Hinge | 1 | | 650486 | HHCS 5/16 x 3/4 | 6 |
| 23 | 063114 | Vertical Fender Support - Left ... | 1 | | 650545 | HHCS 5/16 x 1-1/4 | 1 |
| | | | | | (7) | 5/16 HN 653007 - (7) 5/16 LW 654024 | |

CA670 - DIVIDER

IMPORTANT: Order by Part Number - DO NOT use Illustration Reference Numbers.

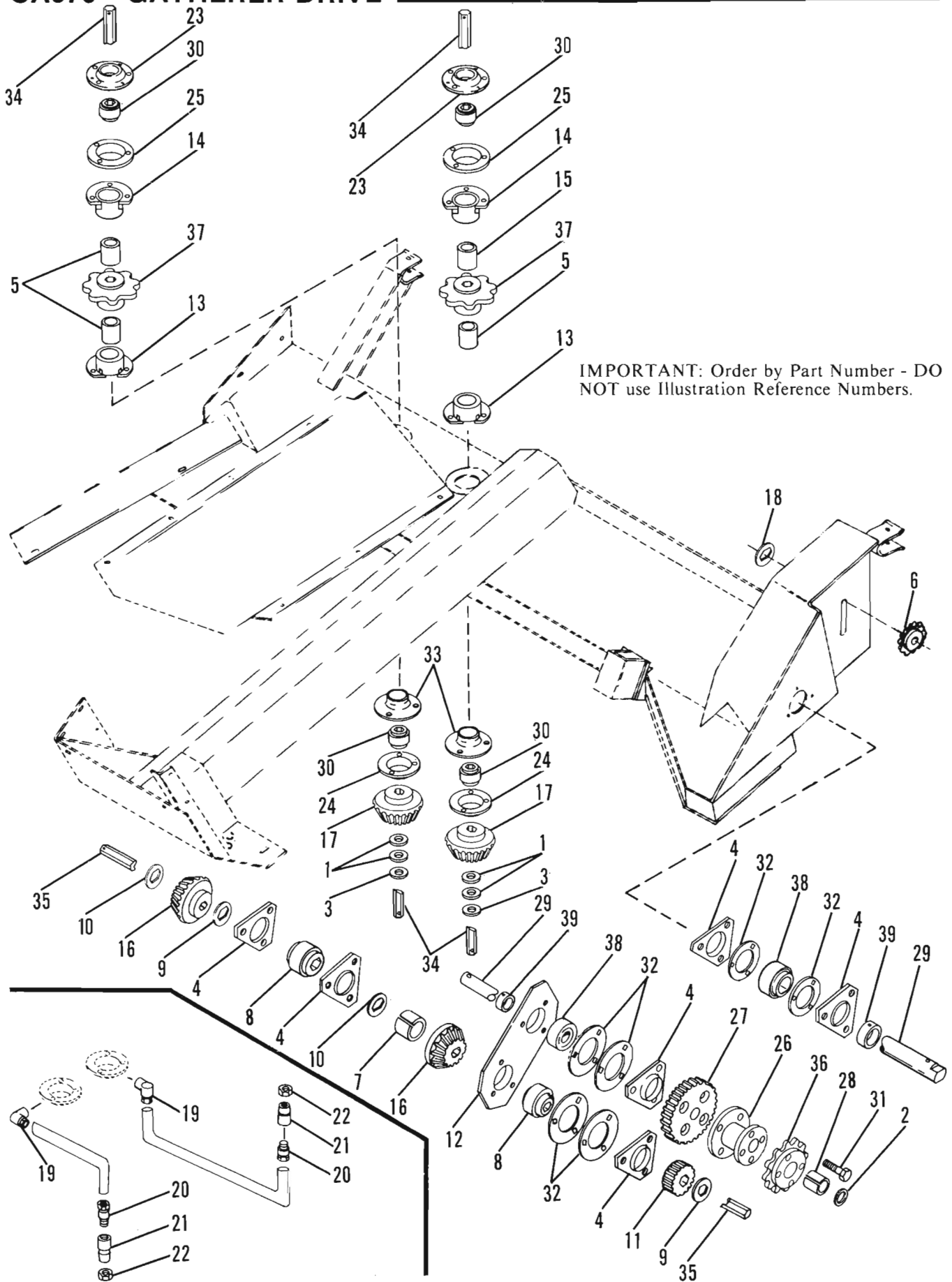


CA670 - DIVIDER

| Ref. No. | Part No. | Part Name | No. Req. | Ref. No. | Part No. | Part Name | No. Req. |
|----------|----------|---|----------|----------|----------|--------------------------------|----------|
| 45 | 067099 | Fender - Left | 1 | 49 | 067104 | Cob Baffle - Left | 1 |
| | | (Used after Serial #1300) | | | | (Used after Serial #1300) | |
| | 063127 | Fender - Left | 1 | | 650486 | HHCS 5/16 x 3/4 | 2 |
| | 650486 | HHCS 5/16 x 3/4 | 8 | | (2) 5/16 | HN 653007 - (2) 5/16 LW 654024 | |
| | | (8) 5/16 HN 653007 - (8) 5/16 LW 654024 | | 50 | 067105 | Cone Mount | 1 |
| | | (2) 5/16 PW 654004 | | | | (Used after Serial #1300) | |
| 46 | 067100 | Deck Mount - Front | 1 | | 650486 | HHCS 5/16 x 3/4 | 1 |
| | | (Used after Serial #1300) | | | (1) 5/16 | HN 653007 - (1) 5/16 LW 654024 | |
| | 650486 | HHCS 5/16 x 3/4 | 2 | 51 | 067106 | Point Support..... | 1 |
| | | (2) 5/16 HN 653007 - (2) 5/16 LW 654024 | | | | (Used after Serial #1300) | |
| 47 | 067101 | Front Deck | 1 | 52 | 067107 | Outside Sheet - Left | 1 |
| 48 | 067103 | Cob Baffle - Right | 1 | | | (Used after Serial #1300) | |
| | | (Used after Serial #1300) | | | 650486 | HHCS 5/16 x 3/4 | 3 |
| | 650486 | HHCS 5/16 x 3/4 | 2 | | 650545 | HHCS 5/16 x 1-1/4 | 1 |
| | | (2) 5/16 HN 653007 - (2) 5/16 LW 654024 | | | (4) 5/16 | HN 653007 - (4) 5/16 LW 654024 | |
| | | | | | (1) 5/16 | PW 654004 | |

ALWAYS GIVE MODEL AND SERIAL NUMBER WHEN ORDERING SERVICE PARTS

CA670 - GATHERER DRIVE



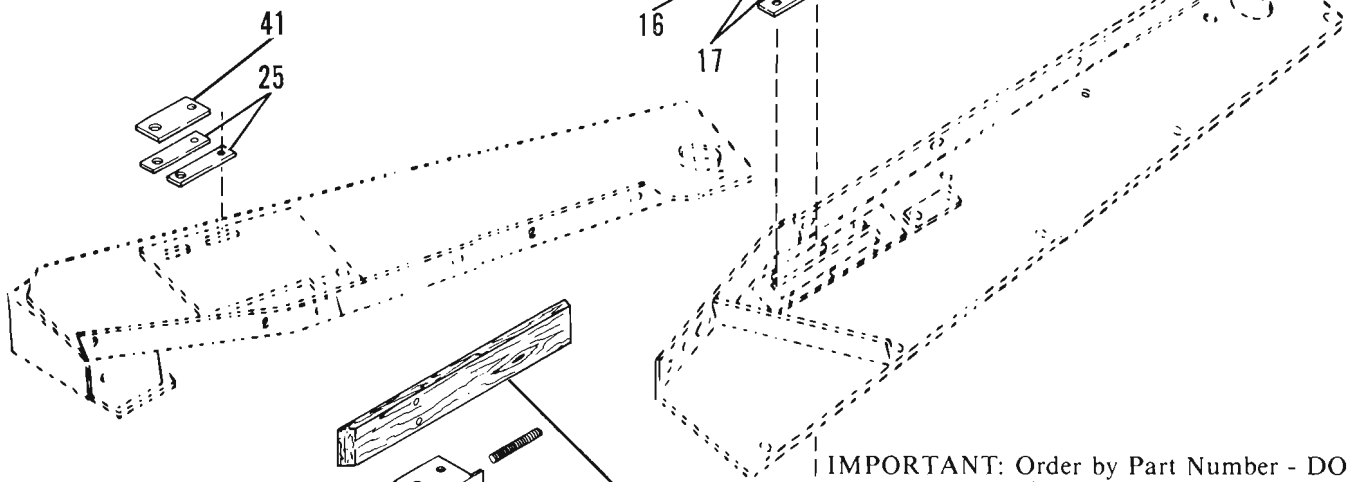
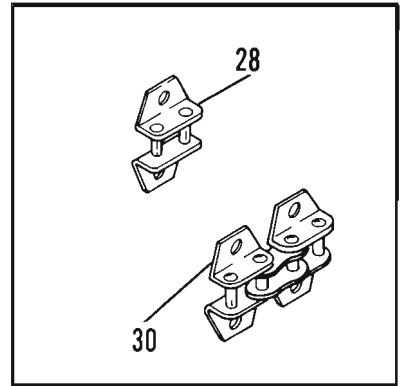
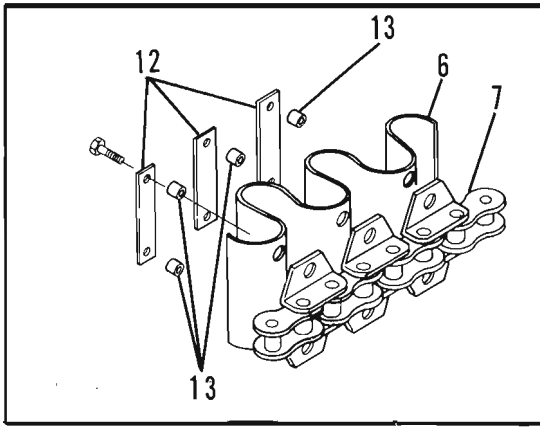
CA670 - GATHERER DRIVE

| Ref. No. | Part No. | Part Name | No. Req. | Ref. No. | Part No. | Part Name | No. Req. |
|----------|----------|----------------------------------|-----------|----------|----------|-----------------------------------|----------|
| 1 | 7H73 | Washer | As Req'd. | 24 | 061916 | Bearing Retainer | 2 |
| 2 | H267A | Washer | 6 | | 650490 | HHCS 3/8 x 1 | 6 |
| 3 | H7126 | Washer | As Req'd. | | (6) 3/8 | LW 654026 | |
| 4 | H8334 | Bearing Retainer | 6 | 25 | 061918 | Bearing Retainer | 2 |
| | 650704 | CB 3/8 x 1 | 9 | 26 | 062071 | Shear Flange..... | 1 |
| | (9) 3/8 | HN 653010 - (9) 3/8 LW 654026 | | 27 | 062076 | Gear (33T)..... | 1 |
| 5 | H8381 | Spacer | 3 | | 650453 | HHCS 1/2 x 1-1/2 | 4 |
| 6 | C14118 | Idler Sprocket (15T) | 1 | | (4) 1/2 | HN 653018 - (4) 1/2 LW 654030 | |
| | 650797 | CB 5/8 x 3 | 1 | 28 | 062077 | Spacer | 1 |
| | (1) 5/8 | HN 653021 - (1) 5/8 LW 654032 | | 29 | 062079 | Jack Shaft | 1 |
| | (9) 5/8 | PW 654012 | | | 650513 | Woodruff Key 1/4 x 1 Hard ... | 1 |
| 7 | 042948 | Spacer | 1 | | 655022 | Cotterpin 3/16 x 1-1/4 | 2 |
| 8 | 044260 | Ball Bearing 1" Hex. | 2 | 30 | 062261 | Ball Bearing 7/8" Hex. | 4 |
| 9 | 045819 | Washer | As Req'd. | 31 | 062453 | Shear Bolt 1/4 x 1-1/2 Grade 5 .. | 1 |
| 10 | 046145 | Washer | As Req'd. | | (1) 1/4 | HN 653005 - (1) 1/4 LW 654022 | |
| 11 | 057048 | Gear (18T)..... | 1 | 32 | 062741 | Bearing Retainer Shim | 6 |
| 12 | 057068 | Bearing Retainer | 1 | 33 | 063060 | Bearing Retainer | 2 |
| 13 | 058189 | Shaft Guard - Lower..... | 2 | 34 | 063078 | Vertical Shaft | 2 |
| 14 | 058191 | Shaft Guard - Upper..... | 2 | | 655020 | Cotterpin 3/16 x 1-1/2 | 4 |
| 15 | 058196 | Spacer | 1 | 35 | 063100 | Cross Shaft | 1 |
| 16 | 058448 | Drive Gear (17T) 1" Hex..... | 2 | | 655020 | Cotterpin 3/16 x 1-1/2 | 2 |
| 17 | 058449 | Driven Gear (17T) 7/8" Hex. Bore | 2 | 36 | 063137 | Shear Sprocket (21T) | 1 |
| 18 | 058564 | Washer | 1 | 37 | 065637 | Sprocket (8T) | 2 |
| 19 | 061843 A | Snap-On Coupler | 2 | 38 | 520065 | Ball Bearing | 2 |
| 20 | 061845 A | Tube Connector | 2 | 39 | 520085 | Bearing Lock Collar | 2 |
| 21 | 061847 | Bulkhead Connector | 2 | | | | |
| 22 | 061848 | Bulkhead Nut | 2 | | | | |
| 23 | 061915 | Bearing Retainer | 2 | | | | |
| | 650490 | HHCS 3/8 x 1 | 6 | | | | |
| | (6) 3/8 | LW 654026 | | | | | |

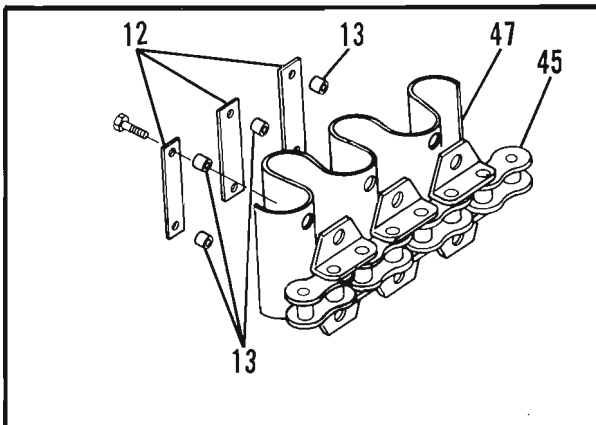
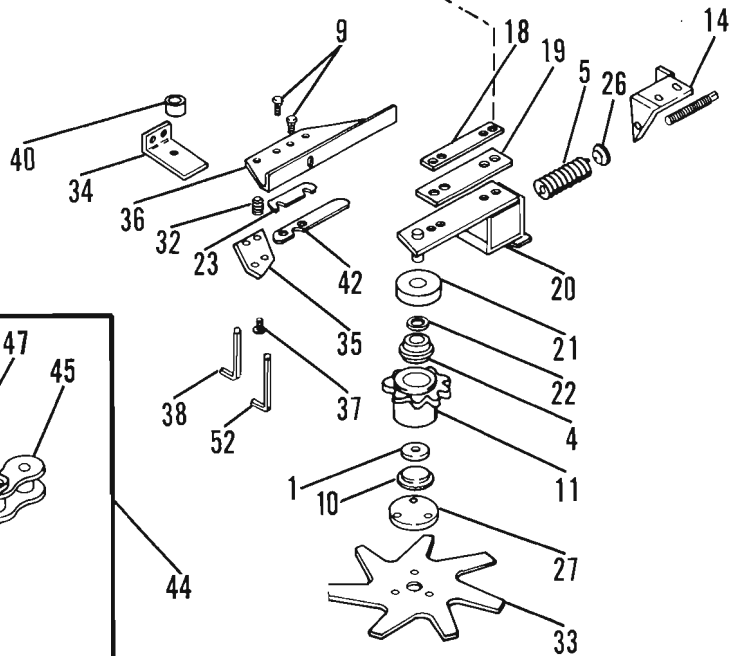
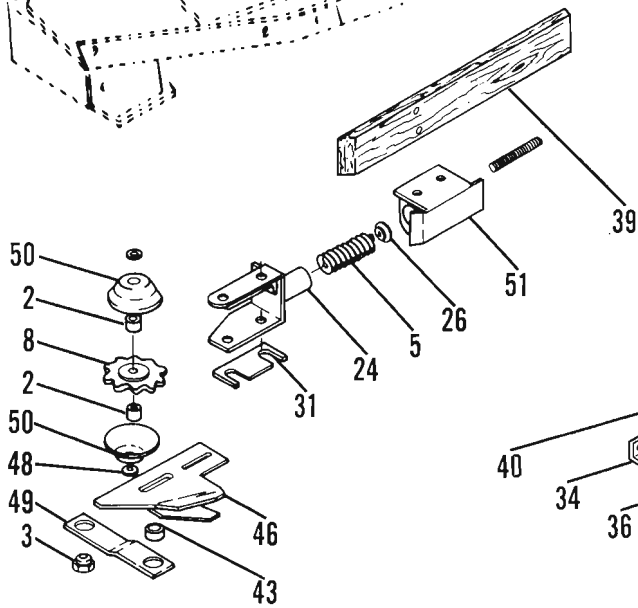
A To repair a broken or damaged Grease Line, order Tubing Kit 065185. (Instructions for Grease Line Repair are included with the Kit).

ALWAYS GIVE MODEL AND SERIAL NUMBER WHEN ORDERING SERVICE PARTS

CA670 - GATHERER



IMPORTANT: Order by Part Number - DO NOT use Illustration Reference Numbers.



CA670 - GATHERER

| Ref. No. | Part No. | Part Name | No. Req. | Ref. No. | Part No. | Part Name | No. Req. |
|----------|---|--|-----------|----------|---|---|-----------|
| 1 | H6208 | Washer..... | 1 | 27 | 058290 | Rotor Shim..... | 6 |
| | 650494 | HHCS 1/2 x 1..... | 1 | 28 | 058306 | Connecting Link..... | As Req'd. |
| | (1) 1/2 LW 654030 | | | 29 | 058429 | Gatherer Chain Assembled - 54 Links..... | 1 |
| 2 | 041465 | Spacer..... | 2 | 30 | 058432 | Replacement Connecting Links..... | As Req'd. |
| 3 | 046866 | Adjustment Cam..... | 1 | 31 | 058671 | Crop Guide Shim..... | As Req'd. |
| | 650585 | HHCS 1/2 x 2..... | 1 | | 650491 | HHCS 3/8 x 1-1/4..... | 1 |
| | (1) 1/2 HN 653018 - (1) 1/2 LW 654030 | | | | (1) 3/8 LW 654026 - (1) 3/8 PW 654006 | | |
| | (1) 1/2 PW 654009 | | | 32 | 058993 | Knife Adjustment Bolt..... | 2 |
| 4 | 056670 | Tapered Bearing..... | 1 | 33 | 059076 | Rotor..... | 1 |
| 5 | 056821 | Compression Spring..... | 2 | | 650545 | HHCS 5/16 x 1-1/4..... | 3 |
| 6 | 056836 | Gatherer Belt..... | 1 | | (3) 5/16 LW 654024 | | |
| 7 | 056842 | Gatherer Chain Assembled - 53 Links (Including 27 (058432) Plain Links and 26 (058306) Attachment Links)..... | 1 | 34 | 059142 | Hanger..... | 1 |
| 8 | 056849 | Idler Sprocket (10T)..... | 1 | 35 | 059286 | Knife..... | 1 |
| 9 | 057066 | Knife Nut..... | 2 | 36 | 059352 | Knife Carrier..... | 1 |
| 10 | 057067 | Hole Plug..... | 1 | | 650704 | CB 3/8 x 1..... | 1 |
| 11 | 057072 | Rotor Sprocket (10T)..... | 1 | | 650786 | CB 3/8 x 1-1/4..... | 3 |
| 12 | 057079 | Belt Gatherer Clip..... | As Req'd. | | 650860 | CB 3/8 x 1-3/4..... | 2 |
| | 650448 | HHCS 1/4 x 3/4..... | As Req'd. | | (6) 3/8 HN 653010 - (6) 3/8 LW 654026 | | |
| | 650803 | HLN 1/4..... | As Req'd. | | (1) 3/8 PW 654006 | | |
| 13 | 058095 | Belt Gatherer Spacer..... | As Req'd. | 37 | 059357 | Knife Bolt..... | 2 |
| 14 | 058100 | Anchor..... | 1 | 38 | 059358 | Torque Wrench..... | 1 |
| | 650487 | HHCS 5/16 x 1..... | 2 | 39 | 059438 | Chain Board..... | 1 |
| | 650847 | SHSS 5/8 x 4..... | 1 | | 650745 | CB 5/16 x 1-1/4..... | 1 |
| | (2) 5/16 HN 653007 - (1) 5/8 HN 653021 | | | | (1) 5/16 HN 653007 - (1) 5/16 LW 654024 | | |
| | (2) 5/16 LW 654024 - (2) 5/16 PW 654004 | | | 40 | 060571 | Spacer..... | 1 |
| 15 | 058136 | Slide Rail..... | 2 | 41 | 061028 | Hanger Yoke Plate..... | 1 |
| 16 | 058137 | Slide Hanger..... | 1 | | 650162 | HHCS 5/8 x 6-1/2..... | 1 |
| | 650585 | HHCS 1/2 x 2..... | 2 | | (1) 5/8 HN 653021 - (1) 5/8 LW 654032 | | |
| | (2) 1/2 LW 654030 | | | | (2) 5/8 PW 654012 | | |
| 17 | 058138 | Shim..... | 4 | 42 | 061029 | Hanger Strap..... | 1 |
| 18 | 058139 | Slide..... | 1 | 43 | 061122 | Spacer..... | 1 |
| | 650692 | HHCS 5/16 x 1-3/4..... | 2 | 44 | 063058A | Gatherer Chain Assembled 52 Links..... | 1 |
| | (2) 5/16 LW 654024 | | | 45 | 063059 | Chain - 51 Links (Includes 26 (058432) Plain Links and 25 (058306) Attachment Links ... | 1 |
| 19 | 058140 | Slide Support..... | 1 | 46 | 063096 | Crop Guide - Right..... | 1 |
| 20 | 058141 | Carrier Disc..... | 1 | 47 | 063151 | Gatherer Belt..... | 1 |
| 21 | 058155 | Rotor Hub Shield..... | 1 | 48 | 065756 | Washer..... | 2 |
| 22 | 058156 | Spacer..... | 1 | 49 | 065757 | Gatherer Idler Strut..... | 1 |
| 23 | 058159 | Hanger Shim..... | As Req'd. | 50 | 065758 | Idler Shield..... | 2 |
| 24 | 058163 | Idler Yoke..... | 1 | 51 | 065833 | Idler Anchor - Right..... | 1 |
| | 650577 | HHCS 5/16 x 1-1/2..... | 1 | | 650847 | SQHSS 5/8 x 4..... | 1 |
| | 650860 | CB 3/8 x 1-3/4..... | 1 | | (1) 5/8 HN 653021 | | |
| | (1) 3/8 HN 653010 - (1) 5/16 HN 653007 | | | 52 | 066632 | Hexagon Wrench 1/4..... | 1 |
| | (1) 3/8 LW 654026 - (1) 5/16 LW 654024 | | | | | | |
| | (1) 3/8 PW 654006 | | | | | | |
| 25 | 058173 | Idler Yoke Shim..... | 2 | | | | |
| 26 | 058199 | Spring Plug..... | 2 | | | | |

A For Repair, order one part #065176.

ALWAYS GIVE MODEL AND SERIAL NUMBER WHEN ORDERING SERVICE PARTS

CA670 - DECAL LOCATION

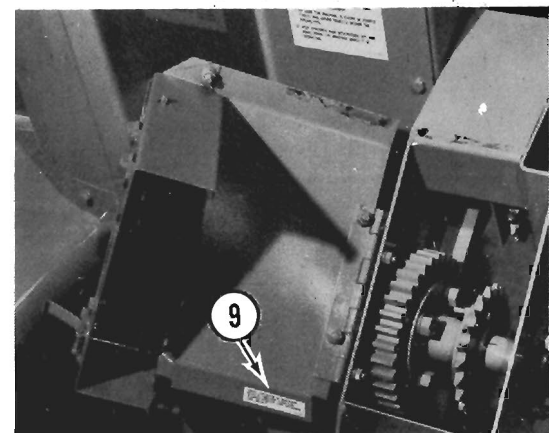
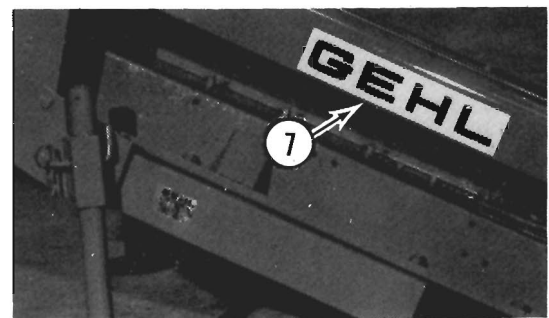
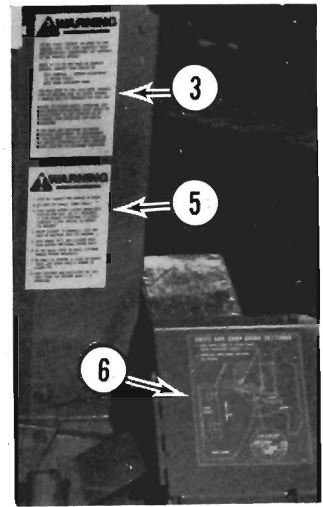
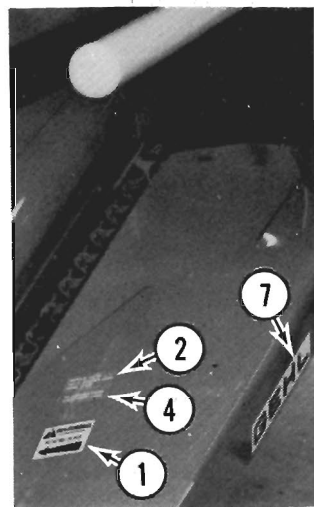
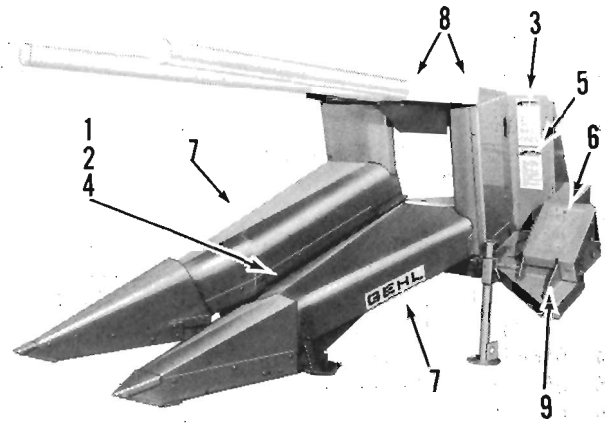
Decal Locations are shown to assist in application of new decals in the event of damage to the decal or refinishing of the machine. Check below for their locations.

Surfaces **MUST** be free from dirt, dust, grease and other foreign material before applying decals. To apply decals, remove the smaller portion of the decal backing paper and apply this part of the exposed adhesive backing to the clean surface in respective position. Peel other portion of the backing paper off slowly and apply decal.

The Decal Set Number for the CA670 is 061078. The set includes the following decals:

- 1 - 063427 Warning - Rotating Blade
- 2 - 058302 Chain Adjustment - Gap Setting
- 3 - 060144 Warning - Read Operator's Manual
- 4 - 058303 Oil Gatherer Chain
- 5 - 060140 Warning - General
- 6 - 060989 Crop Guide Setting
- 7 - 061201 GEHL (2 Places)
- 8 - 061187 Grease Fitting (Two Places) - Not Shown
- 9 - 059585 Decal - Shear Bolts

NOTE: Discard Decals which are NOT required for your particular model Attachment.



CA670 - NUMERICAL INDEX

| Part No. | Page No. | Part No. | Page No. | Part No. | Page No. |
|---------------|----------|---------------|----------|---------------|----------|
| 7H73 | 11 | 059272 | 7 | 063128 | 7 |
| H7126 | 11 | 059286 | 13 | 063133 | 7 |
| 6H130 | 7 | 059352 | 13 | 063134 | 7 |
| H267A | 11 | 059357 | 13 | 063136 | 7 |
| 9H300 | 5 | 059358 | 13 | 063137 | 11 |
| H6208 | 13 | 059438 | 13 | 063138 | 7 |
| H8334 | 11 | 060000 | | 063139 | 7 |
| H8381 | 11 | 060571 | 13 | 063140 | 7 |
| C14118 | 11 | 060847 | 5 | 063141 | 7 |
| 040000 | | 060894 | 7 | 063142 | 7 |
| 041465 | 13 | 060904 | 7 | 063146 | 7 |
| 042948 | 11 | 060928 | 7 | 063151 | 13 |
| 044116 | 7 | 060929 | 7 | 064000 | 7 |
| 044260 | 11 | 061028 | 13 | 064060 | 7 |
| 045819 | 11 | 061029 | 13 | 064061 | 7 |
| 046145 | 11 | 061122 | 13 | 064322 | 5 |
| 046866 | 13 | 061843 | 11 | 064325 | 5 |
| 050000 | | 061845 | 11 | 065637 | 11 |
| 052046 | 7 | 061847 | 11 | 065756 | 13 |
| 056670 | 13 | 061848 | 11 | 065757 | 13 |
| 056821 | 13 | 061915 | 11 | 065758 | 13 |
| 056836 | 13 | 061916 | 11 | 065833 | 13 |
| 056842 | 13 | 061918 | 11 | 066632 | 13 |
| 056849 | 13 | 062071 | 11 | 067091 | 7 |
| 057048 | 11 | 062076 | 11 | 067093 | 5 |
| 057066 | 13 | 062077 | 11 | 067094 | 7 |
| 057067 | 13 | 062079 | 11 | 067095 | 7 |
| 057068 | 11 | 062261 | 11 | 067096 | 7 |
| 057072 | 13 | 062335 | 5 | 067098 | 7 |
| 057079 | 13 | 062336 | 5 | 067099 | 9 |
| 058095 | 13 | 062363 | 7 | 067100 | 9 |
| 058100 | 13 | 062453 | 11 | 067101 | 9 |
| 058136 | 13 | 062741 | 11 | 067103 | 9 |
| 058137 | 13 | 063006 | 5 | 067104 | 9 |
| 058138 | 13 | 063051 | 5 | 067105 | 9 |
| 058139 | 13 | 063054 | 5 | 067106 | 9 |
| 058140 | 13 | 063058 | 13 | 067107 | 9 |
| 058141 | 13 | 063059 | 13 | 520000 | |
| 058155 | 13 | 063060 | 11 | 520065 | 11 |
| 058156 | 13 | 063078 | 11 | 520085 | 11 |
| 058159 | 13 | 063079 | 7 | | |
| 058163 | 13 | 063082 | 7 | | |
| 058173 | 13 | 063086 | 7 | | |
| 058189 | 11 | 063088 | 7 | | |
| 058191 | 11 | 063090 | 5 | | |
| 058196 | 11 | 063096 | 13 | | |
| 058199 | 13 | 063100 | 11 | | |
| 058290 | 13 | 063101 | 7 | | |
| 058294 | 5 | 063102 | 7 | | |
| 058306 | 13 | 063103 | 7 | | |
| 058429 | 13 | 063104 | 7 | | |
| 058432 | 13 | 063105 | 7 | | |
| 058448 | 11 | 063106 | 7 | | |
| 058449 | 11 | 063109 | 7 | | |
| 058564 | 11 | 063112 | 7 | | |
| 058671 | 13 | 063113 | 7 | | |
| 058993 | 13 | 063114 | 7 | | |
| 059076 | 13 | 063121 | 7 | | |
| 059142 | 13 | 063127 | 9 | | |

GEHL®

FARM EQUIPMENT

GEHL COMPANY WEST BEND, WISCONSIN 53095 U.S.A.