

BEFCO

Parts Manual

BM6-800

Bushmaster Chipper

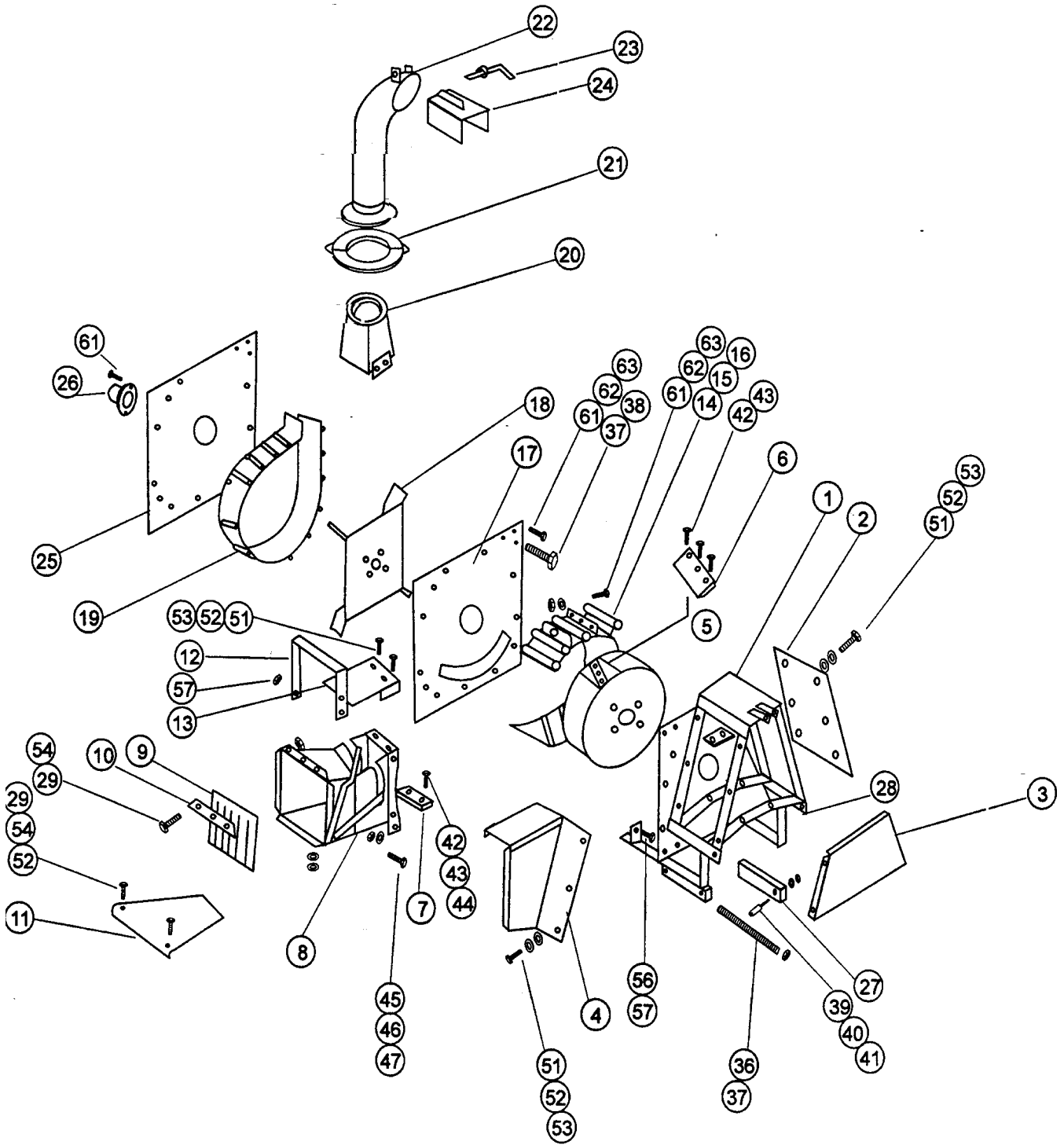
- ▶ Frame
- ▶ Drive
- ▶ Driveline



Edition: May 2002



Bushmaster
19-BM6-800
Main Frame



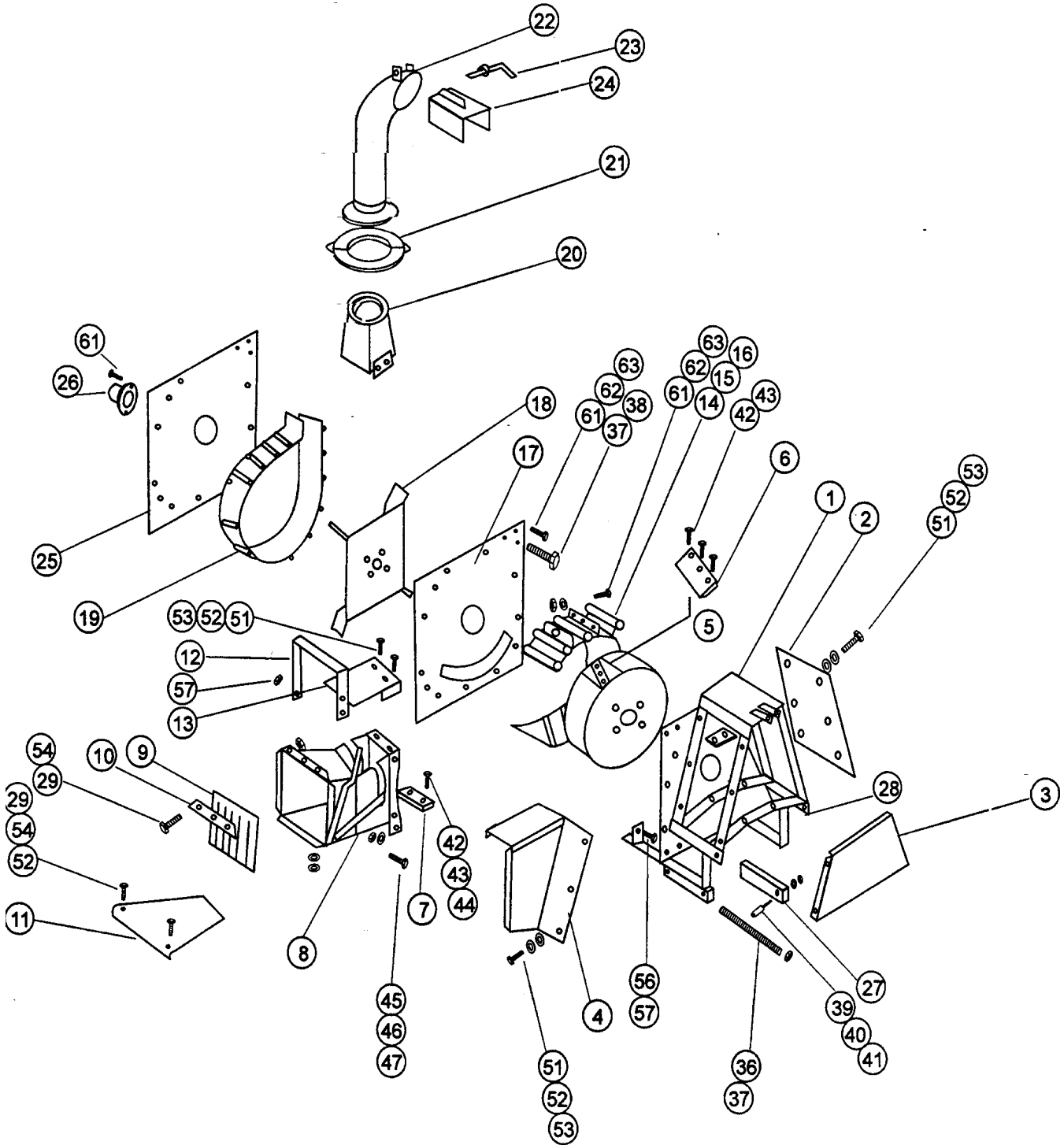


**Bushmaster
19-BM6-800
Main Frame**

ITEM#	PART #	DESCRIPTION	QTY
1	502-822B	MAIN FRAME	1
2	502-823B	LEFT SIDE GUARD	1
3	502-824B	FRONT GUARD	1
4	502-825B	RIGHT SIDE GUARD	1
5	502-826B	CHIPPER DRUM	1
6	502-768B	CHIPPER BLADE	2
7	502-769B	CHIPPER ANVIL	1
8	190-2041	CHIPPER CHUTE	1
9	190-2042	CHIPPER SKIRT	1
10	190-2043	SKIRT MOUNT BOX	1
11	190-2044	CHUTE WEAR PAD	1
12	502-831B	FEED ROLLER ENGAGE HANDLE	1
13	502-832B	CHIPPER CHUTE TOP COVER	1
14	502-833B	DRUM SHROUD TOP SECTION	1
15	502-834B	DRUM SHROUD MID SECTION	1
16	502-835B	DRUM SHROUD BOTTOM SECTION	1
17	502-836B	DIVIDER PLATE	1
18	502-837B	FAN	1
19	502-838B	FAN SHROUD	1
20	502-839B	DISCHARGE TRANSITION	1
21	502-840B	MOUNT CLAMP	1
22	502-841B	DISCHARGE PIPE	1
23	502-842B	DEFLECTOR SCREW HANDLE	1
24	502-843B	DEFLECTOR	1
25	190-1127	REAR PANEL	1
26	190-1126	REAR PANEL CAP	1
27	502-223B	HITCH BLOCKS	2
28	190-1140	SKID	2
29	009-2208	BOLT 8M X 20	7



Bushmaster
19-BM6-800
Main Frame



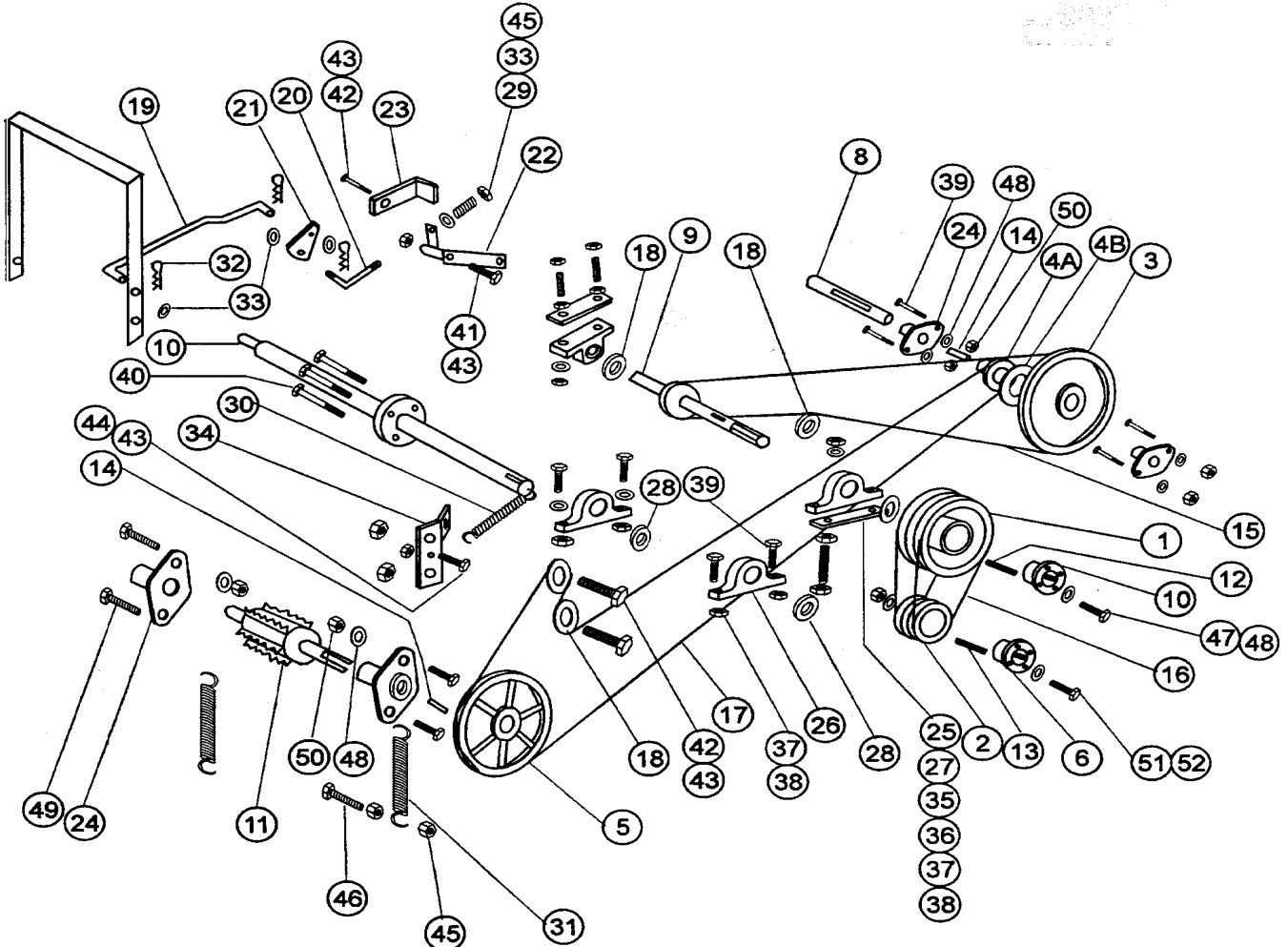


**Bushmaster
19-BM6-800
Main Frame**

ITEM#	PART #	DESCRIPTION	QTY
36	502-855B	STUD 5/8-11 X 16-1/2	11
37	502-856B	NUT 5/8-11	12
38	502-857B	BOLT 5/8-11 X 6-1/2	1
39	502-858B	HITCH PIN	2
40	502-859B	WASHER	2
41	502-860B	NUT	2
42	502-861B	BOLT 1/2-13 X 1-1/2 GR. 8	6
43	502-862B	STOVER NUT 1/2-13	6
44	502-863B	FLAT WASHER 1/2	3
45	502-864B	BOLT 5/8-11 X 1-1/2	2
46	502-865B	5/8-11 HEX	2
47	502-866B	LOCK WASHER 5/8	2
51	009-1446	BOLT M8 X 25	28
52	001-5230	FLAT WASHER M8	28
53	000-3144	LOCK WASHER M8	26
54	009-1384	NUT M8 NYLOCK	5
56	000-1278	BOLT M10 X 30	6
57	001-4106	NUT M10 NYLOCK	8
61	502-870B	BOLT 1/4-20 X 3/4	9
62	502-871B	LOCK WASHER 1/4	6
63	502-872B	FLAT WASHER 1/4	6



Bushmaster
19-BM6-800
Drive Components



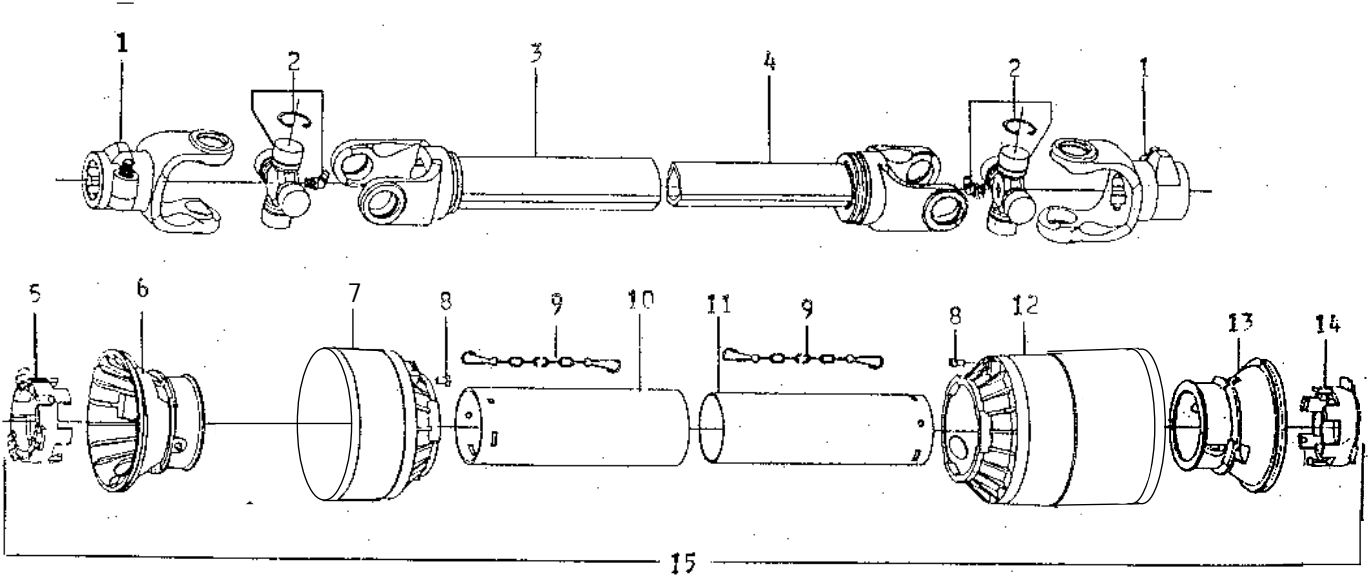


**Bushmaster
19-BM6-800
Drive Components**

ITEM#	PART #	DESCRIPTION	QTY
1	502-770B	PULLEY B110 SF	1
2	502-771B	PULLEY B X 4-1/2 OD	1
3	502-772B	PULLEY B X 12 OD	1
4A	502-773B	PULLEY 2 1/2 OD	1
4B	502-774B	PULLEY 4 OD	1
5	502-775B	PULLEY B X 8 1/4 OD	1
6	502-776B	BUSHING 1-3/8	1
7	502-777B	BUSHING 1-15/16	1
8	502-778B	SHAFT 1 X 9	1
9	502-779B	SHAFT 1-3/8 X 19	1
10	502-780B	SHAFT 1-15/16 X 46	1
11	502-781B	FEED ROLLER X 1 C.R.R.B. SHAFT	1
12	502-782B	KEY 5/16 X 3	1
13	502-783B	KEY 1/2 X 3	1
14	502-784B	KEY 1/4 X 3	2
15	190-209B	BELT A-57	1
16	502-786B	BELT BX-42	6
17	502-787B	BELT BX-67	1
18	502-788B	PULLEY TAKE UP	3
19	502-789B	LINKAGE, LONG	1
20	502-790B	LINKAGE, SHORT	1
21	502-791B	PIVOT BRACKET	1
22	502-792B	TAKE UP BRACKET	1
23	502-793B	BELT BRACKET	1
24	502-794B	BEARING ASSEMBLY	4
25	502-795B	BEARING ASSEMBLY	2
26	502-796B	BEARING ASSEMBLY	2
27	502-797B	LOCK COLLAR	2
28	502-798B	LOCK COLLAR	2
29	502-799B	SPRING/SMALL TAKE UP	1
30	502-800B	SPRING/LARGE TAKE UP	1
31	502-801B	SPRING - FEED ROLLER	2
32	502-802B	COTTER PIN - 5/32	3
33	502-803B	FLAT WASHER	4
34	502-804B	DUAL IDLER BRACKET	1
35	502-805B	MOUNT PLATE	2
36	502-806B	STUD 5/8-11 X 6	4
37	502-807B	STOVERNUT 5/8-18	16
38	502-808B	FLAT WASHER 5/8	8
39	502-809B	BOLT 5/8-18 X 2 1/2 GR. 8	4
40	502-810B	BOLT 1/2-20 X 9 GR. 8	4
41	502-811B	BOLT 1/2-13 X 3	1
42	502-812B	BOLT 1/2-13 X 2	3
43	502-813B	LOCK NUT 1/2-13	5
44	502-814B	CARRIAGE BOLT 1/2-13 X 3	1
45	502-815B	LOCK NUT 3/8	5
46	003-0155	BOLT M10 X 60	2
47	502-816B	BOLT 3/8-16 X 2	3
48	502-817B	FLAT WASHER 3/5	3
49	502-818B	CARRIAGE BOLT M8	8
50	502-819B	NUT M8 HEX	8
51	502-820B	BOLT 1/4-20 X 1 1/2	3
52	502-821B	LOCK WASHER 1/4	3



Bushmaster
19-BM6-800
PTO





Bushmaster
19-BM6-800
PTO

ITEM#	PART #	DESCRIPTION	QTY
1	024 -001E	PTO Yoke	2
2	014-130E	Cross & Bearing	2
3	194 4040C	Outer Tube	1
4	195 4042C	Inner Tube	1
5	178 4210C	Outer Tube Bearing	1
6	178 4201C	Outer Tube Rigid Cone	1
7	178 4203C	Outer Cone	2
8	178 4212C	Pin	2
9	016-025E	Chain	2
10	177 3038C	Female Tube Shield	1
11	187 2038C	Male Tube Shield	1
12	1784205C	Soft Cone	1
13	178 4202C	Inner Tube Rigid Cone	1
14	178 4211C	Inner Tube Bearing	1
15	940 4438C	Complete Shielding	1
	050- 0453	PTO Shaft Complete	