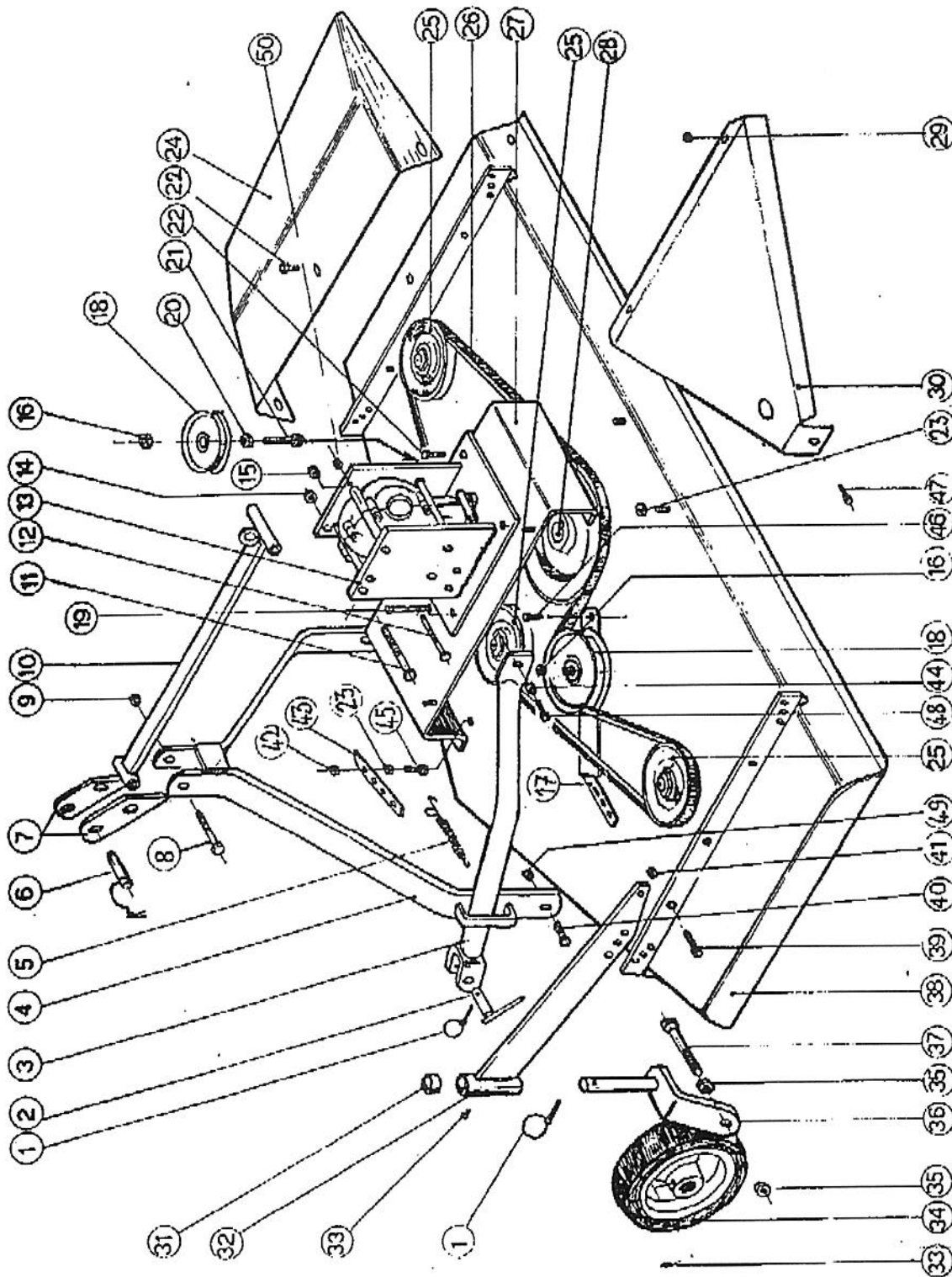




PARTS
ILLUSTRATION
MODEL NO.

THREE SPINDLE MOWER
FRAME
17-C14-711 - 17-C15-711

GR 17
SR 1
CAT. 89





PARTS
ILLUSTRATION
MODEL NO.

THREE SPINDLE MOWER
FRAME
17-C14-711 — 17-C15-711

GR 17
SR 1
CAT. 89

ITEM #	PART #	DESCRIPTION	QTY.
1	000 8505	LYNCH PIN	6
2	000 8501	HITCH PIN	2
3	000 8491	LOWER HITCH ARM C14	2
	000 8661	LOWER HITCH ARM C15	2
4	000 8481	A-FRAME 3 PT. HITCH	1
5	000 8586	SPRING	1
6	003 8320	TOP HITCH PIN	1
7	000 8469	TOP 3 PT. HITCH PLATE	2
8	003 7368	M14 X 120 BOLT	1
9	003 0358	M14 NUT	1
10	000 8463	TIE ROD 3 PT. HITCH C14	1
	000 8654	TIE ROD 3 PT. HITCH C15	1
11	000 8471	M12 X 150 BOLT	1
12	000 1216	M10 X 150	4
13	000 8443	GEARBOX SUPPORT	1
14	003 0064	M12 NUT	1
15	000 1042	M12 NUT	4
16	000 5507	M20 NUT	2
17	000 8563	BELT TENSIONER SUPPORT	1
18	000 8561	BELT TENSIONER PULLEY	2
19	001 5273	M10 X 110 BOLT	1
19A	000 845	SPACER TUBE	1
20	000 8578	M20 NUT	1
21	000 8578	M20 X 65 BOLT	1
22	003 3176	M10 X 25 BOLT	7
23	000 1279	M10 NUT	4
24	000 6781	GRASS DEFLECTOR C14	1
	000 6521	GRASS DEFLECTOR C15	1
25	000 8531	120 X 1 PULLEY C14	1
	000 866	130 X 1 PULLEY C15	1
26	000 8630	B98 BELT C14	1
	000 8670	B112 BELT C15	1
27	000 8436	GEARBOX FLANGE C14	1
	000 8436B	GEARBOX FLANGE C15	1
28	000 8623	SPB 250 X 1 PULLEY	1
29	001 4106	M10 LOCK NUT	4
30	000 8418	BELT GUARD C14	2
	000 8646	BELT GUARD C15	2
31	000 8520	CUTTING HEIGHT SPACER	4
32	000 8507	WHEEL ARM C14 & C15	4
33	000 6635	M6 PRESS GREASE FITTING	4
34	000 8523	SERIES 1 CYCLONE WHEEL	4
35	003 8370	M18 NUT	8
36	010 8516	WHEEL YOKE RIGHT C14&5	2
	020 8516	WHEEL YOKE LEFT C14&5	2
37	006 4024	M18 X 110 BOLT	4



PARTS
ILLUSTRATION
MODEL NO.

THREE SPINDLE MOWER
FRAME
17-C14-711 — 17-C15-711

GR 17
SR 1
CAT. 89

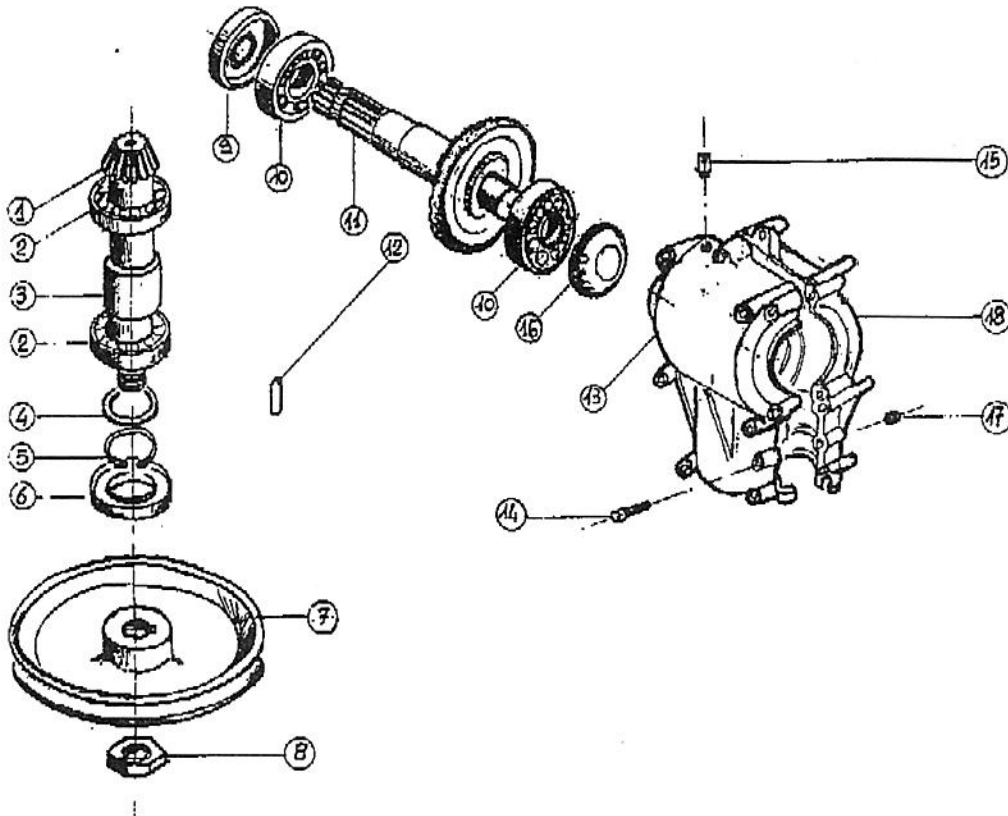
ITEM #	PART #	DESCRIPTION	QTY.
38	000 8402	MOWER DECK C14	1
	000 8631	MOWER DECK C15	1
39	000 8511	M12 X 35 BOLT	8
40	007 4232	M14 X 40 BOLT	2
41	009 4139	M12 LOCK NUT	8
42	003 0156	M10 NUT	8
43	000 8571	HITCH PLAT	1
44	000 8495	LOWER HITCH SPACER C14&5	2
45	000 1278	M10 X 30 BOLT	1
46	009 1281	M10 X 35 BOLT	1
47	000 6349	M10 X 20 BOLT	2
48	000 7255	M12 X 35	2
49	000 1177	M14 NUT	2



**PARTS
ILLUSTRATION/LIST
MODEL NO.**

**THREE SPINDLE MOWER
GEARBOX
17-C14-711 — 17-C15-711**

**GR 17
SR 1
CAT. 89**



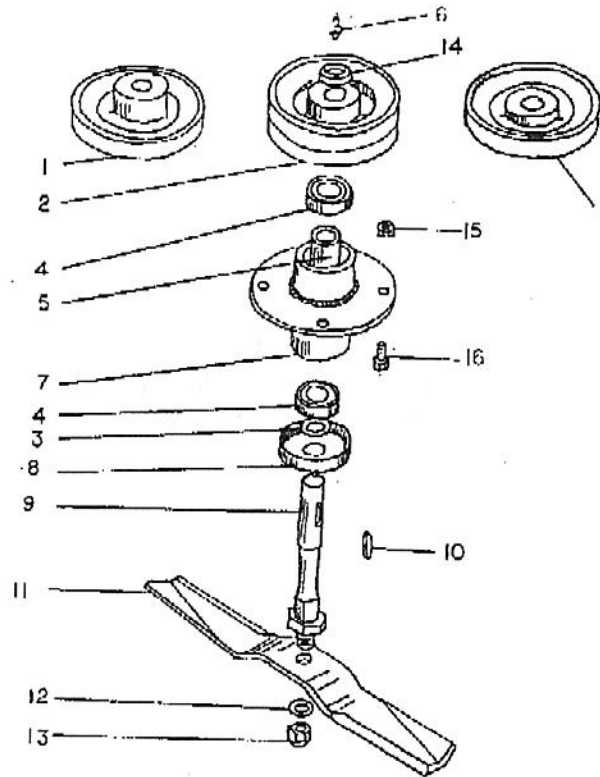
ITEM #	PART #	DESCRIPTION	QTY.
1	005 0192	PINION GEAR	1
2	002 5332	BEARING 6207	2
3	001 0196	SPACER	1
4	003 4196	SPACER	1
5	004 2122	M35 SNAP RING	1
6	000 2295	35.62.10 OIL SEAL	1
7	000 8623	SPB 250 X 1 PULLEY	1
8	000 6698	M25 LOCK NUT	1
9	001 0192	40.68.10 OIL SEAL	1
10	001 2149	BEARING 6208	2
11	000 8603	SHAFT THROUGH DRIVE	1
12	000 6689	KEY 8 X 7 X 30	1
13	000 8594	GEARBOX HOUSING W/HOLE	1
14	001 0173	M8 X 50 BOLT	7
15	001 0177	BREATHER CAP	1
16	000 8609	COVER	1
17	000 6513	M8 NUT	7
18	330 0322	GEARBOX HOUSING NO HOLE	1
	050 0540	GEARBOX COMPLETE C14&5	1



**PARTS
ILLUSTRATION/LIST
MODEL NO.**

**THREE SPINDLE MOWER
ROTOR & BLADE
17-CXX-711**

**GR 17
SR 2
CAT. 89
*CAT. 40**



ITEM #	PART #	DESCRIPTION	QTY.
1	000 8531	SPB 120 X 1 PULLEY CE4/C14	2
	000 8666	SPB 130 X 1 PULLEY CE5/C15	2
2	000 8792	SPB 120 X 2 PULLEY CE4/C14	1
	000 8936	SPB 130 X 2 PULLEY CE5/C15	1
3	000 6606	SPACER-RING	3
4	000 6634	6205Z BEARING	3
5	000 8538	SPACER	3
6	002 9036	GREASE FITTING M8	3
7	000 8538	SHAFT SUPPORT	3
8	000 6636	COVER	3
9	000 8545	BLADE HOLDER SHAFT	3
10	000 6639	KEY 8 X 7 25	3
11	*000 6795	BLADE CE4	3
	*000 6641	BLADE CE5	3
12	000 6642	M18 WASHER	3
13	000 6643	M18 LOCKNUT	3
14	000 6698	M25 LOCKNUT	3
15	003 0156	M10 NUT	12
16	000 6634	6205Z BEARING	3
17	000 1241	BOLT M10 X 25	12
	000 8537	SPINDLE COMPLETE	