



Operator's Manual

BABY HOP & HOP FERTILIZER SPREADERS ACCESSORIES

SIDE ROW DISCHARGE

AA4-120 (fits models Hop 209 & 212)

DEFLECTOR

AA1-120 (fits models Baby Hop 103 & 106)

REMOTE GATE CONTROL

009-9856 (fits models Baby Hop 103, 106 & Hop 203)

009-9850 (fits models Hop 206, 209 & 212)

AGITATOR

AA2-120 (fits models Hop 203)

AA3-120 (fits models Hop 206, 209 & 212)

STAINLESS STEEL DISC

009-9898 (fits models Hop 209 & 212)

HOPPER COVER

009-9720 (fits models Baby Hop 103 & Hop 203)

009-9721 (fits models Baby Hop 106 & Hop 206)

009-9722 (fits models Hop 209)

009-9723 (fits models Hop 212)

The operator's manual is a technical service guide and must always accompany the machine.

Manual 971-392B

December 2008

SAFETY

Take note! This safety alert symbol found throughout this manual is used to call your attention to instructions involving your personal safety and the safety of others. Failure to follow these instructions can result in injury or death.



*This symbol means:
ATTENTION!
BECOME ALERT!
YOUR SAFETY IS INVOLVED!*

Signal Words

Note the use of the signal words DANGER, WARNING and CAUTION with the safety messages. The appropriate signal words for each have been selected using the following guidelines:



DANGER: Indicates an imminently hazardous situation that, if not avoided, will result in death or serious injury.



WARNING: Indicates a potentially hazardous situation that, if not avoided, could result in death or serious injury, and includes hazards that are exposed when guards are removed. It may also be used to alert against unsafe practices.



CAUTION: Indicates a potentially hazardous situation that, if not avoided, may result in minor or moderate injury.

INDEX

1 - GENERAL INFORMATION	4
1.01 - General	4
1.02 - Side Row Discharge Assembly	5
1.03 - Remote Gate Control Assembly Baby Hop 103 & 106	6
1.04 - Remote Gate Control Assembly Hop 203	7
1.05 - Remote Gate Control Assembly Hop 206, 209 & 212	8
1.06 - Agitator Assembly	9
2 - SAFETY PRECAUTIONS	10
2.01 - Preparation	10
2.02 - Starting and Stopping	11
2.03 - Messages and Signs	11
PARTS MANUAL	13

1 - GENERAL INFORMATION

Thank you and congratulations for having chosen our accessory. It is technologically advanced and constructed of high quality, sturdy components that will fulfill your working expectations. Read this manual carefully. It will instruct you on how to operate and service your implement safely and correctly. Failure to do so could result in personal injury and/or in equipment damage.

1.01 - General

Available as an option for the BEFCO line of HOP fertilizer spreaders are:

- A side row discharge (for models Hop 209 & 212) that allows to spread material exclusively to the left of the unit. The baffle plate mounted at the end of the chute allows to adjust the spread distance from 1 to 23 ft. (results may vary depending on density and weight of material being spread).
- A deflector (for models Baby Hop 103 & 106) that allows to regulate swath spread.
- A remote gate control for easy fertilizer flow control from tractor seat, ideal for tractors equipped with cabin (available in 2 versions, one for the Baby Hop 103, 106 & Hop 203 and one that fits the Hop 206, 209 and 212).
- A tumbling agitator that helps prevent the bridging of the material in the hopper and therefore ensures an even flow of material with a more uniform spread pattern (available in 2 versions, one for the Hop 203 and one that fits the Hop 206, 209, and 212).
- A stainless steel disc that prevents the forming of rust caused by the chemicals in the fertilizer (available for the Hop 209 and 212).
- A heavy duty cover that helps to keep moisture out of the material being spread. Cover also prevents light material from being blown over the top of the hopper before being spread (available for all spreader models).



CAUTION: Unless otherwise specified, all hardware is metric. Use only metric tools on metric hardware. Other tools that do not fit properly can slip and cause injury.



WARNING: Before adjusting the spreader or filling the hopper, be sure the tractor PTO is not engaged, the tractor is shut off, and the key is removed from the tractor ignition.



CAUTION: Load hopper with product only after the spreader has been properly attached to the tractor.



WARNING: Chemicals may cause eye, skin or breathing problems. Always wear a face mask, gloves and goggles when filling hopper. Refer to chemical manufacturer's label for specific safety information.



WARNING: Use a tractor with a cab and appropriate filters on the ventilation system or wear a breathing mask capable of filtering toxic powders to prevent inhalation of product.



DANGER: Never allow anyone within 50 yards of the spreader while the PTO is engaged. Product thrown from the spreader can cause serious injury or death.



DANGER: Never allow any person inside the hopper for any reason. Serious injury or death can result from someone becoming entangled in the agitator.

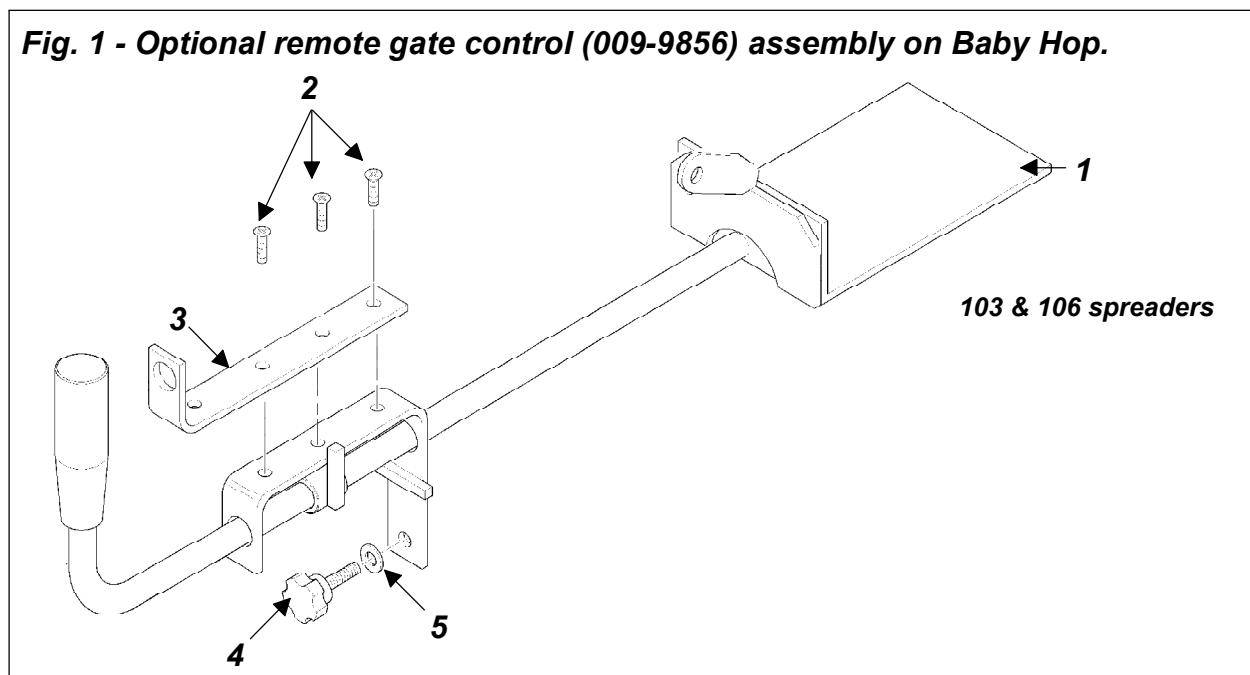
1.02 - Side Row Discharge Assembly

To assemble the side-row discharge proceed as follows (see diagram in parts manual):

1. If the spreader is already assembled remove the two protections ("U" protection #001-4337 and "L" protection #502-013B) and the attachment plate (#001-4338 or #001-4339 depending on your spreader model).
2. Place the spreader upside-down.
3. Unpack the side-row discharge and remove the conveyor attachment (#503-704B) from the side-row discharge and mount to spreader frame in the same place where the "L" protection (#502-704B) was attached using two bolts M8x25, four flat washers Ø8 and two nuts M8.
4. Separate the two halves of the conveyor unit by unlatching the two side latches.
5. Place the two conveyor halves (#503-701B and #503-702B) around spreader disc ensuring that the smaller hole side is facing the hopper. Close the two side latches.
6. Mount the conveyor brackets (#503-705B) to the conveyor using two bolts M8x25 four flat washers Ø8 and two nuts M8, loosely tighten.
7. Remove the two bolts M10x110 closest to spreader disc from gearbox mounting plate.

8. Raise left and right bracket attachment plates (#503-706B and 503-707B) in position so that the longer bolts M10x120 can be inserted through the left bracket, the gearbox and the right bracket. Install washers and nuts and tighten down securely.
9. Secure the conveyor unit to the conveyor attachment plate (#503-704B) using two bolts M8x25, four flat washers Ø8 and two nuts M8.
- 10. IMPORTANT: All conveyor brackets have slotted holes to allow for the correct positioning of the conveyor so that it does not touch the spreader disc.**
11. Before tightening hardware ensure that the spreader disc does not touch the conveyor by manually spinning the disc.
12. Attach baffle plate with two hand wheels M8 (one on each side), two lock washers Ø8 and two flat washers Ø8.
13. Tighten all hardware.

1.03 - Remote Gate Control Assembly Baby Hop 103 & 106

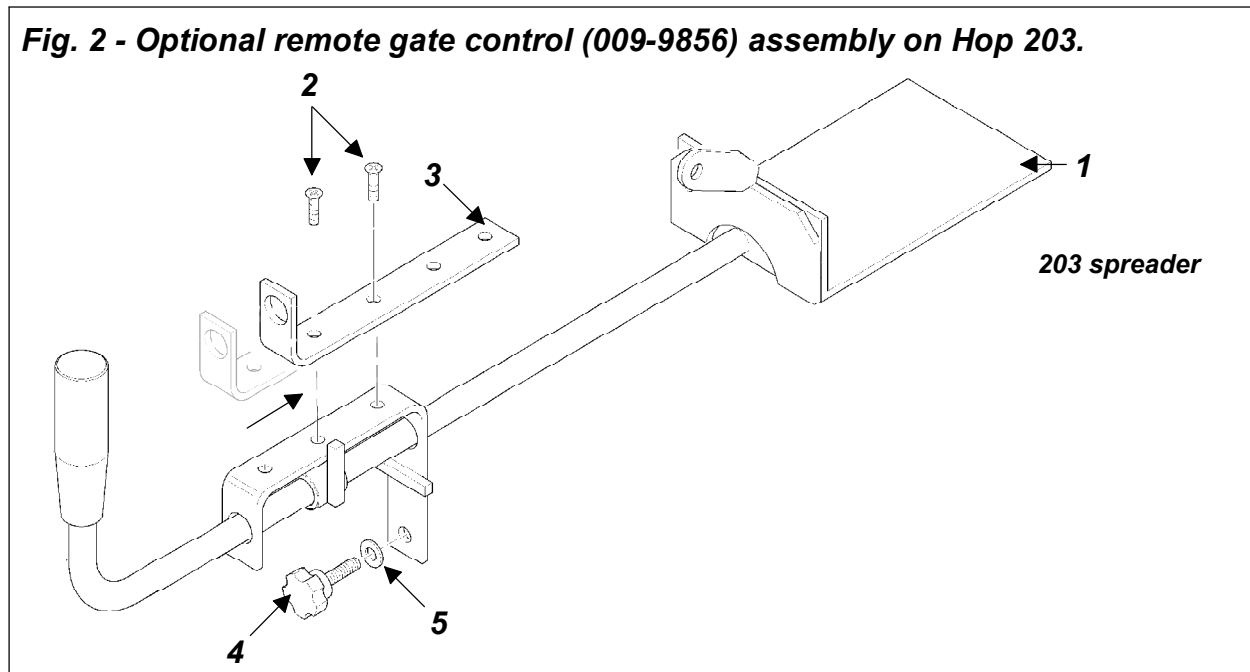


To assemble the remote gate control (**#009-9856**) on the Baby Hop spreaders proceed as follows (see fig. 1):

1. Ensure the hopper is empty, remove the spreader from the tractor and position on a stable ground.
2. Position the remote gate control assembly on the driveline or hitch side of the spreader.
3. Remove from the remote gate assembly, bolt (**#4**) and flat washer (**#5**).
4. Remove from spreader complete shutter assembly.
5. Insert the shutter assembly (**#1**) connected to the remote gate control.
6. Reinsert bolt (**#4**) and flat washer (**#5**) in the same location in which the original shutter device was connected.
7. Tighten the jam nut located behind the yoke.

8. Some adjustment may be needed to ensure a full stroke of the opening and closing process. This can be accomplished by loosening the nut behind the yoke unit and also loosening the jam nuts located on the mounting plate. Be sure to re-tighten all hardware that was loosened in this process.

1.04 - Remote Gate Control Assembly Hop 203



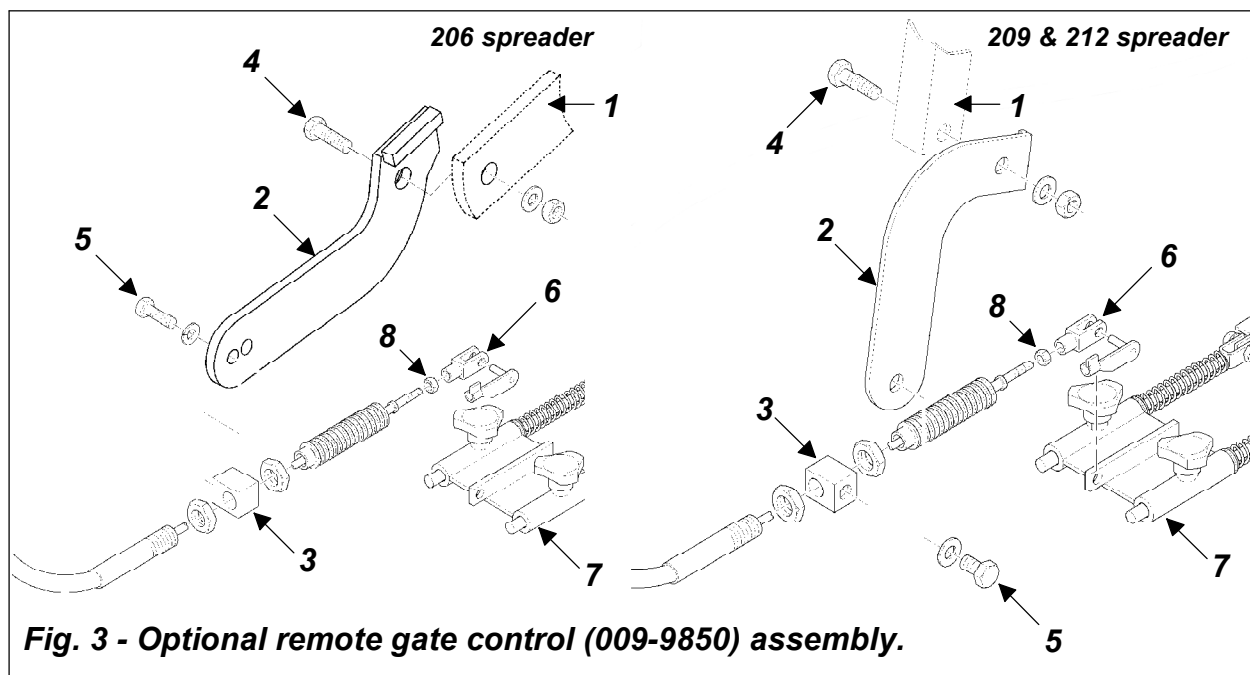
To assemble the remote gate control (**#009-9856**) on the Hop 203 spreader proceed as follows (**see fig. 2**):

1. Ensure the hopper is empty, remove the spreader from the tractor and position on a stable ground.
2. Position the remote gate control assembly on the driveline or hitch side of the spreader.
3. Remove the 3 bolts (**#2**) that hold the cable support plate (**#3**).
4. Slide the cable support plate by one hole (**see fig. 2**) towards the shutter and re-tighten using 2 of the 3 bolts that were removed in step 3.
5. Remove from the remote gate assembly, bolt (**#4**) and flat washer (**#5**).
6. Remove from spreader complete shutter assembly.
7. Insert the shutter assembly (**#1**) connected to the remote gate control.
8. Reinsert bolt (**#4**) and flat washer (**#5**) in the same location in which the original shutter device was connected.
9. Tighten the jam nut located behind the yoke.
10. Some adjustment may be needed to ensure a full stroke of the opening and closing process. This can be accomplished by loosening the nut behind the yoke unit and also loosening the jam nuts located on the mounting plate. Be sure to re-tighten all hardware that was loosened in this process.

1.05 - Remote Gate Control Assembly Hop 206, 209 & 212

To assemble the remote gate control (#009-9850) on the Hop 206, 209 and 212 spreaders proceed as follows (see fig. 3):

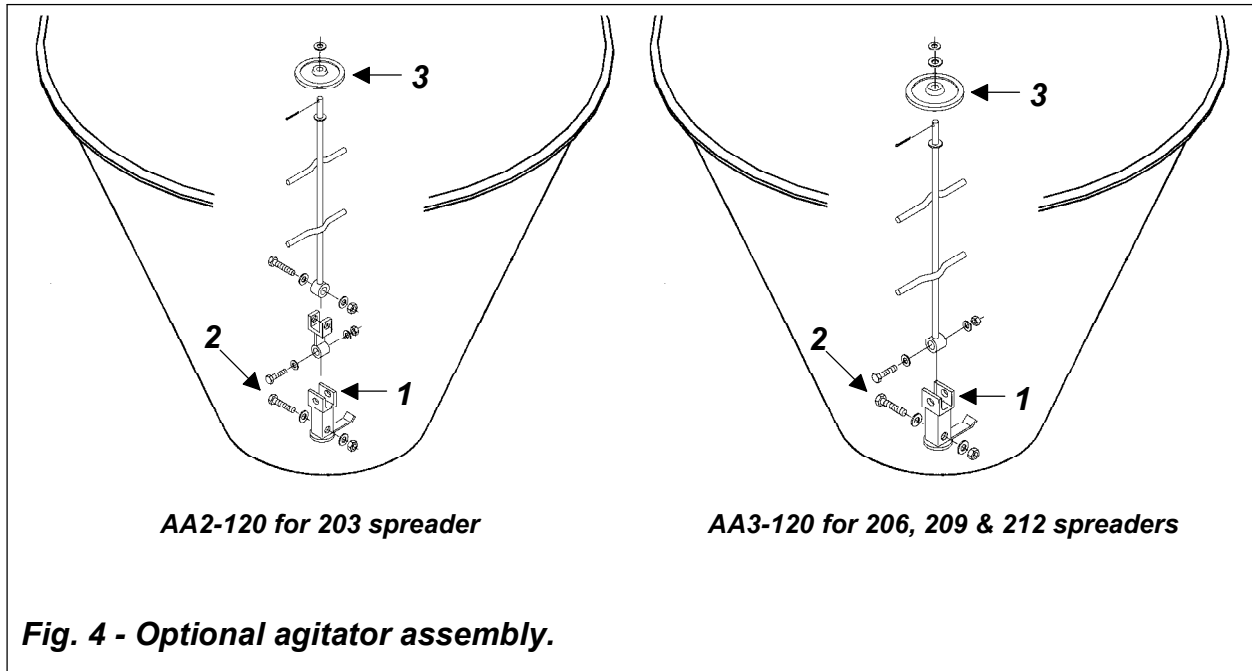
1. Ensure the hopper is empty, remove the spreader from the tractor and position on a stable ground.
2. Position the remote gate control assembly on the driveline or hitch side of the spreader.
3. Remove from the remote gate assembly, bolt (#4), flat washer and nut.
4. Attach bracket (#2) to the frame (#1) above the dual shutters. **IMPORTANT:** For models 209 & 212 plate must be attached with bracket (#2) facing inwards while for model 206 plate must be attached with bracket (#2) facing outwards (see fig. 3).
5. Disconnect the original spreader lever from the shutter device.
6. Adjust cable support (#3) to a level position for the stroke assembly and tighten bolt (#5) once completed.
7. Attach the yoke unit (#6) located at the end of the cable to the shutter device (#7) in the same place in which the original lever bracket was attached to the shutter device.
8. Tighten the jam nut located behind the yoke (#8).
9. Some adjustment may be needed to ensure a full stroke of the opening and closing process. This can be accomplished by loosening the nut (#8) behind the yoke and also loosening bolt (#5). Be sure to re-tighten all hardware that was loosened in this process.



1.06 - Agitator Assembly

To assemble the optional agitator to the spreader proceed as follows (see fig. 4):

1. Remove original stationary stirrer from spreader by unbolting the bolt that holds it to the spreader.
2. Replace optional agitator (#1) (pre-assembled at the factory) in the same position of the original stationary stirrer.
3. Insert hex bolt (#2), two flat washers (one per each side) and tighten nut.
4. Ensure that the articulated stirrer wheel (#3) turns freely.



2 - SAFETY PRECAUTIONS

Safety is the primary concern in the design and manufacture of our products. Unfortunately our efforts to provide safe equipment can be wiped out by a single careless act of an operator.

In addition to the design and configuration of equipment, hazard control and accident prevention are dependent upon the awareness, concern, prudence and proper training of personnel involved in the operation, transport, maintenance and storage of equipment.

It is the operator's responsibility to read and understand all safety and operating instructions in the manual and to follow these.

Allow only properly trained personnel to operate the fertilizer spreader. Working with unfamiliar equipment can lead to careless injuries. Read this manual, the fertilizer spreader manual and the manual for your tractor, before assembly or operating, to acquaint yourself with the machines. It is the spreader owner's responsibility, if this machine is used by any person other than yourself, is loaned or rented, to make certain that the operator, prior to operating, reads and understands the operator's manuals and is instructed in safe and proper use.

2.01 - Preparation



1. Before operating equipment read and understand the operator's manual and the safety signs (**see Spreader Operator's Manual**).
2. Thoroughly inspect the implement before initial operation to assure that all packaging materials, i.e., wires, bands, and tape have been removed.
3. Personal protection equipment including hard hat, safety glasses, safety shoes, and gloves are recommended during assembly, installation, operation, adjustment, maintaining and/or repairing the implement.
4. Operate the fertilizer spreader only with a tractor equipped with an approved Roll-Over-Protective-System (ROPS). Always wear your seat belt. Serious injury or even death could result from falling off the tractor.
5. Clear area of stones, branches or other debris that might be thrown, causing injury or damage.
6. Operate only in daylight or good artificial light.
7. Ensure fertilizer spreader is properly mounted, adjusted and in good operating condition.
8. Ensure that all safety shielding and safety signs are properly installed and in good condition.
9. Chemicals may cause eye, skin or breathing problems. Always wear a face mask, gloves and goggles when filling hopper.

10. Before loading the fertilizer in the hopper read carefully the instructions printed on the fertilizer canvas bag concerning the precautions to be taken in case of toxicity or corrosivity of the product. Before loading switch off the engine and remove the ignition key.
11. Load hopper with product only after the spreader has been properly attached to the tractor.

2.02 - Starting and Stopping



1. Be sure that no one is near the tractor prior to startup or while it is working.
2. Be sure the tractor is in "Neutral" before starting engine.
3. Know how to stop the tractor quickly in case of an emergency.
4. After striking an obstacle, shut the tractor down and thoroughly inspect for damage before restarting.

2.03 - Messages and Signs



1. Read and adhere to all safety and operating decals on this machine (**see Spreader Operator's Manual**).
2. Before dismounting tractor: Stop engine, set brake and remove the key of unattended equipment.
3. Keep guards and shields in place and in good condition.
4. Do not use with bystanders in area.
5. Allow no riders on tractor or fertilizer spreader.
6. Allow moving parts to stop before repair.
7. Securely support fertilizer spreader before working underneath.

Additional warning and operating decals are available at no extra charge. Please specify model and serial number when ordering.



Parts Manual

BABY HOP & HOP FERTILIZER SPREADERS ACCESSORIES

SIDE ROW DISCHARGE

AA4-120 (fits models Hop 209 & 212)

DEFLECTOR

AA1-120 (fits models Baby Hop 103 & 106)

REMOTE GATE CONTROL

009-9856 (fits models Baby Hop 103, 106 & Hop 203)

009-9850 (fits models Hop 206, 209 & 212)

AGITATOR

AA2-120 (fits models Hop 203)

AA3-120 (fits models Hop 206, 209 & 212)

STAINLESS STEEL DISC

009-9898 (fits models Hop 209 & 212)

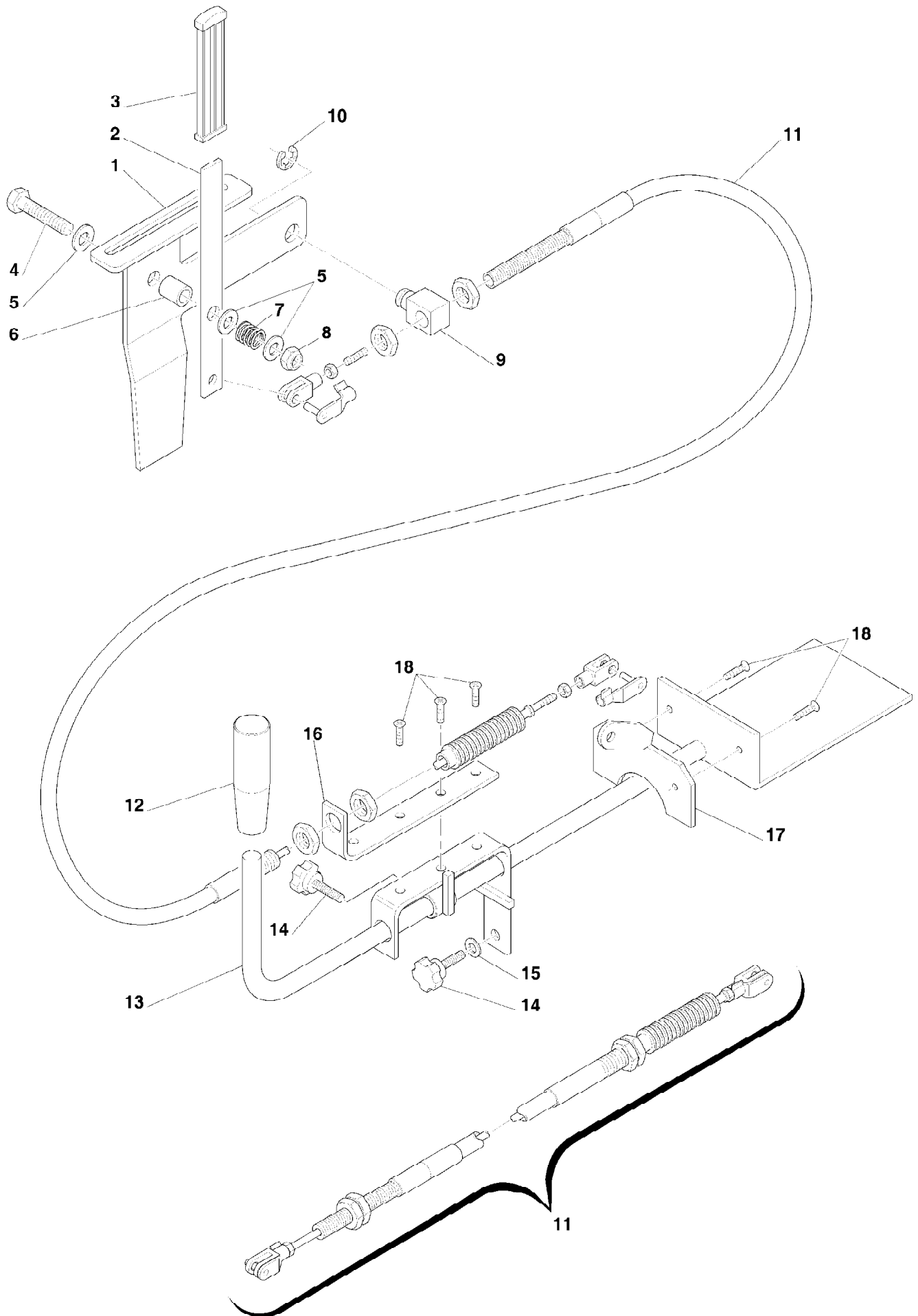
HOPPER COVER

009-9720 (fits models Baby Hop 103 & Hop 203)

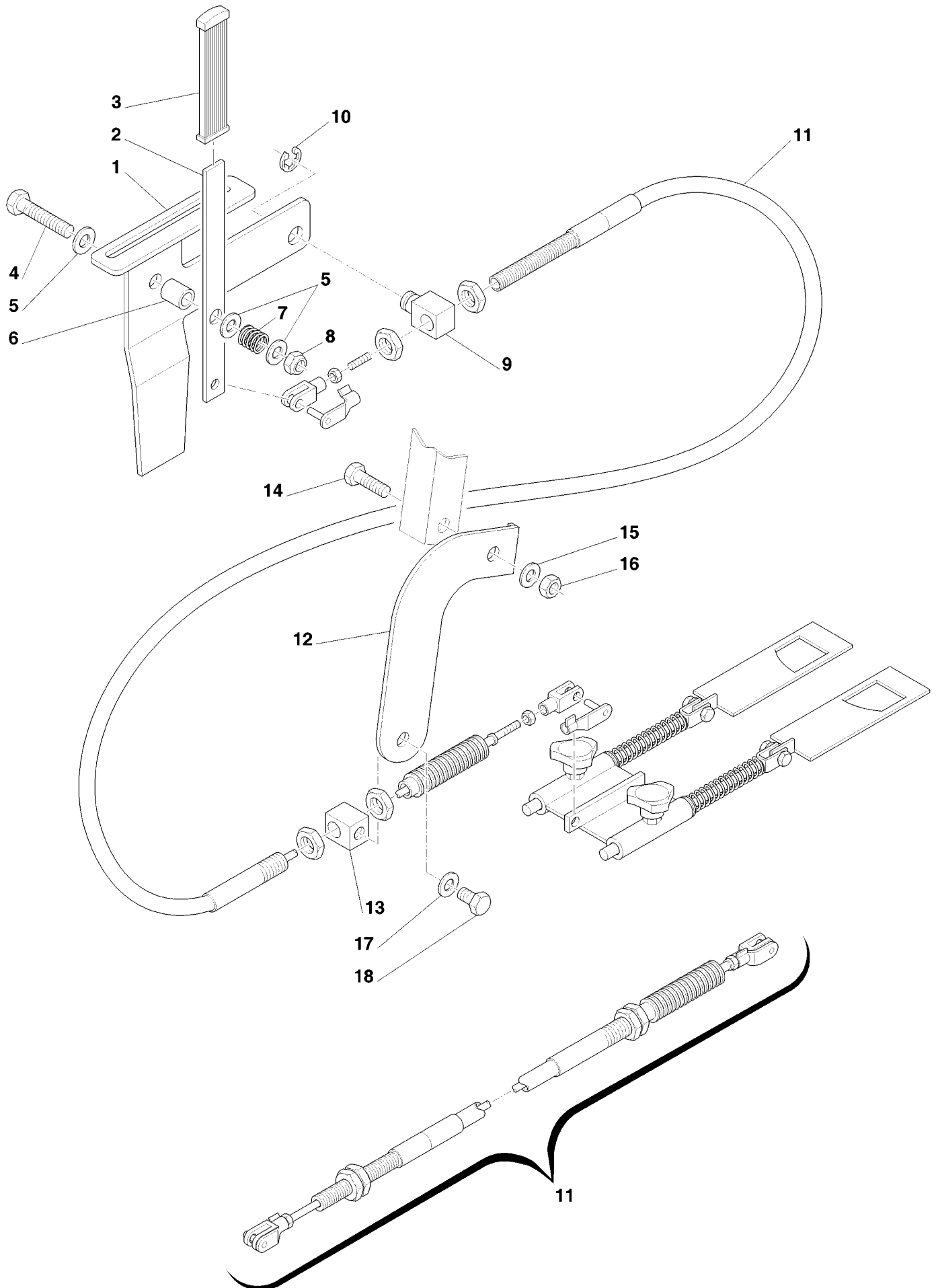
009-9721 (fits models Baby Hop 106 & Hop 206)

009-9722 (fits models Hop 209)

009-9723 (fits models Hop 212)

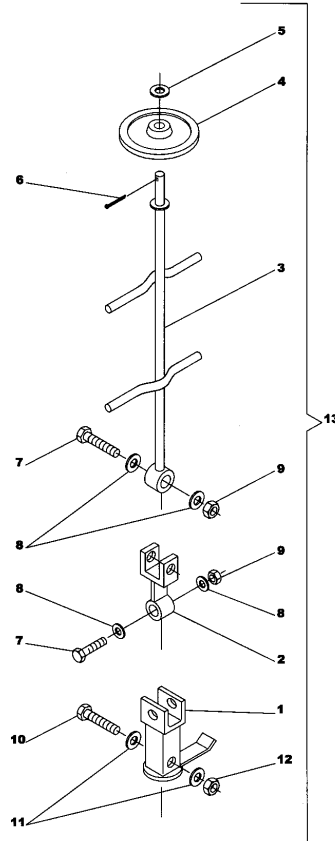


Ref.	Part #	Description	Qty.
1	001-4981	Support plate for remote control	1
2	001-4982	Remote control lever	1
3	001-4983	Flat grooved handle	1
4	001-4477	Bolt M10x60	1
5	000-2034	Flat washer Ø10	3
6	001-4988	Spacer	1
7	001-4989	Spring	1
8	001-5237	Locking nut M10	1
9	001-4990	Cable support	1
10	001-4991	Outer snap ring Ø10	1
11	001-4992	Cable	1
12	501-639B	Adjustment knob	1
13	001-4999	Flow control assembly	1
14	501-631B	Adjustment knob Ø6x16	2
15	001-1209	Flat washer Ø6x18	1
16	001-4993	Cable supporting plate	1
17	001-4994	Cable hitch plate	1
18	001-4998	Bolt M4x10	5
	009-9856	Remote gate control complete 103, 106 & 203	

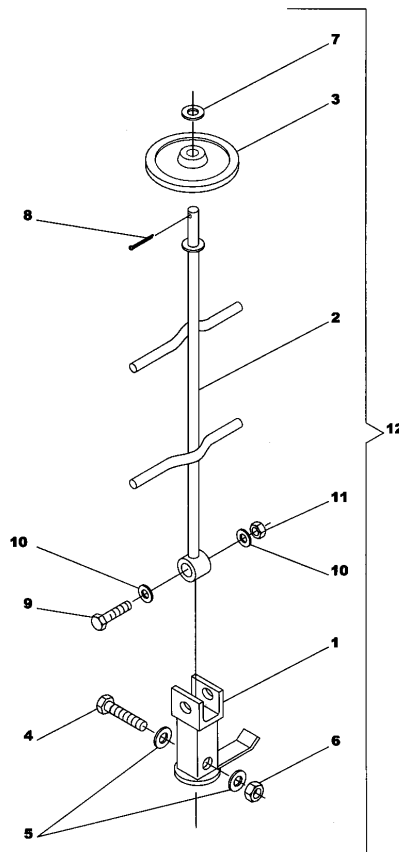


Ref.	Part #	Description	Qty.
1	011-4981	Support plate for remote control	1
2	001-4982	Remote control lever	1
3	001-4983	Flat grooved handle	1
4	001-4477	Hex bolt M10x60	1
5	000-2034	Flat washer Ø10	3
6	001-4988	Spacer	1
7	001-4989	Spring	1
8	001-5237	Locking nut M10	1
9	001-4990	Cable support	1
10	001-4991	Outer snap ring Ø10	1
11	001-4992	Cable	1
12	001-4590	Bracket for cable support	1
13	001-4594	Cable support	1
14	001-5255	Hex bolt M12x30	1
15	000-2265	Flat washer Ø12	1
16	001-3345	Locking nut M12	1
17	000-3144	Lock washer Ø8	1
18	004-6454	Hex bolt M8x16	1
	009-9850	Remote gate control complete Hop 206, 209, 212	-

Model 203



Models 206, 209 & 212

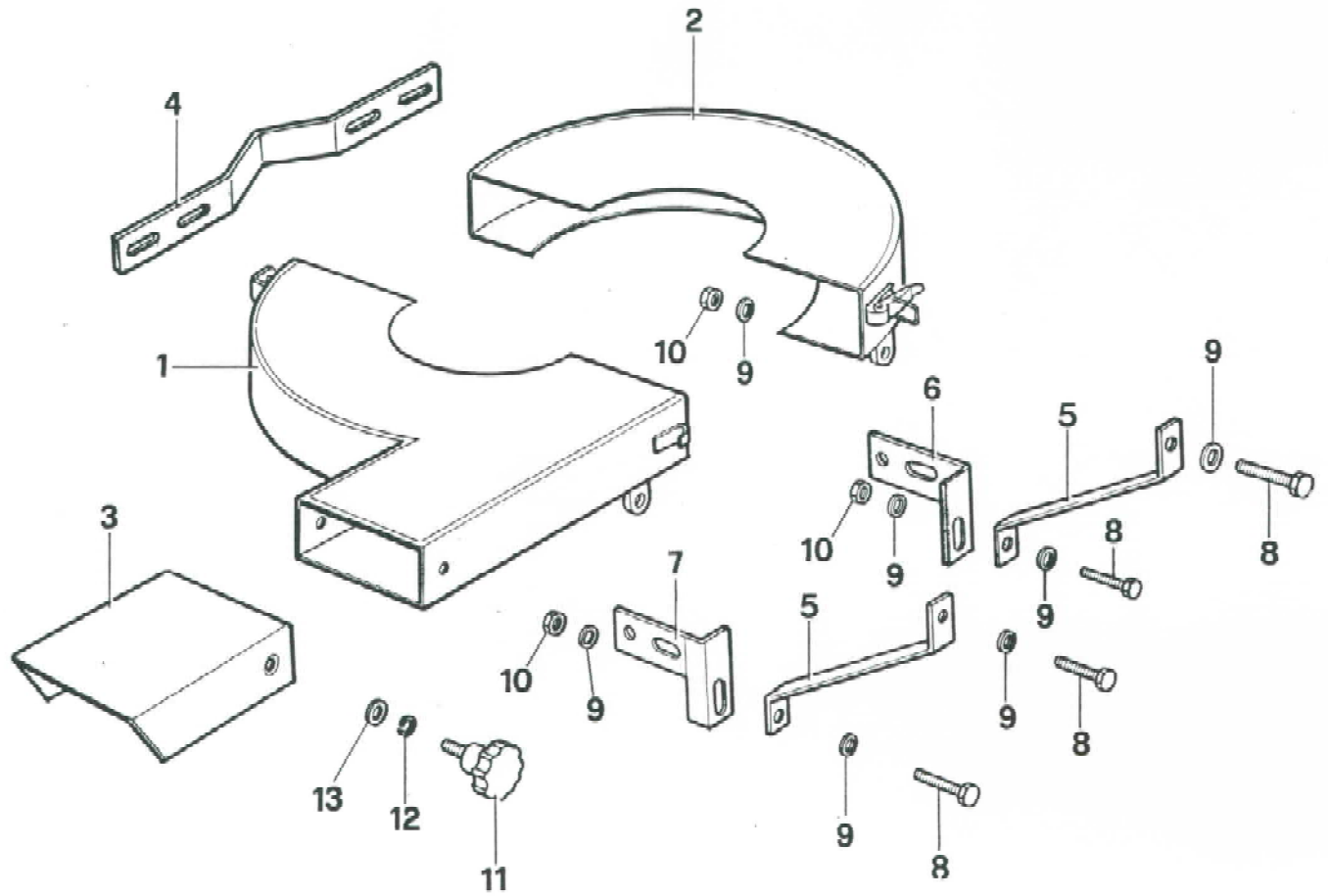


Tumbling agitator model 203:

Ref.	Part #	Description	Qty.
1	001-4721	Articulated powder stirrer	1
2	001-4730	Agitator rod hitch	1
3	001-4735	Articulated stirrer beam	1
4	502-005B	Articulated stirrer wheel	1
5	000-2265	Flat washer Ø12	1
6	502-006B	Cotter pin Ø4x35	1
7	001-4477	Hex bolt M10x60	2
8	000-2034	Flat washer Ø10	4
9	001-4106	Nut M10	2
10	001-4427	Hex bolt M8x45	1
11	001-5230	Flat washer Ø8	2
12	009-1384	Nut M8	1
13	AA2-120	Agitator extension complete Hop 203	-

Tumbling agitator models 206, 209 & 212:

Ref.	Part #	Description	Qty.
1	502-019B	Articulated powder stirrer	1
2	502-007B	Articulated stirrer beam	1
3	502-005B	Articulated stirrer wheel	1
4	001-4490	Hex bolt M8x50	1
5	001-5230	Flat washer Ø8	2
6	009-1384	Nut M8	1
7	000-2265	Flat washer Ø12	1
8	502-006B	Cotter pin Ø4x35	1
9	001-4477	Hex bolt M10x60	1
10	000-2034	Flat washer Ø10	2
11	001-4106	Nut M10	1
12	AA3-120	Agitator extension complete Hop 206, 209, 212	-



Ref.	Part #	Description	Qty.
1	503-701B	Left half conveyor	1
2	503-702B	Right half conveyor	1
3	503-703B	Baffle plate	1
4	503-704B	Conveyor attachment	1
5	503-705B	Conveyor bracket	2
6	503-706B	Bracket attachment plate right	1
7	503-707B	Bracket attachment plate left	1
8	009-1446	Hex screw	8
9	001-5230	Flat washer Ø8	16
10	009-1384	Nut M8	8
11	501-589B	Hand wheel	2
12	000-3144	Lock washer Ø8	2
13	000-2034	Flat washer Ø8	2
	AA4-120	Side row discharge complete Hop 209, 212	-

Use only original spare parts

All rights reserved. It is unlawful to copy, reprint or use any of the information or details in this manual without the expressed written permission of the Company. Technical information provided in this manual is approximate, the Company reserves the right to modify or improve the models shown for technical or commercial purposes. Pictures in this manual do not necessarily show the machine as delivered.

BEFCO[®]

P.O. Box 6036

Rocky Mount, NC 27802-6036

Tel.: 252.977.9920 - Fax: 252.977.9718

www.befco.com

