

BC 1500 BALE CARRIER

Form No.
902147



OPERATOR'S AND SERVICE PARTS MANUAL

GEIHL[®] COMPANY

Warranty

GEHL® COMPANY New Agricultural Equipment

Gehl Company (Incorporated), hereinafter referred to as GEHL, as manufacturer of quality machinery since 1859, warrants new GEHL machinery and/or attachments at the time of delivery to the original purchaser to be free from defects in material and workmanship if properly set up and operated in accordance with the recommendations set forth in GEHL's Operator Manual.

GEHL's liability for any defect with respect to accepted goods shall be limited to repairing the goods at an authorized GEHL dealer or other GEHL designated location, or replacing them, as GEHL shall elect. The above shall be in accordance with GEHL warranty adjustment policies. GEHL's obligation shall terminate twelve (12) months after the delivery of the goods to the original purchaser.

This warranty shall not apply to any machine or attachment which shall have been repaired or altered outside the GEHL factory or authorized GEHL dealership or in any way so as in GEHL's judgment, to affect its stability or reliability, nor which has been subject to misuse, negligence or accident, nor to any machine or attachment which shall not have been operated in accordance with GEHL's printed instructions or beyond the company recommended machine rated capacity.

This warranty shall not be applicable to items which are subject to the warranties of their respective manufacturers. Such items would include but would not be limited to engines, clutches, universal joints, knives, hydraulic components, bearings, tires, belts and other trade accessories.

EXCLUSION OF WARRANTIES

Except as otherwise expressly stated herein, GEHL makes no representation or warranty of any kind, express or implied, **AND MAKES NO WARRANTY OF MERCHANTABILITY IN RESPECT TO ITS MACHINERY AND/OR ATTACHMENTS AND MAKES NO WARRANTY THAT ITS MACHINERY AND/OR ATTACHMENTS ARE FIT FOR ANY PARTICULAR PURPOSE.** GEHL shall not be liable for incidental or consequential damages for any breach of warranty, including but not limited to inconvenience, rental or replacement equipment, loss of profits or other commercial loss. GEHL shall not be liable for, and the buyer assumes all liability for, all personal injury and property damage resulting from the handling, possession or use of the goods by the buyer.

No agent, employee or representative of GEHL has any authority to bind GEHL to any affirmation, representation or warranty concerning its machinery and/or attachments except as specifically set forth herein.

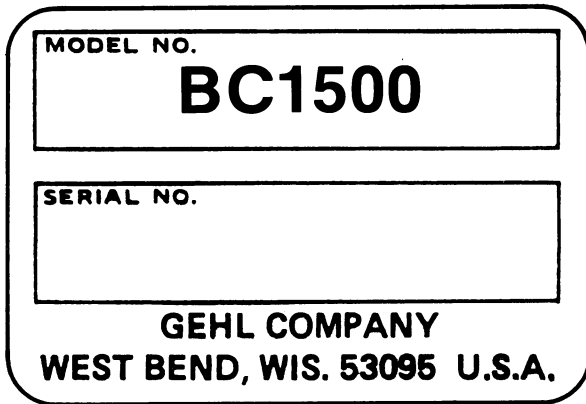
INTRODUCTION

Mr. Operator:

Your decision to purchase Gehl equipment is a wise one. You have made a sound and lasting investment. Gehl Company has been building farm equipment for well over a century. Today, it is our only business. Our entire manufacturing and marketing philosophy is built upon quality. The quality built into Gehl products assure you the performance and reliability you need to make a profit. It is our hope that you will return to Gehl for all your forage harvesting, handling and feedmaking equipment.

Over 2000 Implement Dealers are authorized to service your Gehl equipment. They maintain genuine Gehl service parts.

All service parts should be obtained from or ordered through your Gehl Dealer. Give complete information when ordering service parts. The model number and serial number should always be given. Numbers for this unit are stamped on a plate located on the reverse side of the Centering Point Assembly Support. Record numbers in the space provided as a handy record for quick reference.



“Right” and “Left” are determined from a position seated on the tractor seat, looking back over the shoulder at the unit.

Gehl Company reserves the right to make changes or improvements in the design or construction of any part without incurring the obligation to install such changes on any unit previously delivered.

This symbol,  used throughout this manual, means to read carefully the message that follows.

TABLE OF CONTENTS

Page

Warranty	2
Introduction	3
Features	3
Warnings	4
Mounting & Operation	5
Decal Locations	5
Parts List	6
Index	7

FEATURES

Designed for use in carrying up to 2000 lb (910 kg) round bales

Designed for convenient mounting on Category II tractors with 3-point hitch provision

Dimensions in Inches (Millimeters)

Length of 66 (1676) Overall

Height of 21 (533)

Fork Length of 53 (1346)

Fork Spread of 31 (787)


Weight of 265 lb (120 kg) Approximate

WARNING

BEFORE YOU ATTEMPT TO OPERATE THIS EQUIPMENT, READ AND STUDY THE FOLLOWING SAFETY INFORMATION. IN ADDITION, MAKE SURE THAT EVERY INDIVIDUAL WHO OPERATES OR WORKS WITH THIS EQUIPMENT, WHETHER FAMILY MEMBER OR EMPLOYEE, IS FAMILIAR WITH THESE SAFETY PRECAUTIONS.

Gehl Company always takes the operator and his safety into consideration when designing farm machinery and guards exposed moving parts for his protection; however, some areas cannot be guarded or shielded in order to assure proper operation. In addition, the operator's manual and decals on the machine itself warn you of further danger and should be read and observed closely.



This safety alert symbol  means **ATTENTION! BECOME ALERT! YOUR SAFETY IS INVOLVED!** It stresses an attitude of "HEADS UP" for safety and can be found throughout this operator's manual and on the unit itself.

Remember: The careful operator is the best operator. Most accidents are caused by human error. Certain precautions must be observed to prevent the possibility of injury or damage.

Please read the rules listed below for safe operation **BEFORE** you operate this equipment.

Carry bale low to the ground!

Mount Carrier only to Category II tractor!

BE SURE at least 1500 lb (683 kg) weight is available on tractor front end!

DO NOT operate Carrier unless Chains are secured around Draft Arms!

DO NOT operate Carrier without Center Stabilizer Tine!

DO NOT allow anyone to ride on Carrier!

DO NOT transport bale unless it is properly secured!



MOUNTING & OPERATION

Attach Bale Carrier as shown in Fig. 1. Remove and retain Hose and Hose Clamp from Center Point (refer to Parts List illustration).



WARNING: After tractor connection is made, fasten Chains around Draft Arms as shown.

Insert Carrier completely into front or side of bale. Raise and tilt bale back toward tractor **BEFORE** transporting.

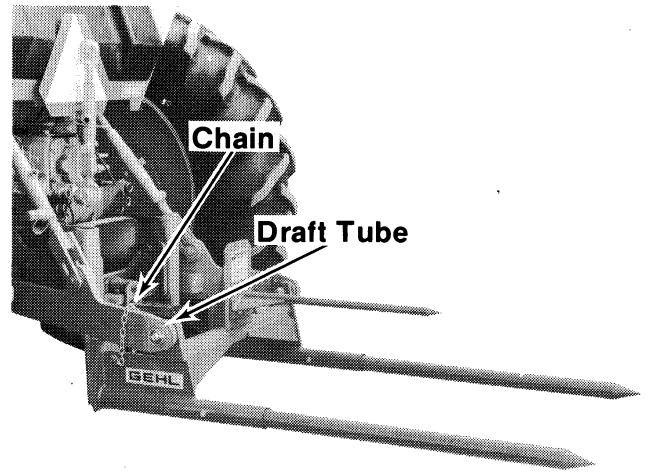


Fig. 1

DECAL LOCATION

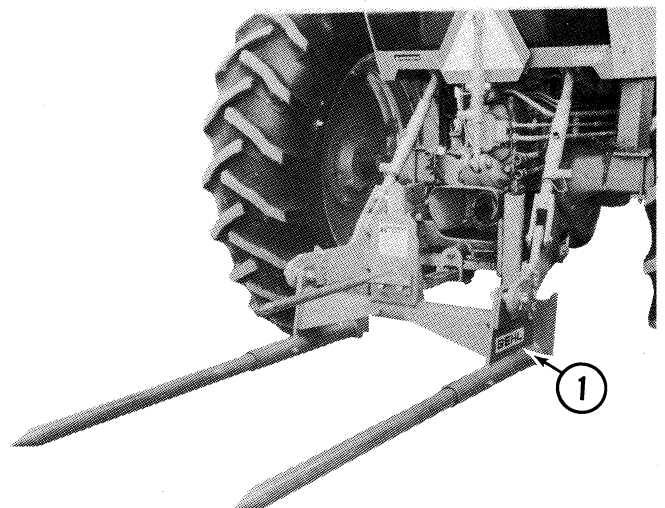
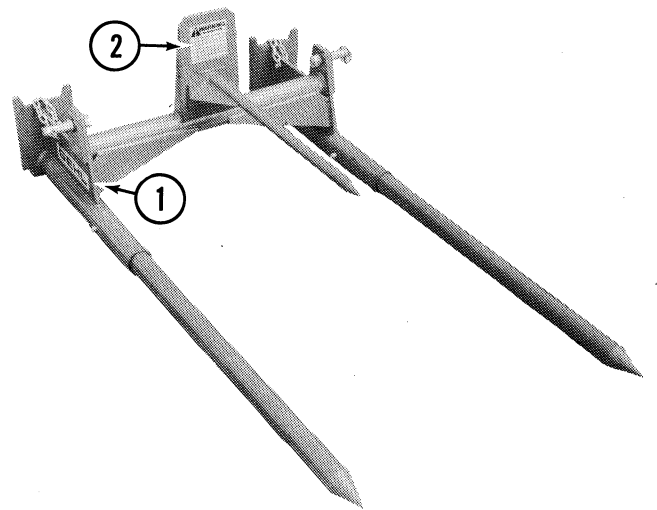
Decal Locations are shown to assist in application of new decals in the event of damage to the decal or refinishing of the machine. Check below for their locations.

Surfaces **MUST** be free from dirt, dust, grease and other foreign material before applying decals. To apply decals, remove the smaller portion of the decal backing paper and apply this part of the exposed adhesive backing to the clean surface in respective position. Peel other portion of the backing paper off slowly and apply decal.

The Decal Set Number for BC1500 is 060678. The set includes the following Decals:

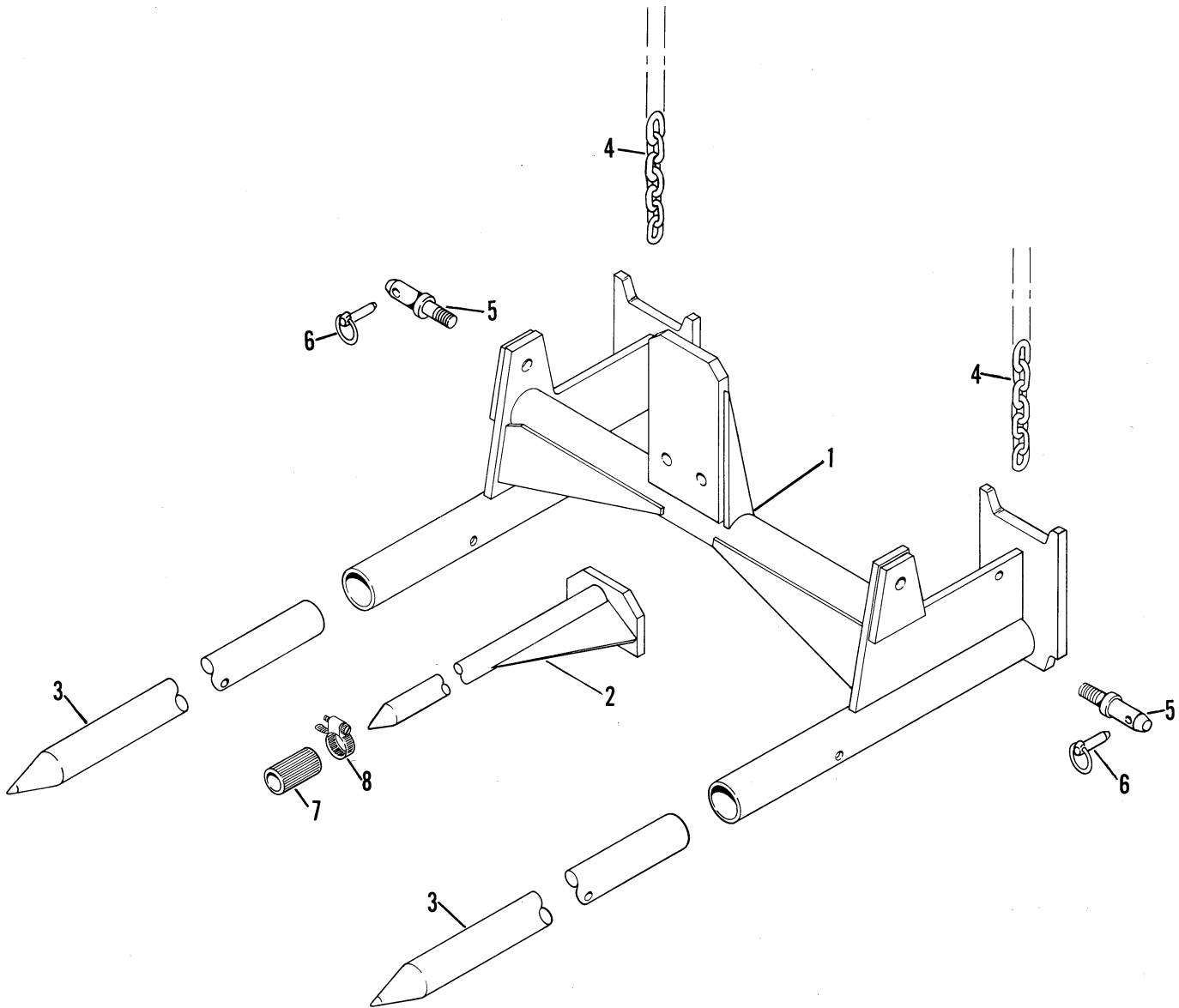
- 1 - 060576 GEHL (2 Places)
- 2 - 060577 WARNING - General

 **NOTE:** Apply rust preventative oil or grease to surfaces where paint wears off.



BC1500 Bale Carrier

Consists of:



PARTS LIST

Ref. No.	Part No.	Part Name	No. Req.
1	060453	Frame - Bale Carrier	1
	650650	HHCS 1/2 x 3-1/2	2
	(2) 1/2 HLN 650806		
2	060462	Centering Point	1
	650710	HHCS 5/8 x 2-1/4	2
	(2) 5/8 HN 653021 - (2) 5/8 LW 654032		
3	060466	Bale Tine	2
4	060469	Chain - 24 Link	2
	650579	HHCS 3/8 x 1-3/4	2
	(2) 3/8 HN 653010 - (4) 3/8 PW 654006		
	(2) 3/8 LW 654026		
5	060470	Link Pin	2
	(2) 7/8 HN 650651 - (2) 7/8 LW 650652		
6	060471	Klick Pin	2
7	060945	Hose	1
8	060946	Hose Clamp	1



IMPORTANT HARDWARE NOTICE

All Bolts used on this unit are Cadmium Plated Grade 5, unless otherwise specified. All Bolt lengths and diameters are in Inches, unless otherwise specified.

The following abbreviations are used in this Parts List:

- HHCS - Hexagon Head Cap Screw
- HN - Hexagon Nut
- HLN - Hexagon Lock Nut
- PW - Plain Washer
- LW - Lock Washer



NOTE: For Shipping Only

- 7 060945 Hose
- 8 060946 Hose Clamp

INDEX

Page

Decal Locations	5
Features	3
Introduction	3
Mounting & Operation	5
Parts List	6
Table of Contents	3
Warnings	4
Warranty	2

GEHL®

FARM EQUIPMENT

GEHL COMPANY WEST BEND, WISCONSIN 53095 U.S.A.