



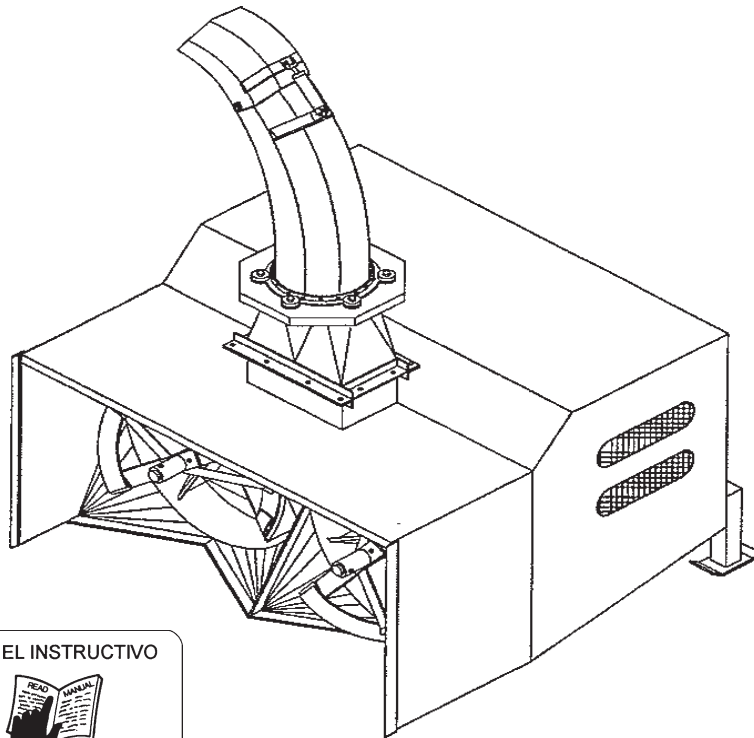
GREAT WHITE M-8000MD

Commercial Snow Blower

Published 08/05

P/N 5040P

PART'S MANUAL



ATENCIÓN!

LEA EL INSTRUCTIVO

Si No Lee Ingles, Pida Ayuda a Alguien
Que Si Lo Lea Para Que le Traduzca las
Medidas de Seguridad.



An Operator's Manual was shipped with the equipment in the Manual Canister. This Operator's Manual is an integral part of the safe operation of this machine and must be maintained with the unit at all times. **READ, UNDERSTAND, and FOLLOW** the Safety and Operation Instructions contained in this manual before operating the equipment. If the Operator's Manual is not with the equipment, contact your dealer or Alamo Industrial (830-379-1480) to obtain a copy before operating the equipment.

ALAMO INDUSTRIAL

1502 E. Walnut
Seguin, Texas 78155
830-379-1480

© 2005 Alamo Industrial



TO THE OWNER/OPERATOR/DEALER

All implements with moving parts are potentially hazardous. There is no substitute for a cautious, safe-minded operator who recognizes the potential hazards and follows reasonable safety practices. The manufacturer has designed this implement to be used with all its safety equipment properly attached to minimize the chance of accidents.

BEFORE YOU START!! Read the safety messages on the implement and shown in your manual. Observe the rules of safety and common sense!

DANGER

FAILING TO FOLLOW SAFETY MESSAGES AND OPERATING INSTRUCTIONS CAN CAUSE SERIOUS BODILY INJURY OR EVEN DEATH TO OPERATOR AND OTHERS IN THE AREA.

<p>1. </p>	<p>2. NO RIDERS. NO CHILDREN OPERATORS.</p>	<p>3. USE SAFETY SHOES, HARD HAT, SAFETY GLASSES, SEAT BELTS, & ROPS</p>	<p>4. BLOCK UP SECURELY BEFORE WORKING UNDER.</p>
------------	--	---	--

1. Study and understand operator's manual, safety signs, and Instructional decals for tractor and implement to prevent misuse, abuse, and accidents.

- Learn how to stop engine suddenly in an emergency. Be alert for passerby and especially children.

2. Allow no children on or near implement or tractor. Allow no riders on tractor and implement. Falling off may cause serious injury or death from being run over by tractor or cutter or contact with rotating blades.

3. Operate only with tractor having Roll-Over Protective Structure (ROPS) and with seatbelt fastened securely and snugly to prevent injury and possible death from falling off or tractor overturn. Personal Protective Equipment such as Hard Hat, Safety Glasses, Safety Shoes, and Ear Plugs are Recommended.

4. Block up or support raised machine and all lifted components securely before putting hands or feet under or working underneath any lifted components to prevent crushing injury or death from sudden dropping or inadvertent operation of controls. Make certain area is clear before lowering or folding.

5. Before transporting, put Lift Lever in detent or full-lift position. Secure the implement for transport by installing Cylinder Stops or Transport Pin on Pull-type implement center axle and Wing Transport Locks on folding implements.

- Attach Safety Chain to cutter and towing unit securely. See Operator's Manual.

6. Make certain that the SMV sign, Warning Lights, and Reflectors are clearly visible. Follow local traffic codes.

7. Never operate with Cutting Head raised if passerby, bystanders, or traffic are in the area to reduce possibility of injury or death from Objects thrown by Blades under Guard or cutter structure.

8. Before dismounting, secure implement in transport position or lower to ground.

- Put tractor in park or set the brake, disengage PTO, stop engine, and remove key, and wait until noise of rotation has ceased to prevent entanglement in rotating parts which can cause injury or death.
- Never mount or dismount a moving vehicle. Crushing from runover may cause injury or death.

<p>5. TRANSPORT SAFELY, LOCK UP.</p>	<p>6. USE SMV LIGHTS, & REFLECTORS.</p>	<p>7. DO NOT OPERATE WITH CUTTER OR WING RAISED.</p>	<p>8. DO NOT MOUNT OR DISMOUNT WHILE MOVING.</p>
---	--	---	---

00749117

WARRANTY INFORMATION:

Read and understand the complete Warranty Statement found in this Manual. Fill out the Warranty Registration Form in full and return it to within 30 Days. Make certain the Serial Number of the Machine is recorded on the Warranty Card and on the Warranty Form that you retain.

PARTS ORDERING GUIDE

The following instructions are offered to help eliminate needless delay and error in processing purchase orders for the equipment in this section.

1. The Parts Section is prepared in logical sequence and grouping of parts that belong to the basic machine featured in this manual. Part Numbers and Descriptions are given to help locate the parts and quantities required.
2. The Purchase Order must include the name and address of the person or organization ordering the parts, who should be charged, and if possible, the serial number of the machine for which the parts are ordered.
3. The Purchase Order must clearly list the quantity of each part, the complete and correct part number (be sure to include all periods), and the basic name of the part.
4. The Manufacturer reserves the right to substitute parts where applicable.
5. Some parts are unlisted items which are special production items not normally stocked and are subject to special handling. Request a quotation for such parts before sending a Purchase Order.
6. The Manufacturer reserves the right to change prices without prior notice.

NOTE: Please refer to The Safety Section in the front of this Manual for the proper Part Number when ordering Replacement Safety Decals.



For maximum safety and to guarantee optimum product reliability, always use genuine Servis-Rhino Parts. The use of inferior replacement parts may cause premature or catastrophic failure which could result in serious injury or death. Direct any questions regarding parts to:

ALAMO INDUSTRIAL

ALAMO INDUSTRIAL

1502 E. Walnut
Seguin, Texas 78155
830-379-1480

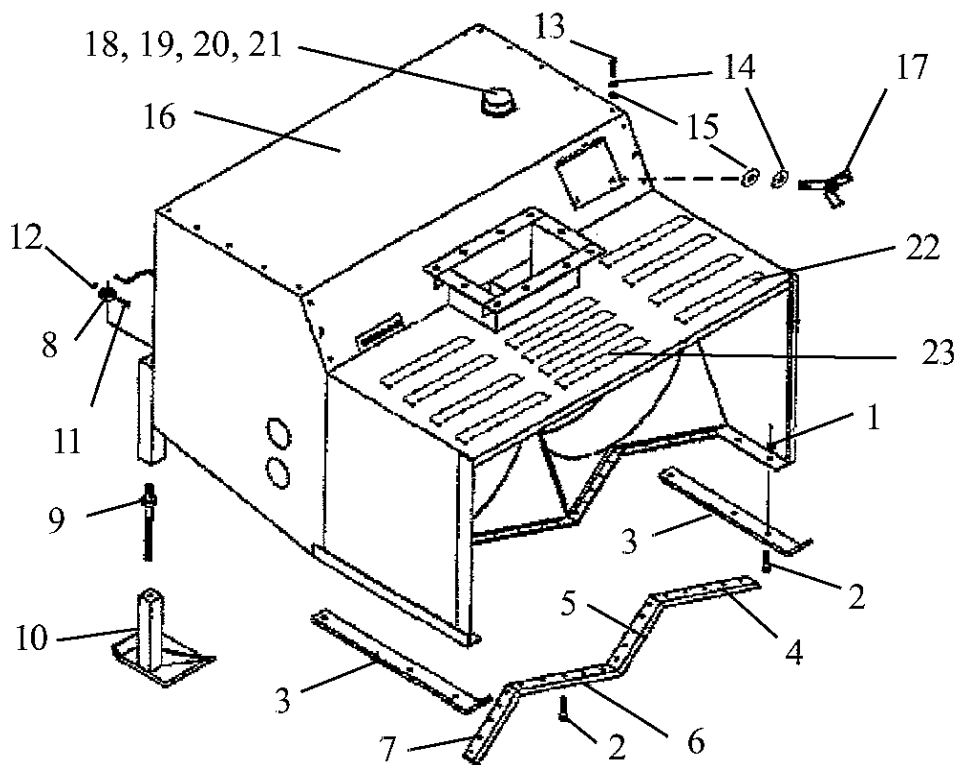


PARTS SECTION

PART NAME INDEX

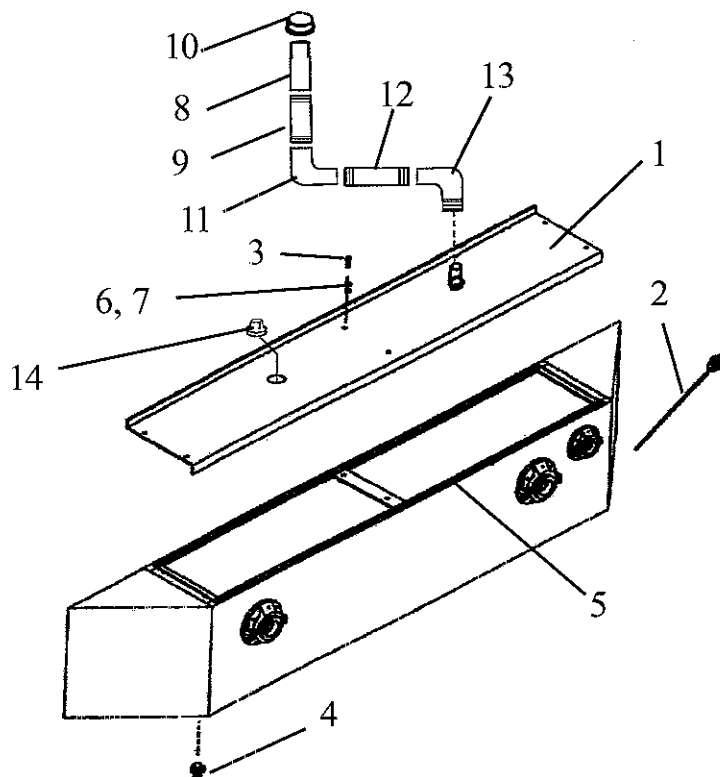
AIR SYSTEM	7
BLOWER DOOR ASY	12
CASTER WHEEL KIT (OPTIONAL)	16
CHAIN IDLER ASY	9
CUTTING EDGES AND WEAR BARS	5
FAN ASY	10
FAN SHAFT ASY	11
FUEL TANK ASY	4
GEARBOX ASY	13
HUB ASY (OPTIONAL)	17
HYDRUALIC CYLINDER (00783837)	14
HYDRUALIC CYLINDER (00784499)	15
OIL TANK PARTS	6
RESIDENTIAL HORIZONTAL MUFFLER KIT (OPTIONAL)	22
SPOUT ASY (OPTIONAL)	20
SPOUT ASY, TELESCOPING (OPTIONAL)	18
SWING ARM ASY	8

CUTTING EDGES AND WEAR BARS



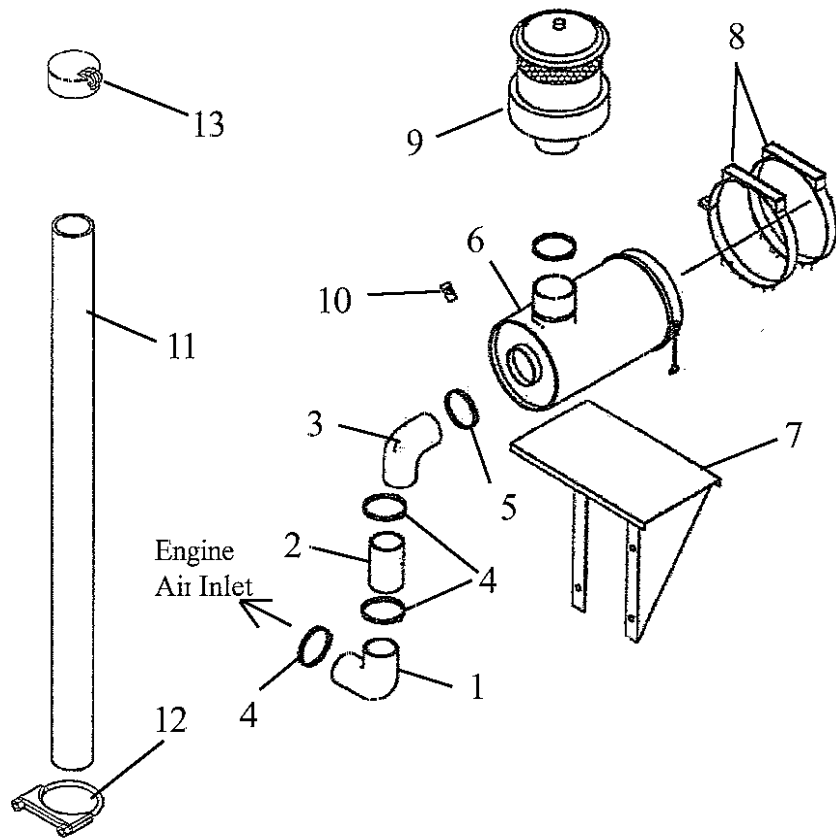
ITEM	PART NO.	QTY.	DESCRIPTION
1	00695100	28	NUT, TOPLOCK 5/8-NC
2	31124H5C	28	FL HD CAP SCREW, 5/8-NC X 2
3	00783216	2	SKID SHOE
4	00784132	1	OUTSIDE EDGE, LH
5	00784133	1	INSIDE EDGE, LH
6	00784134	1	INSIDE EDGE, RH
7	00784135	1	OUTSIDE EDGE, RH
8	00783131	2	JACK SHAFT COLLAR
9	00784560	2	SKID JACK SHAFT
10	00784561	2	SKID BASE
11	02957009	2	HHCS 3/8 NC 3-1/2 PL5
12	000640	2	LOCKNUT CLM 3/8 NC PLB
13	00011400	16	HHCS 3/8 NC 1 PL5
14	03101646	18	LOCKWASHER, 3/8
15	00011100	18	FLATWASHER 3/8 PL
16	00784429	1	MOTOR FRAME HOOD
17	00784562	2	WING HD THUMB SCREW 3/8 NC X 3/4
18	00784571	1	PLATE, RADIATOR CAP
19	00021400	1	HEX CAPSCREW 1/4 NC 3/4 PL5
20	00024100	4	FLATWASHER STD 1/4
21	32901C	1	HEX LOCKNUT 1/4 NC
22	00784600	8	TAPE, ANTI-SLIP 4 X 24
23	00784601	4	TAPE, ANTI-SLIP 4 X 48

OIL TANK PARTS



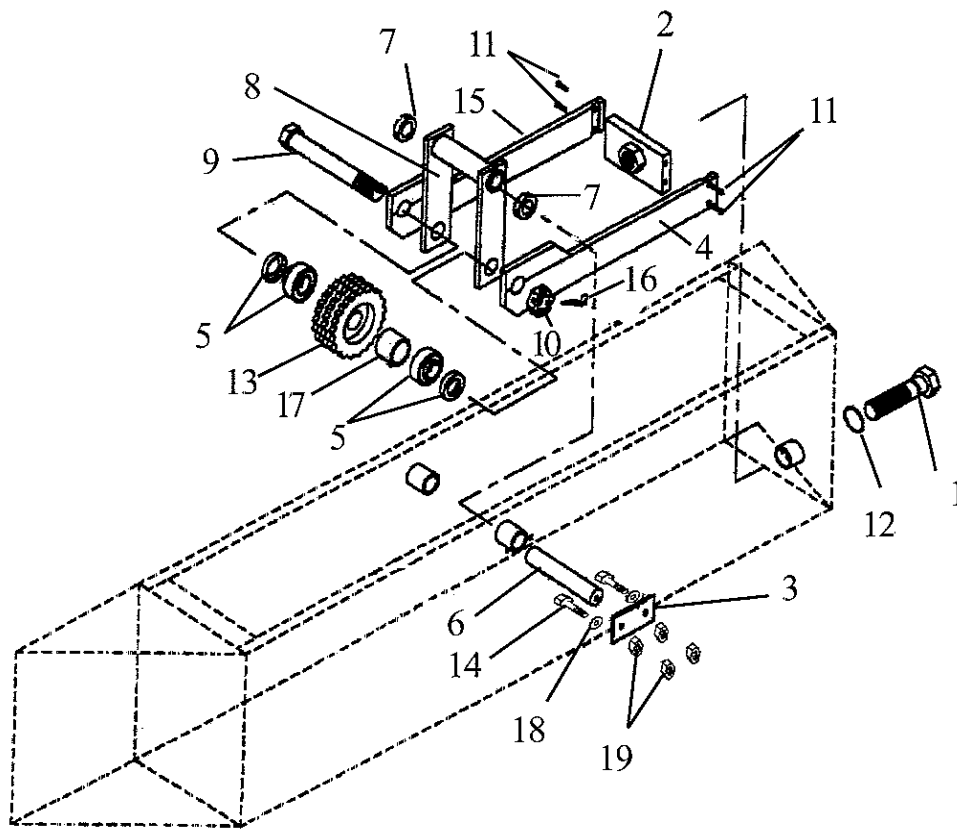
ITEM	PART NO.	QTY.	DESCRIPTION
1	00784451	1	TANK LID
2	00784453	1	DIPSTICK
3	00011400	6	BOLT, HEX HEAD 3/8"-NC X 1" PL GR5
4	00784028	1	MAGNETIC DRAIN PLUG, 1"
5	00783692	14'	FOAM, 3/8" X 1-1/4"
6	03101646	6	LOCKWASHER, 3/8"
7	00011100	6	FLATWASHER, 3/8" PL STD
8	00783317	1	COUPLER, 1"-MACHINED
9	100410	1	PIPE NIPPLE 1 X 6
10	00784137	1	CAP BREATHER
11	12105	1	PIPE ELBOW, 1" X 90 DG
12	10046	1	PIPE NIPPLE, 1" X 4"
13	11105	1	STREET ELBOW 1" X 90 DG
14	00784163	1	PLUG PLASTIC, 3"

AIR SYSTEM



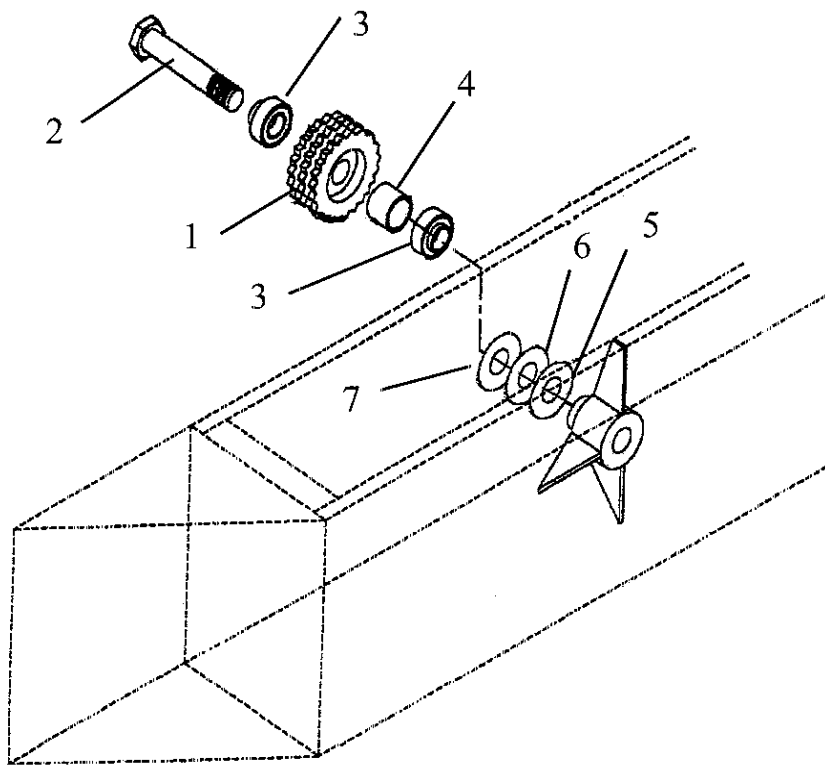
ITEM	PART NO.	QTY.	DESCRIPTION
1	00784165	1	4" X 90° RUBBER ELBOW
2	00784650	1	4" X 16"
3	00784651	1	90° ELBOW, RUBBER 5" X 4"
4	00784652	3	CLAMP, T-BOLT-4"
5	00784653	1	CLAMP, T-BOLT-5"
6	00784654	1	AIR CLEANER ASSY
7	00784346	1	AIR CLEANER SUPPORT
8	00784655	2	MOUNTING BAND
9	00784656	1	PRE-CLEANER TURBO II
10	00784657	1	AIR CLEANER RESTRICTION GAUGE
11	00784658	1	PIPE, EXHAUST STACK, 3" X 4'
12	00784816	1	EXHAUST BAND CLAMP, 3"
13	00784659	1	RAIN CAP, 3"

SWING ARM ASY



ITEM	PART NO.	QTY.	DESCRIPTION
1	00784290	1	TIGHTNER BOLT
2	00784298	1	TIGHTNER END
3	00783134	1	SLEEVE COVER
4	00784765	1	HORIZONTAL TIGHTNER BAR, REAR
5	00783588	2	INSERT BEARING, 1-1/2"
6	00784303	1	SWING SLEEVE SHAFT
7	00783593	2	1-1/2" SET COLLAR
8	00784567	1	SWING ARM
9	00784304	1	BOLT, TIGHTNER
10	0142100	1	NUT CASTLE 1-1/2 12
11	31305H5C	4	HEX CAP 7/16-14 X 1 GR.5
12	00783782	1	O-RING
13	00784280	1	SPROCKET, 16 TOOTH
14	00753642	2	HHCS 3/8 NC X 1-1/4 PL5
15	00784766	1	HORIZONTAL TIGHTNER BAR, FRONT
16	164024	1	PIN, COTTER 1/4 X 3 PL
17	00784568	1	SPACER, SPROCKET
18	00011100	2	FLATWASHER 3/8 PL STD
19	00013901	4	HEX NUT, 3/8 NC PL

CHAIN IDLER ASY



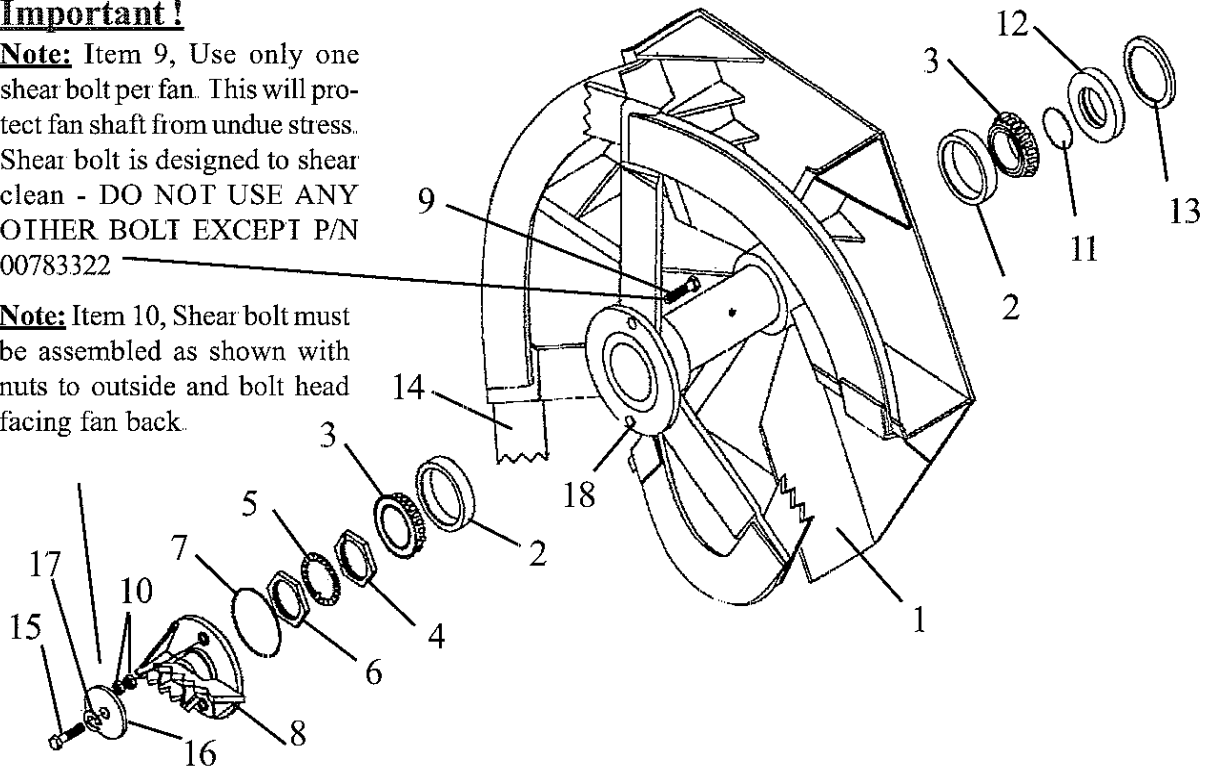
ITEM	PART NO.	QTY.	DESCRIPTION
1	00784280	1	SPROCKET, 16 TOOTH
2	00784292	1	IDLER BOLT
3	00783588	2	INSERT BEARING, 1-1/2"
4	00784568	1	SPACER, SPROCKET
5	00784569	A/R	BUSHING, MACHINERY-LIGHT
6	1458411	A/R	BUSHING, MACHINERY-MEDIUM
7	44873	A/R	BUSHING, MACHINERY-HEAVY

FAN ASY

Important!

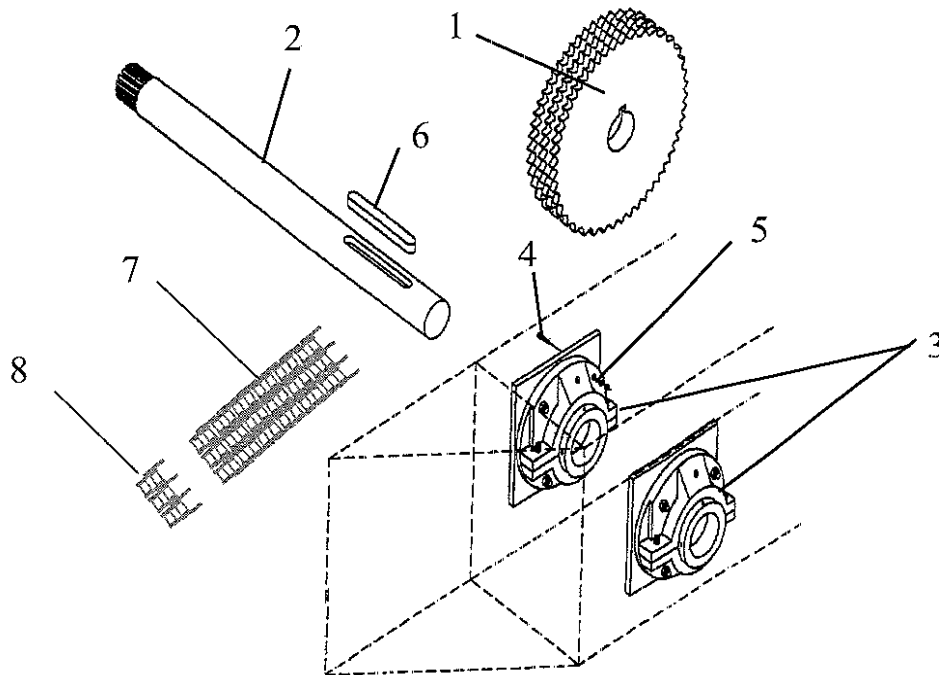
Note: Item 9, Use only one shear bolt per fan. This will protect fan shaft from undue stress. Shear bolt is designed to shear clean - DO NOT USE ANY OTHER BOLT EXCEPT P/N 00783322

Note: Item 10, Shear bolt must be assembled as shown with nuts to outside and bolt head facing fan back.



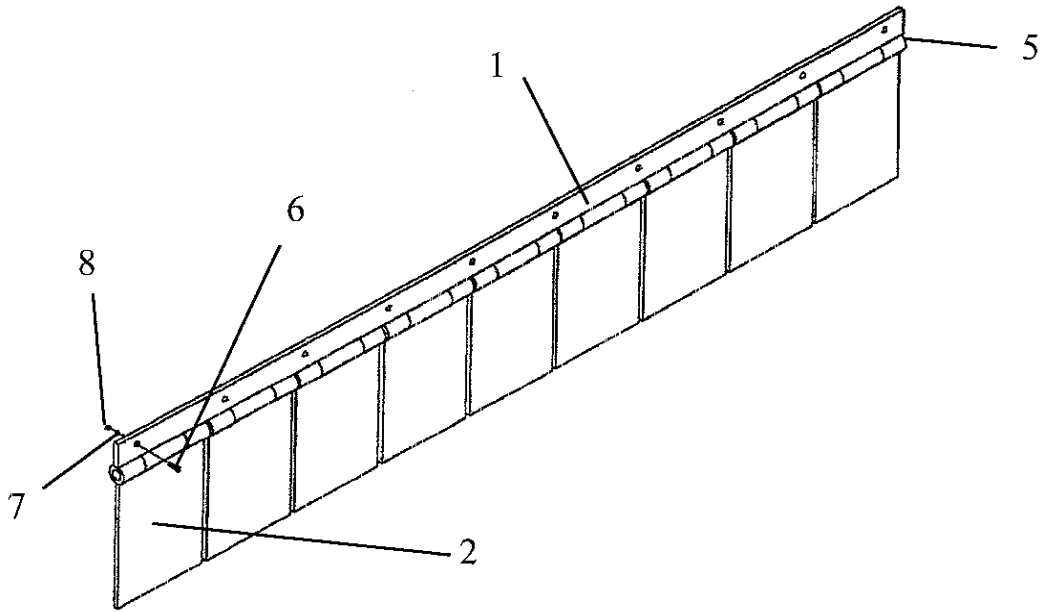
ITEM	PART NO.	QTY.	DESCRIPTION
1	00784012	1	FAN, CW
	00784013	1	FAN, CCW
2	00783772	2	CUP BEARING
3	00783773	2	CONE BEARING
4	00783898	1	LOCK RING
5	00783903	1	INNER NUT
6	00783901	1	OUTER NUT
7	00783978	1	O-RING
8	00784130	1	BEAR CLAW RH
	00784131	1	BEAR CLAW LH
9	00783322	1	SHEAR BOLT
10	00001200	2	NUT, HEX 1/2"-NC
11	00783979	1	O-RING
12	00784328	1	BEARING RETAINER
13	00783995	1	SEAL
14	00784278	3	FAN BEAR CLAW
15	00748823	1	BOLT, HEX HEAD 1/2"-13UNC X 1-1/2" PL GR5
16	00784329	1	SHAFT CAP
17	00001300	1	LOCKWASHER 1/2 PL STD
18	00783689	2	BUSHING, HUB

FAN SHAFT ASY



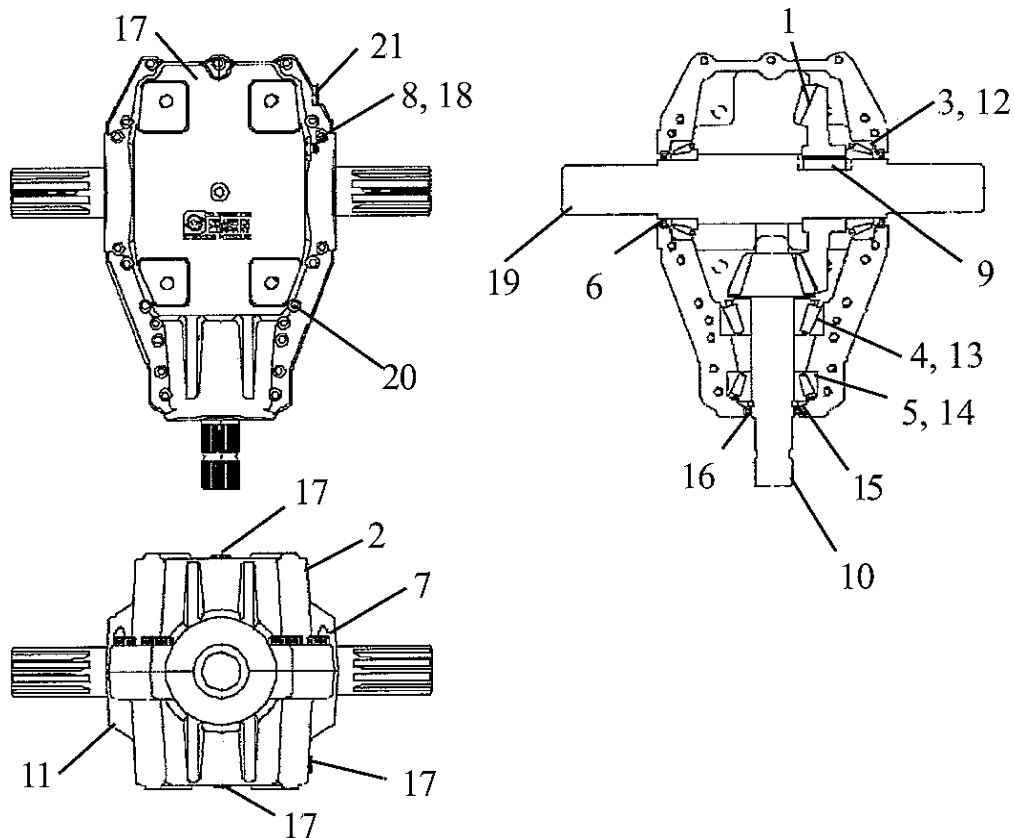
ITEM	PART NO.	QTY.	DESCRIPTION
1	00783795	2	SPROCKET, 36 TOOTH (80-3)
2	00783945	2	FAN SHAFT
3	00784150	4	BEARING, FLANGED
4	00007800	16	BOLT, HEX HEAD 3/4"-NC X 3" PL GR5
5	00000200	32	NUT, HEX 3/4"-NC PL
6	40686.5	2	KEY, 7/8" X 7/8" X 6-1/2"
7	00784151	1	CHAIN, 80-3 X 155 PITCHES
8	00784152	1	CHAIN CONNECTING LINK, 80-3

BLOWER DOOR ASY



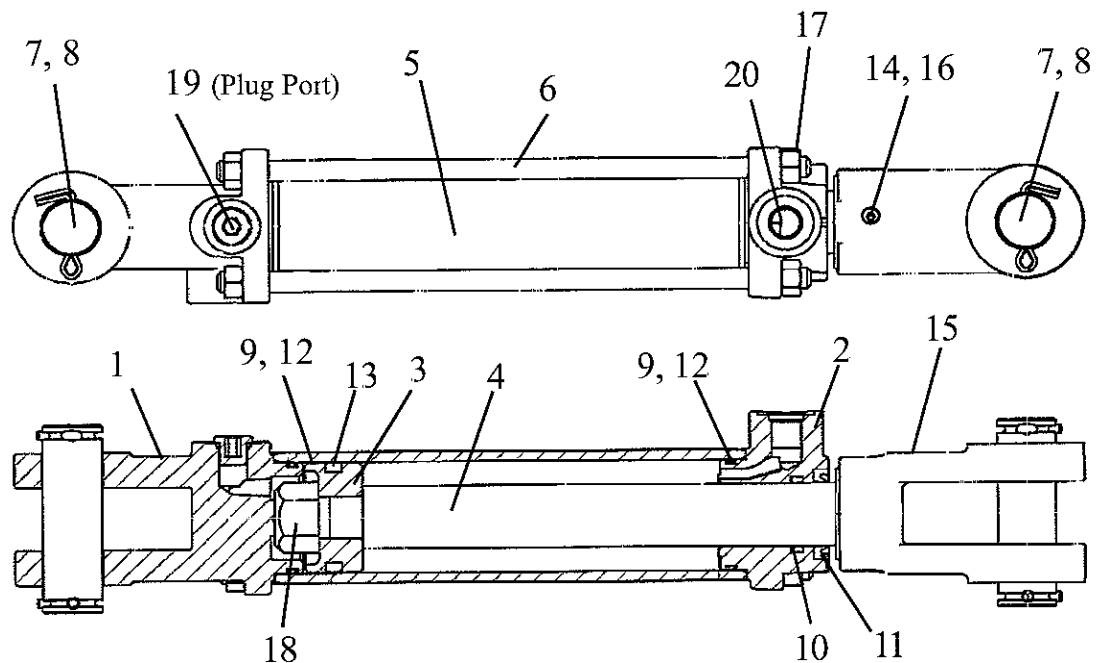
ITEM	PART NO.	QTY.	DESCRIPTION
1	00784316	1	HINGE
2	00784315	9	FLAP
5	00784318	1	PIN, HINGE
6	00999418	10	HHCS 1/2-13UNC 3-1/2 PL5
7	00001300	10	LOCKWASHER 1/2 PL
8	00001200	10	NUT,HEX 1/2 NC PL

GEARBOX ASY



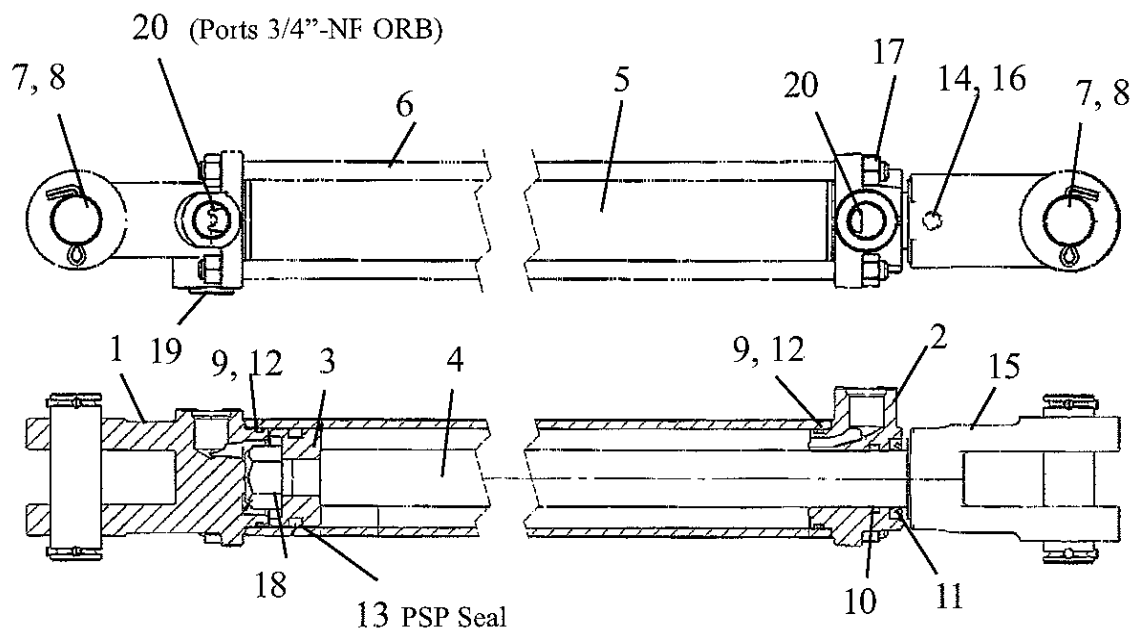
ITEM	PART NO.	QTY.	DESCRIPTION
	00784727	-	GEAR BOX ASSEMBLY
1	00784533	1	GEAR
2	00784728	1	HOUSING, TOP
3	2116000	2	BEARING CUP
4	00784535	1	BEARING CUP
5	00784536	1	BEARING CUP
6	00784537	2	SEAL, OUT PUT
7	318810H8C	11	SCKT HD CAP 3/8-16 X 2 1/4 GR.8
8	150015	1	PIPE BUSHING 1/2 X 1/8
9	00784538	1	KEY 5/8
10	00784539	1	PINION GEAR
11	00784729	1	HOUSING BOTTOM
12	2116001	2	BEARING CONE
13	00784541	1	BEARING CONE
14	00784542	1	BEARING CONE
15	00784543	1	RETAINING RING, EXT
16	00784544	1	SEAL, INPUT
17	13034	5	PIPE PLUG 1/2 SCKT HD
18	00766918	1	PLUG, PRESSURE RELIEF
19	00784545	1	SHAFT CROSS
20	319010H8C	11	SHCS 1/2 NC X 2-1/4 PL8
21	13032	1	PIPE PLUG 1/4 SCKT HD

HYDRUALIC CYLINDER (00783837)



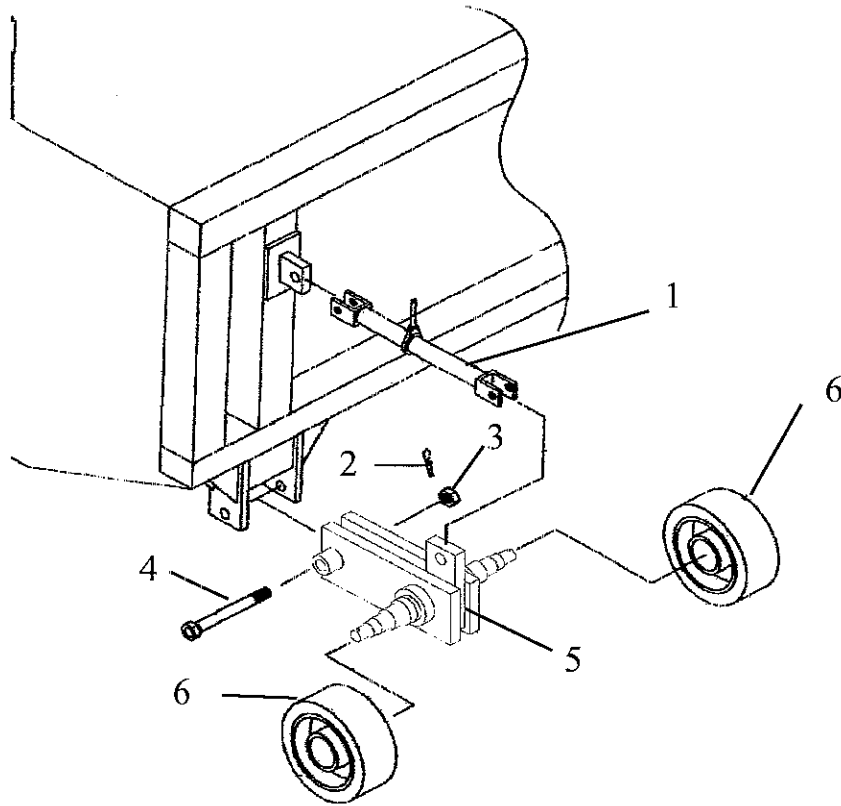
ITEM	PART NO.	QTY.	DESCRIPTION
	00783837	--	HYDRAULIC CYLINDER ASY
1	00784254	1	CLEVIS CAP
2	00784253	1	ROD CAP
3	1417141	1	PISTON
4	00784255	1	ROD
5	00784251	1	TUBE
6	00784252	4	TIE ROD
7	3047104	2	PIN
8	49045	2	COTTER PIN, 3/16" X 1-3/4"
9	-----	2	O-RING, (INCLUDED IN ITEM 21)
10	-----	1	SEAL (INCLUDED IN ITEM 21)
11	-----	1	SEAL, WIPER ROD (INCLUDED IN ITEM 21)
12	-----	2	SEAL (INCLUDED IN ITEM 21)
13	-----	1	SEAL, PISTON (INCLUDED IN ITEM 21)
14	3047117	1	THREAD LOCK
15	3047119	1	ROD CLEVIS
16	0116000	1	SET SCREW, SOCKET HEAD 3/8"-NC X 1/2"
17	33003H5C	8	HEX NUT 3/8"-16 GR.5
18	5JRC12160	1	LOCKNUT, TOPLOCK 3/4"-NF PLC
19	00784250	1	PLUG, 9/16"-18NF SOCKET HEAD STR
20	00784249	2	THREAD PROTECTOR, PLASTIC
21	00768668	1	SEAL KIT, (INCLUDED ITEMS 9,10,11,12,13)

HYDRUALIC CYLINDER (00784499)



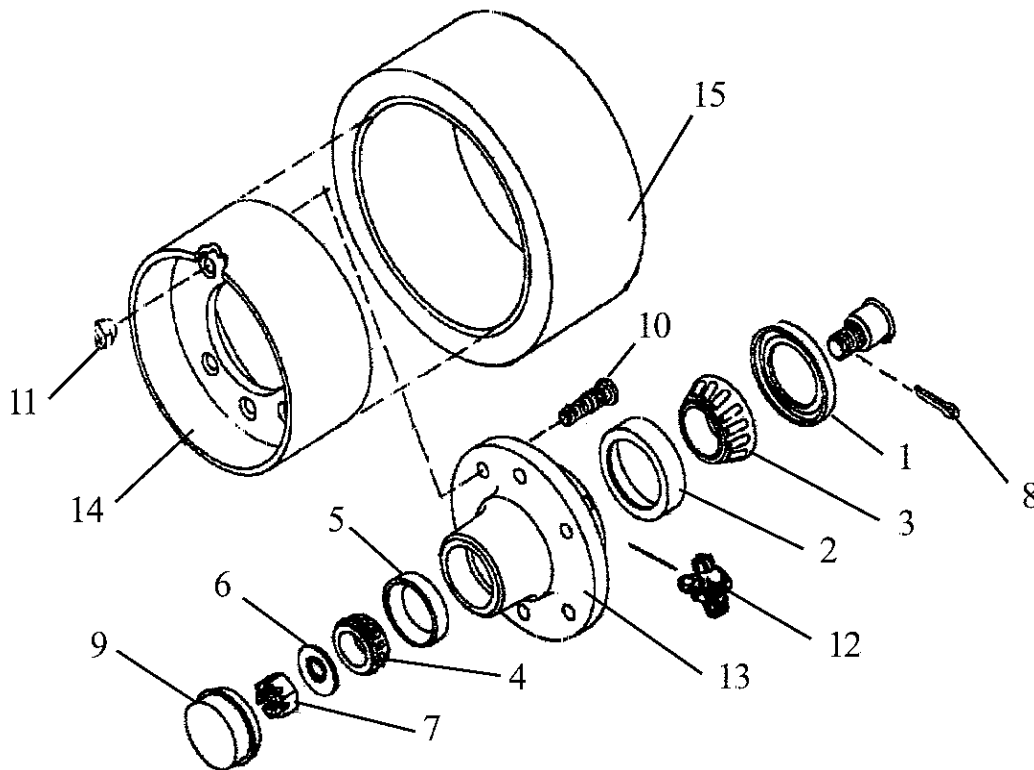
ITEM	PART NO.	QTY.	DESCRIPTION
	00784499	--	HYDRAULIC CYLINDER ASY.
1	00768663	1	CLEVIS CAP
2	00768664	1	ROD CAP
3	1417141	1	PISTON
4	00784532	1	ROD
5	00784530	1	TUBE
6	00784531	4	TIE ROD
7	3047104	2	PIN
8	00755153	1	COTTER PIN 3/16" X 1-1/2" PLATED
9	-----	2	O-RING (INCLUDED IN ITEM 21)
10	-----	1	SEAL (INCLUDED IN ITEM 21)
11	-----	1	SEAL, ROD WIPER (INCLUDED IN ITEM 21)
12	-----	2	SEAL (INCLUDED IN ITEM 21)
13	-----	1	SEAL, PSP (INCLUDED IN ITEM 21)
14	3047117	1	THREAD LOCK, NYLON
15	3047119	1	ROD CLEVIS
16	00116000	1	SETSCREW, SOCKET HEAD
17	33003H5C	8	HEX NUT 3/8"-16 GR.5
18	5JRC12160	1	LOCKNUT, TOPLOCK 3/4"-NF PLC
19	1917132	1	PLUG, SOCKET HEAD O-RNG PLUG, 3/4"-16 UNF,
20	00784529	2	THREAD PROTECTOR, PLASTIC
21	00768668	1	SEAL KIT, INCLUDES ITEM 9,10,11,12,13

CASTER WHEEL KIT (OPTIONAL)



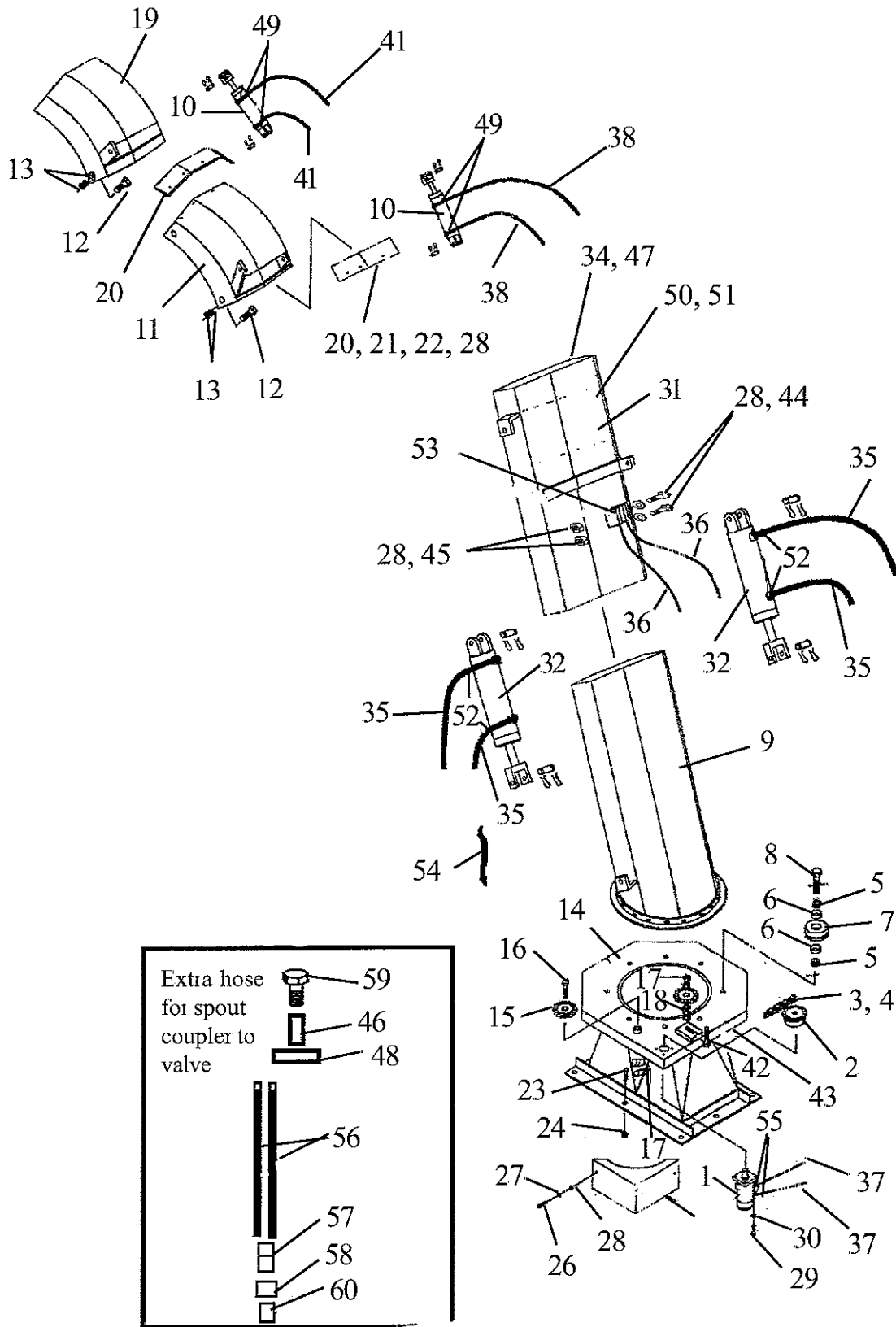
ITEM	PART NO.	QTY.	DESCRIPTION
1	00554600P	2	RATCHET JACK
2	49055	2	COTTER PIN 1/4 X 2
3	330910C	2	HEX SLOTTED NUT 1-14
4	00784485	2	ARM BOLT
5	00784661	2	WHEEL STRUT
6	00784481	4	TIRE & RIM ASSY

HUB ASY (OPTIONAL)



ITEM	PART NO.	QTY.	DESCRIPTION
1	00784595	1	SEAL, GREASE
2	00757533	1	BEARING CUP
3	00757532	1	BEARING CONE
4	0536003	1	BEARING CONE
5	0536002	1	BEARING CUP
6	00784596	1	WASHER, RETAINING
7	330910C	1	HEX SLOTTED NUT 1-14
8	00606000	1	PIN-COTTER 3/16 X 2
9	0536700	1	HUB CAP
10	0538400	6	DRIVE STUD, 1/2-20X1 7/8
11	00750614	6	NUT 1/2-20NF
12	00784597	1	FITTING, GREASE-RELIEF
13	00784598	1	HUB-6-BOLT
14	00784482	1	RIM,6-BOLT
15	00784483	1	TIRE

SPOUT ASY, TELESCOPING (OPTIONAL)

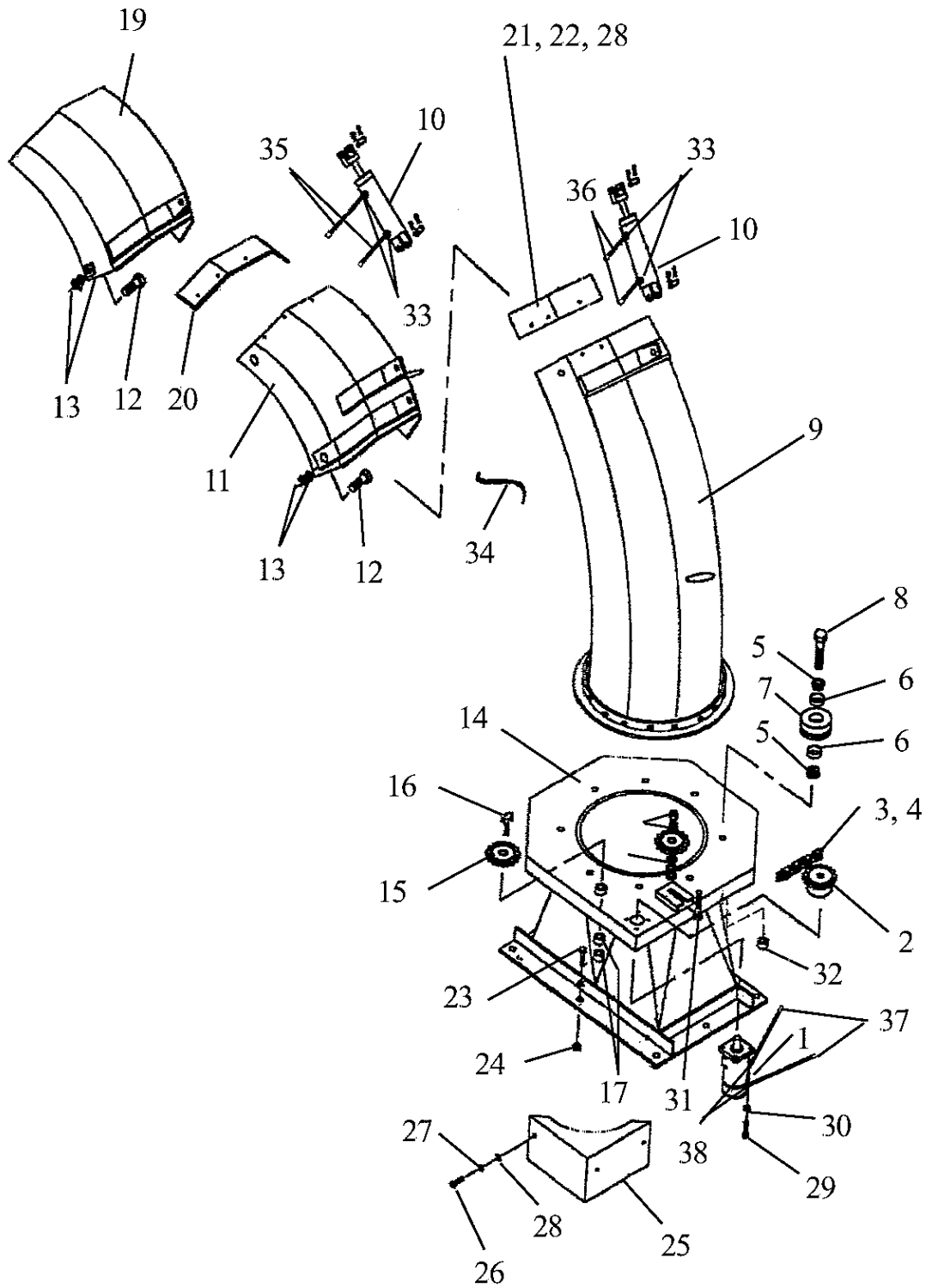


SPOUT ASY, TELESCOPING (OPTIONAL)

ITEM	PART NO.	QTY.	DESCRIPTION
1	00783779	1	MOTOR, HYD. -4BOLT MNT
2	00784098	1	SPROCKET & HUB
3	00783735	1	CHAIN , ROLLER 2060 X 60
4	00783736	1	CONNECTOR LINK, 2060
5	00783589	16	BEARING CONE
6	6W604	16	BEARING CUP
7	00783155	8	HOLD DOWN
8	317010H5C	8	HEX CAP 3/4-10 X 3 1/2 GR.5
9	00784503	1	TELESCOPING SPOUT, INNER
10	00783837	2	HYDRUALIC CYLINDER 2X6
11	00784501	1	SECONDARY SPOUT
12	31795H5C	4	HEXB 1 NCX 2 1/2 PL5
13	23511000	8	NUT JAM HEX 1 NC PL
14	00784094	1	SPOUT BASE
15	00783716	2	IDLER SPROCKET-15 TOOTH
16	316013H5C	1	HEX CAP 5/8-11 X 3 1/2 GR.5
17	33007C	4	HEX NUT 5/8-11
18	00001400	4	FLATWASHER 5/8 PL STD
19	00784502	1	SPOUT CAP-TELESCOPING
20	00784099	2	FLASHING, SPOUT RUBBER
21	31064H5C	14	FLAT SOCKET CAP SCREW, 1/4 X 3/4 PL5
22	33111C	14	HEX JAM NUT 1/4-20
23	02845500	8	HEXB 5/8 NC 2 PL5
24	00695100	8	NUT, TOPLOCK 5/8 NC PLB
25	00784095	1	MOTOR SHIELD
26	10058000	3	HHCS 1/4 NC 1 PL5
27	00017000	3	LOCKWASHER 1/4 PL
28	00024100	21	FLATWASHER STD 1/4
29	00011400	4	HHCS 3/8 NC1 PL5
30	03101646	4	LOCKWASHER, 3/8
31	00784504	1	TELESCOPING SPOUT, OUTER
32	00784499	2	CYLINDER, HYDRUALIC 2 X 24
33	00783781	2	FLOW DIVIDER
34	00784519	5	PLATE, WEAR LONG
	00784520	2	PLATE, WEAR SHORT
35	00784523	4	HYDRUALIC HOSE, 1/4 X 32
36	00784526	2	HYDRUALIC HOSE, 1/4 X 152
37	00784102	2	HYDRUALIC HOSE, 3/8 X 35
38	00784524	2	HYDRUALIC HOSE, 1/4 X 158
41	00784525	2	HYDRUALIC HOSE, 1/4 X 182
42	00783290	1	LOCK BOLT
43	00000200	8	NUT 3/4 NC
44	02956992	2	HHCS 1/4 NC 4 PL5
45	32901C	2	HEX LOCKNUT 1/4-20
46	00784177	1	CONTROL VALVE
47	00784521	A/R	SHIM-LONG
	00784522	A/R	SHIM-SHORT
48	00783879	1	MANIFOLD, 5-STATION
49	63149100	4	ADAPTER, HYD, ELBOW 6MB-6MJ 90DEG
50	31065H5C	56	FHCS, 1/4 NC X 1 PL5
51	02959924	56	NUT TOPLOCK 1/4 NC
52	001654	4	ADAPTER, HYD, ELBOW 8MB-6MJ 90DEG
53	03200283	6	ADAPTER, HYD, STGHT 6MB-6MJ
54	0138629	2	TY RAP, 13" LONG
55	11103	2	STREET ELBOW 1/2 X 90 DG
56	00784120	2	HYD, HOSE, 3/8 X 38 (SPOUT COUPLER TO VALVES)
57	00783915	2	HOSE COUPLING
58	00784160	2	ADAPTER, HYD STR BH 6MP-6MJ
59	31858H8C	2	SHCS#10 NC X 1-1/2 PL8
60	00784169	2	ADAPTER, HYD ELBOW 8MB-6FPX45DEG

G/W SNOW BLOWER - M8000MD - (08-05)

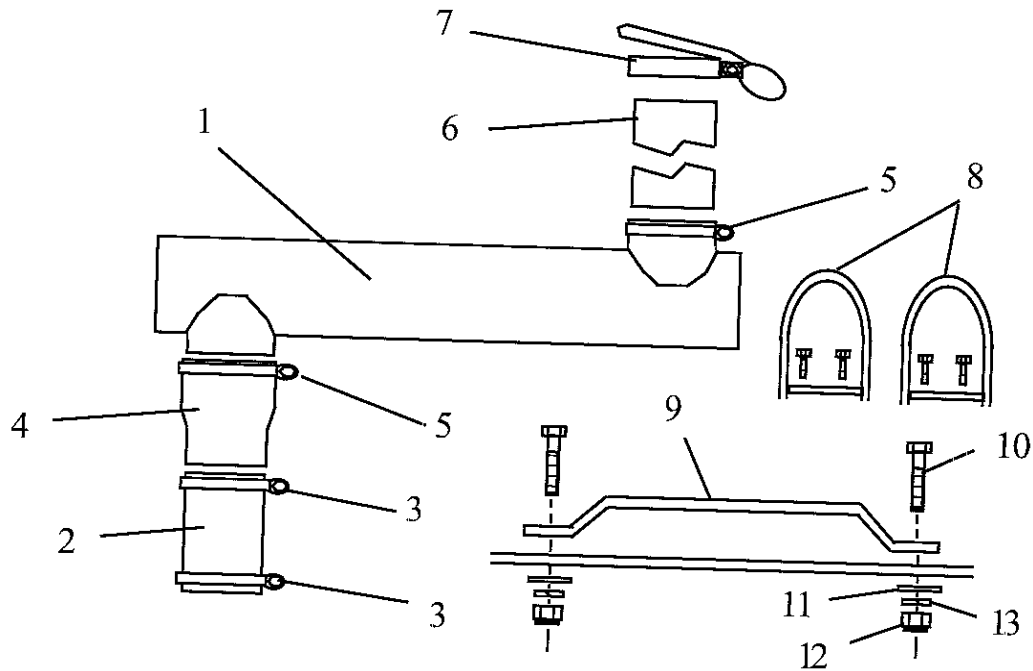
SPOUT ASY (OPTIONAL)



SPOUT ASY (OPTIONAL)

ITEM	PART NO.	QTY.	DESCRIPTION
1	00783779	1	HYD MOTOR, 4 -BOLT MOUNT
2	00784098	1	HUB & SPROCKET
3	00783735	1	CHAIN, ROLLER 2060 X 60
4	00783736	1	CONNECTOR LINK, 2060
5	00783589	16	BEARING CONE
6	6W604	16	BEARING CUP
7	00783155	8	HOLD DOWN
8	317010H5C	8	HEX CAP 3/4-10 X 3 1/2 GR.5
9	00784091	1	SPOUT, PRIMARY
10	00783837	2	CYLINDER , HYDRUALIC 2X6
11	00784092	1	SECONDARY SPOUT
12	31795H5C	4	HEXB 1 NC X 2-1/2 PL5
13	23511000	8	NUT JAM HEX 1 NC PL
14	00784094	1	SPOUT BASE
15	00783716	2	IDLER SPROCKET-15 TOOTH
16	316013H5C	1	HEX CAP 5/8-11 X 3 1/2 GR.5
17	33007C	4	HEX NUT 5/8-11
18	00001400	4	FLATWASHER 5/8 PL
19	00784093	1	SPOUT CAP
20	00784099	2	FLASHING, SPOUT RUBBER
21	31064H5C	14	FLAT SCKHD CPSC 1/4-20 X 3/4 PL5
22	33111C	14	HEX JAM NUT 1/4-20
23	02845500	8	HEXB 5/8 NC 2 PL5
24	00695100	8	NUT, TOPLOCK 5/8 NC PLB
25	00784095	1	SHIELD, MOTOR
26	10058000	3	HHCS 1/4 NC 1 PL5
27	00017000	3	LOCKWASHER 1/4 PL
28	00024100	17	FLATWASHER STD 1/4 PL
29	00011400	4	HHCS 3/8 NC 1 PL5
30	03101646	4	LOCKWASHER, 3/8
31	00783290	1	LOCK BOLT
32	00000200	8	NUT 3/4 NC
33	63149100	4	ADAPTER, HYD, ELBOW 6MB-6MJ 90 DG
34	0138629	2	TY RAP, 13 LONG
35	00784100	2	HYDRUALIC HOSE, 1/4 X145
36	00784101	2	HYDRUALIC HOSE, 1/4 X136
37	00784102	2	HYDRUALIC HOSE, 3/8 X35
38	11103	2	STREET ELBOW 1/2 X 90 DG

RESIDENTIAL HORIZONTAL MUFFLER KIT (OPTIONAL)



ITEM	PART NO.	QTY.	DESCRIPTION
	00784731	--	HORIZONTAL MUFFLER KIT, (OPTIONAL)
1	00784813	1	EXHAUST DIRECTION CHANGER
2	06520068	1	MUFFLER PIPE SECTION, LOWER
3	00784816	2	MUFFLER / BAND CLAMP
4	00784815	1	ADAPTER PIPE
5	00784812	2	MUFFLER / BAND CLAMP
6	00784650	1	EXHAUST PIPE
7	00784811	1	EXHAUST FLAP / CAP
8	00784814	2	MOUNTING BAND
9	00784817	1	MOUNTING BRACKET
10	00011400	10	BOLT, HEX HEAD 3/8"-NC X 1 PL GR5
11	00011100	10	FLATWASHER, 3/8" PL STD
12	03101646	10	LOCKWASHER, 3/8 MEDIUM-ZP
13	00013901	10	NUT, HEX 3/8"-NC PL

Alamo Industrial

LIMITED WARRANTY

1. LIMITED WARRANTIES

- 1.01. Servis-Rhino warrants for one year from the purchase date to the original non-commercial, governmental, or municipal purchaser ("Purchaser") and warrants for six months to the original commercial or industrial purchaser ("Purchaser") that the goods purchased are free from defects in material or workmanship.
- 1.02. Manufacturer will replace for the Purchaser any part or parts found, upon examination at one of its factories, to be defective under normal use and service due to defects in material or workmanship.
- 1.03. This limited warranty does not apply to any part of the goods which has been subjected to improper or abnormal use, negligence, alteration, modification, or accident, damaged due to lack of maintenance or use of wrong fuel, oil, or lubricants, or which has served its normal life. This limited warranty does not apply to any part of any internal combustion engine, or expendable items such as blades, shields, guards, or pneumatic tires except as specifically found in your Operator's Manual.
- 1.04. Except as provided herein, no employee, agent, Dealer, or other person is authorized to give any warranties of any nature on behalf of Manufacturer.

2. REMEDIES AND PROCEDURES.

- 2.01. This limited warranty is not effective unless the Purchaser returns the Registration and Warranty Form to Manufacturer within 30 days of purchase.
- 2.02. Purchaser claims must be made in writing to the Authorized Dealer ("Dealer") from whom Purchaser purchased the goods or an approved Authorized Dealer ("Dealer") within 30 days after Purchaser learns of the facts on which the claim is based.
- 2.03. Purchaser is responsible for returning the goods in question to the Dealer.
- 2.04. If after examining the goods and/or parts in question, Manufacturer finds them to be defective under normal use and service due to defects in material or workmanship, Manufacturer will:
 - (a) Repair or replace the defective goods or part(s) or
 - (b) Reimburse Purchaser for the cost of the part(s) and reasonable labor charges (as determined by Manufacturer) if Purchaser paid for the repair and/or replacement prior to the final determination of applicability of the warranty by Manufacturer.The choice of remedy shall belong to Manufacturer.
- 2.05. Purchaser is responsible for any labor charges exceeding a reasonable amount as determined by Manufacturer and for returning the goods to the Dealer, whether or not the claim is approved. Purchaser is responsible for the transportation cost for the goods or part(s) from the Dealer to the designated factory.

3. LIMITATION OF LIABILITY.

- 3.01. MANUFACTURER DISCLAIMS ANY EXPRESS (EXCEPT AS SET FORTH HEREIN) AND IMPLIED WARRANTIES WITH RESPECT TO THE GOODS INCLUDING, BUT NOT LIMITED TO, MERCHANTABILITY AND FITNESS FOR A PARTICULAR PURPOSE.
- 3.02. MANUFACTURER MAKES NO WARRANTY AS TO THE DESIGN, CAPABILITY, CAPACITY, OR SUITABILITY FOR USE OF THE GOODS.
- 3.03. EXCEPT AS PROVIDED HEREIN, MANUFACTURER SHALL HAVE NO LIABILITY OR RESPONSIBILITY TO PURCHASER OR ANY OTHER PERSON OR ENTITY WITH RESPECT TO ANY LIABILITY, LOSS, OR DAMAGE CAUSED OR ALLEGED TO BE CAUSED DIRECTLY OR INDIRECTLY BY THE GOODS INCLUDING, BUT NOT LIMITED TO, ANY INDIRECT, SPECIAL, CONSEQUENTIAL, OR INCIDENTAL DAMAGES RESULTING FROM THE USE OR OPERATION OF THE GOODS OR ANY BREACH OF THIS WARRANTY. NOTWITHSTANDING THE ABOVE LIMITATIONS AND WARRANTIES, MANUFACTURER'S LIABILITY HEREUNDER FOR DAMAGES INCURRED BY PURCHASER OR OTHERS SHALL NOT EXCEED THE PRICE OF THE GOODS.
- 3.04. NO ACTION ARISING OUT OF ANY CLAIMED BREACH OF THIS WARRANTY OR TRANSACTIONS UNDER THIS WARRANTY MAY BE BROUGHT MORE THAN TWO (2) YEARS AFTER THE CAUSE OF ACTION HAS OCCURRED.

4. MISCELLANEOUS.

- 4.01. Proper Venue for any lawsuits arising from or related to this limited warranty shall be only in Guadalupe County, Texas.
- 4.02. Manufacturer may waive compliance with any of the terms of this limited warranty, but no waiver of any terms shall be deemed to be a waiver of any other term.
- 4.03. If any provision of this limited warranty shall violate any applicable law and is held to be unenforceable, then the invalidity of such provision shall not invalidate any other provisions herein.
- 4.04. Applicable law may provide rights and benefits to purchaser in addition to those provided herein.

KEEP FOR YOUR RECORDS

ATTENTION: Purchaser should fill in the blanks below for his reference when buying repair parts and/or for proper machine identification when applying for warranty.

Servis-Rhino Implement Model _____ Serial Number _____

Date Purchased _____ Dealer _____

ATTENTION:
READ YOUR OPERATOR'S MANUAL





TO THE OWNER/OPERATOR/DEALER

To keep your implement running efficiently and safely, read your manual thoroughly and follow these directions and the Safety Messages in this Manual. The Table of Contents clearly identifies each section where you can easily find the information you need.

The OCCUPATIONAL SAFETY AND HEALTH ACT (1928.51 Subpart C) makes these minimum safety requirements of tractor operators:

REQUIRED OF THE OWNER:

1. Provide a Roll-Over-Protective Structure that meets the requirements of this Standard; and
2. Provide Seatbelts that meet the requirements of this paragraph of this Standard and SAE J4C; and
3. Ensure that each employee uses such Seatbelt while the tractor is moving; and
4. Ensure that each employee tightens the Seatbelt sufficiently to confine the employee to the protected area provided by the ROPS.

REQUIRED OF THE OPERATOR

1. Securely fasten seatbelt if the tractor has a ROPS.
2. Where possible, avoid operating the tractor near ditches, embankments, and holes.
3. Reduce speed when turning, crossing slopes, and on rough, slick, or muddy surfaces.
4. Stay off slopes too steep for safe operation.
5. Watch where you are going - especially at row ends, on roads, and around trees.
6. Do not permit others to ride.
7. Operate the tractor smoothly - no jerky turns, starts, or stops.
8. Hitch only to the drawbar and hitch points recommended by the tractor manufacturer.
9. When the tractor is stopped, set brakes securely and use park lock, if available.



Keep children away from danger all day, every day...



Equip tractors with rollover protection (ROPS) and keep all machinery guards in place...



Please work, drive, play and live each day with care and concern for your safety and that of your family and fellow citizens.



G/W Snow Blower - M8000MD - (08-05)

© 2005 Alamo Industrial