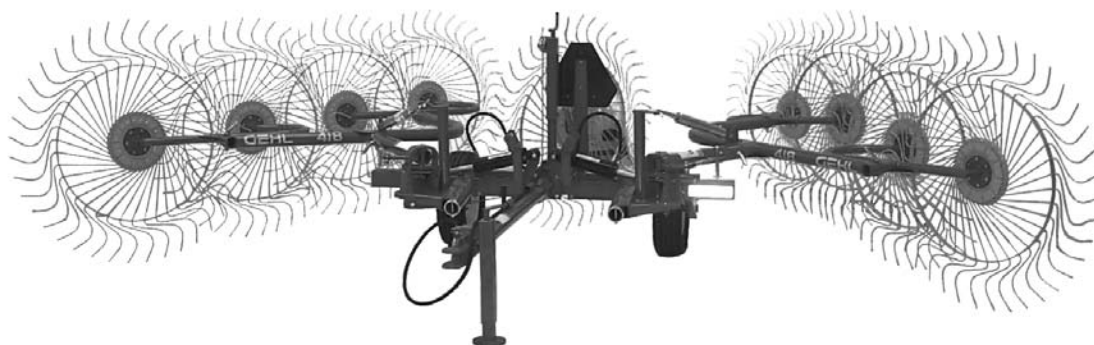


Form No.  
**909818**  
Replaces  
908132

# 418/420

## Finger Wheel V-Rakes



### PARTS MANUAL

**GEHL®** AGRICULTURE

## Introduction

When ordering service parts, specify the correct part number, full description, quantity required, the unit model number and serial number.

The model and serial number are on a decal plate located on the back side of the left side width adjustment wheel pivot frame member. “Right” and “left” are determined from a position standing behind the Finger Wheel V-Rake and facing the direction of travel.

GEHL Company reserves the right to make changes or improvements in the design or construction of any part of the unit without incurring the obligation to install such changes on any previously delivered units.

**NOTE:** *On original tire replacement, Company policy prohibits the sale of replacement tires for all GEHL machinery. Replacement wheel sets are available and tire size information is called out with the wheel sets to facilitate replacement tire selection. ALL REPLACEMENT TIRES MUST BE PURCHASED LOCALLY.*

The hardware listed is for mounting information and is NOT included with the replacement part. Refer to the following abbreviations table for fastener descriptions. Standard attaching hardware torque values are provided on the inside back cover. In the parts lists, if a number precedes the abbreviations, the number represents either the quantity required (if other than one per item) or size. Part numbers for the attaching hardware are listed at the end of the manual or after the Numerical Index.

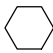

In the exploded-view parts list, Reference Numbers may have additional information following the Reference Number.

A tear drop symbol will indicate an application of a “wet” product such as oil, and the number inside the tear drop will correspond to the description in the parts list.

A number inside a hexagon will be the torque value required, in foot-pounds, on the associated Reference Number. Items shown in the parts list that do not have Reference Numbers are shown for reference purposes only and are NOT available for purchase.

Unless otherwise specified, all cap screws and bolts are Grade 5, cadmium or zinc plated; hexagon nuts for Grade 5 cap screws and bolts are Grade B; hexagon nuts for other screws and bolts are Grade A.

**NOTE:** *The following abbreviations may be used herein:*

AR	- As Required
ASSD	- Assembled
ASSY	- Assembly
BHCS	- Button Head Cap Screw
CB	- Carriage Bolt
CCW	- Counterclockwise
CP	- Cotter Pin
CS	- Cap Screw (Hexagon Head)
CTR	- Center
CW	- Clockwise
DEG	- Degree
DIA	- Diameter
FCS	- Flanged Cap Screw
FHMS	- Flat Head Machine Screw
FL	- Flanged
FLN	- Flanged Lock Nut (Hexagon)
FLS	- Flanged Lock Screw (Hexagon)
FW	- Flat Washer
GA	- Gauge
GR	- Grade
HD	- Hard or Head
HN	- Hex Nut
INCL	- Includes
JT	- Joint
LG	- Large
LN	- Lock Nut
LT	- Left
LW	- Lock Washer
M	- Metric
MM/mm	- Millimeter
NF	- National Fine
PB	- Plow Bolt
PTO	- Power Take Off
RHMS	- Round Head Machine Screw
RPM	- Revolutions Per Minute
RT	- Right
SERR	- Serrated
SHCS	- Socket Head Cap Screw
SHSS	- Socket Head Set Screw
SN	- Serial Number or Slotted Nut
SQ	- Square
T	- Tooth or Teeth
TFS	- Thread Forming Screw
THMS	- Truss Head Machine Screw
THRD	- Thread
WLDMT	- Weldment
#	- Number
	- Torque Required in foot-pounds
	- Indicates a Fluid Application

# TABLE OF CONTENTS

Introduction .....	Inside Front Cover
Table of Contents .....	1
Decal Locations .....	2-3
Main Frame & Drawbar .....	4-9
Finger Wheel Arms .....	10-11
Hydraulics .....	12-13
Finger Wheels & Hubs .....	14
Hitchjack .....	15
Options & Accessories .....	16-18
Center Wheel .....	16-17
Safety Chain .....	18
Alphabetical Index .....	19
Numerical Index .....	20-21
Notes .....	22-24
Standard Hardware Torque specifications .....	Inside Back Cover

# DECAL LOCATIONS

## GENERAL INFORMATION

Decal location information is provided to assist in the proper selection and application of new decals, in the event the original decals become damaged or the machine is repainted. Refer to the listing for the illustration reference number, part number, description and quantity of each decal provided in the kit. Refer to the illustrations for replacement locations.

**NOTE:** Refer to the *SAFETY* chapter of the *Operator's Manual* for the specific information provided on the various safety decals furnished in the decal kit.

To ensure proper selection for correct replacement decals, compare all of the various close-up location drawings to your machine **BEFORE** starting to refinish the unit. Then circle each pictured decal (applicable to your machine) while checking off its part number in the listing. After you have verified all the decals needed for replacement, set aside unneeded decals for disposal.

## NEW DECAL APPLICATION

Surfaces **MUST** be free from dirt, dust, grease and other foreign material before applying the new decal. To apply a solid-formed decal, remove the smaller portion of the decal backing paper and apply this part of the exposed adhesive backing to the clean surface while maintaining proper position and alignment. Slowly peel off the other portion of the backing paper while applying hand pressure to smooth out the decal surface.



## CAUTION

**ALWAYS** observe safety precautions shown on decals. If decals become damaged or if the unit is repainted, replace the decals. If repainting, **BE SURE** to affix **ALL** decals from the kit(s) that apply to your machine.

### PAINT NOTICE

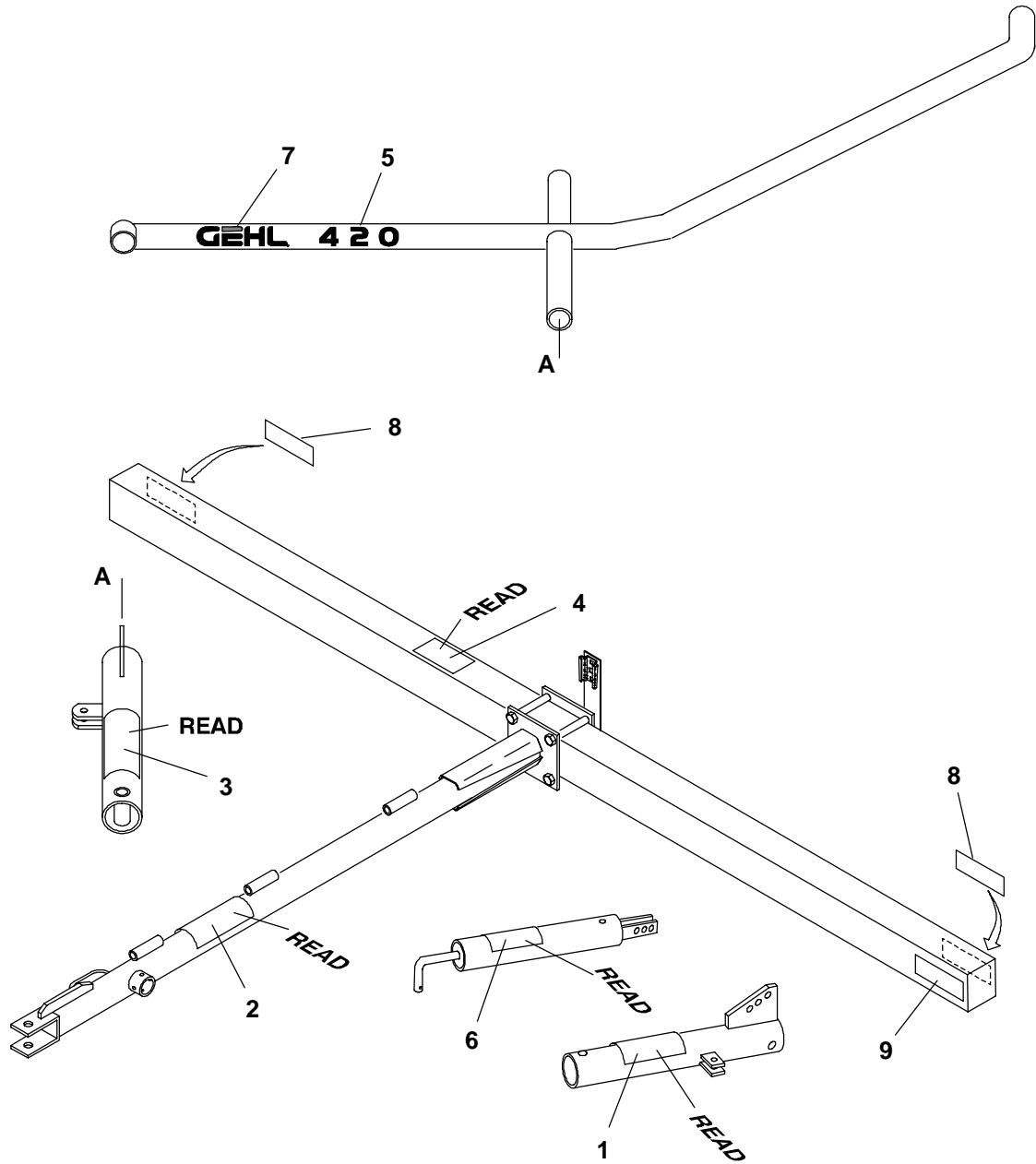
Use this list to order paint for refinishing machines with agricultural red and grey color scheme:

906315	One Gal. AG Red
902872	One Qt. Light Grey
906316	6 (12 oz. Spray Cans) AG Red
902874	6 (12 oz. Spray Cans) Light Grey

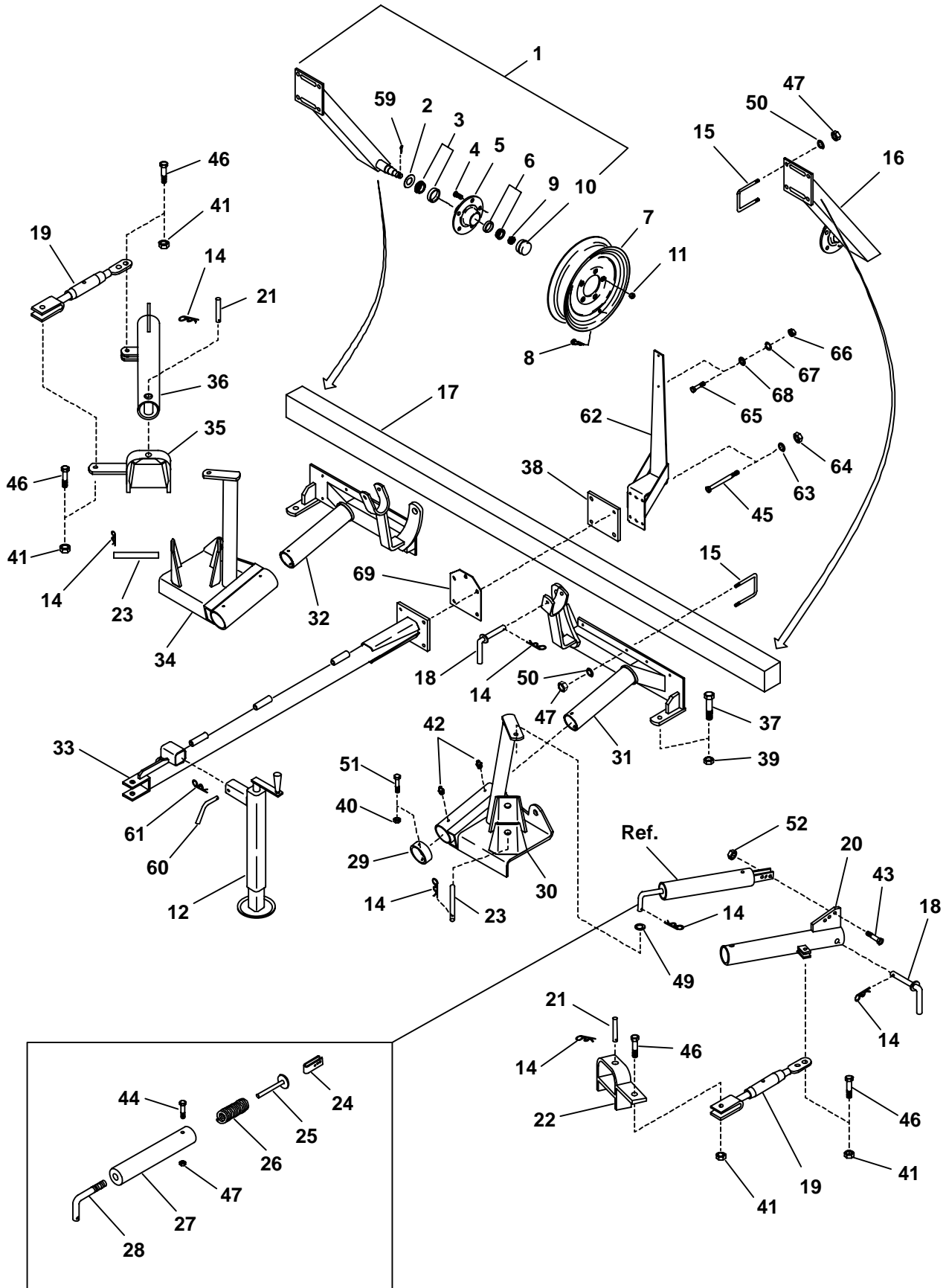
The decal kit part number for the 418 and 420 Finger Wheel V-Rakes is 130436.

The kit includes the following:

Ref. No.	Part No.	Description & Quantity
1	093202	DANGER - Avoid Electrocution
2	093367	WARNING - Operator's Responsibility & Read Manual
3	093373	WARNING -General Safety
4	093642	WARNING - Install Transport Latch
5	119408	418 - Model 418 Only (2 Places) (Later Style - Grey)
	119409	420 - Model 420 Only (2 Places) (Later Style - Grey)
6	120429	WARNING - Flotation (2 Places)
7	126345	GEHL (2 Places) (Later Style - Grey)
8	145216	Reflector Strip (2 Places)
9	145217	Amber Reflector Strip



**418/420 - MAIN FRAME & DRAWBAR  
(AFTER SN15900-418 & SN16300-420)**



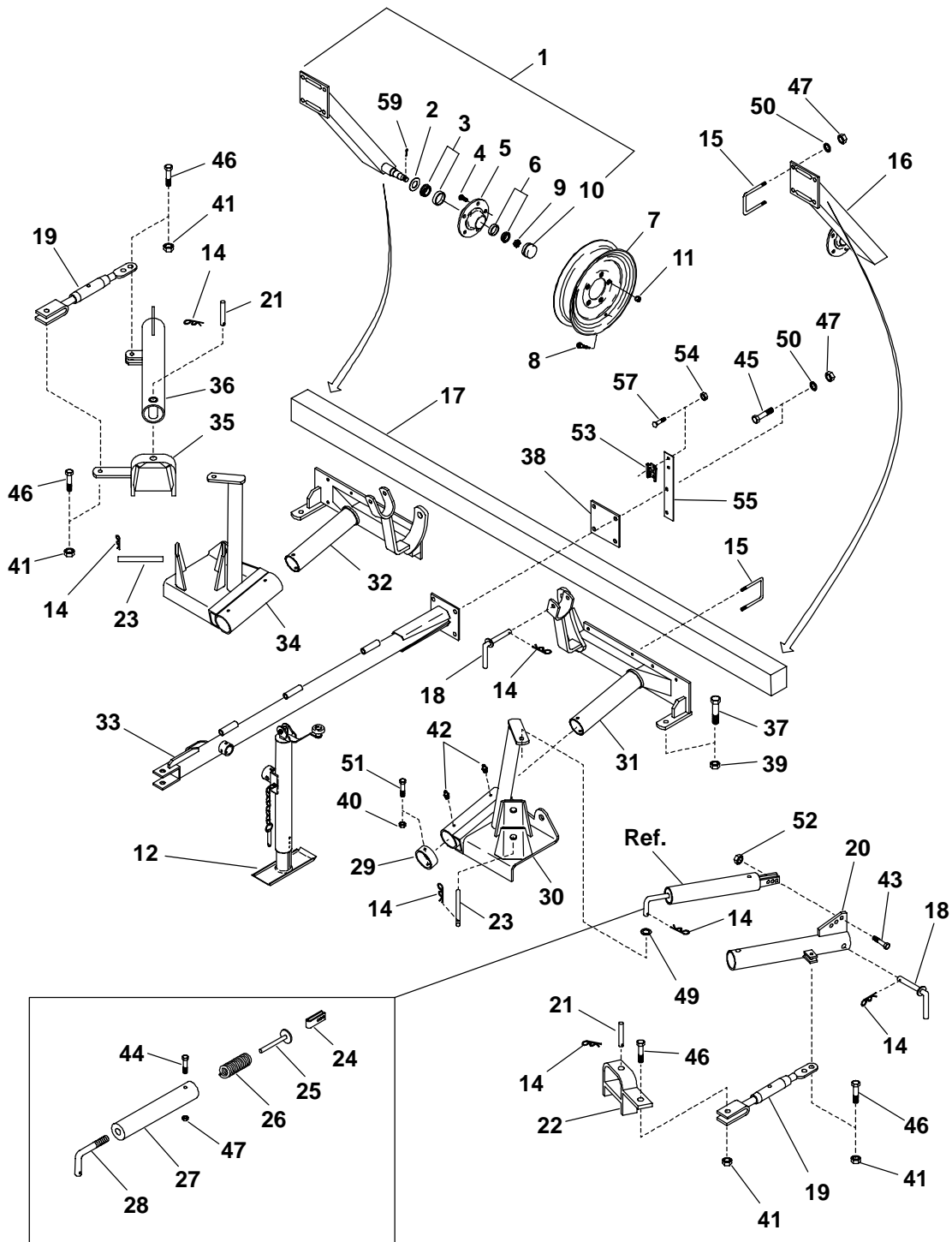
## 418/420 - MAIN FRAME & DRAWBAR (AFTER SN15900-418 & SN16300-420)

Ref. No.	Part No.	Description	Qty. Req.	Ref. No.	Part No.	Description	Qty. Req.
1	144785	AXLE/ASSY RT (AFTER SN13500-418 & SN14300-420)	1	32	614013	HEAD/FIXED RT	1
				33	170061	DRAWBAR	1
2	613271	WASHER/SPINDLE	2	34	614015	HEAD/MOVEABLE RT	1
3	612996	BEARING/TAPERED ROLLER	2	35	614011	SUPPORT/ARM RT	1
4	613067	BOLT/HUB 16X40	10	36	613574	ARM/RT	1
5	145060	HUB/WHEEL 104113	2	37	656040	CS M20X70 (STOP BOLT ASSY)	2
6	114288	BEARING/TAPERED ROLLER	2				
7	614031	WHEEL 175/70X14	2	38	170062	PLATE	1
	613567	WHEEL 185/70X13	2	39	656068	NUT/HEX JAM M20-2.50	2
8	045582	VALVE/TIRE	2	40	071246	NILN M10	2
9	613272	NUT/SPINDLE	2	41	071249	NILN M16	4
10	612997	CAP/HUB	2	42	613021	FITTING/GREASE	4
11	613049	NUT/CONICAL LUG 16MM	10	43	656017	CS M12X35	2
12	173035 <sub>a</sub>	JACK ASS'Y 2000 LB BULLDOG	1	44	656021	CS M12X70	2
	170056 <sub>a</sub>	JACK/ASSY TONNUTI	1	45	170075	HHCS 14MM X 160MM	4
14	076099	COTTER/HAIR PIN	11	46	656036	CS M16X55	4
15	613569	U-BOLT M12X102	12	47	656050	HN M12-1.75	30
16	144784	AXLE/ASSY LT (AFTER SN13500-418 & SN14300-420)	1	49	656119	FW M16	2
				50	656120	FW M12	24
17	613579 <sub>b</sub>	FRAME/MAIN	1	51	656162	CS M10X100	2
18	613638	PIN	2	52	113304	LN M12	2
19	613939	TURNBUCKLE M16	2	59	656075	CP M6X40	2
20	613586	ARM/LT	1	60	170060	PIN	1
21	613572	PIVOT/VERTICAL ARM	2	61	076100	COTTER/HAIR PIN	1
22	614012	SUPPORT/ARM LT	1	62	159290	BRACKET/SMV	1
23	613571	PIVOT/HORIZONTAL ARM	2	63	656138	LW M14	4
24	613936	BRACKET	2	64	656051	HN M14-2.0	4
25	613573	ROD/ABSORBING	2	65	650835	CS 1/4X1	2
26	613568	SPRING/COMPRESSION	2	66	653005	HN 1/4	2
27	613937	GUIDE/SHOCK ABSORBER	2	67	654022	LW 1/4	2
28	613640	BOLT/HOOK M16 (2 FW)	2	68	654002	FW 1/4	2
29	613585	RING	2	69	159223	PLATE	1
30	614016	HEAD/MOVEABLE LT	1				
31	614014	HEAD/FIXED LT	1				

a) For component breakdown, see page entitled 'Hitchjack'.

b) For repair, add Amber Reflector Strip 145217, two Red Reflectors 145216 and Warning Decal 093642.

**418/420 - MAIN FRAME & DRAWBAR  
(BEFORE SN15901-418 & SN16301-420)**





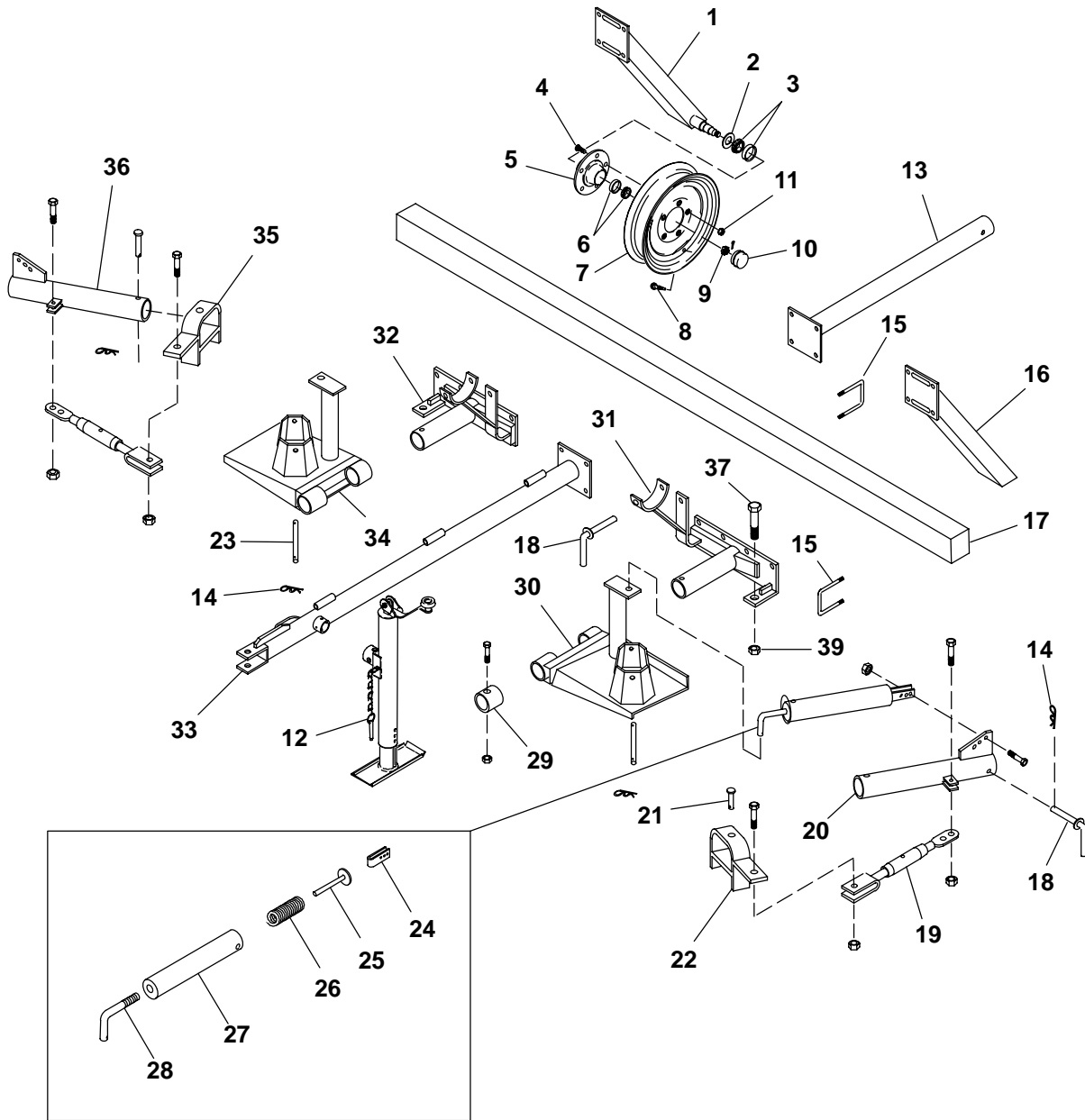
## 418/420 - MAIN FRAME & DRAWBAR (BEFORE SN15901-418 & SN16301-420)

Ref. No.	Part No.	Description	Qty. Req.	Ref. No.	Part No.	Description	Qty. Req.
1	144785	AXLE/ASSY RT (AFTER SN13500-418 & SN14300-420)	1	31	614014	HEAD/FIXED LT	1
				32	614013	HEAD/FIXED RT	1
2	613271	WASHER/SPINDLE	2	33	144786	DRAWBAR (AFTER SN14000-418 & SN14600-420)	1
3	612996	BEARING/TAPERED ROLLER	2				
4	613067	BOLT/HUB 16X40	10	34	614015	HEAD/MOVEABLE RT	1
5	145060	HUB/WHEEL 104113	2	35	614011	SUPPORT/ARM RT	1
6	114288	BEARING/TAPERED ROLLER	2	36	613574	ARM/RT	1
7	614031	WHEEL 175/70X14	2	37	656040	CS M20X70 (STOP BOLT ASSY)	2
	613567	WHEEL 185/70X13	2				
8	045582	VALVE/TIRE	2	38	144787	PLATE/DRAWBAR MOUNT (AFTER SN14000-418 & SN14600-420)	1
9	613272	NUT/SPINDLE	2				
10	612997	CAP/HUB	2	39	656068	NUT/HEX JAM M20-2.50	2
11	613049	NUT/CONICAL LUG 16MM	10	40	071246	NILN M10	2
12	143469 <sub>a</sub>	JACK/ASSY FULTON	1	41	071249	NILN M16	4
14	076099	COTTER/HAIR PIN	11	42	613021	FITTING/GREASE	4
15	613569	U-BOLT M12X102	12	43	656017	CS M12X35	2
16	144784	AXLE/ASSY LT (AFTER SN13500-418 & SN14300-420)	1	44	656021	CS M12X70	2
				45	656026	CS M12X140	4
17	613579 <sub>b</sub>	FRAME/MAIN	1	46	656036	CS M16X55	4
18	613638	PIN	2	47	656050	HN M12-1.75	30
19	613939	TURNBUCKLE M16	2	49	656119	FW M16	2
20	613586	ARM/LT	1	50	656120	FW M12	28
21	613572	PIVOT/VERTICAL ARM	2	51	656162	CS M10X100	2
22	614012	SUPPORT/ARM LT	1	52	113304	LN M12	2
23	613571	PIVOT/HORIZONTAL ARM	2	53	047269	SOCKET/SIGN MOUNTING	1
24	613936	BRACKET	2	54	071701	LN 5/16	2
25	613573	ROD/ABSORBING	2	55	130422	BRACKET/SMV	1
26	613568	SPRING/COMPRESSION	2	57	650687	CB 5/16X3/4	2
27	613937	GUIDE/SHOCK ABSORBER	2	59	656075	CP M6X40	2
28	613640	BOLT/HOOK M16 (2 FW)	2				
29	613585	RING	2				
30	614016	HEAD/MOVEABLE LT	1				

a) For component breakdown, see page entitled 'Hitchjack'.

b) For repair, add Amber Reflector Strip 145217, two Red Reflectors 145216 and Warning Decal 093642.

# 418/420 - MAIN FRAME & DRAWBAR (EARLY STYLE)



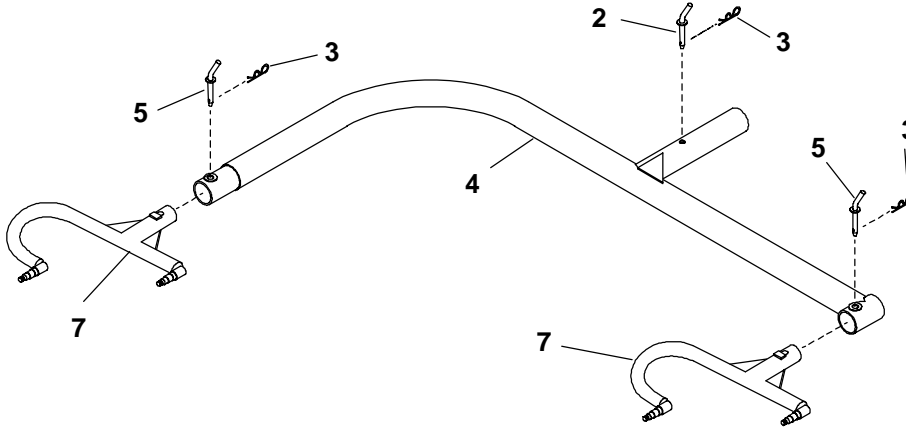
## 418/420 - MAIN FRAME & DRAWBAR (EARLY STYLE)

Ref. No.	Part No.	Description	Qty. Req.	Ref. No.	Part No.	Description	Qty. Req.
1	613582	ARM/WHEEL RT . . . . .	1	21	613572	PIVOT/VERTICAL ARM . . . . .	2
		(BEFORE SN13501-418 & SN14301-420)		22	614012	SUPPORT/ARM LT . . . . .	1
2	613271	WASHER/SPINDLE . . . . .	2	23	613571	PIVOT/HORIZONTAL ARM . . . . .	2
3	612996	BEARING/TAPERED ROLLER . . . . .	2	24	613936	BRACKET . . . . .	2
4	613067	BOLT/HUB 16X40 . . . . .	10		656021	CS M12X80 (LN) . . . . .	2
5	145060	HUB/WHEEL 104113 . . . . .	2	25	613573	ROD/ABSORBING . . . . .	2
6	114288	BEARING/TAPERED ROLLER . . . . .	2	26	613568	SPRING/COMPRESSION . . . . .	2
7	614031	WHEEL 175/70X14 . . . . .	2	27	613937	GUIDE/SHOCK ABSORBER . . . . .	2
8	045582	VALVE/TIRE . . . . .	2	28	613640	BOLT/HOOK M16 (2 FW) . . . . .	2
9	613272	NUT/SPINDLE . . . . .	2	29	613585	RING . . . . .	2
	656075	CP M6.3X40 . . . . .	2		656162	CS M10X100 (LN) . . . . .	2
10	612997	CAP/HUB . . . . .	2	30	614016	HEAD/MOVEABLE LT . . . . .	1
11	613049	NUT/CONICAL LUG 16MM . . . . .	10	31	614014	HEAD/FIXED LT . . . . .	1
12	143469 <sub>a</sub>	JACK/ASSY (FULTON) . . . . .	1	32	614013	HEAD/FIXED LT. . . . .	1
13	130414	STAND/ASSY . . . . .	1	33	144786	DRAWBAR . . . . .	1
		(BEFORE SN14001-418 & SN14601-420)			656026	CS M12X140 (HN, FW) . . . . .	4
14	076099	COTTER/HAIR PIN . . . . .	11	34	614015	HEAD/MOVEABLE RT . . . . .	1
15	613569	U-BOLT M12X102 . . . . .	12	35	614011	SUPPORT/ARM RT . . . . .	1
		(24) HN, FW		36	613574	ARM/RT . . . . .	1
16	613583	ARM/WHEEL LT . . . . .	1		656017	CS M12X35 (HN) . . . . .	1
		(BEFORE SN13501-418 & SN14301-420)		37	656040	CS M20X70 . . . . .	2
17	613579 <sub>b</sub>	FRAME/MAIN . . . . .	1			(STOP BOLT ASSY)	
18	613638	PIN . . . . .	2	39	656068	NUT/HEX JAM M20-2.50 . . . . .	2
19	613939	TURNBUCKLE M16 . . . . .	2				
	656036	CS M16X50 (LN) . . . . .	4				
20	613586	ARM/LT . . . . .	1				
	656017	CS M12X35 (HN) . . . . .	1				

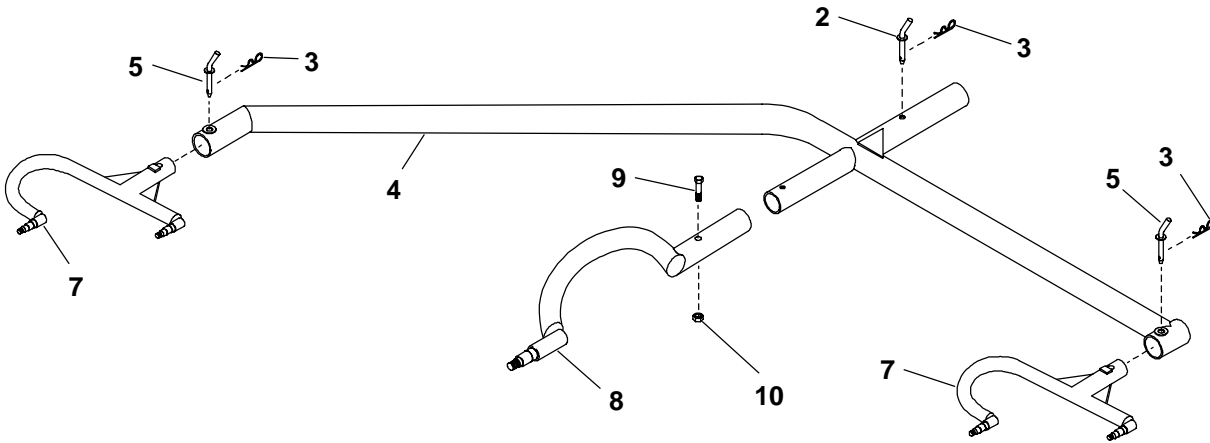
a) For component breakdown, see page entitled 'Hitchjack'.  
b) For repair, add Amber Reflector Strip 145217, two Red Reflectors 145216 and Warning Decal 093642.

# 418/420 - FINGER WHEEL ARMS (LATER STYLE)

**Model 418**

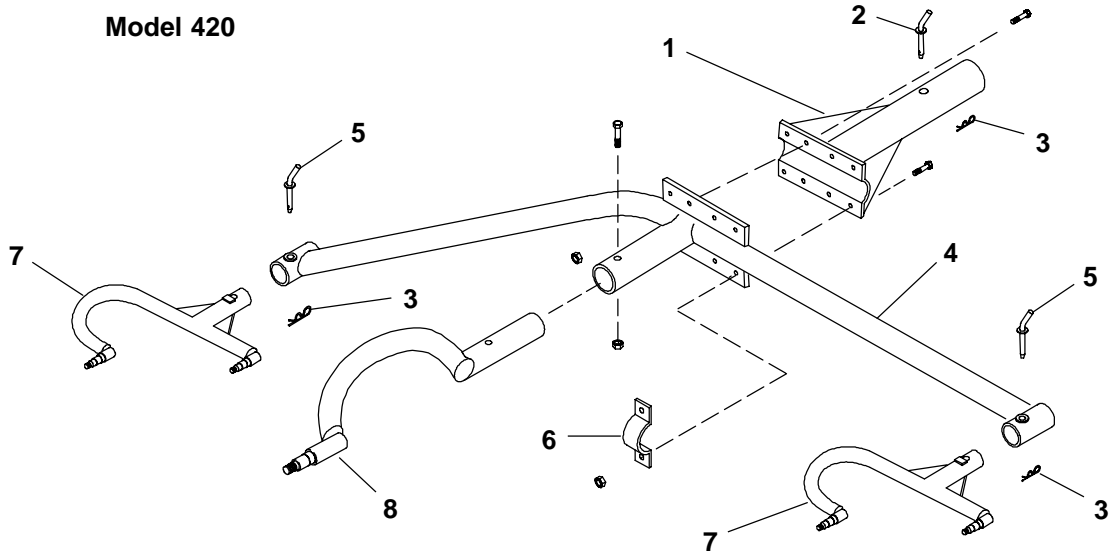
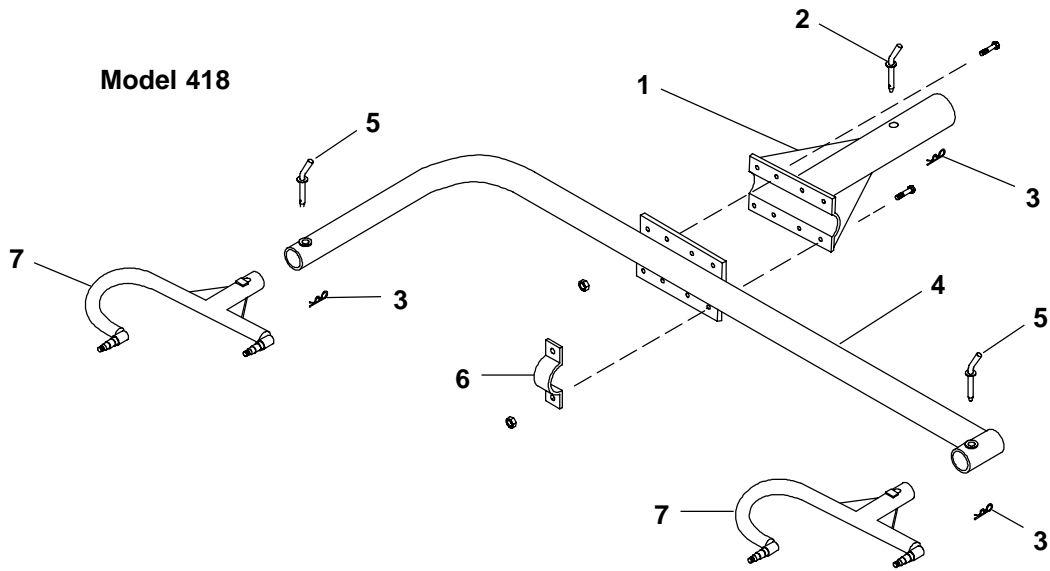


**Model 420**



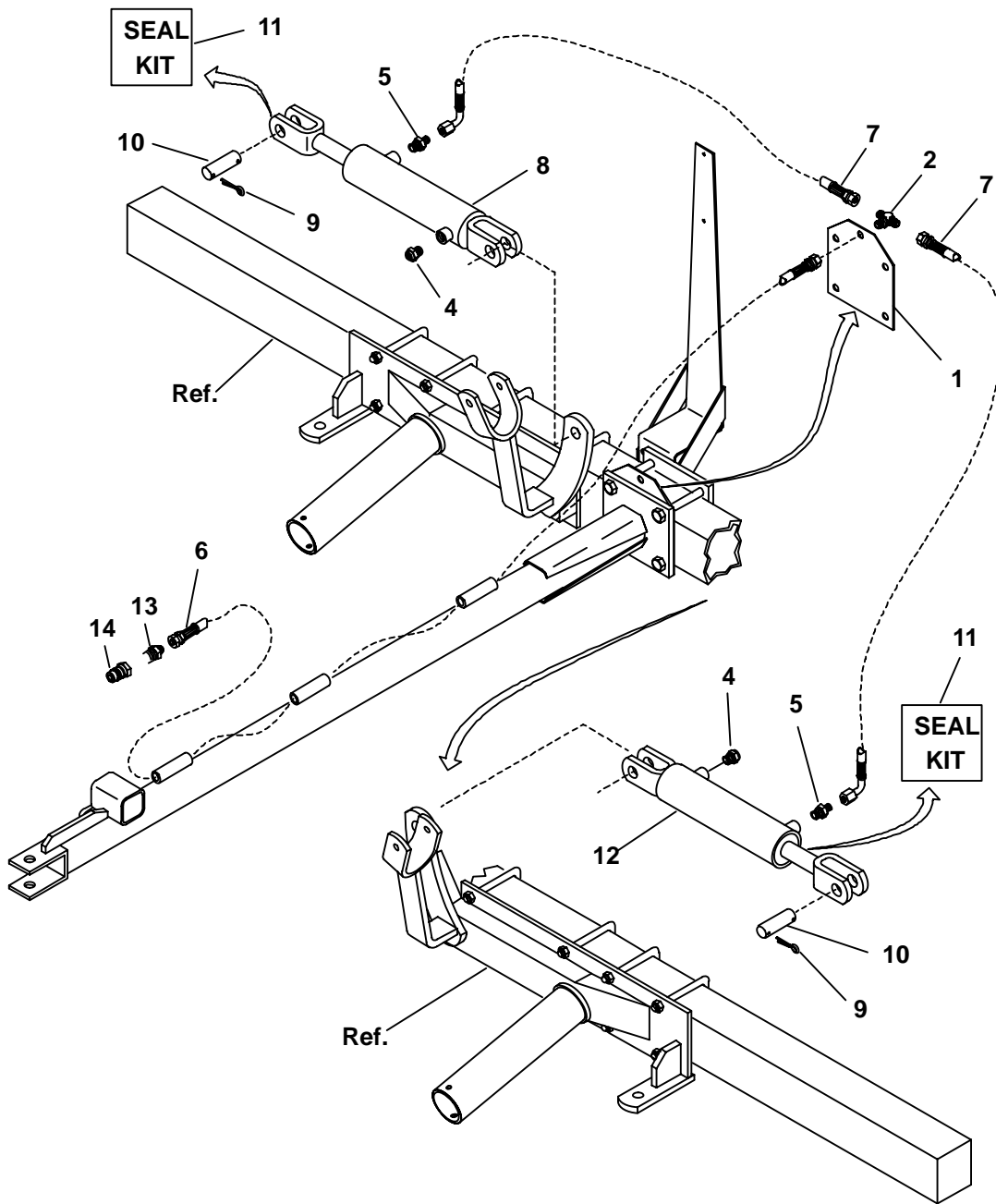
Ref. No.	Part No.	Description	Qty. Req.	Ref. No.	Part No.	Description	Qty. Req.
2	613638	LOCK PIN (LONG)	2	7	613600	ARM/WHEEL	4
3	076099	COTTER/HAIR PIN	6	8	612986	ARM/5TH RAKE WHEEL (420 ONLY)	2
4	156720	FRAME/4-WHEEL (418)	2	9	656022	CS M12X90 (420 ONLY)	2
	156719	FRAME/5-WHEEL (420)	2	10	113304	LN M12 (420 ONLY)	2
5	613639	LOCK PIN (SHORT)	4				

# 418/420 - FINGER WHEEL ARMS (EARLY STYLE)



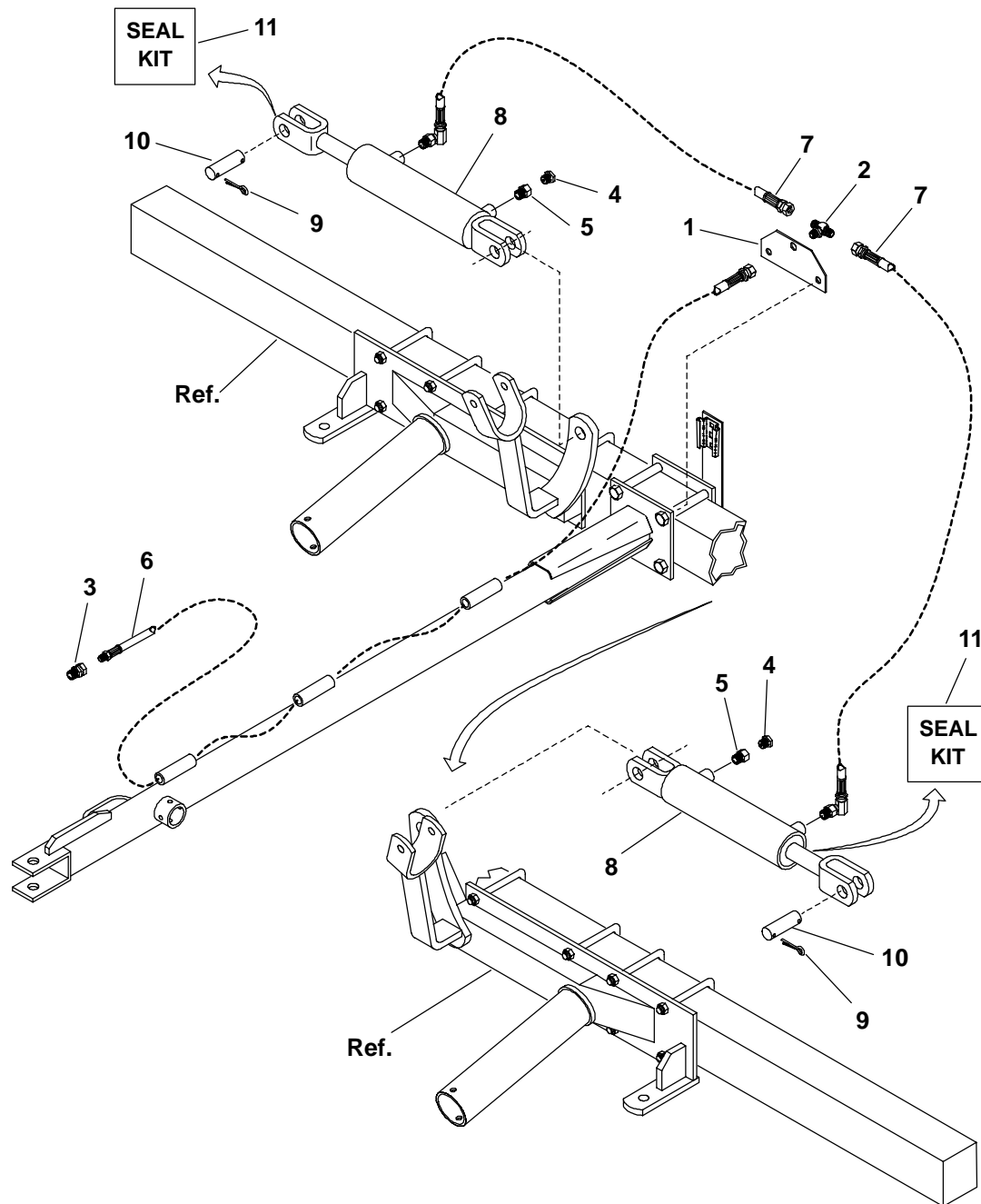
Ref. No.	Part No.	Description	Qty. Req.	Ref. No.	Part No.	Description	Qty. Req.
1	613598	SUPPORT/FRAME .....	2	5	613639	PIN/LOCK (SHORT) .....	4
2	613638	PIN/LOCK (LONG) .....	2	6	612776	BRACKET/SUPPORT FRAME .....	4
3	076099	COTTER/HAIR PIN .....	6		656009	CS M10X35 (LN) .....	8
4	613587	FRAME/4-WHEEL (418) .....	2	7	613600	ARM/WHEEL .....	4
	613588	FRAME/5-WHEEL (420) .....	2	8	612986	ARM/5TH RAKE WHEEL (420 ONLY) ...	2
	656007	CS M10X25 (LN) .....	8		656022	CS M12X90 (LN) .....	2

# 418/420 - HYDRAULICS (AFTER 15900-418 & SN16300-420)



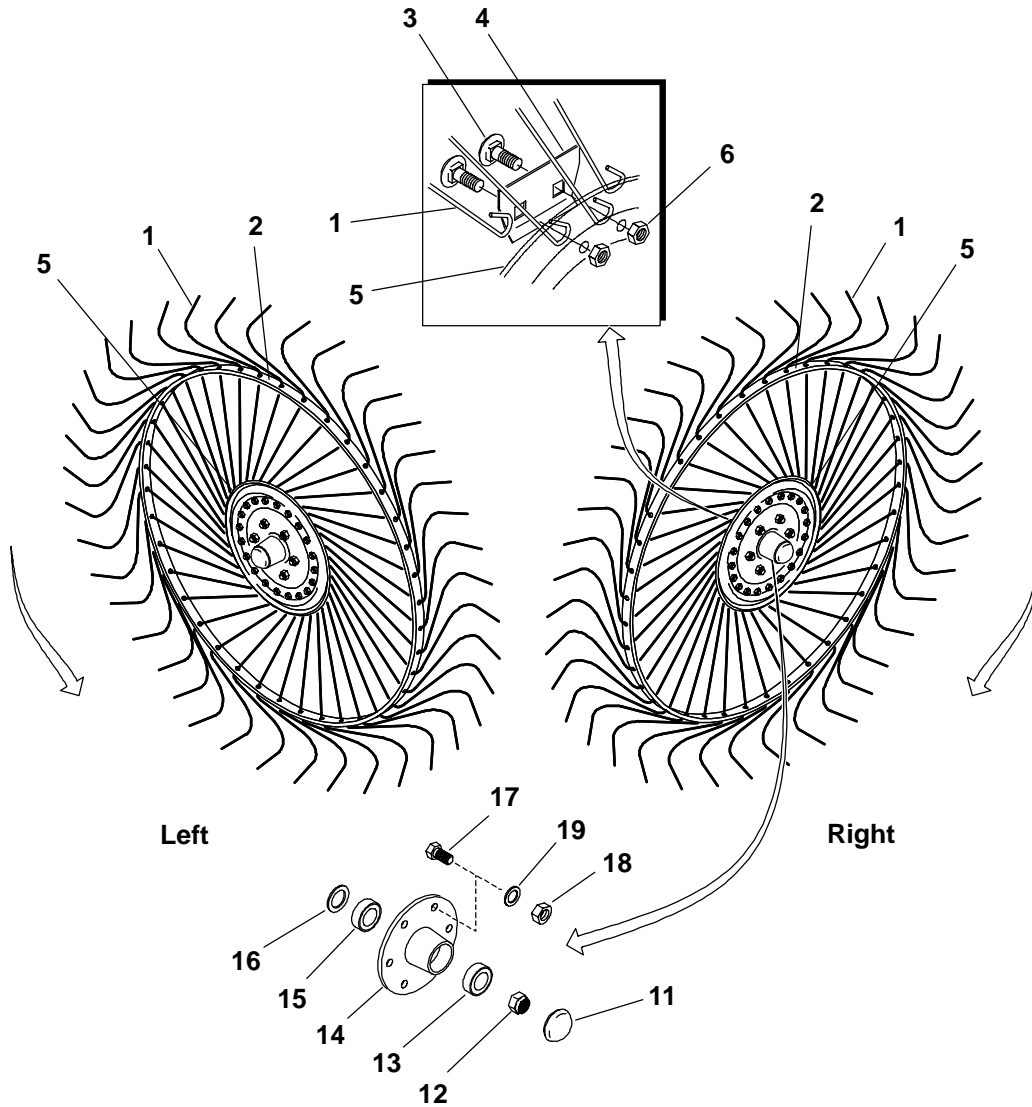
Ref. No.	Part No.	Description	Qty. Req.	Ref. No.	Part No.	Description	Qty. Req.
1	159223	BRACKET .....	1	9	112180	PIN/CLINCH .....	8
2	087393	TEE/HYDRAULIC FITTING .....	1	10	083232	PIN/CLEVIS .....	4
4	170066	BREATHER/ASSY .....	2	11	170331	KIT/SEAL HYD. CYL. 2.5 DIA. ....	1
5	170063	RESTRICTOR .....	2	12	170065	CYL./HYDR. LT 2.5 x 8 .....	1
6	119575	HOSE/ASSY 3/8X126 .....	1	13	054995	ADAPTER/MALE .....	1
7	136112	HOSE/ASSY 3/8X36 .....	2	14	170323	FAST FLUID CONNECTOR .....	1
8	170064	CYL./HYDR. RT 2.5 x 8 .....	1				

# 418/420 - HYDRAULICS (BEFORE 15901-418 & SN16301-420)



Ref. No.	Part No.	Description	Qty. Req.	Ref. No.	Part No.	Description	Qty. Req.
1	130421	BRACKET .....	1	8	095009	CYLINDER 2.5 X 8 (LATER STYLE) ....	2
2	098691	TEE/HYDRAULIC FITTING .....	1		130411	CYLINDER/ASY 2 X 8 (EARLY STYLE) .	2
3	130424	UNION/HYDRAULIC FITTING .....	1	9	112180	PIN/CLINCH .....	8
		(RESTRICTOR)		10	112181	PIN/CLEVIS .....	4
4	089860	BREATHER/ASSY .....	2	11	141672	KIT/SEAL 2.0 CYL (LATER STYLE) ....	1
5	098333	UNION/HYDRAULIC FITTING .....	2		095019	KIT/SEAL 2.5 CYL (EARLY STYLE) ....	1
6	130430	HOSE/ASSY 3/8X120 .....	1				
7	130431	HOSE/ASSY 3/8X36 .....	2				

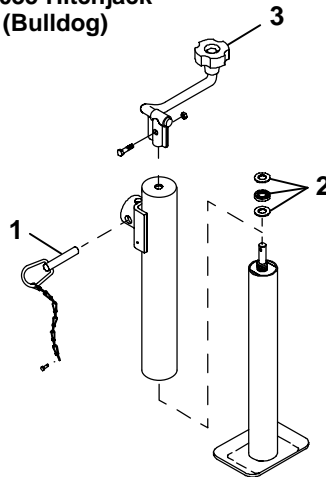
# 418/420 - FINGER WHEELS & HUBS



Ref. No.	Part No.	Description	Qty. Req.	Ref. No.	Part No.	Description	Qty. Req.
	171183	RAKE WHEEL COMP. L.H. 7MM GREY AR		11	612788	CAP/HUB .....	1
	171182	RAKE WHEEL COMP. R.H. 7MM GREY AR		12	656134	NUT/SELF LOCKING M18 .....	1
		CONSISTS OF:		13	520074	BEARING/BALL (OUTER) .....	1
1	171180	TINES (40 PACK) BUNDLE .....	1	14	612787	HUB ONLY .....	1
		STRGT.DIM.7 GREY		15	062367	BEARING/BALL (INNER) .....	1
2	612781	RIM .....	1	16	612786	SHIELD/BEARING .....	1
3	612785	BOLT/TOOTH .....	20	17	656007	CS M10X25 .....	6
4	612784	CLIP .....	10	18	656049	HN M10 .....	6
5	612782	PLATE/TINE .....	1	19	656133	FW M10 .....	6
6	656049	HN M10-1.25 .....	20				

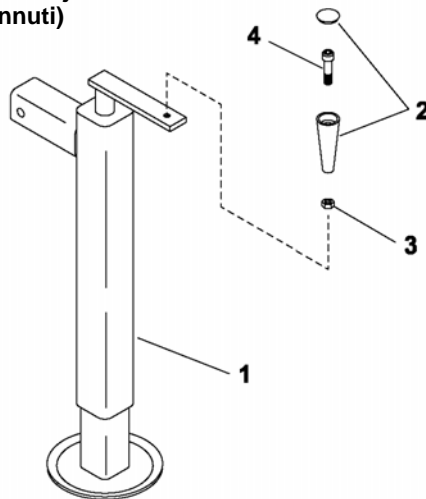


173035 Hitchjack  
(Bulldog)



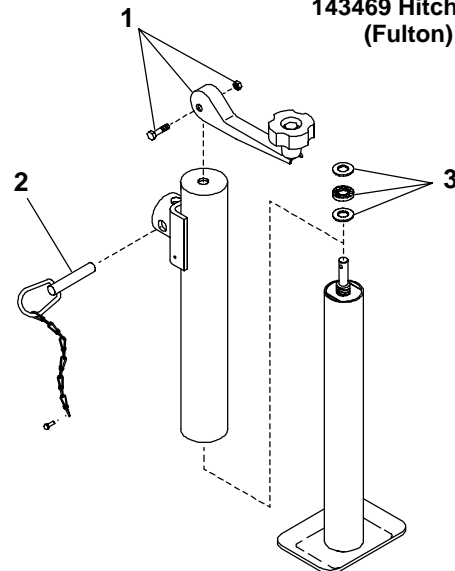
Ref. No.	Part No.	Description	Qty. Req.
	173035	JACK ASS'Y 2000 LB .....	1
		CONSISTS OF:	
1	173036	KIT/PIN & CHAIN .....	1
2	173037	KIT/STD. BRG. REPLACEMENT ...	1
3	173039	KIT/TW CRANK REPLACEMENT ..	1

170056 Hitchjack  
(Tonnuti)



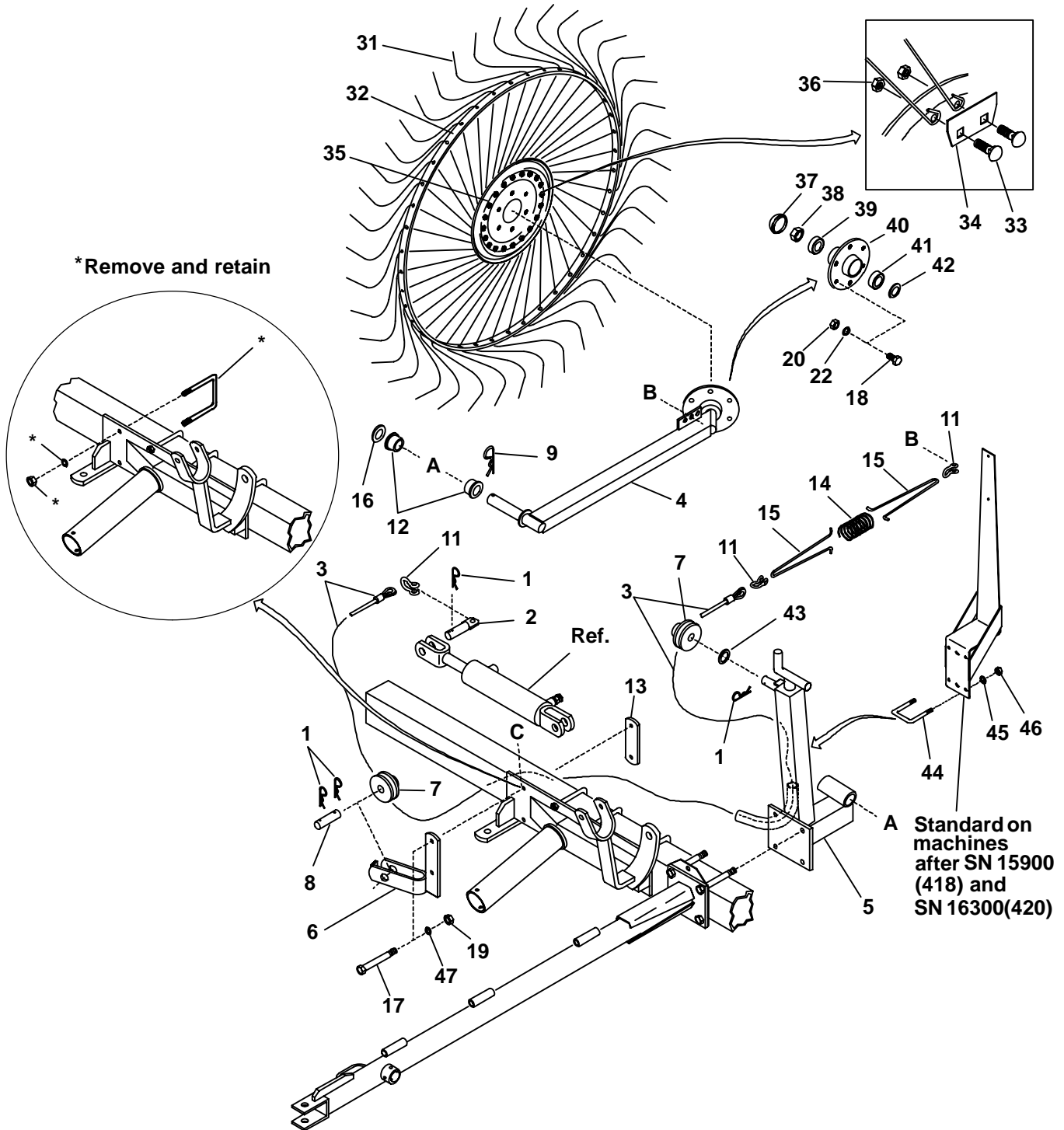
Ref. No.	Part No.	Description	Qty. Req.
	170056	HITCHJACK .....	1
		CONSISTS OF:	
1	170058	JACKSTAND .....	1
2	613096	HANDLE/ADJUSTING .....	1
3	656065	JN M12-1.75 .....	1
4	656144	CS M12-1.75X110 .....	1

143469 Hitchjack  
(Fulton)



Ref. No.	Part No.	Description	Qty. Req.
	143469	HITCHJACK .....	1
		CONSISTS OF:	
1	143603	KIT/JACK HANDLE .....	1
2	143601	KIT/PIN & CHAIN 9/16 .....	1
3	143599	KIT/BEARING 2000# .....	1

Center Wheel

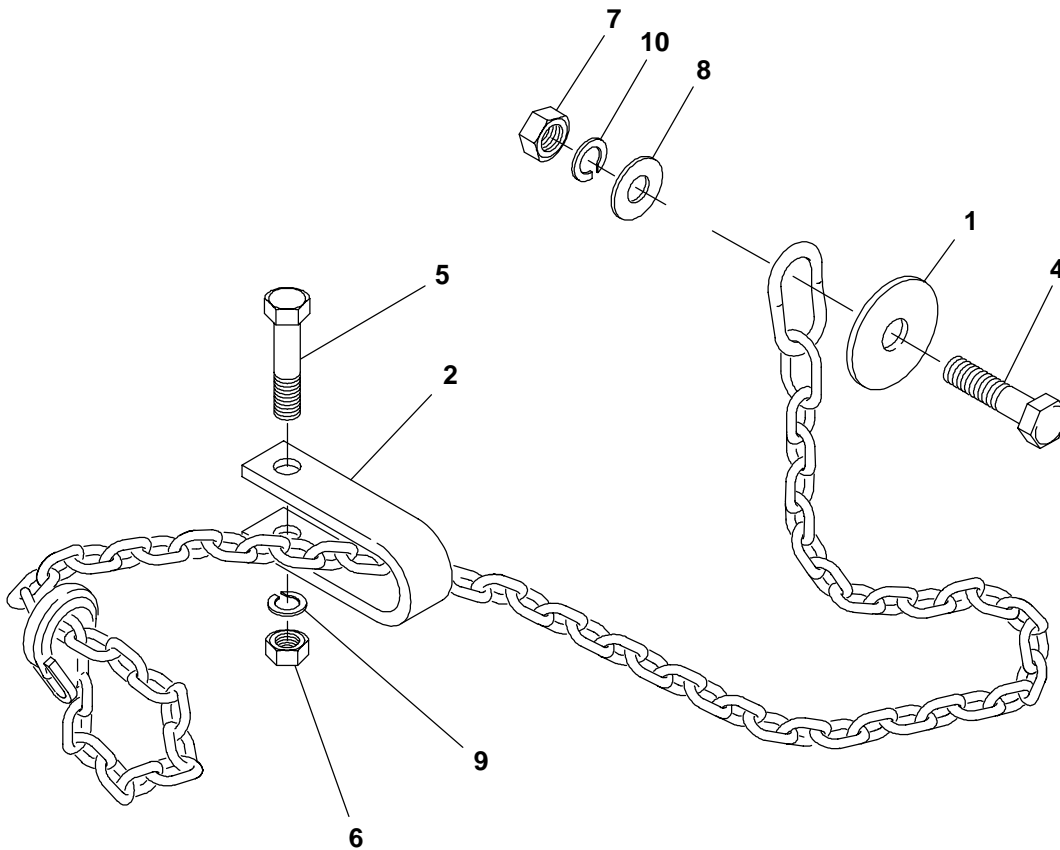


## 418/420 - OPTIONS & ACCESSORIES

Ref. No.	Part No.	Description	Qty. Req.	Ref. No.	Part No.	Description	Qty. Req.
		CENTER WHEEL .....	1	22	656133	FW M10 .....	6
		CONSISTS OF:		31	171180	TINES (40 PACK) BUNDLE .....	1
1	076099	COTTER/HAIR PIN .....	4	32	612781	RIM .....	1
2	144549	PIVOT/PULLEY .....	1	33	612785	BOLT/TOOTH .....	20
3	156763	ROPE/WIRE .....	1	34	612784	CLIP .....	10
4	156764	ARM/RAKE WHEEL .....	1	35	612782	PLATE/TINE .....	1
5	156765	SUPPORT/ARM .....	1	36	656049	HN M10-1.25 .....	20
6	156766	BRACKET/PULLEY .....	1	37	612788	CAP/HUB .....	1
7	156767	PULLEY .....	2	38	656134	NUT/SELF LOCKING M18 .....	1
8	156768	PIN .....	1	39	520074	BEARING/BALL .....	1
9	604629	PIN/COTTER HAIR .....	1	40	612787	HUB ONLY .....	1
11	613001	SHACKLE .....	3	41	062367	BEARING/BALL .....	1
12	613046	BUSHING/PIVOT .....	2	42	612786	SHIELD/BEARING .....	1
13	613621	BRACKET .....	1	43	654016	FW 1 .....	1
14	614056	SPRING/COMPRESSION .....	1	44	173622	U-BOLT .....	1
15	614057	HOOK/SPRING .....	2			(AFTER SN 15900-418 & 16300-420)	
16	651152	FW 1-1/4 .....	1	45	656103	WASHER .....	2
17	651522	CS M12-1.75X150 .....	2			(AFTER SN 15900-418 & 16300-420)	
18	656007	CS M10X25 .....	6	46	656049	NUT .....	2
19	656050	NUT/HEX M12-1.7 .....	2			(AFTER SN 15900-418 & 16300-420)	
20	656102	HN M10-1.50 .....	6	47	656120	FW M12 ZO .....	1

# 418/420 - OPTIONS & ACCESSORIES

## 142965 Safety Chain



Ref. No.	Part No.	Description	Qty. Req.	Ref. No.	Part No.	Description	Qty. Req.
	142965	CHAIN/5 TON SAFETY	1	5	650695	CS 5/8X3-1/2	1
		CONSISTS OF:		6	653021	HN 5/8	1
1	069076	FW 25/32 SPECIAL	1	7	653026	HN 3/4	1
2	080894	CLEVIS	1	8	654014	FW 3/4	1
4	650172	CS 3/4X3-1/4	1	9	654032	LW 5/8	1
	650649	CS 3/4X2	1	10	654034	LW 3/4	1

# Index

## A

Arm, Finger Wheel, 10, 11  
Axle, Wheel, 5, 7

## B

Bearings  
Finger Wheel Hubs, 14, 17  
Wheel, 5, 7, 9

## C

Center Wheel, 16–17  
Cylinder, 12, 13

## D

Decals  
Application, 2  
Locations, 2–3  
Drawbar, 4–7

## F

Finger Wheel Arms, 10–11  
Finger Wheel Hubs, 14  
Finger Wheels, 14  
Frame  
Arm Support, 11  
Finger Wheel, 10, 11

## H

Head (Moveable or Fixed), 5, 7, 9  
Hitchjack, 5, 7, 9, 15

Hub, Wheel, 5, 7, 9  
Hydraulic Hoses, 12, 13  
Hydraulics, 12–13

## M

Main Frame, 4–7, 9

## O

Options & Accessories  
Center Wheel, 16–17  
Safety Chain, 18

## P

Paint Notice, 2

## R

Rake Arms, 10, 11

## S

Safety Chain, 18  
Shock Absorber, 5, 7, 9  
Stand Assembly, 9  
Support, Arm, 5, 7, 9

## T

Tee Fitting, 12, 13  
Tines, 14, 17  
Turnbuckle, 5, 7, 9

## V

Valve, Tire, 5, 7, 9

# 418/420 - NUMERICAL INDEX

Part No.	Page No.	Ref. No.	Part No.	Page No.	Ref. No.	Part No.	Page No.	Ref. No.	Part No.	Page No.	Ref. No.
045582	05	08	130411	13	08	170062	05	38	613046	17	12
045582	07	08	130414	09	13	170063	12	05	613049	05	11
045582	09	08	130421	13	01	170064	12	08	613049	07	11
047269	07	53	130422	07	55	170065	12	12	613049	09	11
054995	12	13	130424	13	03	170066	12	04	613067	05	04
062367	14	15	130430	13	06	170075	05	45	613067	07	04
062367	17	41	130431	13	07	170323	12	14	613067	09	04
069076	18	01	136112	12	07	170331	12	11	613096	15	02
071246	05	40	141672	13	11	171180	14	01	613271	05	02
071246	07	40	142965	18	00	171182	14	00	613271	07	02
071249	05	41	143469	07	12	171183	14	00	613271	09	02
071249	07	41	143469	09	12	173035	05	12	613272	05	09
071701	07	54	143469	15	00	173035	15	00	613272	07	09
076099	05	14	143599	15	03	173036	15	01	613272	09	09
076099	07	14	143601	15	02	173037	15	02	613568	05	26
076099	09	14	143603	15	01	173039	15	03	613568	07	26
076099	10	03	144549	17	02	173622	17	44	613568	09	26
076099	11	03	144784	05	16	520074	14	13	613569	05	15
076099	17	01	144784	07	16	520074	17	39	613569	07	15
076100	05	61	144785	05	01	604629	17	09	613569	09	15
080894	18	02	144785	07	01	612776	11	06	613571	05	23
083232	12	10	144786	07	33	612781	14	02	613571	07	23
087393	12	02	144786	09	33	612781	17	32	613571	09	23
089860	13	04	144787	07	38	612782	14	05	613572	05	21
093202	02	01	145060	05	05	612782	17	35	613572	07	21
093367	02	02	145060	07	05	612784	14	04	613572	09	21
093373	02	03	145060	09	05	612784	17	34	613573	05	25
093642	02	04	145216	02	08	612785	14	03	613573	07	25
095009	13	08	145217	02	09	612785	14	03	613573	09	25
095019	13	11	155967	17	31	612785	17	33	613574	05	36
098333	13	05	156719	17	16	612786	14	16	613574	07	36
098691	13	02	156720	10	04	612786	17	42	613574	09	36
112180	12	09	156763	10	04	612787	14	14	613579	05	17
112180	13	09	156764	17	03	612787	17	40	613579	07	17
112181	13	09	156764	17	04	612788	14	11	613579	09	17
112181	13	10	156765	17	05	612788	17	37	613582	09	01
113304	05	52	156766	17	06	612986	10	08	613583	09	16
113304	07	52	156767	17	07	612986	11	08	613585	05	29
113304	10	10	156768	17	08	612996	05	03	613585	07	29
114288	05	06	159223	05	69	612996	07	03	613585	09	29
114288	07	06	159223	12	01	612996	09	03	613586	05	20
114288	09	06	159290	05	62	612997	05	10	613586	07	20
119408	02	05	170056	05	12	612997	07	10	613586	09	20
119409	02	05	170056	15	00	612997	09	10	613587	11	04
119575	12	06	170058	15	01	613001	17	11	613588	11	04
120429	02	06	170060	05	60	613021	05	42	613598	11	01
126345	02	07	170061	05	33	613021	07	42	613600	10	07

## 418/420 - NUMERICAL INDEX

Part No.	Page No.	Ref. No.	Part No.	Page No.	Ref. No.	Part No.	Page No.	Ref. No.	Part No.	Page No.	Ref. No.
613600	11	07	614013	07	32	654016	17	43	656049	17	46
613621	17	13	614013	09	32	654022	05	67	656050	05	47
613638	05	18	614014	05	31	654032	18	09	656050	07	47
613638	07	18	614014	07	31	654034	18	10	656050	17	19
613638	09	18	614014	09	31	656007	11	04	656051	05	64
613638	10	02	614015	05	34	656007	14	17	656065	15	03
613638	11	02	614015	07	34	656007	17	18	656068	05	39
613639	10	05	614015	09	34	656009	11	06	656068	07	39
613639	11	05	614016	05	30	656017	05	43	656068	09	39
613640	05	28	614016	07	30	656017	07	43	656075	05	59
613640	07	28	614016	09	30	656017	09	20	656075	07	59
613640	09	28	614031	05	07	656017	09	36	656075	09	09
613936	05	24	614031	07	07	656021	05	44	656102	17	20
613936	07	24	614031	09	07	656021	07	44	656103	17	45
613936	09	24	614056	17	14	656021	09	24	656119	05	49
613937	05	27	614057	17	15	656022	10	09	656119	07	49
613937	07	27	650172	18	04	656022	11	08	656120	05	50
613937	09	27	650649	18	04	656026	07	45	656120	07	50
613939	05	19	650687	07	57	656026	09	33	656120	17	47
613939	07	19	650695	18	05	656036	05	46	656133	14	19
613939	09	19	650835	05	65	656036	07	46	656133	17	22
614011	05	35	651152	17	16	656036	09	19	656134	14	12
614011	07	35	651522	17	17	656040	05	37	656134	17	38
614011	09	35	653005	05	66	656040	07	37	656138	05	63
614012	05	22	653021	18	06	656040	09	37	656144	15	04
614012	07	22	653026	18	07	656049	14	06	656162	05	51
614012	09	22	654002	05	68	656049	14	18	656162	07	51
614013	05	32	654014	18	08	656049	17	36	656162	09	29

Size & Description	Part Number	Size & Description	Part Number	Size & Description	Part Number	Size & Description	Part Number
M10 LN	071246	M12 P	656120	M16 LN	071249	5/16 LN	071701
M10 N	656102	M12 N	656050	M16 P	656119		
M10 P	656133	M12 LN	113304				

## NOTES








## NOTES

## NOTES

# TORQUE SPECIFICATIONS

**NOTE:** Use these torque values when tightening **GEHL** hardware (excluding: locknuts and self-tapping, thread-forming and sheet metal screws) unless specified otherwise.

All torque values are in Lb-Ft except those marked with an \* which are Lb-In  
(For metric torque value Nm, multiply Lb-Ft value by 1.355 or Lb-In value by 0.113)

Unified National Thread	Grade 2 		Grade 5 		Grade 8 	
	Dry	Lubed	Dry	Lubed	Dry	Lubed
8-32 8-36	19* 20*	14* 15*	30* 31*	22* 23*	41* 43*	31* 32*
10-24 10-32	27* 31*	21* 23*	43* 49*	32* 36*	60* 68*	45* 51*
1/4-20 1/4-28	66* 76*	50* 56*	9 10	75* 86*	12 14	9 10
5/16-18 5/16-24	11 12	9	17 19	13 14	25	18 20
3/8-16 3/8-24	20 23	15 17	30 35	23 25	45 50	35
7/16-14 7/16-20	32 36	24 27	50 55	35 40	70 80	55 60
1/2-13 1/2-20	50 55	35 40	75 90	55 65	110 120	80 90
9/16-12 9/16-18	70 80	55 60	110 120	80 90	150 170	110 130
5/8-11 5/8-18	100 110	75 85	150 180	110 130	220 240	170 180
3/4-10 3/4-16	175 200	130 150	260 300	200 220	380 420	280 320
7/8-9 7/8-14	170 180	125 140	430 470	320 360	600 660	460 500
1-8 1-14	250 270	190 210	640 710	480 530	900 1000	680 740
Metric Course Thread	Grade 8.8 		Grade 10.9 		Grade 12.9 	
	Dry	Lubed	Dry	Lubed	Dry	Lubed
M6-1	8	6	11	8	13.5	10
M8-1.25	19	14	27	20	32.5	24
M10-1.5	37.5	28	53	39	64	47
M12-1.75	65	48	91.5	67.5	111.5	82
M14-2	103.5	76.5	145.5	108	176.5	131
M16-2	158.5	117.5	223.5	165.5	271	200

# GEHL®

**Gehl Company** 143 Water Street, P.O. Box 179, West Bend, WI 53095-0179 U.S.A.  
[www.gehl.com](http://www.gehl.com)