

Form No.  
904781

# 3210/3250

## Rectangular Baler



# SERVICE PARTS MANUAL

**GEHL®** AGRICULTURE

## Introduction

When ordering service parts, specify the correct part number, full description, quantity required, the unit model number and serial number.

The model and serial numbers for this unit are on a Decal located on the Front Panel of the Baler, adjacent to the Flywheel.

“Right” and “left” are determined from a position standing behind the unit and facing forward. From this position, the Pickup is on the “right” and the Flywheel and Bale-forming Chamber are on the “left”.

Gehl Company reserves the right to make changes or improvements in the design or construction of any part of the unit without incurring the obligation to install such changes on any previously delivered units.

**NOTE:** *On original tire replacement, company policy prohibits the sale of replacement tires for all Gehl machinery. Replacement Wheel Sets are available and tire size information is called out with the Wheel Sets to facilitate replacement tire selection. ALL REPLACEMENT TIRES MUST BE PURCHASED LOCALLY.*

Refer to the abbreviations table located on this page for the various fastener descriptions. Standard attaching hardware torque values are also provided on the inside back cover.

Unless otherwise specified, all Cap Screws or Bolts are Grade 5, cadmium or zinc plated; Hexagon Nuts for Grade 5 Screws or Bolts are Grade B; Hexagon

Nuts for other Screws or Bolts are Grade A.

**NOTE:** *The following abbreviations may used herein:*

ASS'Y	- Assembly
AR	- As Required
CB	- Carriage Bolt
CS	- Cap Screw (Hexagon Head)
FSHCS	- Flat Socket Head Cap Screw
GR	- Grade
HD	- Head or Hardened
HDW	- Hardware
ID	- Inside Diameter
L	- Lock (Washer)
LH	- Left Hand (Thread)
LN	- Lock Nut (Hexagon)
LT	- Left
N	- Nut (Hexagon)
NF	- National Fine
OD	- Outside Diameter
P	- Plain (Washer)
PB	- Plow Bolt
PTO	- Power Take Off
RHMS	- Round Head Machine Screw
RT	- Right
SHSS	- Socket Head Set Screw
SQ	- Square
SQHSS	- Square Head Set Screw
T	- Tooth (Teeth)
TCS	- Thread Cutting Screw
TFS	- Thread Forming Screw
THMS	- Truss Head Machine Screw

# Table of Contents

<b>Description</b>	<b>Page</b>
Decal Locations . . . . .	2 & 3
Main Frame & Wheels . . . . .	4 & 5
Drawbar, PTO Supports & Shield . . . . .	6 & 7
Flywheel And Clutch Assembly . . . . .	8 & 9
Main Drive Assembly . . . . .	10 & 11
Main Drive And Idlers . . . . .	12 & 13
Chains . . . . .	14 & 15
3210 – Packer & Packer Drive . . . . .	16 & 17
3250 – Packer & Packer Drive . . . . .	18 & 19
Baler Sheet Metal . . . . .	20 & 21
Feed Housing & Twine Box . . . . .	22 & 23
Bale Chamber . . . . .	24 & 25
Plunger . . . . .	26 & 27
Metering Wheel . . . . .	28 & 29
Needles . . . . .	30
Plunger Safety Stop . . . . .	31
Twine Knotter & Controls . . . . .	32 & 33
Twine Knotter Assembly . . . . .	34 & 35
Pickup . . . . .	36 & 37
Pickup Sheet Metal, Windguard & Gauge Wheel . . . . .	38 & 39
Pickup – Overrunning Clutch Assembly & Hitchjack . . . . .	40
Front PTO (Fixed-length) Section . . . . .	41
Rear PTO (Telescoping) Section . . . . .	42
Accessories . . . . .	43 – 46
805099 Quarter Turn Bale Chute . . . . .	43
805098 Tailgate Chute . . . . .	44
805100 Wagon Loading Chute . . . . .	44
805101 Swinging Wagon Hitch . . . . .	45
805102 51” (1295 Mm) Long Wagon Pole . . . . .	45
805103 26” (660 Mm) Long Wagon Pole . . . . .	45
805104 Hay Wedge Kit . . . . .	45
805105 Plunger Face Extension . . . . .	45
Numerical Index . . . . .	46 – 51

# DECAL LOCATIONS

## GENERAL INFORMATION



### CAUTION

**ALWAYS** read and abide by the Safety Rules and information shown on Decals. If Decal(s) become(s) damaged, unreadable or if the unit is repainted, the Decal(s) **MUST** be replaced. If repainting, **MAKE SURE ALL** Decals which apply to your machine are properly affixed to your unit in their proper locations.

Decal Locations information is provided to assist in the proper selection and application of new decals, in the event the original decal(s) become(s) damaged or the machine is repainted.

For correct replacement of decal(s), compare the close-up location photographs to your machine **BEFORE** starting to refinish the unit. Check-off each required decal using the illustration reference number to find the part number, description and quantity in the list. Refer to the appropriate illustration(s) for replacement location(s).

**NOTE:** Refer to the *SAFETY Chapter of the Operator's Manual for the specific information provided on all of the various Safety Decals.*

#### PAINT NOTICE

Use this list to order paint for refinishing:

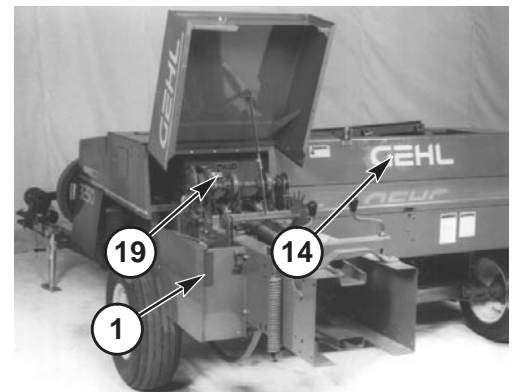
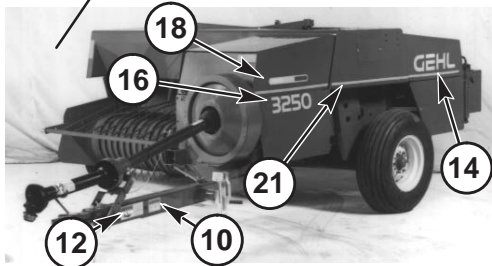
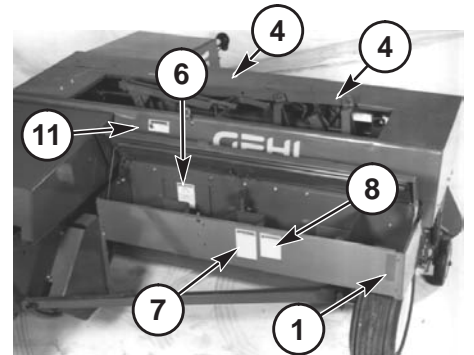
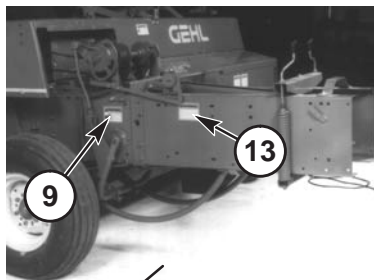
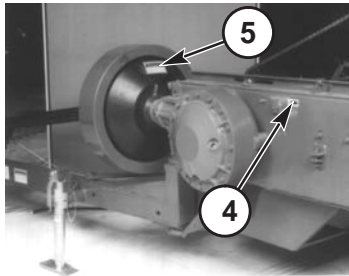
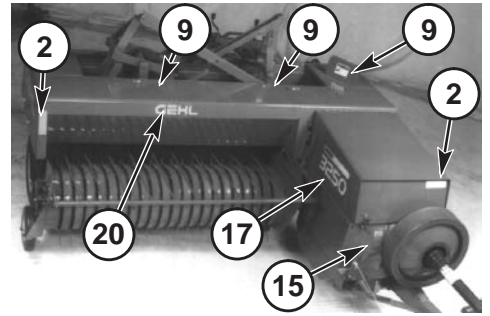
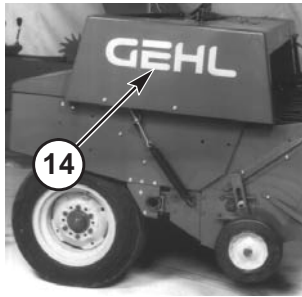
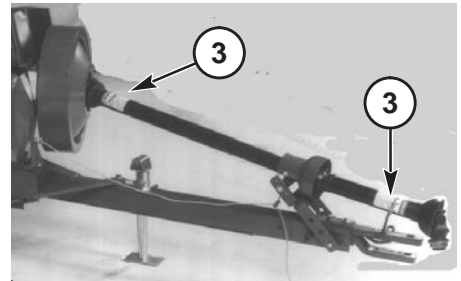
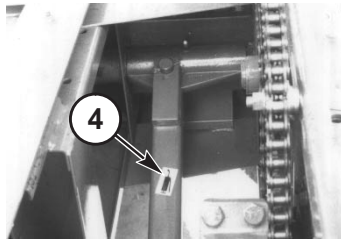
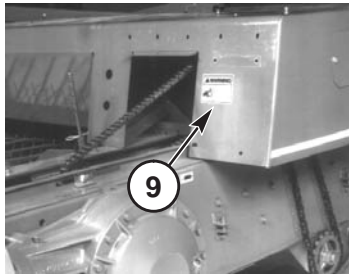
906315	One Gal. Red
906323	One Qt. Charcoal Grey
906317	One Gal. Charcoal Grey
902873	One Qt. Black
906316	6 (12 oz. Spray Cans) Red
906318	6 (12 oz. Spray Cans) Grey
902875	6 (12 oz. Spray Cans) Black

## NEW DECAL APPLICATION

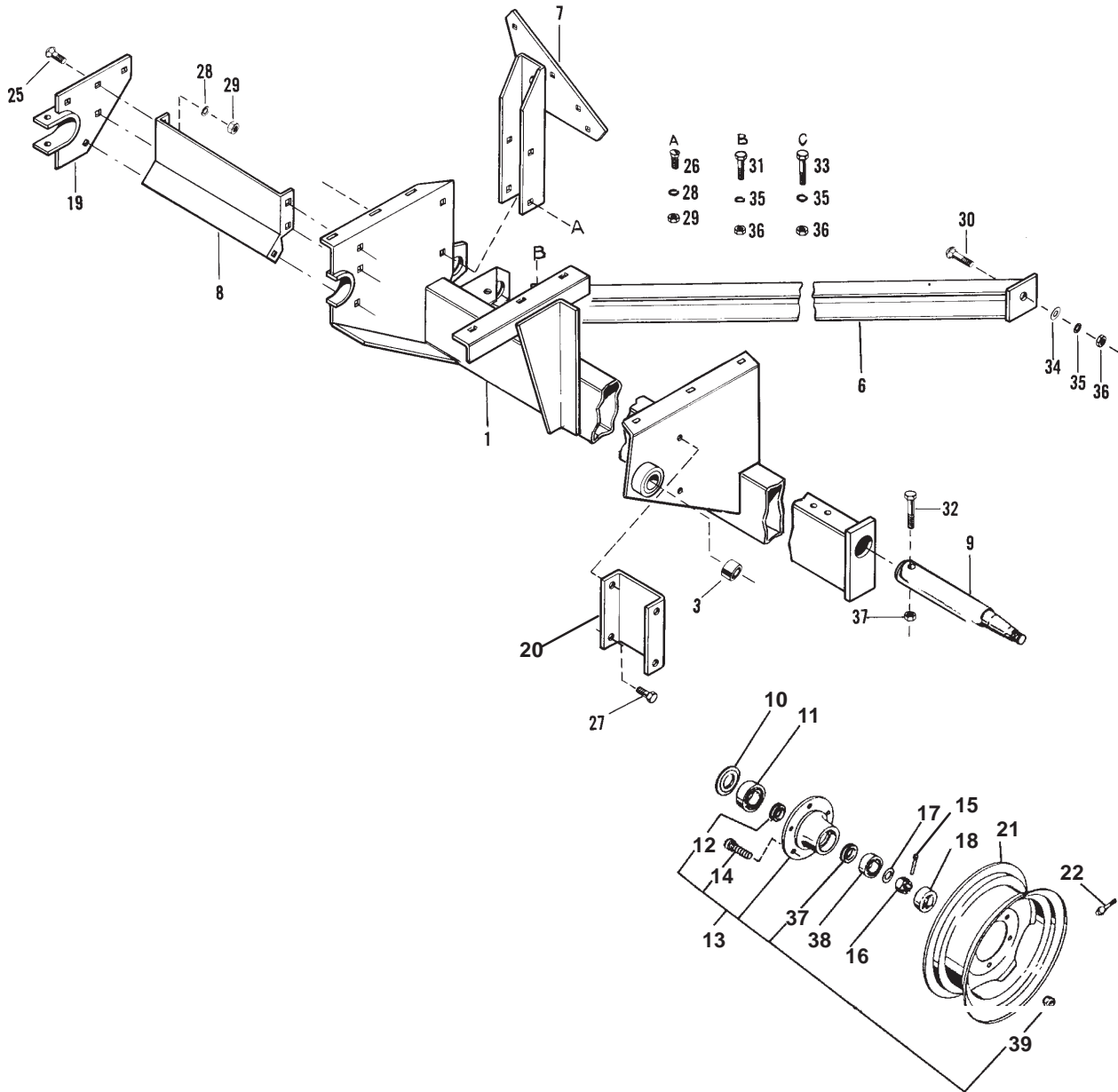
Surfaces **MUST** be free from dirt, dust, grease and other foreign material before applying the new decal. To apply a solid-formed decal, remove the smaller portion of the decal backing paper and apply this part of the exposed adhesive backing to the clean surface while maintaining proper position and alignment. Slowly peel off the other portion of the backing paper while applying hand pressure to smooth-out the decal surface. To apply a die-cut Decal, first remove the backing paper. Then, properly position the Decal onto the clean mounting surface. After the Decal is firmly applied and smoothly pressed-down, remove the front covering paper.

The Decal Set for the 3210 & 3250 Balers is 127177. The Set includes the following:

Ref. No.	Part No.	Description & Quantity
1	067493	Red Reflector (2 Places)
2	067926	Amber Reflector (2 Places)
3	091444	DANGER - Rotating Component (2 Places)
4	093020	Lubrication Symbol (4 Places)
5	093365	WARNING - Close or Replace Guard
6	093366	IMPORTANT - Store Manual Here
7	093367	WARNING - Owner's Responsibility & Read Manual
8	093373	WARNING - General Safety
9	093457	WARNING - Keep Door Closed(5 Places)
10	093466	WARNING - 540 RPM Operation ONLY
11	093489	WARNING - Pinch Point
12	093597	WARNING - Rotating Drive Line
13	093598	WARNING - Install Transport Lock
14	094914	GEHL 5 x 23-1/2" (3 Places)
15	094951	Made in USA
16	094958	3210 (Only)
	094959	3250 (Only)
17	094960	3210 & Colorbar
	094961	3250 & Colorbar
18	094962	Colorbar for 3210
	094963	Colorbar for 3250
19	115877	Hay Check Reminder
20	126345	GEHL 2-1/2 x 11-3/4"
21	126757	Stripe (10 ft Roll)
22	086902	DANGER - Rotating Component - NOT Shown (Inside PTO Shield)



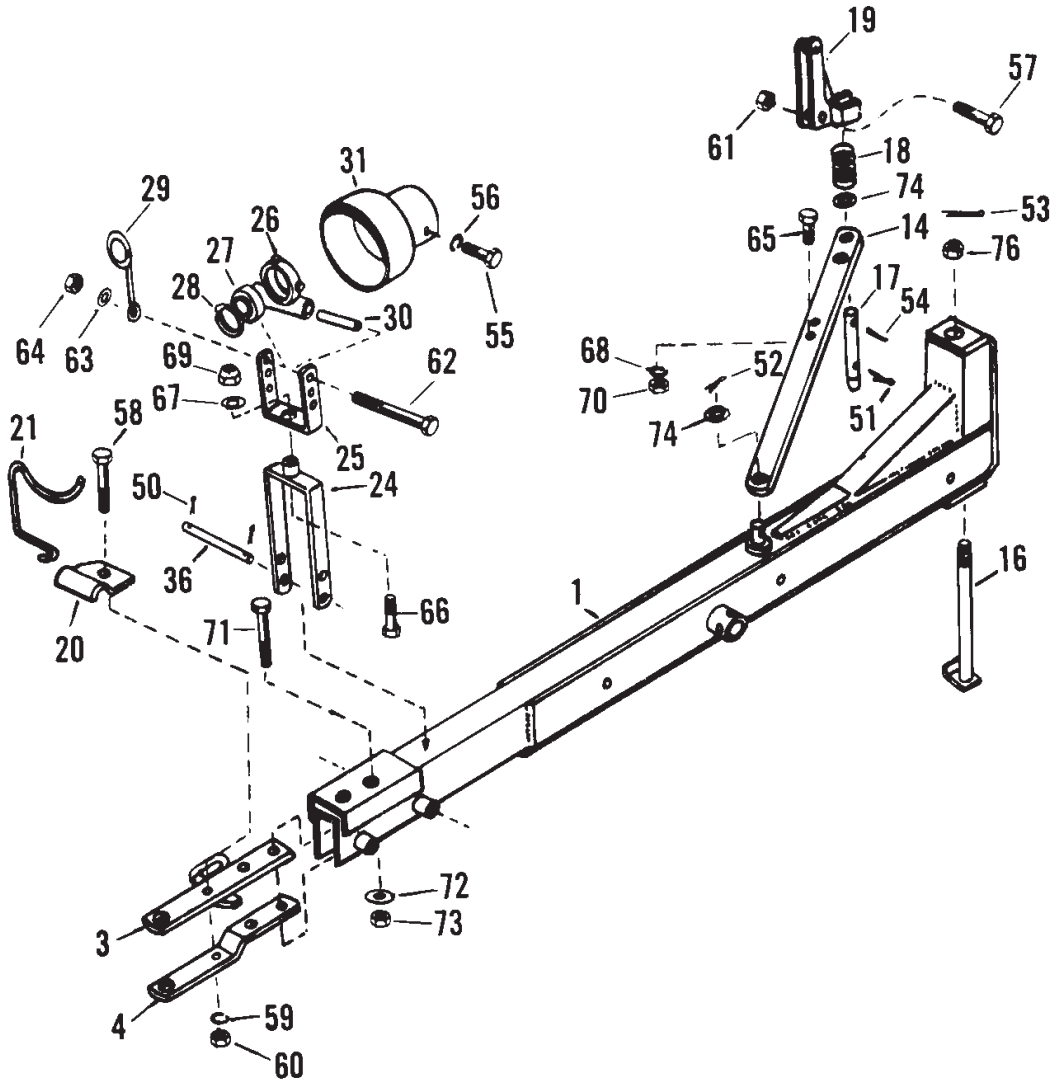
# 3210/3250 – MAIN FRAME & WHEELS



## 3210/3250 – MAIN FRAME & WHEELS

Ref. No.	Part No.	Description	Qty. Req.	Ref. No.	Part No.	Description	Qty. Req.
01	116472	FRAME/ASS'Y (3210)	1	21	126740	WHEEL (15 x 8LB)	2
	116473	FRAME/ASS'Y AXLE(3250)	1	22	045581	VALVE/TIRE	2
03	116491	BEARING/SLEEVE	1	25	650790	CB 3/8X3/4	AR
06	117362	BRACE/ASS'Y DIAGONAL (3210)	1	26	650704	CB 3/8X1	AR
	117338	BRACE/ASS'Y DIAGONAL (3250)	1	27	650490	CS 3/8X1	AR
07	116958	SUPPORT/AXLE ASS'Y	1	28	654026	L 3/8	AR
08	116998	BRACE/AXLE	1	29	653010	N 3/8	AR
09	116493	SPINDLE	2	30	650527	CB 1/2X1-1/4	AR
10	079716	SEAL/GREASE	2	31	650495	CS 1/2X1-1/4	AR
11	042163	CONE/BEARING (INNER)	2	32	650503	CS 1/2X2-1/2	AR
12	042162	CUP/BEARING (INNER)	2	33	650644	CS 1/2X3	AR
13	091870 <sub>1</sub>	HUB/WHEEL W/CUPS	2	34	651148	P 1/2	AR
14	046000	BOLT/WHEEL (PRESS-FIT)	12	35	654030	L 1/2	AR
15	655010	PIN/COTTER 1/4X1-1/2	2	36	653018	N 1/2	AR
16	653102	NUT/SLOTTED 7/8NF	2	37	520054	CUP/BEARING (OUTER)	2
17	066717	WASHER/SPINDLE	2	38	520201	CONE/BEARING (OUTER)	2
18	076586	CAP/GREASE	2	39	046001	NUT/WHEEL	12
19	116999	SUPPORT/ASS'Y HOUSING FEED	1	1.	Includes Inner & Outer Bearing Cups & (6 each) Wheel Bolts & Nuts.		
20	116997	CHANNEL/FRAME	1				

3210/3250 – DRAWBAR, PTO SUPPORTS & SHIELD



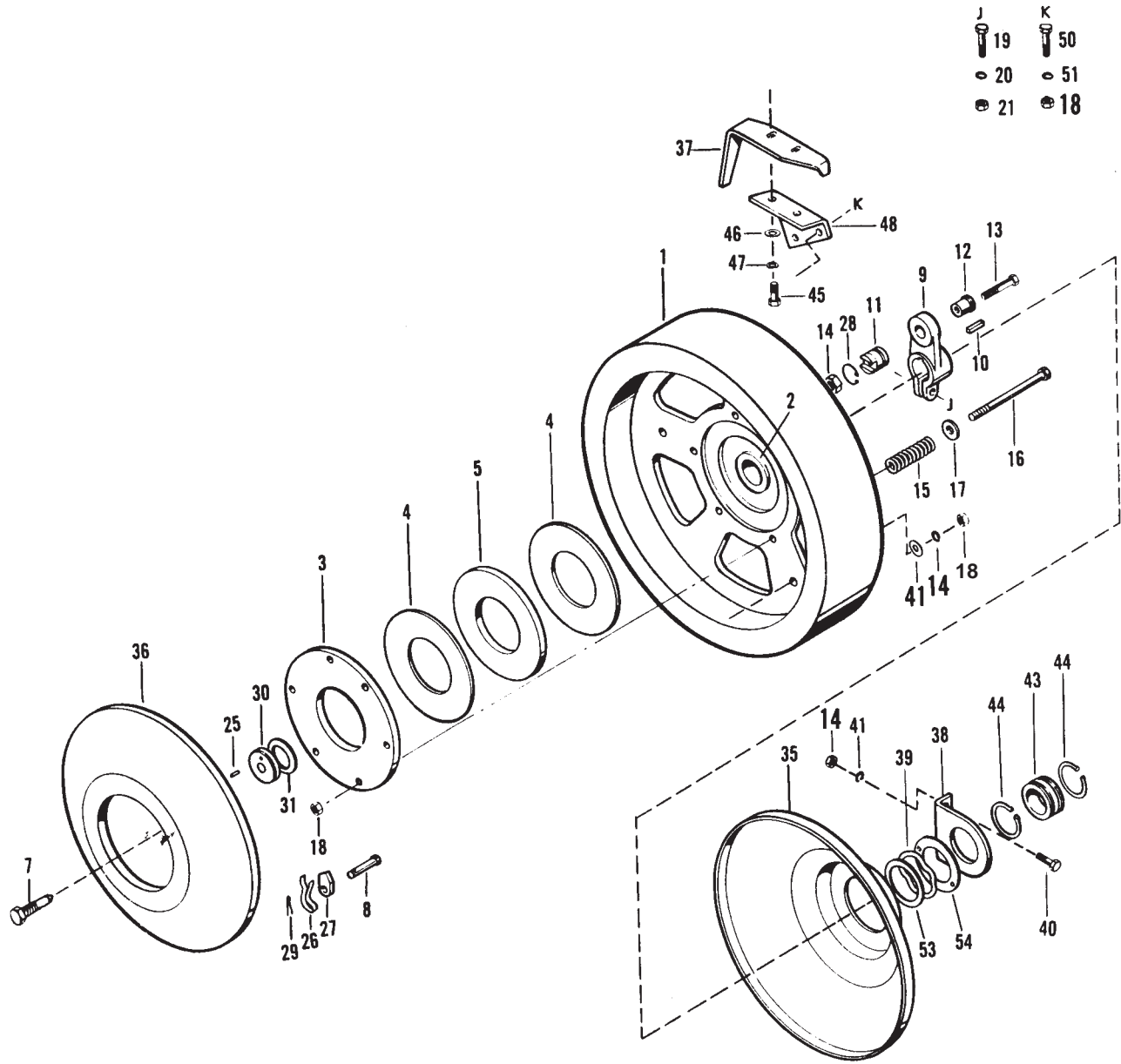


## 3210/3250 – DRAWBAR, PTO SUPPORTS & SHIELD

Ref. No.	Part No.	Description	Qty. Req.	Ref. No.	Part No.	Description	Qty. Req.
01	116754	TONGUE/ASS'Y LONG .....	1	54	13E24	PIN/CLUTCHLIFT .....	AR
03	116809	PLATE/ASS'Y HITCH .....	1	55	650484	CS 5/16X1/2 .....	AR
04	116817	PLATE/HITCH .....	1	56	654024	L 5/16 .....	AR
14	116813	LATCH/ASS'Y TONGUE (LONG) .....	1	57	650533	CS 3/8X1-1/2 .....	AR
16	116772	SHAFT/ASS'Y PIVOT .....	1	58	650579	CS 3/8X1-3/4 .....	AR
17	116775	PIN/LATCH 3/4X6-3/4 .....	1	59	654026	L 3/8 .....	AR
18	116776	SPRING/LATCH .....	1	60	653010	N 3/8 .....	AR
19	116777	LEVER/RELEASE .....	1	61	071703	LN 3/8 .....	AR
	1	ROPE 1/4X154 .....	1	62	652187	CS 7/16NFX7 .....	AR
20	116786	BRACKET/PIVOT .....	1	63	654046	P 7/16 .....	AR
21	116787	ROD/PTO SUPPORT .....	1	64	081371	LN 7/16NF .....	AR
24	116779	SUPPORT/ASS'Y LOWER .....	1	65	650495	CS 1/2X1-1/4 .....	AR
25	116792	SUPPORT/ASS'Y UPPER .....	1	66	650585	CS 1/2X2 .....	AR
26	116795	HOUSING/BEARING .....	1	67	116771	WASHER/FLAT .....	AR
27	092125	BEARING .....	1	68	654030	L 1/2 .....	AR
28	059567	RING/RETAINING .....	1	69	071706	LN 1/2 .....	AR
29	116783	GUIDE/ROPE .....	1	70	653018	N 1/2 .....	AR
30	116769	PIPE .....	1	71	651286	CS 3/4nfX3-3/4 .....	AR
31	116805	SHIELD/ASS'Y PTO .....	1	72	078813	WASHER .....	AR
36	116768	PIN .....	2	73	126530	N 3/4nf .....	AR
50	655018	PIN/COTTER 3/16X1-1/4 .....	AR	74	654051	P 3/4 NARROW .....	AR
51	655020	PIN/COTTER 3/16X1-1/2 .....	AR	76	650933	NUT/SLOTTED 1 .....	AR
52	655028	PIN/COTTER 1/4 X 1-1/2 .....	AR				
53	655029	PIN/COTTER 1/4 X 1-3/4 .....	AR				

1. Purchase locally.

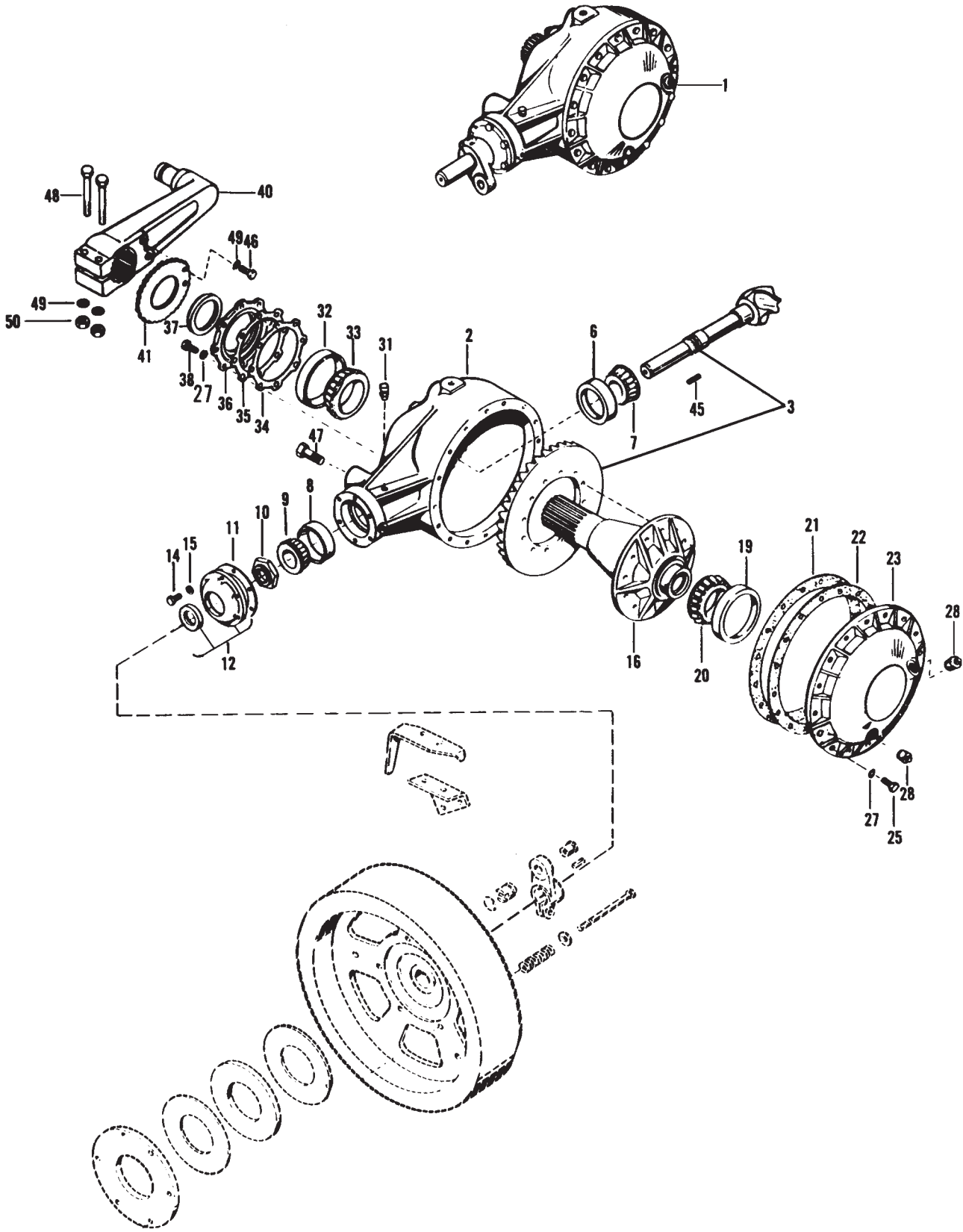
# 3210/3250 – FLYWHEEL AND CLUTCH ASSEMBLY



## 3210/3250 – FLYWHEEL AND CLUTCH ASSEMBLY

Ref. No.	Part No.	Description	Qty. Req.	Ref. No.	Part No.	Description	Qty. Req.
01	124337 <sub>1</sub>	FLYWHEEL/ASS'Y .....	1	28	126033	RING/RETAINING .....	1
02	116802	BUSHING/SLEEVE .....	2	29	650551	PIN/COTTER 3/32X3/4 .....	2
03	124335	PLATE/PRESSURE .....	1	30	116732	WASHER/SPECIAL .....	1
04	124334	FACING/CLUTCH .....	2	31	116770	BEARING/THRUST .....	1
05	124336	PLATE/CLUTCH .....	1	35	116753	SHIELD/FLYWHEEL .....	1
07	116735	BOLT/FLYWHEEL (LH THREAD) .....	1	36	117211	SHIELD/FLYWHEEL ASS'Y FRONT ....	1
08	116790	PIN/PAWL (SPECIAL) .....	1	37	116736	PLATE/FILLER .....	1
09	116742	DOG/DRIVING .....	1	38	116737	BRACKET/FLYWHEEL SHIELD .....	1
10	116105	KEY/PARALLEL(1/4X3/8X1-5/8) .....	1	39	116739	WASHER/WAVE SPRING .....	1
11	126032	BUSHING/SHEAR BOLT .....	1	40	650487	CS 5/16X1 .....	2
12	116744	BUSHING/SHEAR BOLT .....	1	41	654024	L 5/16 .....	5
13	650977	CS 5/16X2-1/4 GR8 .....	7	43	116738	COLLAR/FLYWHEEL SHIELD .....	1
14	653007	N 5/16 .....	12	44	051909	RING/RETAINING .....	2
15	124333	SPRING/CLUTCH .....	6	45	650448	CS 1/4X3/4 .....	2
16	124332	BOLT/CLUTCH SPRING .....	6	46	654022	L 1/4 .....	2
17	654009	P 1/2 .....	6	47	650863	P 1/4 .....	2
18	650552	N 3/8nf .....	ar	48	116740	BRACKET/FILLER MOUNTING ASS'Y ..	1
19	650534	CS 7/16X2 .....	1	50	650488	CS 3/8X3/4 .....	2
20	654028	L 7/16 .....	1	51	654026	L 3/8 .....	2
21	653015	N 7/16 .....	1	53	116734	WASHER/FLAT .....	1
25	046570	PIN/SPRING .....	1	54	116731	WASHER/FLYWHEEL .....	1
26	116789	SPRING/DRIVING DOG .....	2	55	654004	P 5/16 .....	3
27	116788	DOG/DRIVING .....	2	1.	Includes Bushing, Item 2.		

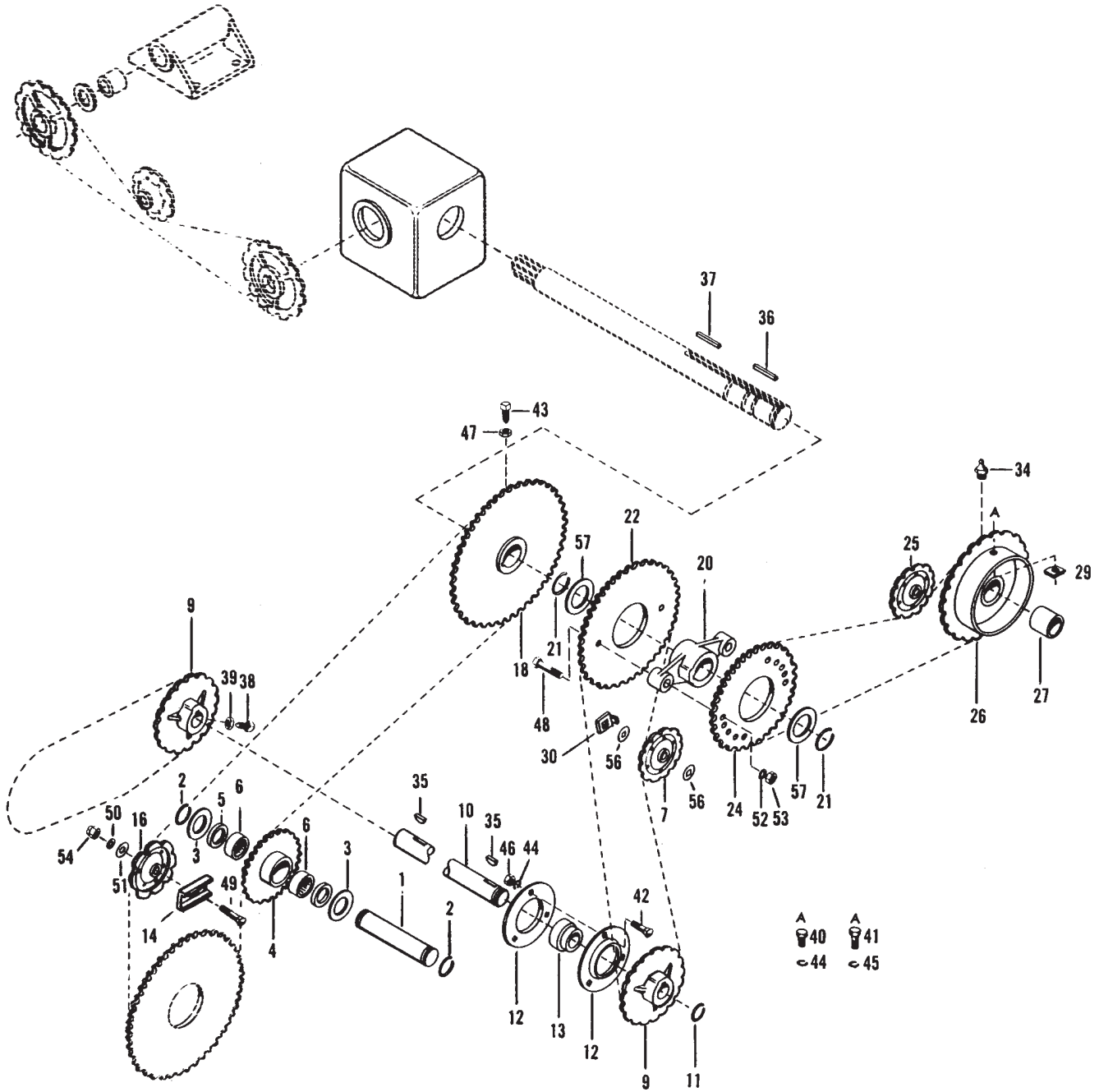
# 3210/3250 – MAIN DRIVE ASSEMBLY



## 3210/3250 – MAIN DRIVE ASSEMBLY

Ref. No.	Part No.	Description	Qty. Req.	Ref. No.	Part No.	Description	Qty. Req.
01	116106	GEAR/MAIN DRIVE ASS'Y .....	1	27	654028	L 7/16 .....	24
02	116107	HOUSING/MAIN DRIVE GEAR .....	1	28	660080	PLUG/PIPE HEXAGON SOCKET 3/4 ...	2
03	116110	GEAR/SET RING & PINION & hdw. ....	1	31	116141	BREATHER/ASS'Y .....	1
06	116139	CUP/TAPERED ROLLER BEARING ....	1	32	116137	CUP/TAPERED ROLLER BEARING ....	1
07	116140	CONE/TAPERED ROLLER BEARING ...	1	33	116138	CONE/TAPERED ROLLER BEARING ...	1
08	043836	CUP/BEARING .....	1	34	116125	SHIM/SMALL BEARING CAP 0.007 ...	AR
09	116136	CONE/TAPERED ROLLER BEARING ...	1	35	116126	SHIM/SMALL BEARING CAP 0.010 ...	AR
10	116119	LOCKNUT/BEARING .....	1	36	116128	CAP/SMALL BEARING .....	1
11	116127	GASKET/SMALL BEARING CAP .....	1	37	116117	SEAL/OIL .....	1
12	116120	CAP/OIL SEAL ASS'Y .....	1	38	650452	CS 7/16X1-1/2 .....	8
14	650488	CS 3/8X3/4 .....	6	40	116101	CRANK/PLUNGER ASS'Y .....	1
15	654026	L 3/8 .....	6	41	116945	BLANK/SPROCKET (42 T) .....	1
16	116113	CARRIER/RING GEAR ASS'Y .....	1	45	116105	KEY/PARALLEL(1/4X3/8X1-5/8) .....	AR
19	116134	CUP/TAPERED ROLLER BEARING ....	1	46	650610	CS 5/8X1-1/4 .....	AR
20	116135	CONE/TAPERED ROLLER BEARING ...	1	47	650307	CS 5/8X1-1/4 GR8 .....	AR
21	116123	SHIM/LARGE BEARING CAP 0.007 ..	AR	48	650354	CS 5/8X4-1/2 .....	AR
22	116124	SHIM LARGE BEARING CAP 0.010 ..	AR	49	654032	L 5/8 .....	AR
23	116130	COVER/MAIN GEAR HOUSING .....	1	50	653021	N 5/8 .....	AR
25	650451	CS 7/16X1-1/4 .....	16				

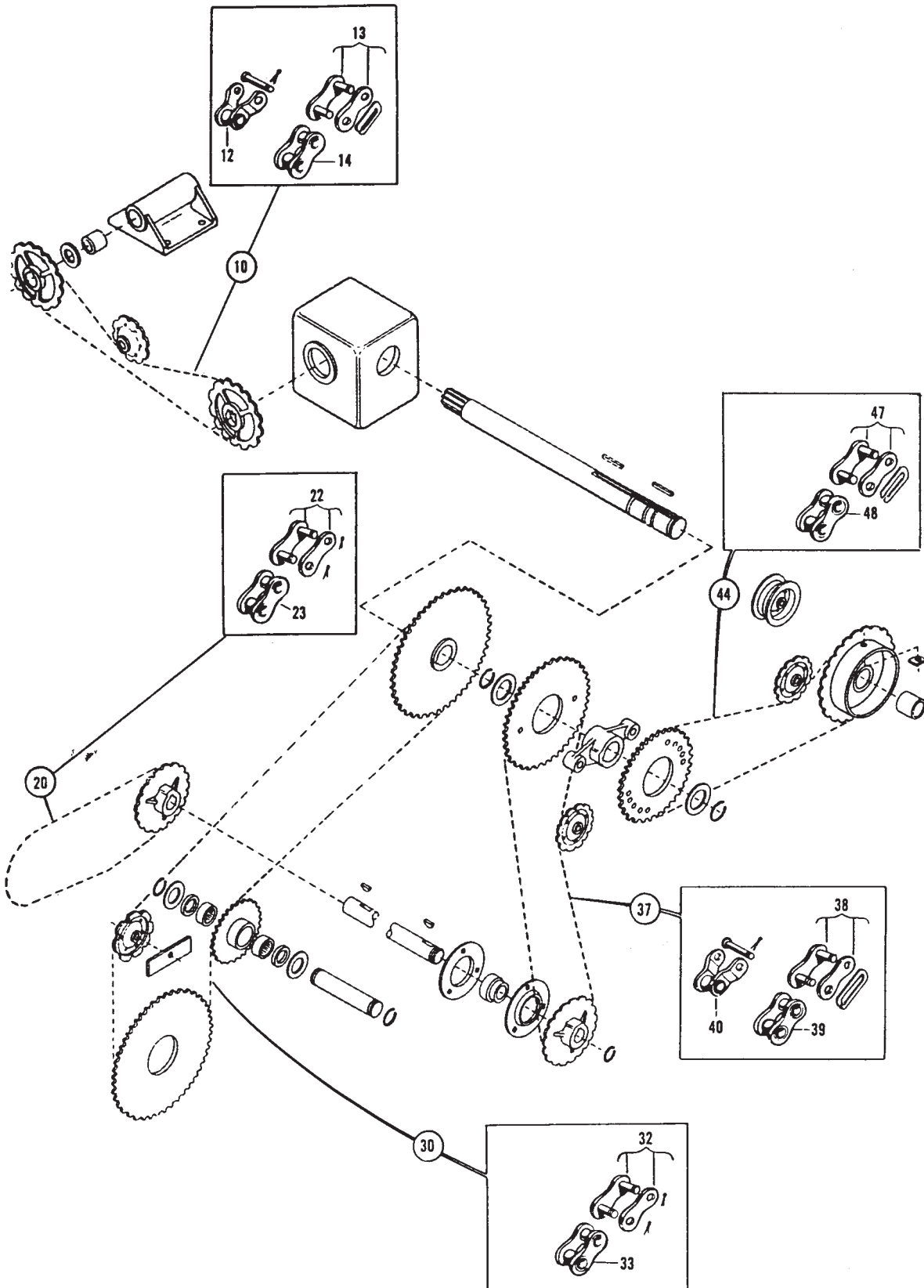
# 3210/3250 – MAIN DRIVE AND IDLERS



## 3210/3250 – MAIN DRIVE AND IDLERS

Ref. No.	Part No.	Description	Qty. Req.	Ref. No.	Part No.	Description	Qty. Req.
01	116139	SHAFT/IDLER SPROCKET .....	1	30	116286	WASHER/LOCKING SPECIAL .....	2
02	047854	RING/RETAINING .....	2	34	570019	FITTING/GREASE .....	AR
03	116338	WASHER/FLAT .....	2	35	655539	KEY/WOODRUFF 1/4X1-1/8 .....	AR
04	116335	SPROCKET/ASS'Y 20T .....	1	36	117216	KEY/PARALLEL .....	AR
05	062749	SEAL/OIL .....	2	37	116171	KEY/FLAT (1/4X3/8X2-1/4) .....	AR
06	116337	BEARING/NEEDLE .....	2	38	650680	SHSS 1/4X3/4 .....	AR
07	116289	IDLER/SPROCKET 18T .....	1	39	651270	NUT/JAM 1/4 .....	AR
09	116341	SPROCKET/PICKUP 16T .....	2	40	650450	CS 3/8X5/8 .....	AR
10	116345	SHAFT/PICKUP DRIVE .....	1	42	652154	CB 3/8X7/8 .....	AR
11	116344	RING/RETAINING EXTERNAL .....	1	43	650231	SQHSS 3/8X1 CUP POINT .....	AR
12	010-10214	FLANGETTE .....	2	44	654026	L 3/8 .....	AR
13	520157	BEARING/BALL .....	1	46	653010	N 3/8 .....	AR
14	117228	WASHER/IDLER BOLT .....	1	47	653038	NUT/JAM 3/8 .....	AR
16	H7812	SPROCKET/CHaIN TIGHTENER .....	1	48	126177	CS 1/2X2-1/4 .....	AR
18	116182	SPROCKET/ASS'Y .....	1	49	650762	CB 1/2X2-1/2 .....	AR
20	117236	HUB/DRIVER .....	1	50	651148	P 17/32 .....	AR
21	077321	RING/RETAINING .....	2	51	654009	p 1/2 .....	AR
22	117235	BLANK/SPROCKET 38T .....	1	52	654030	L 1/2 .....	AR
24	117234	BLANK/SPROCKET 46T .....	1	53	653018	N 1/2 .....	AR
25	117230	IDLER/SPROCKET 18T .....	1	54	071706	LN 1/2 .....	AR
26	116017	SPROCKET/ASS'Y 46T .....	1	55	117218	WASHER/FLAT .....	AR
27	116021	BEARING/SLEEVE .....	1	56	116277	WASHER/FLAT SQ HOLe .....	AR
29	116015	CAM/KNOTTER CLUTCH .....	1	57	117217	WASHER/FLAT .....	AR

# 3210/3250 – CHAINS



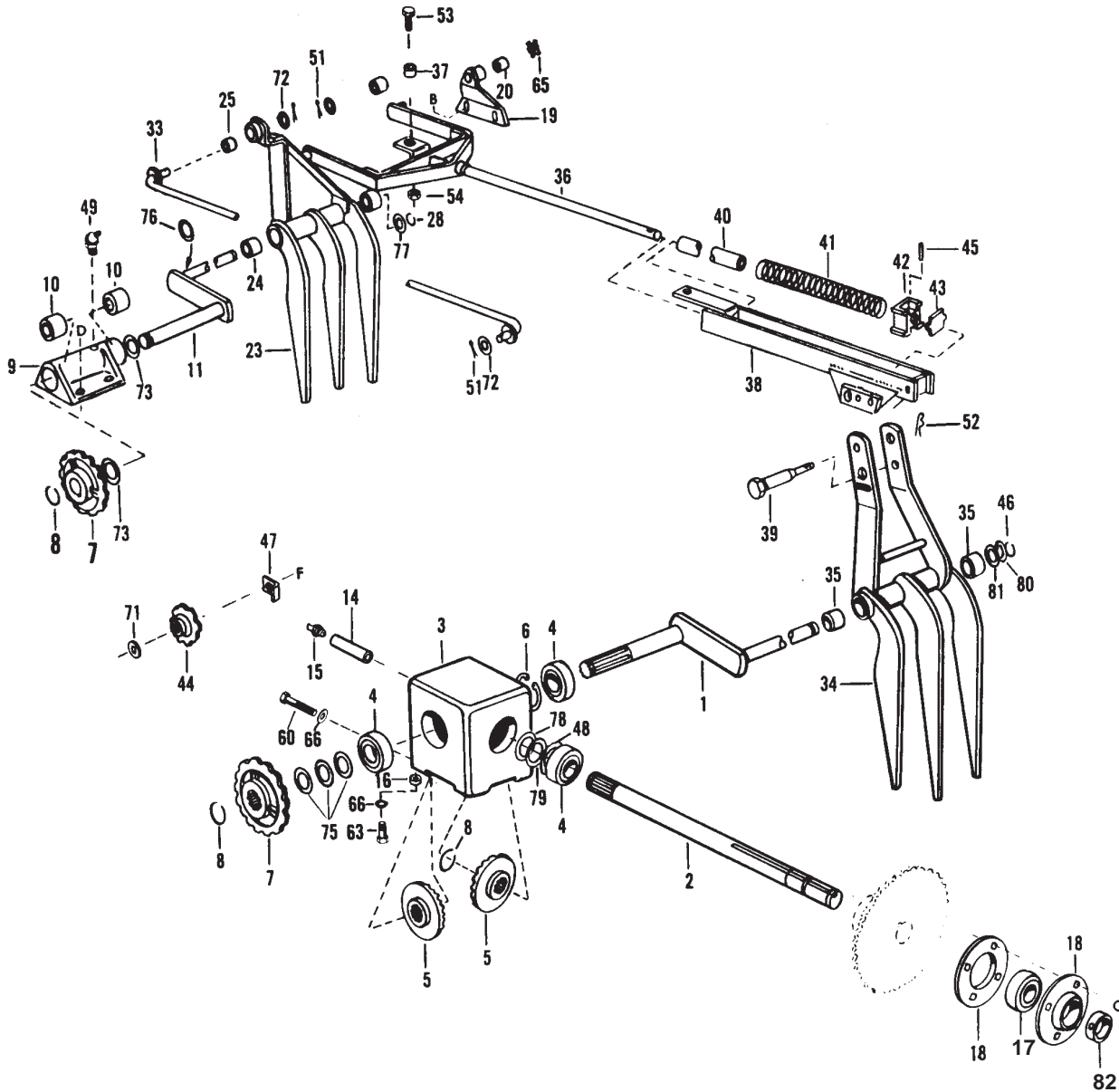


## 3210/3250 – CHAINS

A

Ref. No.	Part No.	Description	Qty. Req.	Ref. No.	Part No.	Description	Qty. Req.
10	116283	CHAIN/ROLLER A2050X69 LINK (3210) .	1	30	117220	CHAIN/ASS'Y #60 142 LINKS .....	1
12	500112	LINK/OFFSET (#2050) .....	1	32	500160	LINK/CONNECTING (#60) .....	1
13	500111	COUPLER/PLAIN (#2050) .....	1	33	500162	LINK/ROLLER (#60) .....	1
14	500110	LINK/ROLLER (#2050) .....	AR	37	117224	CHAIN/ASS'Y A2050 63 LINKS .....	1
10	116717	CHAIN/ROLLER A2060X66 LINK (3250) .	1	38	500111	COUPLER/PLAIN (#2050) .....	1
12	042058	LINK/OFFSET (#2060) .....	ar	39	500110	LINK/ROLLER (#2050) .....	AR
13	127058	COUPLER/PLAIN (#2060) .....	1	40	500112	LINK/OFFSET .....	1
14	070643	LINK/ROLLER (#2060) .....	AR	44	117246	CHAIN/ASS'Y #40 174 LINKS .....	1
20	117252	CHAIN/ASS'Y A2050 42 LINKS .....	1	47	500037	COUPLER/PLAIN .....	1
22	500111	COUPLER/PLAIN (#2050) .....	1	48	500036	LINK/ROLLER .....	AR
23	500110	LINK/ROLLER (#2050) .....	AR				

# 3210 (ONLY) – PACKER AND PACKER DRIVE

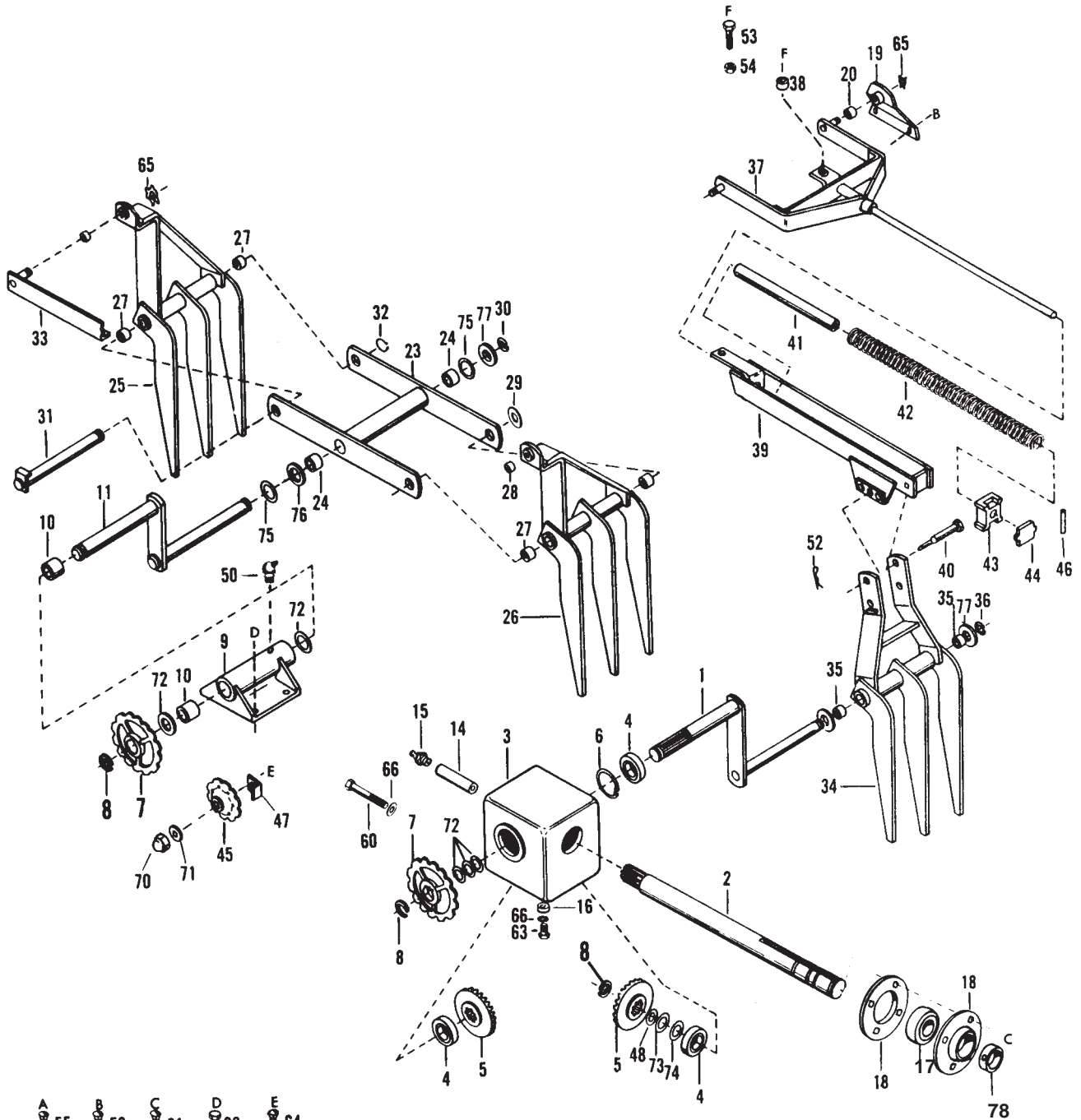


- |    |    |    |    |
|----|----|----|----|
| B  | C  | D  | F  |
| 56 | 61 | 62 | 64 |
| 57 | 66 | 68 | 67 |
| 58 | 67 | 69 | 70 |
| 59 |    |    |    |

## 3210 (ONLY) – PACKER AND PACKER DRIVE

Ref. No.	Part No.	Description	Qty. Req.	Ref. No.	Part No.	Description	Qty. Req.
01	116161	CRANK/ASS'Y LT	1	46	051948	RING/RETAINING	1
02	116186	SHAFT/CROSS	1	47	116286	WASHER/LOCKING SPECIAL	1
03	116176	HOUSING/PACKER GEAR BOX ASS'Y	1	48	116172	SPACER/PACKER GEARBOX	2
04	092125	BEARING	3	49	570009	FITTING/GREASE	1
05	116173	GEAR/BEVEL 17 TOOTH	2	51	655006	PIN/COTTER 1/8X1	AR
06	126030	RING/RETAINING INTERNAL	1	52	076099	PIN/HAIR PIN COTTER	AR
07	116178	SPROCKET/PACKER DRive ASS'Y	2	53	651281	CS 1/4NFX1	AR
08	116329	RING/RETAINING EXTERNAL	3	54	210-10654	LN 1/4NF	AR
09	116331 <sub>1</sub>	HOUSING/ASS'Y PACKER	1	56	650786	CB 3/8X1-1/4	AR
10	116386	BEARING/SLEEVE	2	57	654049	P 3/8	AR
11	116332	CRANK/PACKER ASS'Y	1	58	654026	L 3/8	AR
14	116169	COUPLING/LUBRICATION	1	59	653010	N 3/8	AR
15	570002	FITTING/GREASE	1	60	650495	CS 1/2X1-1/4	AR
16	116733	SPACER/STEEL	1	61	650527	CB 1/2X1-1/4	AR
17	064839	BEARING/BALL	1	62	650453	CS 1/2X1-1/2	AR
18	010-10284	FLANGETTE	2	63	650111	CS 1/2X1-3/4	AR
19	126204 <sub>1</sub>	BRACKET/PIVOT ASS'Y	1	64	650762	CB 1/2X2-1/2	AR
20	116285	BEARING/COMPRESSION ROD	1	65	116201	WASHER/SPECIAL	AR
23	126173 <sub>1</sub>	ARM/OUTBOARD PACKER ASS'Y	1	66	062255	P 1/2 (SPECIAL)	AR
24	126163	BUSHING/SLEEVE	2	67	651148	P 1/2	AR
25	116279	BEARING/COMPRESSION ROD	2	68	654030	L 1/2	AR
28	116276	RING/RETAINER EXTERNAL	2	69	653018	N 1/2	AR
33	116281	ROD/COMPRESSION ASS'Y	1	70	071706	LN 1/2	AR
34	116275 <sub>1</sub>	ARM/INBOARD PACKER ASS'Y	1	71	116277	WASHER/SQ. HOLE 17/32	AR
35	124306	BUSHING 1-1/8 ID	2	72	654012	P 5/8	AR
36	116297 <sub>1</sub>	ROD ASSY/SPRING RETAINER	1	73	3H55A	P 1-3/8 (SPECIAL)	AR
37	116300	BUSHING/SHEAR BOLT	1	75	124293	WASHER/SPECIAL 1-3/8	AR
38	116305	BRACKET/SPRING RETainer ASS'Y	1	76	091128	P 1 (SPECIAL)	AR
39	116280	PIN/PIVOT PACKER	1	77	116282	WASHER/SPECIAL	AR
40	116295	TUBE/SOUND DEADENER	1	78	116175	SHIM/0.005	AR
41	116294	SPRING/COMPRESSION	1	79	116174	SHIM/0.010 THICK	AR
42	116312	GUIDE/SPRING	1	80	400-32412	WASHER/SPECIAL	AR
43	116296	BUMPER/RUBBER	1	81	116041	WASHER/SPECIAL	AR
44	116289	PULLEY & BEARING	1	82	520099	COLLAR/lock	1
45	116292	PIN/SPIRAL	1	1.	Includes Bearing(s) or Bushing(s).		

# 3250 (ONLY) – PACKER AND PACKER DRIVE



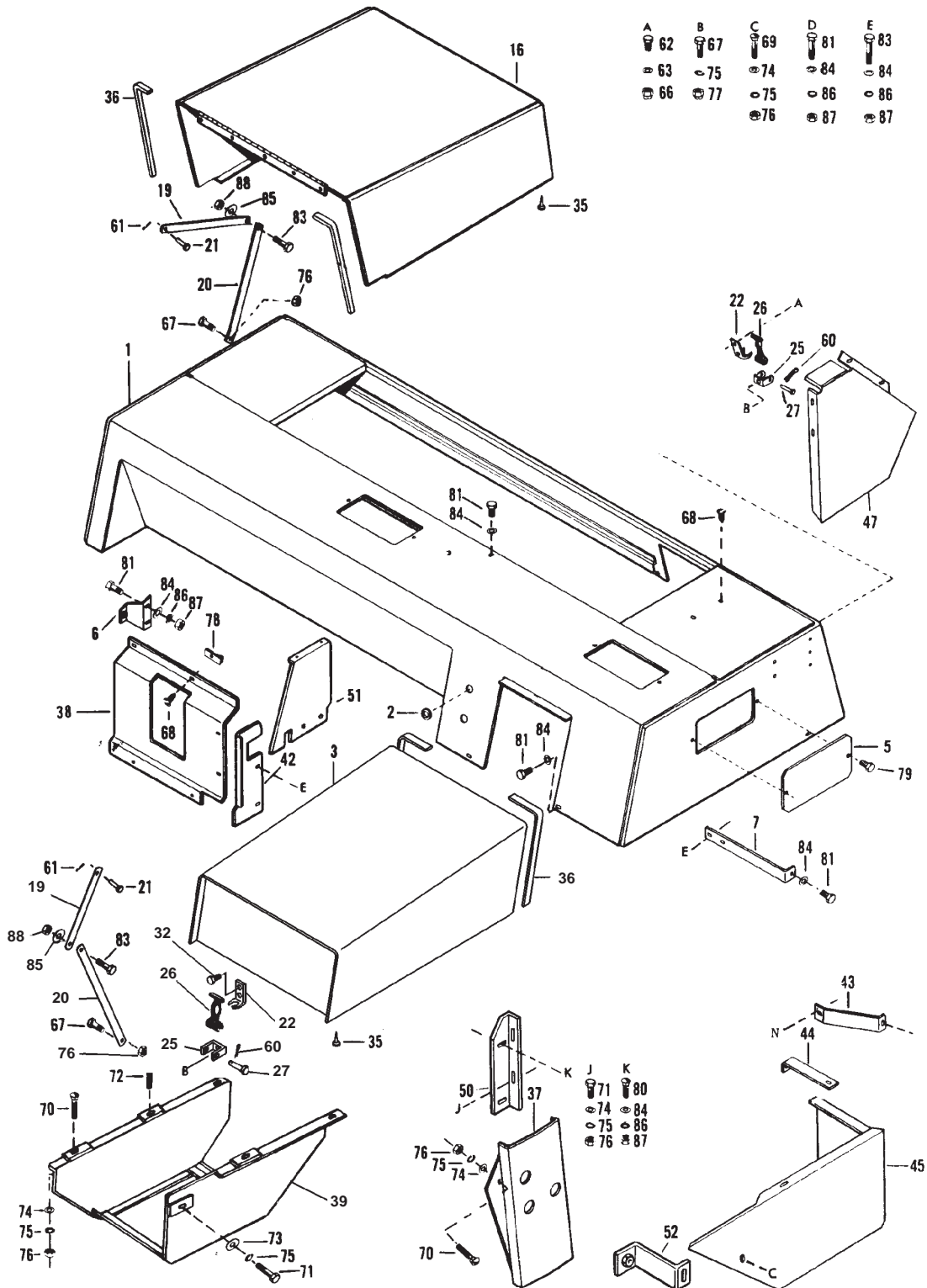
- |      |      |      |      |      |
|------|------|------|------|------|
| A 55 | B 56 | C 61 | D 62 | E 64 |
| • 57 | • 57 | • 68 | • 68 | • 67 |
| • 58 | • 58 | • 69 | • 69 |      |
| • 59 | • 59 |      |      |      |

## 3250 (ONLY) – PACKER AND PACKER DRIVE

Ref. No.	Part No.	Description	Qty. Req.	Ref. No.	Part No.	Description	Qty. Req.
01	116161	CRANK/ASS'Y LEFT	1	42	116294	SPRING/RETURN	1
02	116186	SHAFT/GEAR BOX	1	43	116312	GUIDE/SPRING	1
03	116176	HOUSING	1	44	116296	BUMPER/SPRING	1
04	092125	BEARING/BALL	3	45	049237	SPROCKET/IDLER 8T	1
05	116173	GEAR/BEVEL	2	46	116292	PIN/SPIRAL5/16X1-1/4	1
06	126030	RING/BEARING RETAINER	1	47	116286	WASHER/SPECIAL LOCKING	1
07	116180	SPROCKET/DRIVEN	2	48	116172	SPACER/PACKER GEAR BOX	2
08	116329	RING/EXTERNAL SNAP	3	50	570009	FITTING/GREASE	1
09	116331 <sub>1</sub>	HOUSING/PACKER CRANK	1	52	076099	PIN/HAIR PIN COTTER	AR
10	116386	BUSHING/SLEEVE	2	53	651281	CS 1/4NFX1	AR
11	116719	CRANK/ASS'Y PACKER	1	54	210-10654	LN 1/4NF	AR
14	116169	COUPLING	1	55	650704	CB 3/8X1	AR
15	570002	FITTING/GREASE	1	56	650786	CB 3/8X1-1/4	AR
16	116733	SPACER/STEEL	1	57	654049	P 3/8	AR
17	064839	BEARING/BALL	1	58	654026	L 3/8	AR
18	010-10284	FLANGE/BEARING	2	59	653010	N 3/8	AR
19	126204 <sub>1</sub>	PIVOT/ASS'Y BRACKET	1	60	650495	CS 1/2X1-1/4	AR
20	116285	BUSHING/PIVOT ASS'Y	1	61	650527	CB 1/2X1-1/4	AR
23	116703 <sub>1</sub>	ARM/PACKER SUPPORT	1	62	650453	CS 1/2X1-1/2	AR
24	124306	BUSHING/SLEEVE	2	63	650569	CS 1/2X1-3/4	AR
25	126166 <sub>1</sub>	ARM/ASS'Y	1	64	650762	CB 1/2X2-1/2	AR
26	126159 <sub>1</sub>	ARM/ASS'Y	1	65	116201	WASHER	AR
27	126163	BUSHING/SLEEVE 1.003 ID	2	66	062255	WASHER/HARDENED	AR
28	116279	BUSHING 5/8ID	2	67	651148	P 1/2	AR
29	307010	WASHER/SHIM 1/32 THICK	AR	68	654030	L 1/2	AR
30	116708	RING/EXTERNAL SNAP	1	69	653018	N 1/2	AR
31	116700	PIN/PACKER TINE PIVOT	2	70	071706	LN 1/2	AR
32	076161	RING/EXTERNAL SNAP	2	71	116277	WASHER/FLAT SQ HOLE	AR
33	116713	BAR/COMPRESSION FRONT	1	72	3H55A	SHIM/ROLLER	AR
34	116275 <sub>1</sub>	ARM ASS'Y/INBOARD PACKER	1		124293	WASHER/FLAT	AR
35	124306	BUSHING 1-1/8 ID	2	73	116175	SHIM/0.005	AR
36	051948	RING/EXTERNAL SNAP	1	74	116174	SHIM/0.010	AR
37	116297 <sub>1</sub>	ROD/SPRING RETAINER	1	75	116729	WASHER/SHIM 0.030	AR
38	116300	BUSHING/SHOULDER (SHEAR BOLT)	1	77	116712	WASHER/SPECIAL	AR
39	116305	BRACKET/SPRING RETAINER	1	78	520099	COLLAR/lock	1
40	116280	PIN/INBOARD PACKER TO BRACKET	1				
41	116295	TUBE/SOUND DEADENER	1				

1. Includes Bearing(s) or Bushing(s).

# 3210/3250 – BALER SHEET METAL

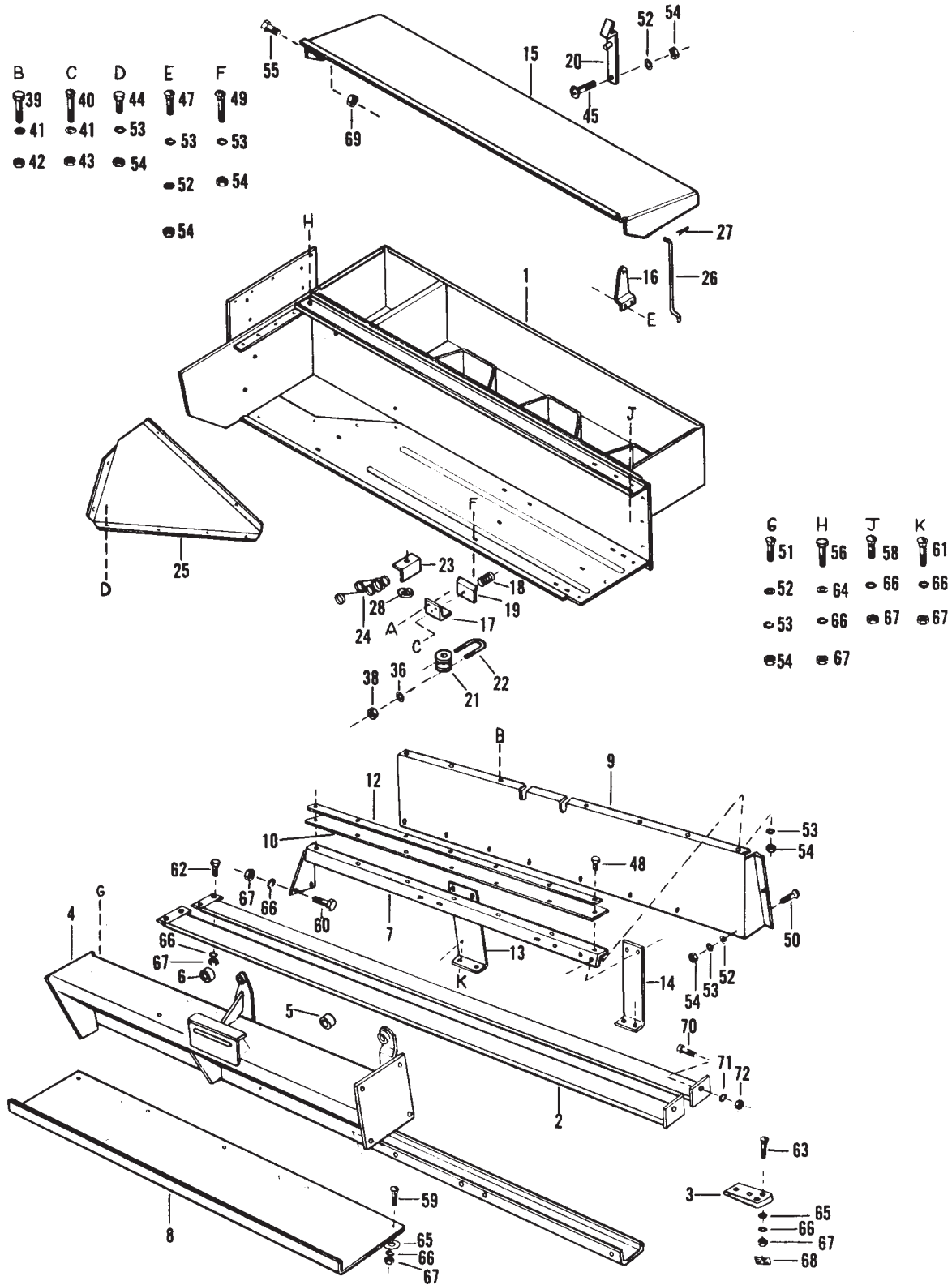


## 3210/3250 – BALER SHEET METAL

Ref. No.	Part No.	Description	Qty. Req.	Ref. No.	Part No.	Description	Qty. Req.
01	124264	COVER/PACKERS (3210)	1	60	650684	PIN/COTTER 3/32X1/2	AR
	116908	COVER/PACKERS (3250)	1	61	650551	PIN/COTTER 3/32X3/4	AR
03	126730	SHIELD ASS'Y	1	62	650663	CS 1/4X5/8	AR
05	116816	DOOR/CHAIN ACCESS	3	63	650863	P 1/4	AR
06	116751	SUPPORT/PACKER COVER ASS'Y	2	66	071700	LN 1/4	AR
07	117221	BRACE/ASS'Y PACKER COVER	1	67	650485	CS 5/16X5/8	AR
16	117310	SHIELD/ASS'Y KNOTTER	1	68	650985	TCS 5/16X3/4	AR
19	124260	STRAP/SUPPORT UPPER	2	69	650687	CB 5/16X3/4	AR
20	124261	STRAP/LOWER	2	70	650573	CB 5/16X1	AR
21	064239	PIN/YOKE	2	71	650487	CS 5/16X1	AR
22	124258	LATCH	2	72	650745	CB 5/16X1-1/4	AR
25	117349	BRACKET/ANCHOR	2	73	654004	P 5/16	AR
26	117350	HOOK/COVER RUBBER	2	74	650810	P 5/16	AR
27	117352	PIN/CLEVIS 1/4 DIA.meter	2	75	654024	L 5/16	AR
35	117291	BUMPER/FUEL TANK	4	76	653007	N 5/16	AR
36	117335	TRIM/MOLDING	4	77	071701	LN 5/16	AR
37	116812	SHIELD/CHAIN	1	78	309347	CLIP NUT	AR
38	117219	PANEL/TRASH	1	79	650450	CS 3/8X5/8	AR
39	117304	SHIELD/ASS'Y	1	80	650790	CB 3/8X3/4	AR
42	116983	GUARD/TRASH	1	81	650488	CS 3/8X3/4	AR
43	124257	BRACKET/SHIELD	1	82	650704	CB 3/8X1	AR
44	124259	BRACE/SWING SHIELD	1	83	650490	CS 3/8X1	AR
45	117351	SHIELD/ASS'Y SWING FRAME	1	84	654049	P 3/8	AR
47	117288	GUARD/ASS'Y	1	85	654006	P 3/8 WIDE	AR
50	117367	SUPPORT/SWING FRAME SHIELD	1	86	654026	L 3/8	AR
51	117223	PLATE/TRASH	1	87	653010	N 3/8	AR
52	116710	SUPPORT/COVER ASS'Y (3250 ONLY)	1	88	071704	LN 3/8	AR

# 3210/3250 – FEED HOUSING AND TWINEBOX

- |     |     |     |     |     |     |
|-----|-----|-----|-----|-----|-----|
| A   | B   | C   | D   | E   | F   |
| ⌘35 | ⌘39 | ⌘40 | ⌘44 | ⌘47 | ⌘49 |
| ●36 | ●41 | ●41 | ●53 | ●53 | ●53 |
| ●37 | ●42 | ●43 | ●54 | ●52 | ●54 |
| ●38 |     |     |     | ●54 |     |



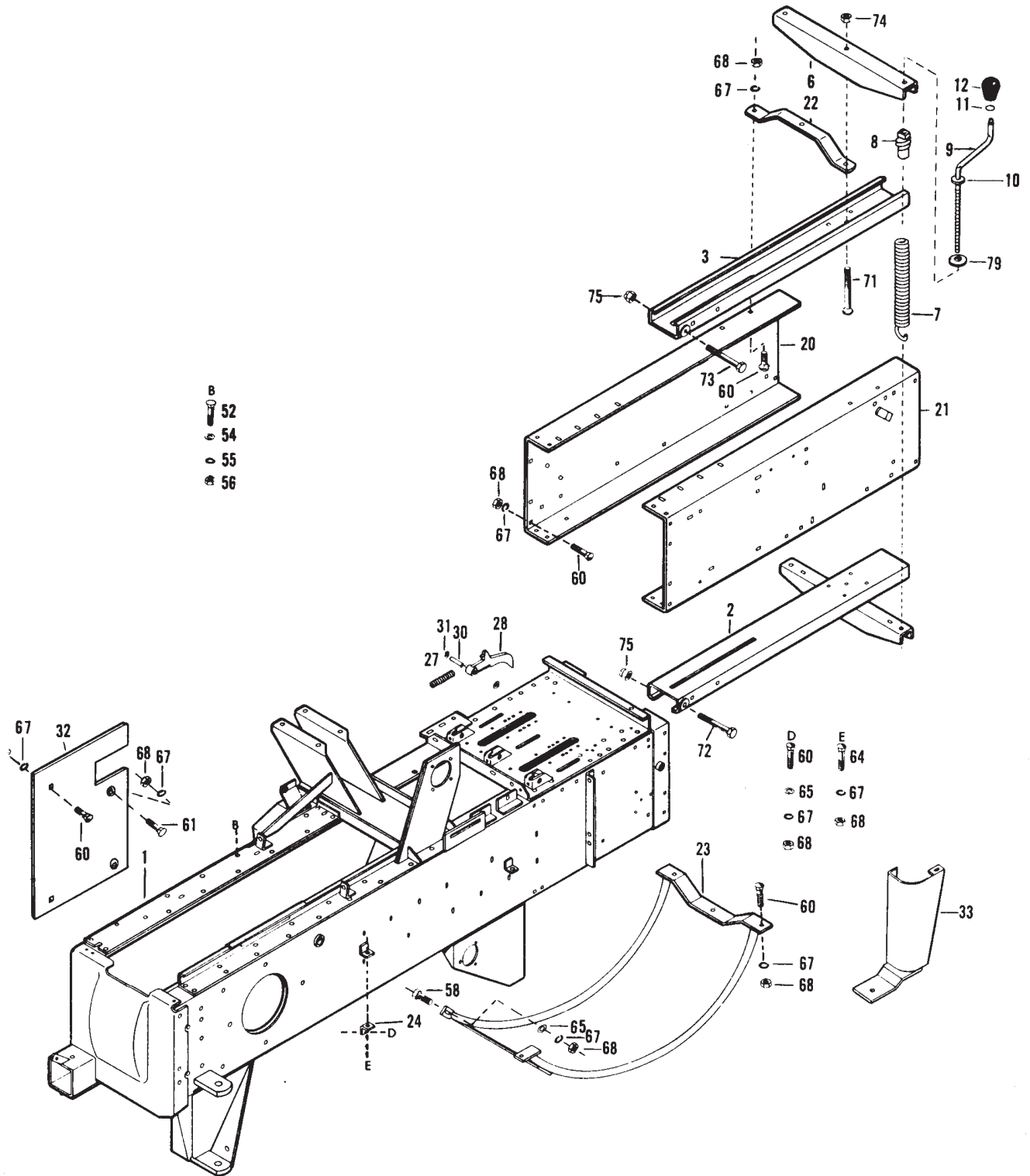
- |     |     |     |     |
|-----|-----|-----|-----|
| G   | H   | J   | K   |
| ⌘51 | ⌘56 | ⌘58 | ⌘61 |
| ●52 | ●64 | ●66 | ●66 |
| ●53 | ●66 | ●67 | ●67 |
| ●54 | ●67 |     |     |



## 3210/3250 – FEED HOUSING AND TWINEBOX

Ref. No.	Part No.	Description	Qty. Req.	Ref. No.	Part No.	Description	Qty. Req.
01	124315	TWINE HOUSING ASS'Y (3210)	1	36	650584	P #10	AR
	116962	TWINE HOUSING ASS'Y (3250)	1	37	650549	L #10	AR
02	116745	RAIL/STRIPPER ASS'Y (3210)	2	38	650550	N #10-24	AR
	116746	RAIL/STRIPPER (3250)	2	39	650448	CB 1/4X3/4	AR
03	116981	DEFLECTOR/HAY	1	40	652140	CB 1/4X2-1/2	AR
04	116943 <sub>1</sub>	FRAME/PACKER SUPPort ASS'Y (3210)	1	41	650863	P 1/4	AR
	126049 <sub>1</sub>	FRAME/PACKER SUPPort ASS'Y (3250)	1	42	653005	N 1/4	AR
05	116285	BEARING/COMPRESSION ROD	1	43	071700	LN 1/4	AR
06	116279	BEARING/COMPRESSION ROD	1	44	650485	CS 5/16X5/8	AR
07	124322	SUPporT ASS'Y PACKER REAR (3210)	1	45	650949	TFS 5/16X3/4	AR
	116990	SUPporT/ ASS'Y PACKER REAR (3250)	1	47	650437	CB 5/16X5/8	AR
08	116284	PLATE/PRESSURE (3210)	1	48	650486	CS 5/16X3/4	AR
	116716	PLATE/PRESSURE (3250)	1	49	650687	CB 5/16X3/4	AR
09	124341	PANEL/ASS'Y TRASH (3210)	1	50	650573	CB 5/16X1	AR
	126203	PANEL/ASS'Y TRASH (3250)	1	51	650573	CB 5/16X1	AR
10	124326	BAFFLE/TRASH (3210)	1	52	650810	P 5/16	AR
	116988	BAFFLE/TRASH (3250)	1	53	654024	L 5/16	AR
12	124325	STRIP/TRASH (3210)	1	54	653007	N 5/16	AR
	116995	STRIP/TRASH (3250)	1	55	650488	CS 3/8X3/4	AR
13	116987	SUPPORT/RAIL RT	1	56	650489	CS 3/8X7/8	AR
14	116986	SUPPORT/RAIL LT	1	58	652154	CB 3/8X7/8	AR
15	124311	COVER/TWINE ASS'Y (3210)	1	59	650790	CB 3/8X3/4	AR
	116928	COVER/TWINE ASS'Y (3250)	1	60	650490	CS 3/8X1	AR
16	116944	BRACKET/HINGE	2	61	650704	CB 3/8X1	AR
17	116921	TWINE/TIGHTENER TOP	1	62	650533	CS 3/8X1-1/2	AR
18	117214	SPRING/COMPRESSION	1	63	650773	CB 3/8X1-1/2	AR
19	117208	BASE/TWINE TIGHTENER	1	64	654049	P 3/8	AR
20	116984	LATCH/ASS'Y	1	65	117202	WASHER/SQUARE 7/16	AR
21	059721	GUIDE/ROPE	1	66	654026	L 3/8	AR
22	126192	U-BOLT	1	67	653010	N 3/8	AR
23	116954	BRACKET/ASS'Y	1	68	117202	NUT/FLAT SPRING	AR
24	116982	SPRING/TWINE TAKE UP	1	69	071704	LN 3/8	AR
25	116961	PLATE/DEFLECTOR TWN BOX	1	70	650495	CS 1/2X1-1/4	AR
26	116941	ROD/COVER SUPPORT	1	71	654030	L 1/2	AR
27	651159	PIN/COTTER 3/32X1	1	72	653018	N 1/2	AR
28	116852	WASHER	1				
35	650548	RHMS#10-24X1/2	AR	1.	Includes Items 5 & 6.		

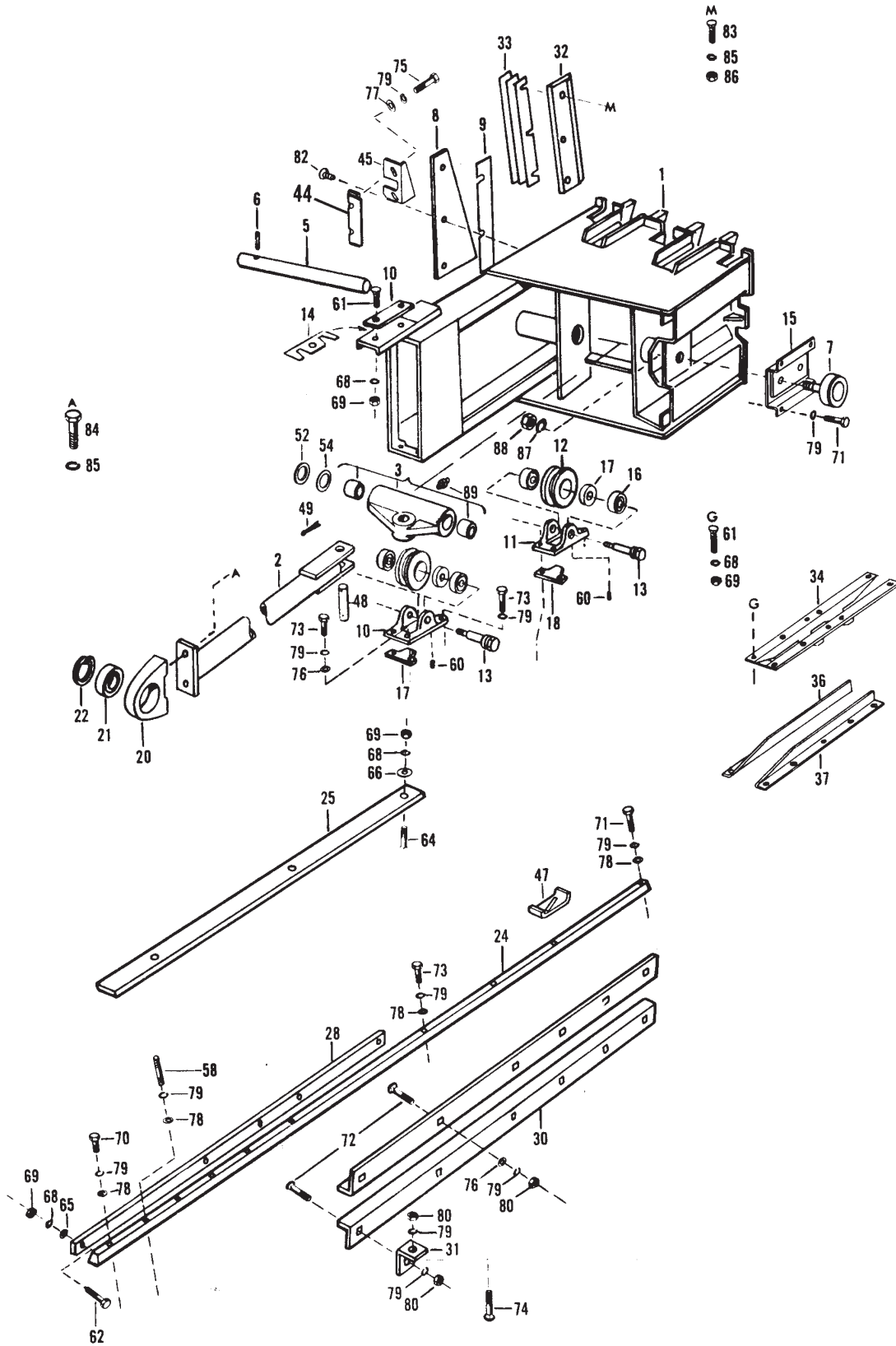
# 3210/3250 – BALE CHAMBER



## 3210/3250 – BALE CHAMBER

Ref. No.	Part No.	Description	Qty. Req.	Ref. No.	Part No.	Description	Qty. Req.
01	116397	CHAMBER/BALE ASS'Y .....	1	32	116373	PLATE/HAY DEFLECTOR .....	1
02	117301	BAR/ASS'Y TENSION .....	1	33	116937	SHIELD/CORNER ASS'Y .....	1
03	117303	BAR/TENSION .....	1	52	652120	PB5/16X1-1/4 .....	AR
06	117379	SUPPORT/TENSION UPPER .....	1	54	069752	WASHER .....	AR
07	124249	SPRING/EXTENSION .....	2	55	654024	L 5/16 .....	AR
08	117399	PLUG/TENSION SPRING .....	2	56	653007	N 5/16 .....	AR
09	117395	HANDLE/ASS'Y TENSIONER .....	2	58	650490	CS 3/8X1 .....	AR
10	117396	WASHER/FLAT .....	1	60	650704	CB 3/8X1 .....	AR
11	117393	RING/RETAINER EXTERNAL .....	2	61	652159	PB3/8X1-1/4 .....	AR
12	117394	KNOB .....	2	64	650860	CB 3 8X1-3/4 .....	AR
20	117285	BALE/FORMER ASS'Y RT .....	1	65	124298	WASHER/FLAT .....	AR
21	117330	BALE/FORMER ASS'Y .....	1	67	654026	L 3/8 .....	AR
22	117378	STRAP/FORMING SIDE .....	1	68	653010	N 3/8 .....	AR
23	117295	NEEDLE/GUARD ASS'Y .....	1	71	651063	CB 1/2X6 .....	AR
24	116363	ANGLE/ADJUSTING .....	2	72	650498	CS 1/2X6 .....	AR
27	116365	SPRING/HAY CHECK .....	5	73	650886	CS 1/2X6-1/2 .....	AR
28	116366	CHECK/HAY .....	5	74	071709	LN 5/8 .....	AR
30	116354	PIN/PLAIN DOWEL .....	5	75	071706	LN 1/2 .....	AR
31	116362	RING/RETAINING EXTERNAL .....	10	79	117380	WASHER .....	AR

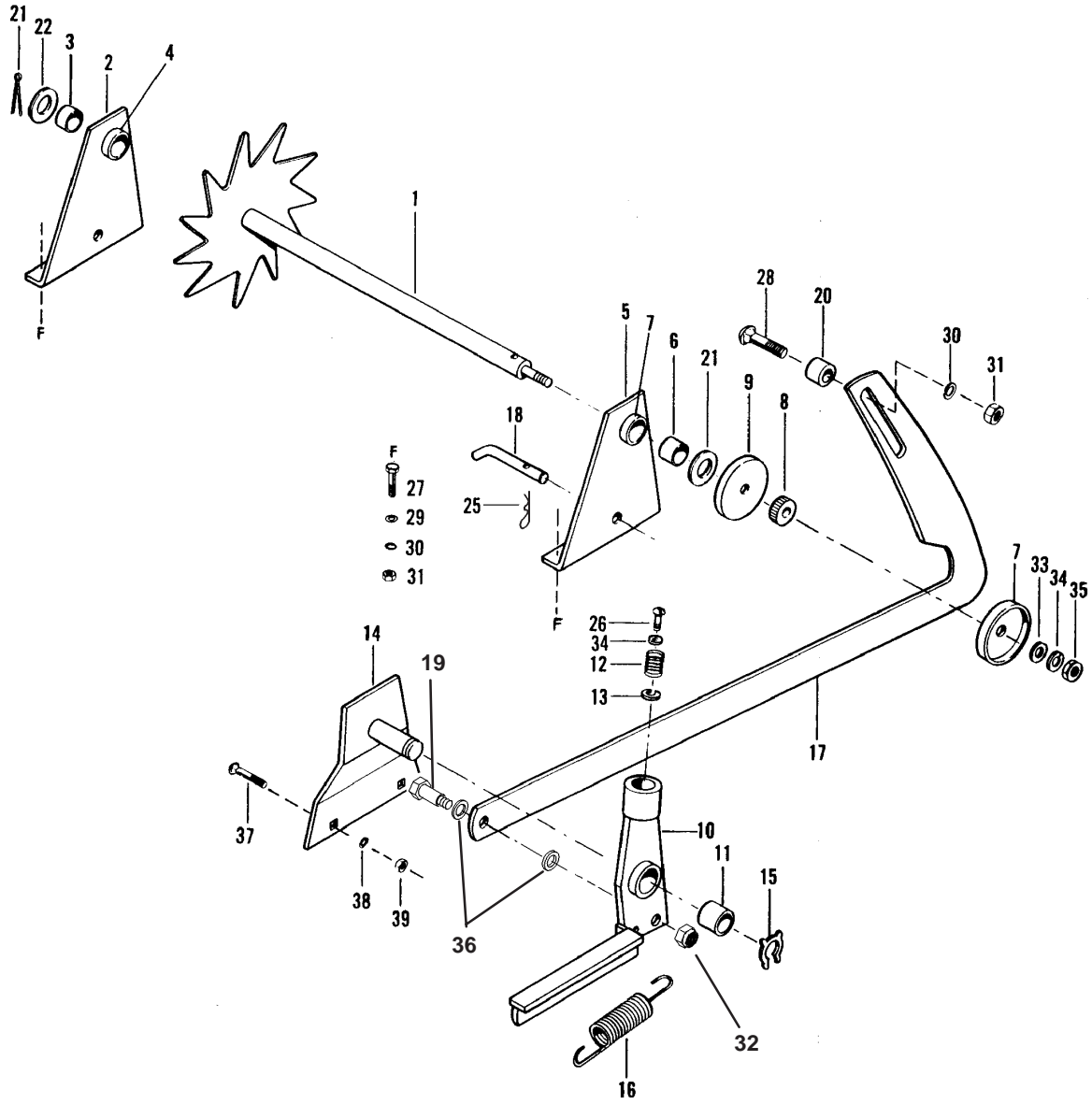
# 3210/3250 – PLUNGER



## 3210/3250 – PLUNGER

Ref. No.	Part No.	Description	Qty. Req.	Ref. No.	Part No.	Description	Qty. Req.
01	116214	PLUNGER/BALER ASS'Y	1	47	116376	PLATE/ADJUSTING	1
02	116257	PITMAN/PLUNGER ASS'Y	1	48	116252	PIN/PLUNGER	1
03	116253	HOUSING/PLUNGER ASS'Y	1	49	655020	PIN/COTTER 3/16X1-1/2	2
05	116263	PIN/WRIST	1	52	116040	SHIM/0.005	AR
06	126034	PIN/SPIRAL	1		116041	SHIM/0.015	AR
07	116213	ROLLER/PLUNGER (2 USED ON 3250)	1	54	116729	WASHER/SHIM 0.030	AR
08	116261	KNIFE/PLUNGER (3210)	1		400-32412	WASHER/SHIM 0.060	AR
	116262	KNIFE/PLUNGER (3250)	1	58	116351	BOLT/STUD .38	8
09	116251	SHIM	AR	60	651283	SHSS 1/4X1/2	AR
10	116250	PLATE	1	61	651014	PB 5/16X3/4	AR
11	116207	SUPPORT/ROLLER ASS'Y	2	62	650370	FSHCS 5/16X1	AR
12	116205	GUIDE/ROLLER	2	63	650573	CB 5/16X1	AR
13	116206	PIN/ROLLER	2	64	652120	PB 5/16X1-1/4	AR
14	117225	SHIM/WEAR PAD	AR	65	650810	P 5/16	AR
	117226	SHIM/WEAR PAD	AR	66	067952	WASHER	AR
15	116210	BRACKET/ROLLER MOUNT ASS'Y (3210)	1	68	654024	L 5/16	AR
	116248	BRACKET/ROLLER MOUNT ASS'Y (3250)	1	69	653007	N 5/16	AR
16	304154	BEARING	4	70	650489	CS 3/8X7/8	AR
17	116204	SPACER	2	71	650490	CS 3/8X1	AR
18	116264	SCRAPER/ROLLER	2	72	650704	CB 3/8X1	AR
20	116272	HOUSING/BEARING	1	73	650491	CS 3/8X1-1/4	AR
21	077976	BEARING/PITMAN	1	74	650860	CB 3/8X1-3/4	AR
22	116271	RING/RETAINING EXTERNAL	1	75	650579	CS 3/8X1-3/4	AR
24	116350	RAIL/ROLLER	1	76	654049	P 3/8	AR
25	116393	RUNNER/RT UPPER	1	77	654006	P 3/8 WIDE	AR
28	116364	RUNNER/BOTTOM RT	1	78	071788	WASHER	AR
30	116357	bracket ass'y/SIDE rail	2	79	654026	L 3/8	AR
31	116363	ANGLE/ADJUSTING	2	80	653010	N 3/8	AR
32	116368	BLADE/SHEAR (3210)	1	82	650358	FSHCS 1/2X1	AR
	116369	BLADE/SHEAR (3250)	1	83	650926	PB 1/2X1-1/2	AR
33	116360	SHIM/KNIFE 0.005	AR	84	650495	CS 1/2X1-1/4	AR
	116361	SHIM/KNIFE 0.020	AR	85	654030	L 1/2	AR
34	117266	GUIDE/CROP ASS'Y TOP	2	86	653018	N 1/2	AR
36	116374	GUIDE/CROP BOTTOM RT	2	87	654034	L 3/4	AR
37	116375	GUIDE/CROP BOTTOM LT	2	88	653053	NUT/JAM 3/4NF	AR
45	116268	ANGLE/KNIFE BRACE	1	89	570009	FITTING/GREASE	AR

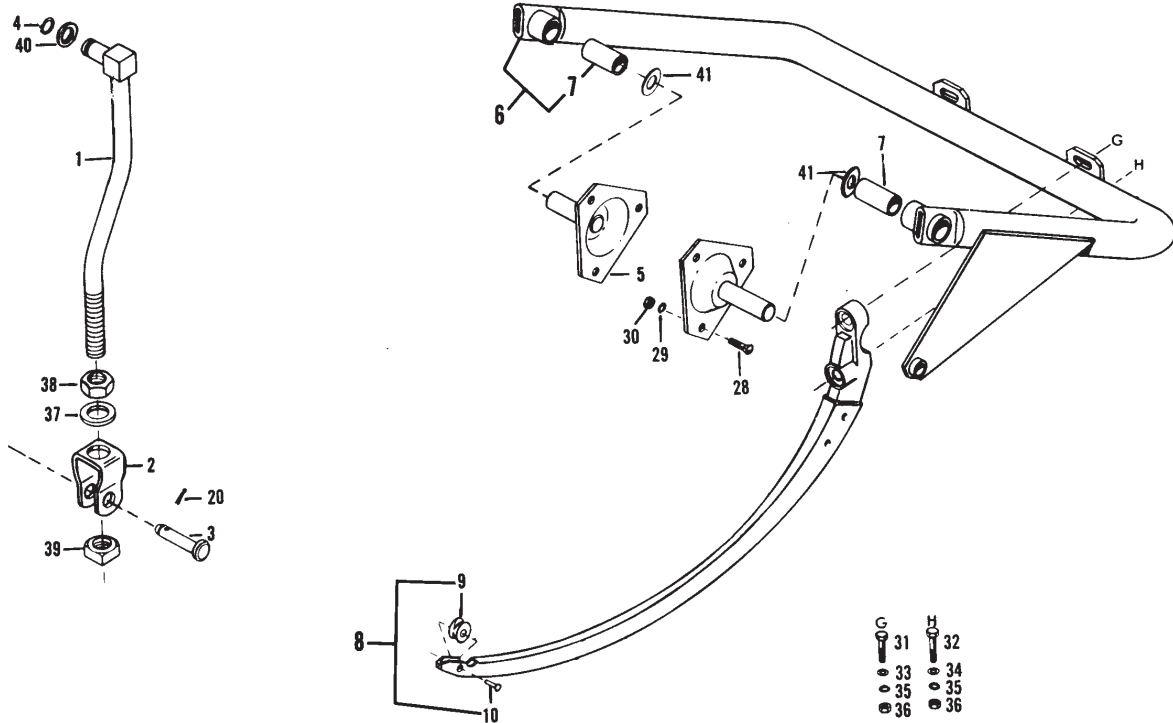
# 3210/3250 – METERING WHEEL



## 3210/3250 – METERING WHEEL

Ref. No.	Part No.	Description	Qty. Req.	Ref. No.	Part No.	Description	Qty. Req.
01	117373	SHAFT/METERING/WHEEL ASS'Y . . . . .	1	21	655048	PIN/COTTER 5/32X1-1/4 . . . . .	2
02	117371	BRACKET/ASS'Y METERING WHEEL . .	1	22	654051	WASHER/PLAIN NARROW 3/4 . . . . .	2
03	068071	BEARING/SINTERED . . . . .	2	25	076100	PIN/hairpin cotter . . . . .	AR
05	117372	BRACKET/ASS'Y METERING WHEEL . .	1	26	650943	THMS 1/4X1/2 . . . . .	AR
08	117370	ROLLER . . . . .	1	27	650687	CB 5/16X3/4 . . . . .	AR
09	117369	WASHER . . . . .	2	28	650745	CB 5/16X1-1/4 . . . . .	AR
10	116196	ARM/METERING PIVOT ASS'Y . . . . .	1	29	650810	P 5/16 . . . . .	AR
11	116202	BEARING/NYLON . . . . .	1	30	654024	L 5/16 . . . . .	AR
12	116195	SPRING/KNOTTER JAW CAM . . . . .	1	31	653007	N 5/16 . . . . .	AR
13	116197	WASHER/SPECIAL . . . . .	1	32	071701	LN 5/16 . . . . .	AR
14	116198	SUP/METERING ARM PIVOT . . . . .	1	33	654049	P 3/8 . . . . .	AR
15	116201	WASHER . . . . .	1	34	654026	L 3/8 . . . . .	AR
16	117243	SPRING/EXTENSION . . . . .	1	35	653010	N 3/8 . . . . .	AR
17	117377	ARM/METER WHEEL . . . . .	1	36	117376	P 7/16 . . . . .	AR
18	117368	STOP/METERING ARM . . . . .	1	37	650811	CB 1/2X1 . . . . .	AR
19	117375	BOLT/SHOULDER . . . . .	1	38	654030	L 1/2 . . . . .	AR
20	117374	SPACER/METER WHEEL . . . . .	1	39	653018	N 1/2 . . . . .	AR

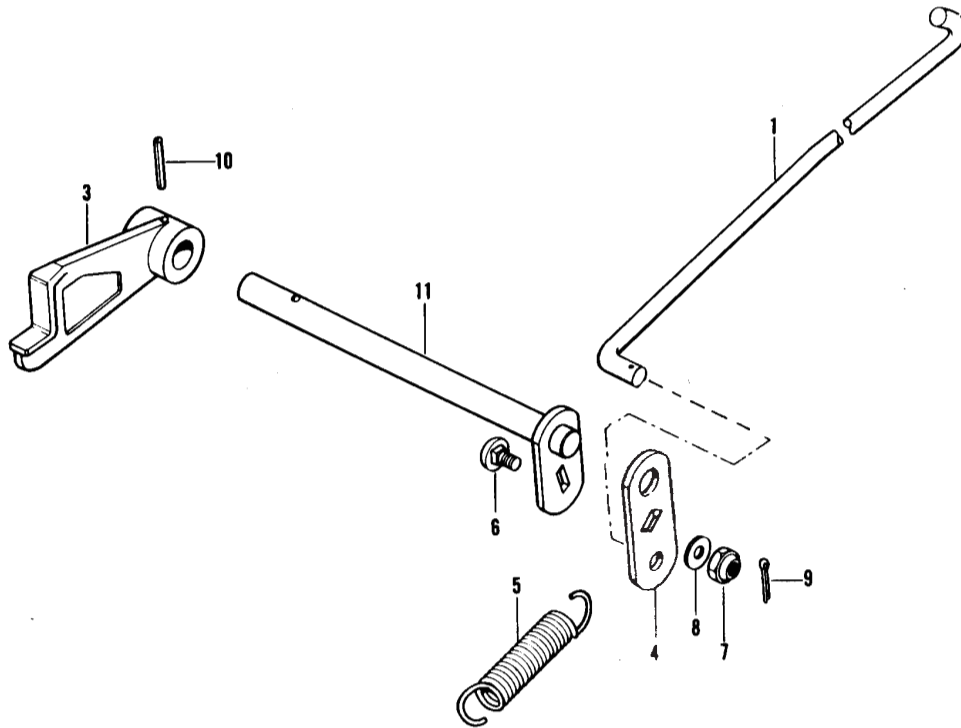
# 3210/3250 – NEEDLES



Ref. No.	Part No.	Description	Qty. Req.	Ref. No.	Part No.	Description	Qty. Req.
01	117254	CONNECTOR/SWING FRAME	1	31	650850	CS 1/2X2-3/4	AR
02	117255	CLEVIS/SWING FRAME	1	32	650454	CS 1/2X3-3/4	AR
03	117256	PIN/CLEVIS 1/2X1-3/4	1	33	651148	P 1/2	AR
04	073453	RING/RETAINING	1	34	062255	WASHER/HARDENED	AR
05	116381	BRACKET/SWING FRAME ASS'Y	2	35	654030	L 1/2	AR
06	116144 <sub>1</sub>	FRAME/SWING ASS'Y (TWINE)	1	36	653018	N 1/2	AR
07	116150	BEARING/SLEEVE	2	37	654051	WASHER/PLAIN NARROW 3/4	AR
08	116153 <sub>2</sub>	NEEDLE/SWING FRAME ASS'Y	2	38	650857	NUT/JAM 3/4	AR
09	116154	GUIDE/NEEDLE EYE	1	39	651285	NUT/SQUARE 3/4	AR
10	116055	RIVET 1/4X1	1	40	117240	WASHER/FLAT	AR
20	650878	PIN/COTTER 5/32X1	AR	41	116352	WASHER/FLAT	AR
28	651066	CB 3/8X3/4	AR				
29	654026	L 3/8	AR				
30	653010	N 3/8	AR				
				1.		Includes Bushings.	
				2.		Includes Items 9 & 10.	

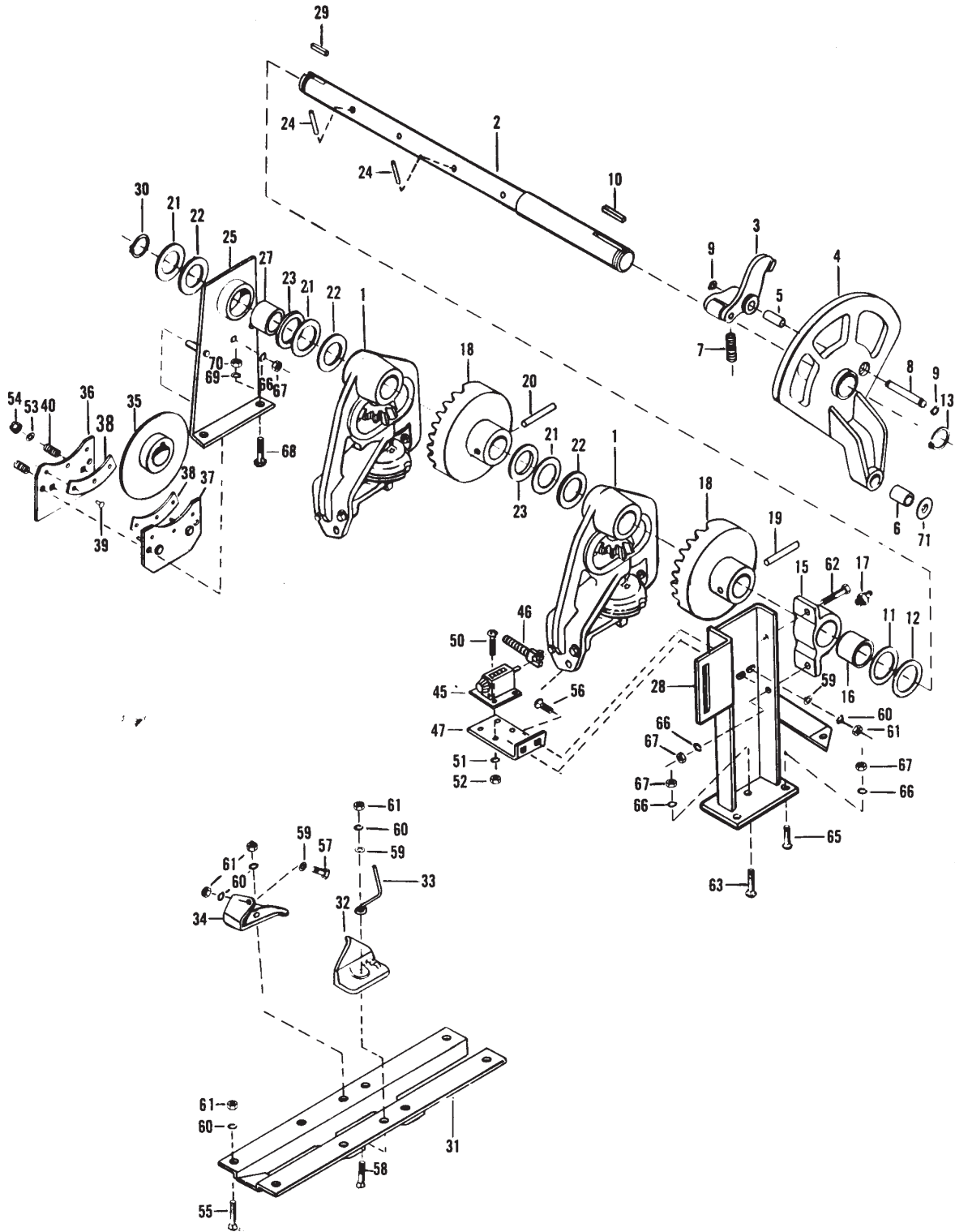


# 3210/3250 – PLUNGER SAFETY STOP



Ref. No.	Part No.	Description	Qty. Req.	Ref. No.	Part No.	Description	Qty. Req.
01	116348	ROD/STOP DOG TWINE .....	1	07	071706	LN 1/2 .....	1
03	116355	DOG/PLUNGER STOP .....	1	08	651148	P 1/2 .....	2
04	116347	ARM/PLUNGER STOP .....	1	09	655016	PIN/COTTER 3/16X1 .....	1
05	116380	SPRING/EXTENSION .....	1	10	116353	PIN/SPIRAL .....	1
06	650527	CB 1/2X1-1/4 .....	1	11	116377	SHAFT/PLUNGER STOP ASS'Y .....	1

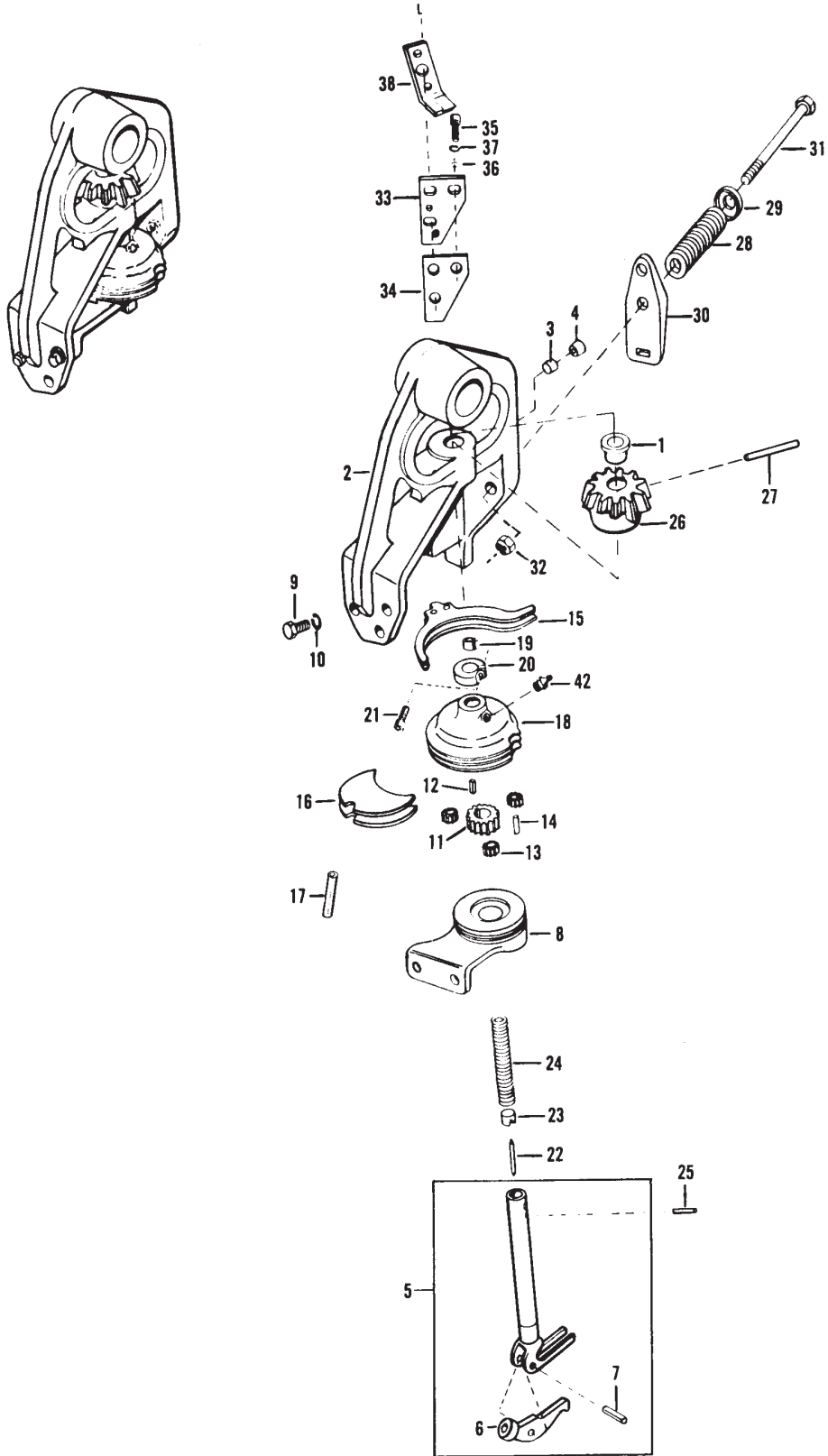
# 3210/3250 – TWINE KNOTTER AND CONTROLS



## 3210/3250 – TWINE KNOTTER AND CONTROLS

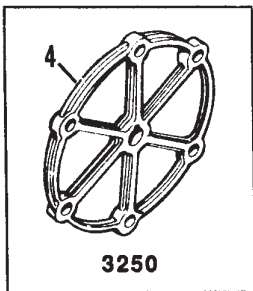
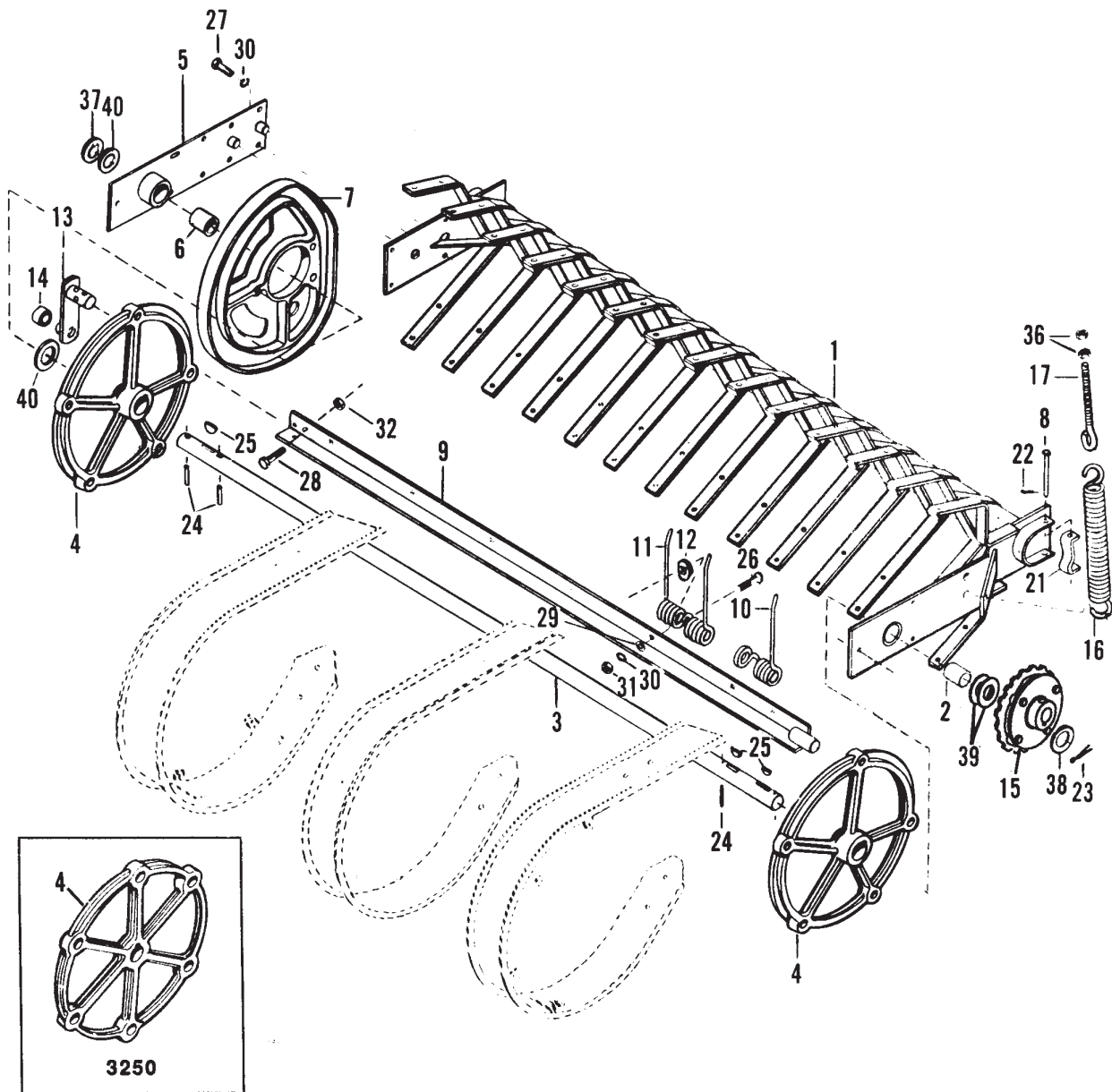
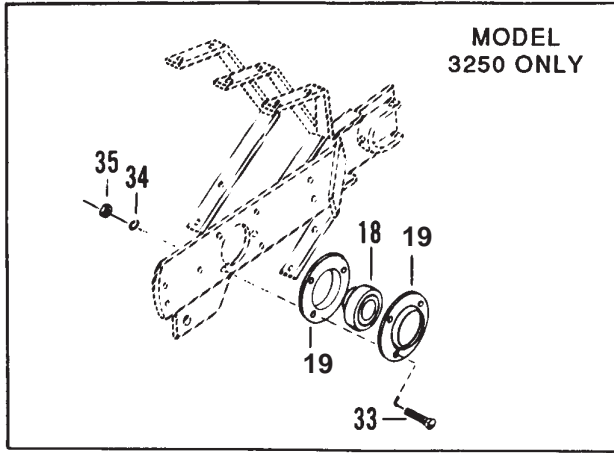
Ref. No.	Part No.	Description	Qty. Req.	Ref. No.	Part No.	Description	Qty. Req.
01	116058 <sub>1</sub>	KNOTTER/ASSEMBLY .....	2	37	116042 <sub>3</sub>	PAD/BRAKE ASS'Y OUTER .....	1
02	116002	SHAFT/KNOTTER .....	1	38	116044	LINING/BRAKE .....	2
03	116099	DOG/CLUTCH ASS'Y .....	1	39	116043	RIVET/SPECIAL .....	6
04	116029	HOUSING/CLUTCH .....	1	40	116056	SPRING/COMPRESSION .....	2
05	116032	BUSHING/NYLON .....	1	45	126718	COUNTER ASS'y/BALE .....	1
06	116031	SLEEVE/BEARING .....	1	46	126719	LEVER/ASS'Y .....	1
07	116038	SPRING/LATCH .....	1	47	117233	BRACKET/BALE COUNTER .....	1
08	116036	PIN/KNOTTER CLUTCH .....	1	50	651212	RHMS #5X1/2 .....	AR
09	116035	RING/RETAINING EXTERNAL .....	2	51	654044	L #6 .....	AR
10	124290	KEY/RECTANGULAR .....	1	52	651213	N #5 .....	AR
11	116022	WASHER 1/32 THICK .....	AR	53	650863	P 1/4 .....	AR
12	125857	WASHER/SHIM .....	AR	54	210-10654	LN 1/4NF .....	AR
13	116187	RING/EXTERNAL RETAINING 1.31 .....	1	55	651014	PB 5/16X3/4 .....	AR
15	116004 <sub>2</sub>	HOUSING/BEARING ASS'Y LT .....	1	56	650573	CB 5/16X1 .....	AR
16	116007	BEARING/SLEEVE .....	1	57	650545	CS 5/16X1-1/4 .....	AR
17	570019	FITTING/GREASE .....	1	58	652120	PB 5/16X1-1/4 .....	AR
18	116050	GEAR/KNOTTER BEVEL .....	2	59	650810	P 5/16 .....	AR
19	124330	PIN/SPIRAL (HEAVY DUTY) .....	1	60	654024	L 5/16 .....	AR
20	124331	PIN/SPIRAL (HEAVY DUTY) .....	1	61	653007	N 5/16 .....	AR
21	116040	SHIM/0.005 .....	AR	62	650490	CS 3/8X1 .....	AR
22	116041	SHIM/0.015 .....	AR	63	650704	CB 3/8X1 .....	AR
23	400-32412	WASHER SPECIAL .....	2	64	651067	CB 3/8X1 .....	AR
24	078262	PIN/SPRING .....	2	65	650786	CB 3/8X1-1/4 .....	AR
25	116023	BRACKET/KNOTTER ASS'Y .....	1	66	654026	L 3/8 .....	AR
27	045-13815	BUSHING .....	1	67	653010	N 3/8 .....	AR
28	116008	SUPPORT/SHAFT ASS'Y KNOTTER .....	1	68	650527	CB 1/2X1-1/4 .....	AR
29	124291	KEY/RECTANGULAR .....	1	69	654030	L 1/2 .....	AR
30	047854	RING/RETAINING .....	1	70	653018	N 1/2 .....	AR
31	117266	GUIDE/CROP ASS'Y TOP .....	1	71	117240	WASHER/FLAT .....	AR
32	117263	FINGER/TWINE LT .....	2	<ol style="list-style-type: none"> <li>1. For breakdown, see pages titled TWINE KNOTTER ASSEMBLY.</li> <li>2. Includes Bushing(s).</li> <li>3. Includes Items 38 &amp; 39.</li> </ol>			
33	117265	EXTENSION/TWINE FINGER .....	2				
34	117264	FINGER/TWINE RT .....	2				
35	116047	DISC/BRAKE ASS'Y KNOTTER .....	1				
36	116052 <sub>3</sub>	PAD/BRAKE ASS'Y INNER .....	1				

# 3210/3250 – TWINE KNOTTER ASSEMBLY



## 3210/3250 – TWINE KNOTTER ASSEMBLY

Ref. No.	Part No.	Description	Qty. Req.	Ref. No.	Part No.	Description	Qty. Req.
01	116057	PLUG/TAPERED CAP .....	2	21	651267	SHCS #8-36X1/2 .....	1
	116058	KNOTTER/ASSEMBLY .....	REF	22	116071	ROD/BILL HOOK .....	1
02	116085	FRAME/KNOTTER .....	1	23	116070	PISTON/BILL HOOK .....	1
03	116084	PLUG/FELT .....	1	24	116069	SPRING/BILL HOOK .....	1
04	116086	PLUG/KNOTTER FRAME .....	1	25	116082	PIN/SPRING RETAINER .....	1
05	116074	HOOK/ASSY/BILL COMPLETE .....	1	26	116095	PINION/KNOTTER .....	1
06	116076	JAW/ASS'Y BILL HOOK .....	1	27	116083	PIN/SPIRAL .....	1
07	116075	PIN/SPIRAL .....	1	28	116088	SPRING/COMPRESSION .....	1
08	116073	BRACKET/BILL HOOK .....	1	29	116087	WASHER/SPECIAL .....	1
09	650634	CS 3/8NFX1 .....	2	30	116089	LEVER/TWINE RETAINER .....	1
10	654026	L 3/8 .....	2	31	651268	CS 1/4NFX3 .....	1
11	116072	GEAR/BILL HOOK .....	1	32	210-10654	LN 1/4NF .....	1
12	116059	KEY/BILL HOOK GEAR .....	1	33	116096	PLATE/KNIFE LOCATING .....	1
13	116066	GEAR/KNOTTER IDLER .....	3	34	116097	SHIM/KNIFE .....	AR
14	116067	PIN/DOWEL .....	3	35	650006	CS 1/4X7/8 .....	2
15	116090	RETAINER ASSY/CORD TWINE .....	1	36	650863	P NARROW 1/4 .....	3
16	116068	CLEANER/TWINE DISC .....	2	37	654022	L 1/4 .....	3
17	116060	PIN/SPIRAL .....	1	38	116098	KNIFE/KNOTTER .....	1
18	116062 <sub>1</sub>	DISC ASSY/CORD TWINE .....	1	39	650448	CS 1/4X3/4 .....	1
19	116064	BUSHING/BRONZE .....	1	42	570019	FITTING/GREASE .....	2
20	116061	COLLAR .....	1	1.	Includes Bushing(s).		

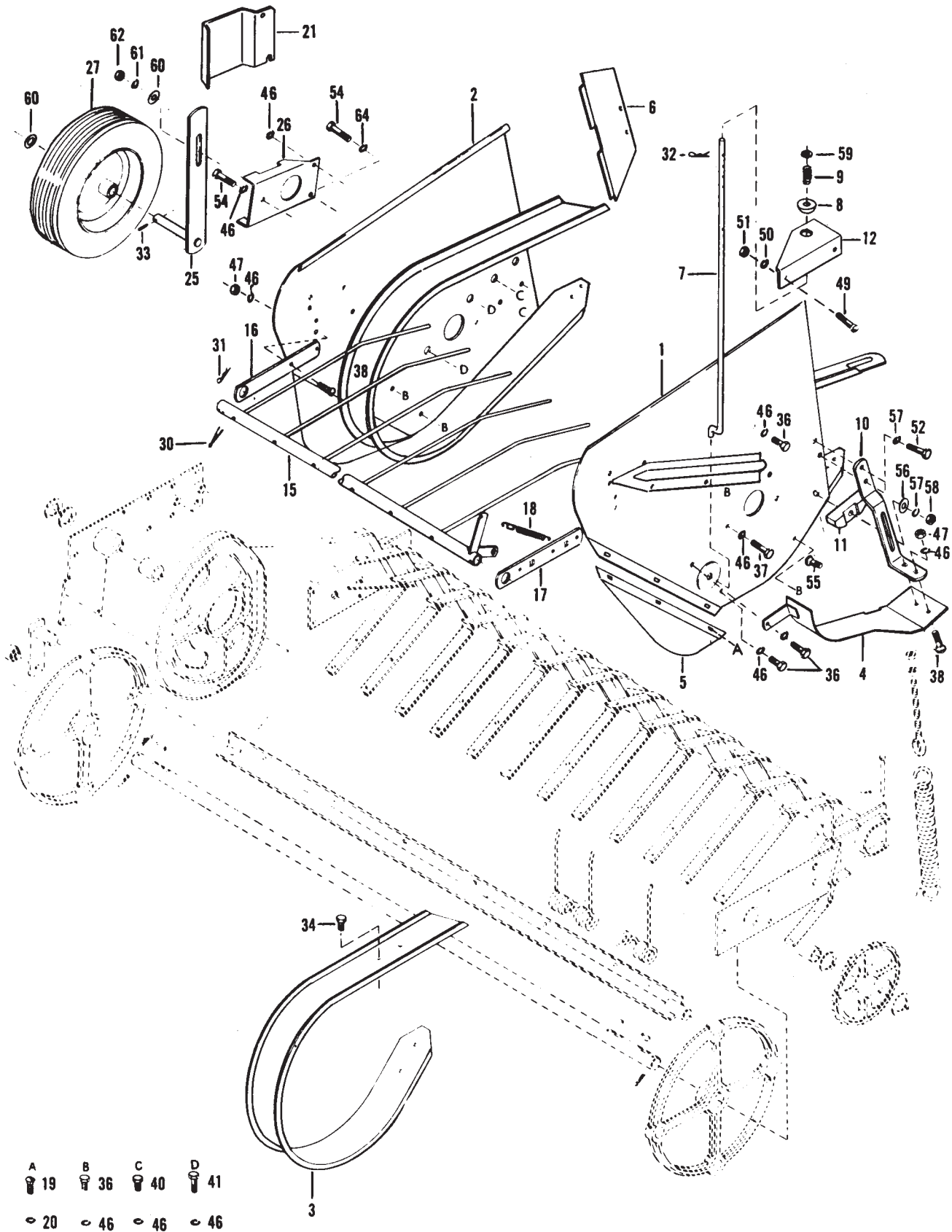


## 3210/3250 – PICKUP

Ref. No.	Part No.	Description	Qty. Req.	Ref. No.	Part No.	Description	Qty. Req.
01	116826	MOUNT/STRIPPER ASS'Y 5 BAR (3210)	1	18	520157	BEARING/BALL (3250 ONLY)	1
	116895	MOUNT/STRIPPER ASS'Y 6 BAR (3250)	1	19	010-10214	FLANGETTE (3250 ONLY)	2
02	116491	BEARING/SLEEVE	1	21	117251	BRACKET/PICKUP CLAMP	2
03	116849	SHAFT (3210)	1	22	650553	PIN/COTTER 1/8X3/4	AR
	116899	SHAFT/DRIVE (3250)	1	23	655020	PIN/COTTER 3/16X1-1/2	AR
04	116824	SPIDER/5-BAR PICKUP ASS'Y (3210)	2	24	126027	PIN/SPIRAL	AR
	116900	SPIDER/PICKUP ASS'Y 6 BAR (3250)	2	25	651266	KEY/WOODRUFF 3/16X1-1/4	AR
05	116843 <sub>1</sub>	ARM/ASS'Y RT (3210)	1	26	650573	CB 5/16X1	AR
	116892 <sub>1</sub>	ARM/ASS'Y RT (3250)	1	27	650487	CS 5/16X1	AR
06	116491	BEARING/SLEEVE	1	28	650692	CS 5/16X1-3/4	AR
07	116847	CAM/PICKUP	1	29	654004	P 5/16	AR
08	117261	PIN/CLEVIS (SPECIAL)	2	30	654024	L 5/16	AR
09	116853	BAR/PICKUP ASS'Y (3210)	5	31	653007	N 5/16	AR
	116903	BAR/PICKUP ASS'Y (6 BAR) (3250)	6	32	071701	LN 5/16	AR
10	116856	FINGER/PICKUP END (3210)	5	33	650704	CS 3/8X1 (3250 ONLY)	AR
		(6 used on 3250)		34	654026	L 3/8 (3250 ONLY)	AR
11	116857	FINGER/PICKUP (3210)	40	35	653010	N 3/8 (3250 ONLY)	AR
		(60 used on 3250)		36	653015	N 7/16	AR
12	116852	WASHER (3210)	45	37	116864	WASHER 1-1/8X1-7/8X1/16	AR
		(66 used on 3250)		38	654049	P 3/8	AR
13	116859	CRANK/PICKUP CAM ASS'Y (3210)	5	39	H8330	WASHER/SHIM	AR
		(6 used on 3250)		40	116866	WASHER/FLAT	AR
14	116863	BEARING/SEALED (3210)	5				
		(6 used on 3250)					
15	116880 <sub>2</sub>	CLUTCH/ASS'Y OVERRUNNING	1				
16	117237	SPRING/EXTENSION	1				
17	117239	BOLT/EYE (3210)	1				
		(2 used on 3250)					

1. Includes Bushing, Item 6.
2. For breakdown, see page titled PICKUP overrunning CLUTCH ASSEMBLY.

3210/3250 – PICKUP SHEET METAL, WINDGUARD AND GAUGE WHEEL



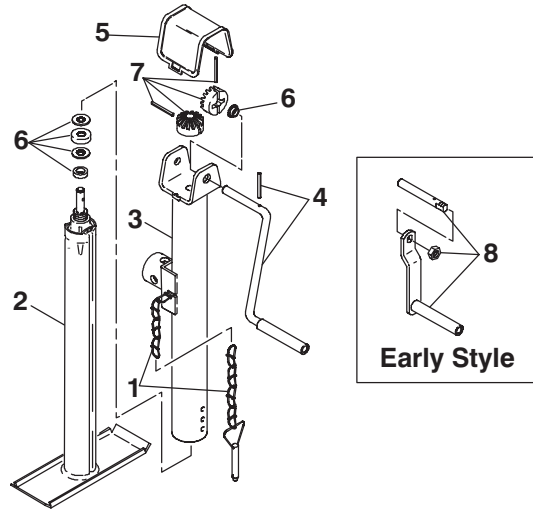
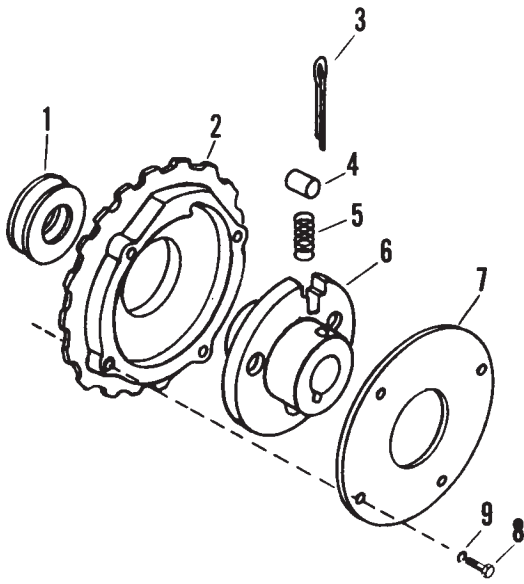
- |    |    |    |    |
|----|----|----|----|
| A  | B  | C  | D  |
| 19 | 36 | 40 | 41 |
| 20 | 46 | 46 | 46 |



## 3210/3250 – PICKUP SHEET METAL, WINDGUARD AND GAUGE WHEEL

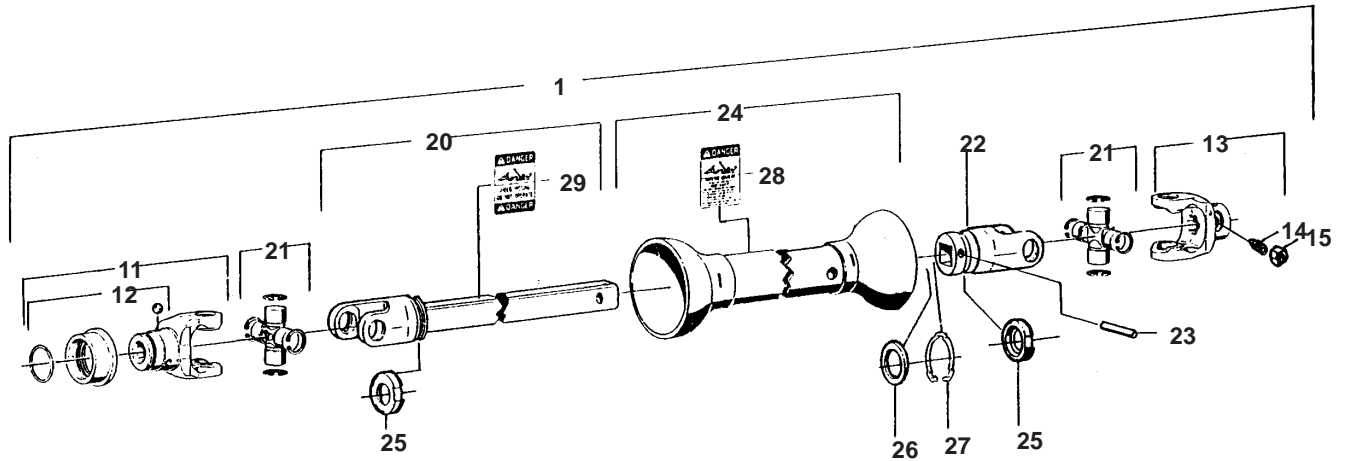
Ref. No.	Part No.	Description	Qty. Req.	Ref. No.	Part No.	Description	Qty. Req.
01	116890	SIDE/PICKUP ASS'Y LT	1	31	B11245	PIN/HAIR 11/64X3-3/4	AR
02	116867	SIDE/PICKUP ASS'Y RT	1	32	117241	PIN/HAIR COTTER	AR
03	116879	STRIPPER/PICKUP	20	33	13E24	PIN/CLUTCH LIFT	AR
04	117247	SHIELD/ASS'Y PICKUP	1	34	650542	CS 1/4X1/2	AR
05	117238	FLARE/PICKUP	1	36	650484	CS 5/16X1/2	AR
06	116875	PLATE/FILLER PICKUP	1	37	650485	CS 5/16X5/8	AR
07	117244	ROD/SUPPORT	1	38	650687	CB 5/16X3/4	AR
08	117176	RETAINER/ROD	1	40	650487	CS 5/16X1	AR
09	117116	SPRING/COMPRESSION	1	41	650545	CS 5/16X1-1/4	AR
10	116865	BRACKET	1	46	654024	L 5/16	AR
11	116889	BLOCK/TIGHTENER	1	47	653007	N 5/16	AR
12	116394	BRACKET/ASS'Y ROD SUPPORT	1	49	650704	CB 3/8X1	AR
15	124270	WINDGUARD/ASS'Y 5-BAR (3210)	1	50	654026	L 3/8	AR
	117209	WINDGUARD/ASS'Y 6-BAR (3250)	1	51	653010	N 3/8	AR
16	116916	ARM/RIGHT	1	52	650819	CS 7/16X1	AR
17	116288	ARM/LEFT	1	54	650451	CS 7/16X1-1/4	AR
18	117207	SPRING/WINDGUARD	1	55	652078	CB 7/16X2	AR
19	651066	CB 3/8X3/4	3	56	654046	P 7/16	AR
20	654026	L 3/8	3	57	654028	L 7/16	AR
21	116888	SHIELD/SHAFT	1	58	653015	N 7/16	AR
25	116819	ARM/ASS'Y GAUGE WHEEL	1	59	654009	P 1/2	AR
26	116819	ARM/ASS'Y GAUGE WHEEL	1	60	654051	P 1/2 NARROW	AR
27	116822	WHEEL & TIRE ASS'Y (12X3.00)	1	61	654034	L 3/4	AR
30	655022	PIN/COTTER 3/16X1-3/4	AR	62	650857	NUT/JAM 3/4	AR

# 3210/3250 – PICKUP OVERRUNNING CLUTCH ASSEMBLY & HITCHJACK



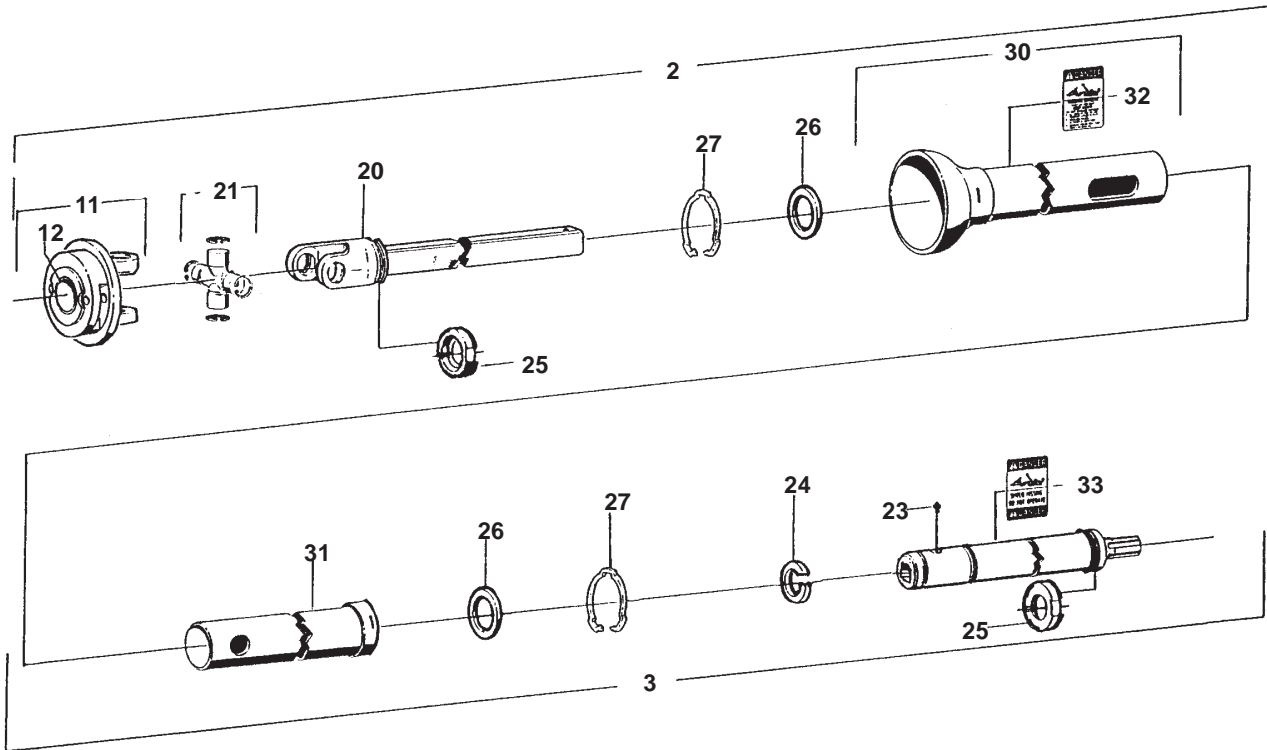
Ref. No.	Part No.	Description	Qty. Req.	Ref. No.	Part No.	Description	Qty. Req.
	116880	CLUTCH/ASS'Y OVERRUNNING	1	071119	HITCHJACK – WESBAR		1
		CONSISTS OF:					
01	H8330	WASHER/SHIM	2	01	061276	PIN & CHAIN	1
02	116883	SPROCKET/PICKUP	1	02	077840	TUBE/JACK – INSIDE	1
03	655040	PIN/COTTER 3/16X3	1	03	077841	TUBE/JACK – OUTSIDE	1
04	116886	ROLLER	1	04	126735	HANDLE (LATER STYLE)	2
05	116887	SPRING/COMPRESSION	1		126735	HANDLE (EARLY STYLE)	2
06	116881	HUB/SPROCKET	1	05	077838	CAP/TOP	1
07	116885	PLATE/COVER	1	06	094283	KIT/INTERNAL PARTS	1
08	651281	CS 1/4NFX1	4	07	077836	KIT/GEAR	1
09	654022	L 1/4	4	08	077839	SHAFT/CROSS (EARLY STYLE)	1

# 3210/3250 – FRONT PTO (FIXED-LENGTH) SECTION

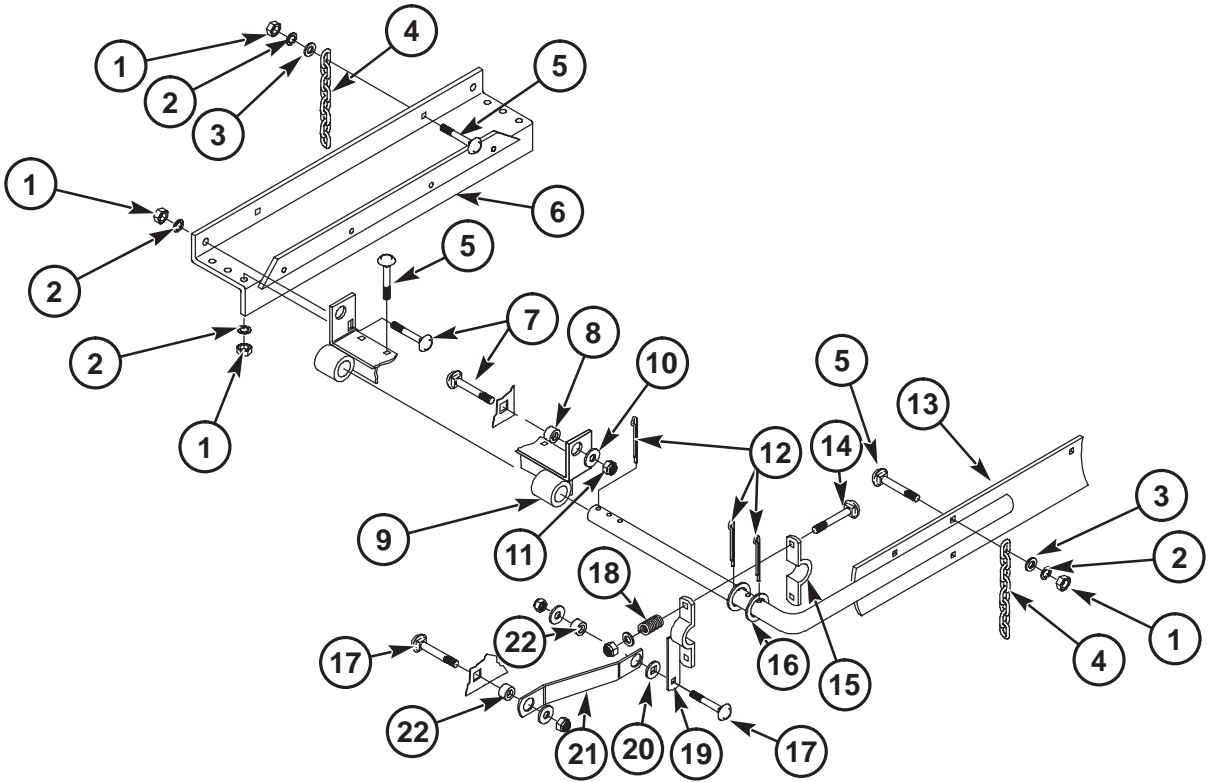


Ref. No.	Part No.	Description	Qty. Req.	Ref. No.	Part No.	Description	Qty. Req.
01	116803	FRONT PTO ASS'Y .....	1	22	127026	INBOARD YOKE .....	1
11	127024	YOKE & SLIDE COLLAR ASS'Y .....	1	23	127028	ROLL PIN .....	1
12	086923	SLIDE COLLAR KIT .....	1	24	127029	SHIELD .....	1
13	127027	END YOKE ASS'Y .....	1	25	010-32329	SHIELD BEARING .....	2
14	127030	SOCKET HEAD SET SCREW .....	1	26	400-32382	THRUST WASHER .....	1
15	653045	JAM NUT .....	1	27	350-32391	RETAINING RING .....	1
20	127025	YOKE & SHAFT .....	1	28	091444	DANGER DECAL .....	1
21	190-29707	CROSS KIT .....	2	29	086902	DANGER DECAL .....	1

# 3210/3250 – REAR PTO (TELESCOPING) SECTION

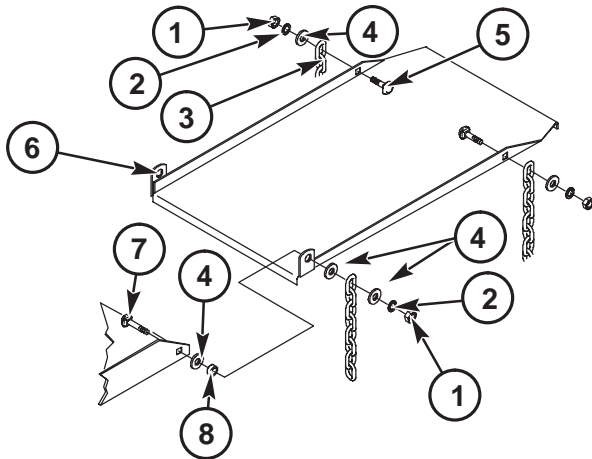
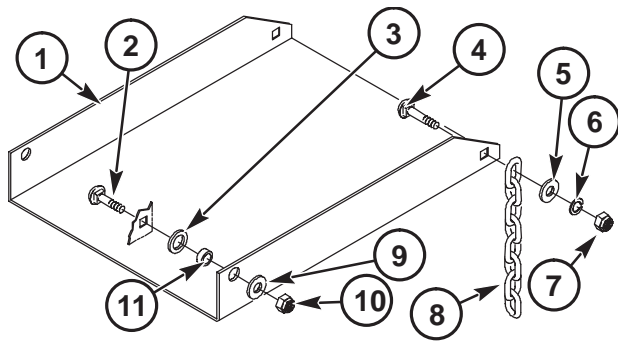


Ref. No.	Part No.	Description	Qty. Req.	Ref. No.	Part No.	Description	Qty. Req.
02	127031	U-JOINT (REAR SECTION) .....	1	25	010-32329	SHIELD BEARING .....	2
03	127032	U-JOINT (FRONT SECTION) .....	1	26	400-32382	THRUST WASHER .....	2
11	127033	CLUTCH YOKE ASS'Y .....	1	27	350-32391	RETAINING RING .....	2
12	127037	BUSHING .....	1	30	127035	OUTER SHIELD ASS'Y .....	1
20	127034	YOKE & SHAFT .....	1	31	127036	INNER SHIELD ASS'Y .....	1
21	190-29707	CROSS KIT .....	2	32	091444	DANGER DECAL .....	1
23	570019	FITTING/GREASE .....	1	33	086902	DANGER DECAL .....	1
21	010-21322	SHIELD SUPPORT BEARING .....	1				



Ref. No.	Part No.	Description	Qty. Req.	Ref. No.	Part No.	Description	Qty. Req.
	805099	QUARTER TURN BALE CHUTE	1	11	071703	LN 3/8	6
		CONSISTS OF:		12	651265	PIN/COTTER	3
1	653007	N 5/16	6	13	117113	ARMASS'Y/BALE	1
2	654024	L 5/16	6	14	650681	CB 3/8 X 3-3/4	2
3	124275	WASHER/FLAT	2	15	117105	CLAMP ASS'Y	1
4	117101	CHAIN/TAILOGATE	2	16	124279	FLAT WASHER SPECIAL	2
5	650573	CB 5/16X1	6	17	651067	CB-SHORTNECK 3/8 X 1	2
6	117117	CHUTE ASS'Y	1	18	117116	SPRING/COMPRESSION	2
7	650786	CB 3/8 X 1-1/4	2	19	117108	BRAKE ARM ASS'Y	1
8	117102	SPACER/BALE CHUTE	2	20	124283	FLAT WASHER SQ.	1
9	117120	BRACKET ASS'Y	1	21	117111	LINK	1
10	654006	P 3/8	5	22	117112	SPACER	2

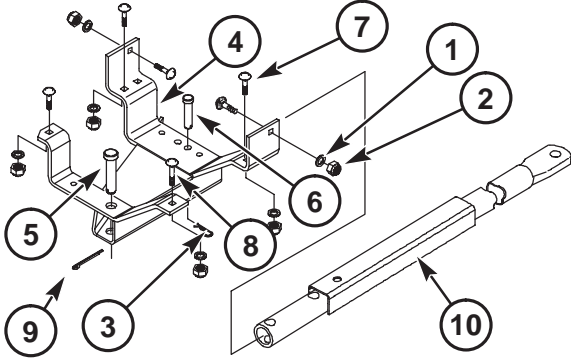
# 3210/3250 – ACCESSORIES



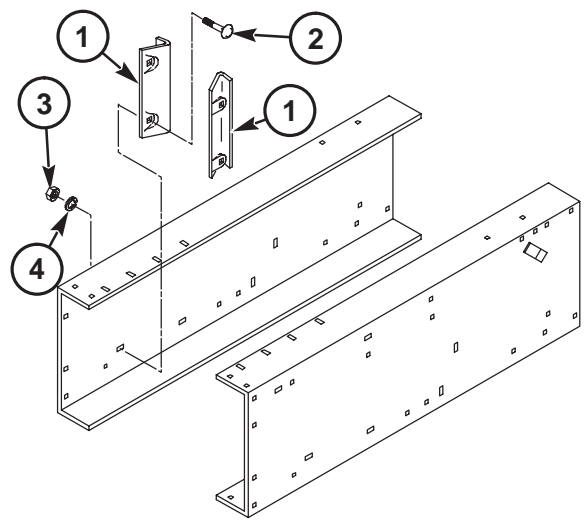
Ref. No.	Part No.	Description	Qty. Req.
	805098	TAILGATE CHUTE .....	1
		CONSISTS OF:	
1	117103	CHUTE/BALE .....	1
2	650786	CB 3/8 X 1-1/4 .....	2
3	124274	WASHER/FLAT .....	2
4	650573	CB 5/16X1 .....	2
5	124275	WASHER/FLAT SPECIAL .....	2
6	654024	L 5/16 .....	2
7	653007	N 5/16 .....	2
8	117101	CHAIN/TAIL GATE .....	2
9	654006	P 3/8 .....	2
10	071703	LN 3/8 .....	2
11	117102	SPACER/BALE CHUTE .....	2

Ref. No.	Part No.	Description	Qty. Req.
	805100	WAGON LOADING CHUTE .....	1
		CONSISTS OF:	
1	653007	N 5/16 .....	4
2	654024	L 5/16 .....	4
3	117128	CHAIN 41 LINKS .....	2
4	124275	WASHER/FLAT SPECIAL .....	8
5	650573	CB 5/16X1 .....	2
6	117125	BALE/LOADER ASS'Y .....	1
7	650745	CB 5/16 X 1-1/4 .....	2
8	068958	SPACER .....	2

**3210/3250 – ACCESSORIES**

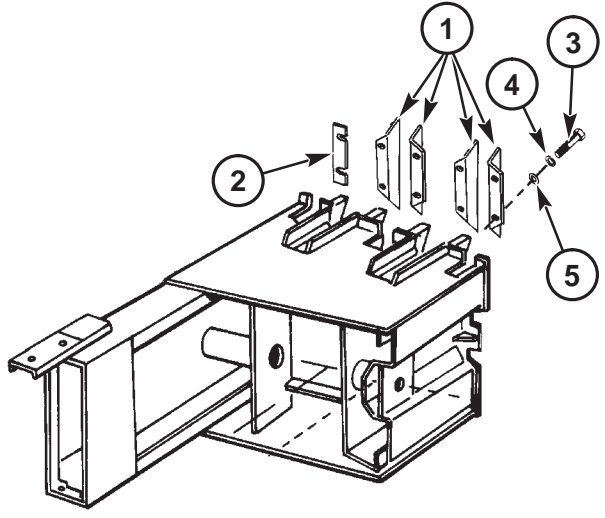


Ref. No.	Part No.	Description	Qty. Req.
	805101	swinging wagon hitch .....	1
		CONSISTS OF:	
1	062255	WASHER/HARDENED .....	8
2	071706	LN 1/2 .....	8
3	076099	COTTER/HAIR PIN .....	1
4	117163	HITCH/ASS'Y WAGON .....	1
5	124280	PIN/CLEVIS .....	1
6	124281	PIN/CLEVIS .....	1
7	650527	CB 1/2X1-1/4 .....	7
8	650834	CB 1/2X1-1/2 .....	1
9	651160	PIN/COTTER .....	1
	805102	51" (1295 MM) LONG WAGON POLE ...	1
	805103	26" (660 MM) LONG WAGON POLE ....	1
		CONSISTS OF:	
10	126742	51" (1295 MM) LONG HITCHPOLE .....	1
	126743	26" (660 MM) LONG HITCHPOLE .....	1



Ref. No.	Part No.	Description	Qty. Req.
	805104	HAY WEDGE KIT .....	1
		CONSISTS OF:	
1	117381	WEDGE/HAY .....	4
2	650790	CB 3/8X3/4 .....	8
3	653010	N 3/8 .....	8
4	654026	L 3/8 .....	8

Ref. No.	Part No.	Description	Qty. Req.
	805105	PLUNGER FACE EXTENSION .....	1
		CONSISTS OF:	
1	117160	EXTENSION/PLUNGER .....	4
2	117161	PLATE/SPACER .....	1
3	650490	CS 3/8X1 .....	8
4	654026	L 3/8 .....	8
5	654049	P 3/8 .....	8



# TORQUE SPECIFICATIONS

**NOTE:** Use these torque values when tightening **GEHL** hardware (excluding: Locknuts and Self-tapping, Thread Forming and Sheet Metal Screws) unless specified otherwise.

All torque values are in Lb-Ft except those marked with an \* which are Lb-In  
(For metric torque value Nm, multiply Lb-Ft value by 1.355 or Lb-In value by 0.113)

Unified National Thread	Grade 2		Grade 5		Grade 8	
	Dry	Lubed	Dry	Lubed	Dry	Lubed
<b>8-32</b> <b>8-36</b>	19* 20*	14* 15*	30* 31*	22* 23*	41* 43*	31* 32*
<b>10-24</b> <b>10-32</b>	27* 31*	21* 23*	43* 49*	32* 36*	60* 68*	45* 51*
<b>1/4-20</b> <b>1/4-28</b>	66* 76*	50* 56*	9 10	75* 86*	12 14	9 10
<b>5/16-18</b> <b>5/16-24</b>	11 12	9	17 19	13 14	25	18 20
<b>3/8-16</b> <b>3/8-24</b>	20 23	15 17	30 35	23 25	45 50	35
<b>7/16-14</b> <b>7/16-20</b>	32 36	24 27	50 55	35 40	70 80	55 60
<b>1/2-13</b> <b>1/2-20</b>	50 55	35 40	75 90	55 65	110 120	80 90
<b>9/16-12</b> <b>9/16-18</b>	70 80	55 60	110 120	80 90	150 170	110 130
<b>5/8-11</b> <b>5/8-18</b>	100 110	75 85	150 180	110 130	220 240	170 180
<b>3/4-10</b> <b>3/4-16</b>	175 200	130 150	260 300	200 220	380 420	280 320
<b>7/8-9</b> <b>7/8-14</b>	170 180	125 140	430 470	320 360	600 660	460 500
<b>1-8</b> <b>1-14</b>	250 270	190 210	640 710	480 530	900 1000	680 740



**GEHL**®

**Gehl Company** 143 Water Street, P.O. Box 179, West Bend, WI 53095-0179