

Form No.  
904783

# 3200

## Rectangular Bale Thrower



# SERVICE PARTS MANUAL

**GEHL®** AGRICULTURE

## Introduction

When ordering service parts, specify the correct part number, full description, quantity required, the unit model number and serial number.

The model and serial numbers for this unit are on a Decal located on the left front side of the unit.

“Right” and “left” are determined from a position standing behind the unit and facing forward. From this position, the Actuator is mounted on the “left”.

Gehl Company reserves the right to make changes or improvements in the design or construction of any part of the unit without incurring the obligation to install such changes on any previously delivered units.

Refer to the abbreviations table located on this page for the various fastener descriptions. Standard attaching hardware torque values are also provided on the inside back cover.

Unless otherwise specified, all Cap Screws or Bolts are Grade 5, cadmium or zinc plated; Hexagon Nuts for Grade 5 Screws or Bolts are Grade B; Hexagon Nuts for other Screws or Bolts are Grade A.

**NOTE:** - *The following abbreviations may used herein:*

AMP	- Ampere
AR	- As Required
ASS'Y	- Assembly
CB	- Carriage Bolt
CS	- Cap Screw (Hexagon Head)
DEG	- Degree(s)
HD	- Head or Hardened
ID	- Inside Diameter
L	- Lock (Washer)
LN	- Lock Nut (Hexagon)
LT	- Left
N	- Nut (Hexagon)
OD	- Outside Diameter
P	- Plain (Washer)
RHMS	- Round Head Machine Screw
RT	- Right
SQ	- Square
SQHSS	- Square Head Set Screw
TCS	- Thread Cutting Screw
W/	- With

# Table of Contents

<b>Description</b>	<b>Page</b>
Decal Locations .....	2
Main Frame & Attaching Parts .....	4
Rollers & Roller Drives .....	6
Hydraulic Controls (Front) .....	8
Hydraulic Controls (Rear) & Actuator Mounting .....	10
Hydraulic Gear Pump .....	12
Hydraulic Gear Motor .....	13
Actuator Assembly .....	14
Instrument Panel & Wiring .....	15
Safety Shields .....	16
Numerical Index .....	17

# DECAL LOCATIONS

## GENERAL INFORMATION



### CAUTION

**ALWAYS** read and abide by the Safety Rules and information shown on Decals. If Decal(s) become(s) damaged, unreadable or if the unit is repainted, the Decal(s) **MUST** be replaced. If repainting, **MAKE SURE ALL** Decals which apply to your machine are properly affixed to your unit in their proper locations.

Decal Locations information is provided to assist in the proper selection and application of new decals, in the event the original decal(s) become(s) damaged or the machine is repainted.

For correct replacement of decal(s), compare the close-up location photographs to your machine **BEFORE** starting to refinish the unit. Check-off each required decal using the illustration reference number to find the part number, description and quantity in the list. Refer to the appropriate illustration(s) for replacement location(s).

**NOTE:** Refer to the *SAFETY Chapter of the Operator's Manual for the specific information provided on all of the various Safety Decals.*

#### PAINT NOTICE

Use this list to order paint for refinishing:

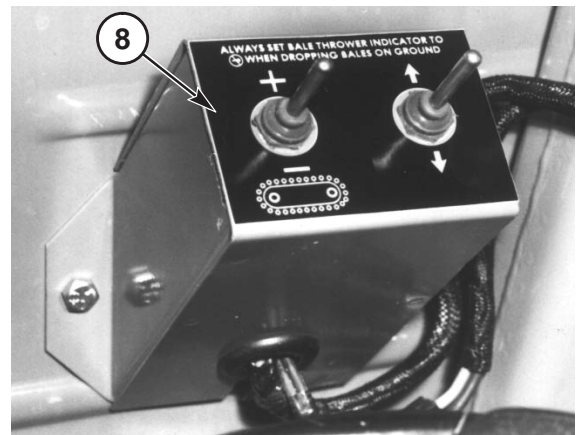
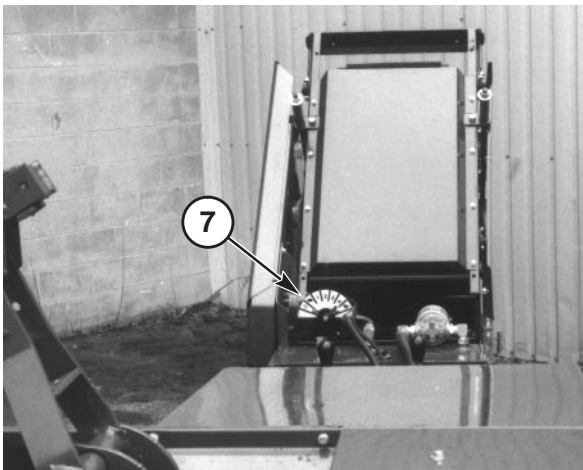
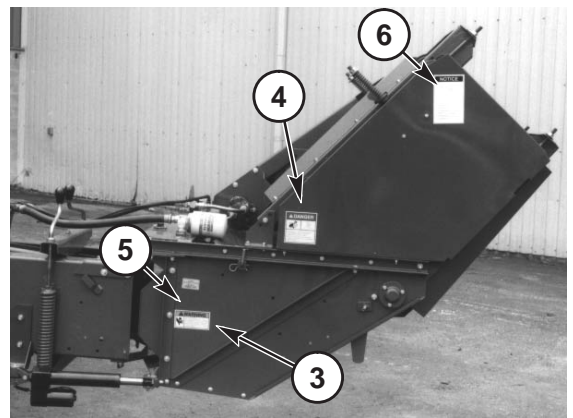
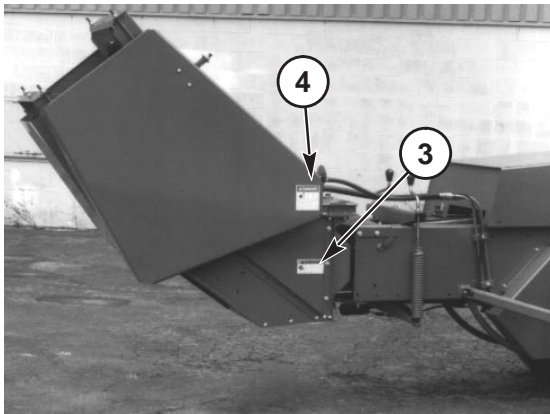
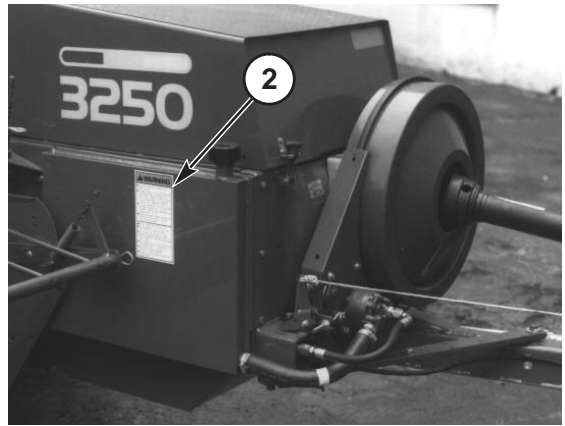
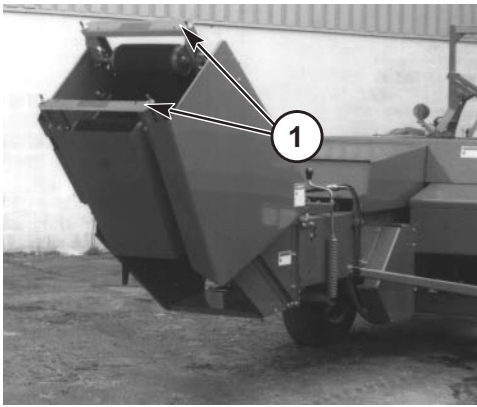
906315	One Gal. Red
906323	One Qt. Charcoal Grey
906317	One Gal. Charcoal Grey
902873	One Qt. Black
906316	6 (12 oz. Spray Cans) Red
906318	6 (12 oz. Spray Cans) Grey
902875	6 (12 oz. Spray Cans) Black

## NEW DECAL APPLICATION

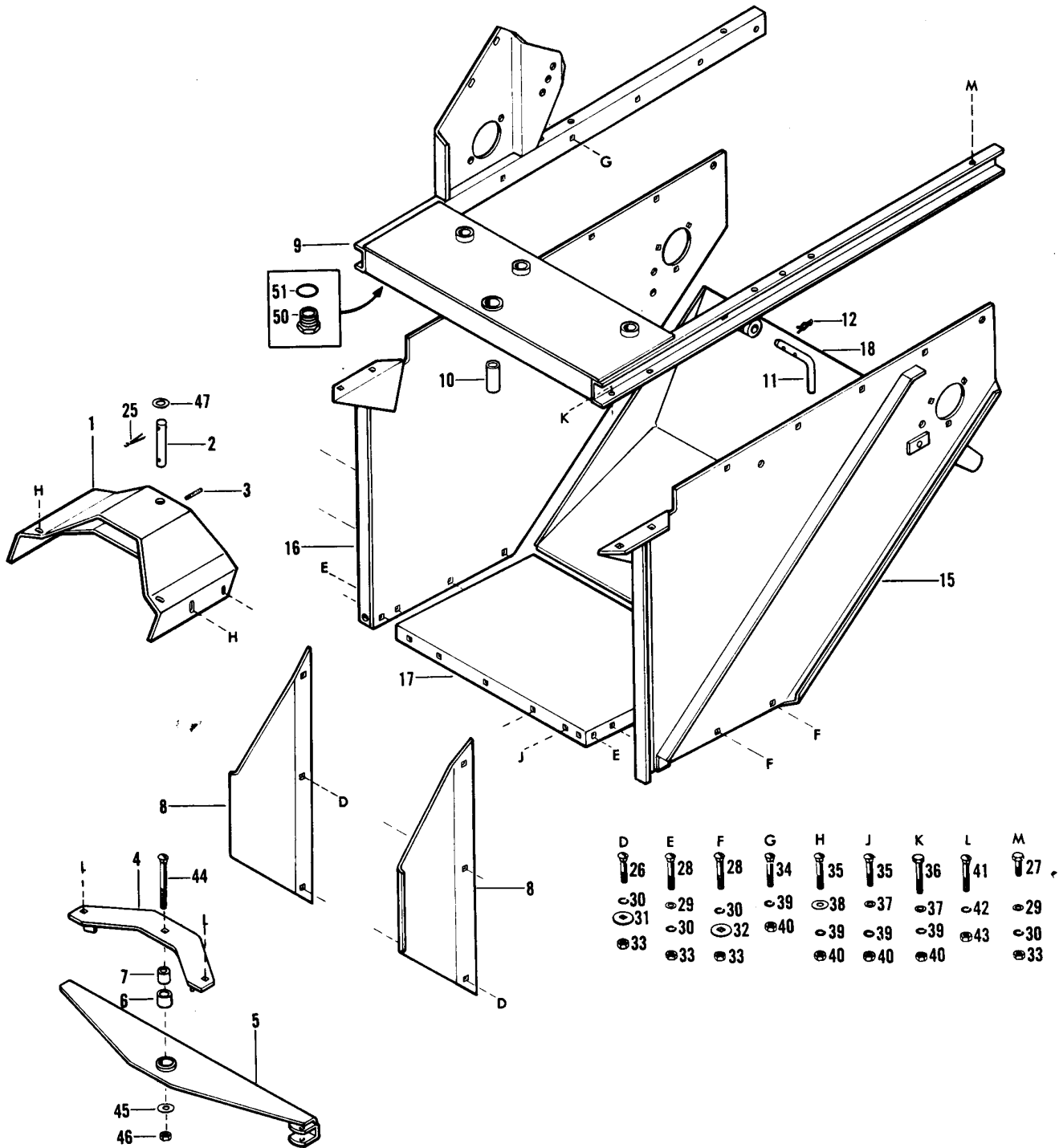
Surfaces **MUST** be free from dirt, dust, grease and other foreign material before applying the new decal. To apply a solid-formed decal, remove the smaller portion of the decal backing paper and apply this part of the exposed adhesive backing to the clean surface while maintaining proper position and alignment. Slowly peel off the other portion of the backing paper while applying hand pressure to smooth-out the decal surface. To apply a die-cut Decal, first remove the backing paper. Then, properly position the Decal onto the clean mounting surface. After the Decal is firmly applied and smoothly pressed-down, remove the front covering paper.

The Decal Set for the 3200 Bale Thrower is 127186. The Set includes the following:

Ref. No.	Part No.	Description & Quantity
1	067493	Red Reflector (2 Places)
2	093369	WARNING - Hydraulic Oil & Unplugging
3	093489	WARNING - Pinch Point (2 Places)
4	093599	DANGER - Rotating Belts (2 Places)
5	094951	Made in USA
6	115880	Waffle Belt Adjustment
7	115881	Speed Control
8	115882	Control Box Faceplate



# 3200 – MAIN FRAME & ATTACHING PARTS



## 3200 – MAIN FRAME & ATTACHING PARTS

Ref. No.	Part No.	Description	Qty. Req.	Ref. No.	Part No.	Description	Qty. Req.
01	124404	BRACKET/ASS'Y UPPER .....	1	30	654024	LW 5/16 .....	AR
02	124405	PIN/UPPER .....	1	31	126149	WASHER/FLAT W/SQ HOLE .....	AR
03	126145	PIN/SPIRAL .....	1	32	126150	WASHER/FLAT W/SQ HOLE .....	AR
04	124391	BRACKET/ASS'Y LOWER .....	1	33	653007	N 5/16 .....	AR
05	124384 <sub>1</sub>	BRACKET/ASS'Y LOWER .....	1	34	650437	CB 3/8X5/8 .....	AR
06	126125	BUSHING/SLEEVE .....	1	35	650704	CB 3/8X1 .....	AR
07	124390	SPACER/STEEL .....	1	36	650491	CS 3/8X1-1/4 .....	AR
08	124395	DEFLECTOR/BALE .....	2	37	654049	P 3/8 NARROW .....	AR
09	124353 <sub>1</sub>	FRAME/ASS'Y UPPER .....	1	38	654006	P 3/8 .....	AR
10	124362	BEARING/SLEEVE .....	1	39	654026	L 3/8 .....	AR
11	124389	ROD/BALE THROWER .....	1	40	653010	N 3/8 .....	AR
12	076099	COTTER/HAIR PIN .....	1	41	650811	CB 1/2X1 .....	AR
15	124377	SIDE/ASS'Y CHAMBER LT .....	1	42	654030	LW 1/2 .....	AR
16	124370	SIDE/ASS'Y CHAMBER RT .....	1	43	653044	NUT/JAM 1/2 .....	AR
17	124386	PANEL/ASS'Y .....	1	44	651104	CB 5/8X3-1/4 .....	AR
18	124364	PANEL/ASS'Y LOWER .....	1	45	654012	P 5/8 .....	AR
25	655028	PIN/COTTER 1/4X1-1/2 .....	AR	46	071709*	LN 5/8 .....	AR
26	650573	CB 5/16X1 .....	AR	47	651151	P 1 " NARROW .....	AR
27	650487	CS 5/16X1 .....	AR	50	230-21439	PLUG .....	1
28	650573	CB 5/16X1 .....	AR	51	048953	O-RING .....	1
29	650810	P 5/16 .....	AR	1.	Includes Bushing(s).		

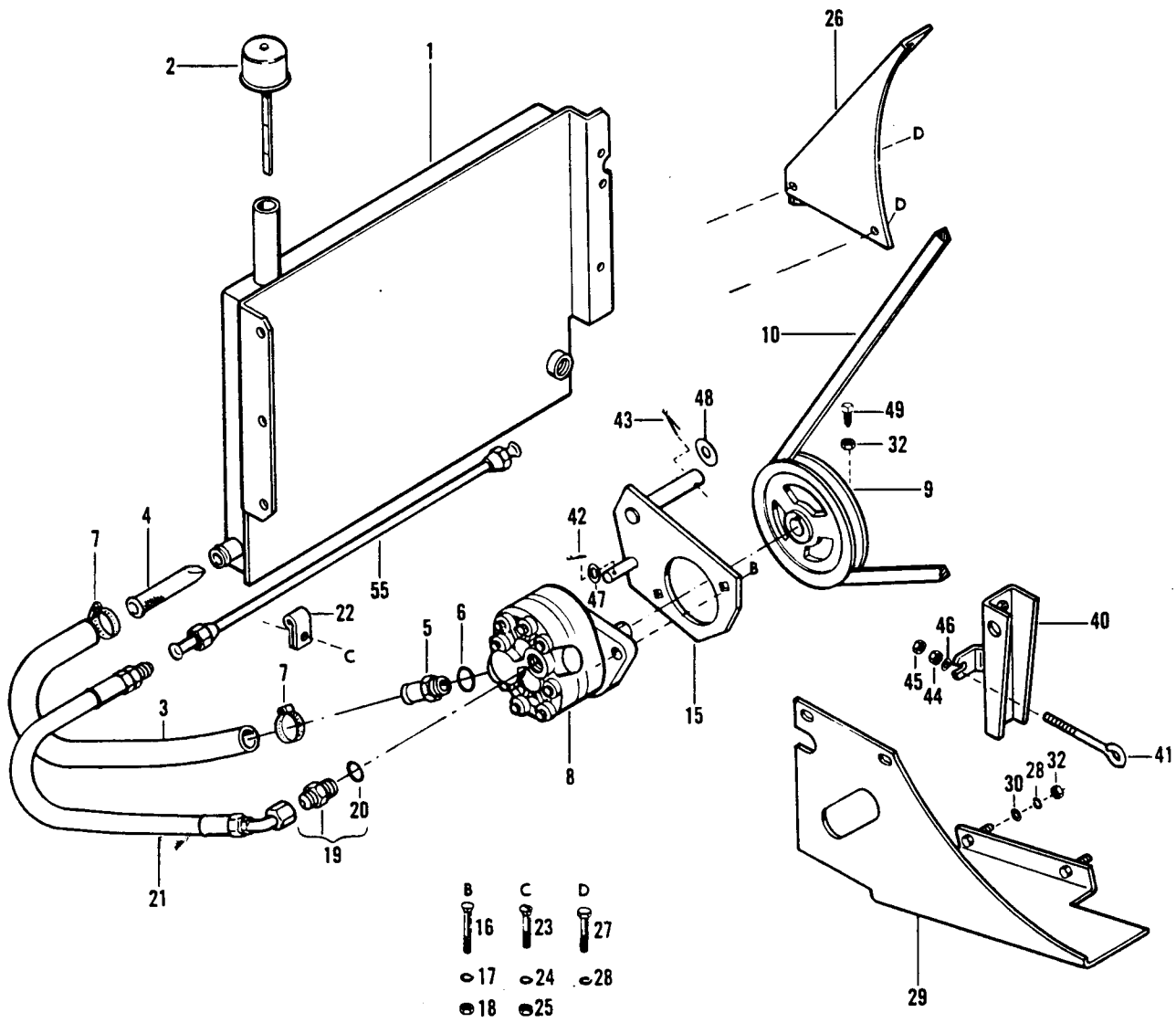




## 3200 – ROLLERS & ROLLER DRIVES

Ref. No.	Part No.	Description	Qty. Req.	Ref. No.	Part No.	Description	Qty. Req.
01	124434	FRAME/ASS'Y ROLL	1	41	124347	PULLEY (7-1/2 DIA)	1
02	124396	FRAME/ASS'Y ROLL LOWER	1	42	124385	ROD/BALE THROWER	1
03	124423	GUARD/ASS'Y	2	43	124402	BRACKET/ASS'Y	1
04	124414	BRACKET/ROLL FRAME LT	1	50	655041	PIN/COTTER 3/16X3/4	AR
05	124417	ROD/TENSION ASS'Y	2	51	650542	CS 1/4X1/2	AR
06	124416	PAD/SPRING	2	52	654022	LW 1/4	AR
07	124442	BAR/TENSION ROD	1	53	653005	N 1/4	AR
08	124415	SPRING/COMPRESSION	2	54	650437	CB 5/16X5/8	AR
09	520063	BEARING/BALL	8	55	650486	CS 5/16X3/4	AR
10	H275	RETAINER/BEARING	8	56	650573	CB 5/16X1	AR
11	125869	FLANGETTE	8	58	654024	LW 5/16	AR
12	124413	BOLT/TAKE-UP	4	59	653007	N 5/16	AR
13	126127	WASHER/BELLVILLE	8	60	650488	CS 3/8X3/4	AR
15	124412	ROLLER/ASS'Y DRIVER	2	62	651067	CB 3/8X1	AR
16	124411	ROLLER/ASS'Y DRIVEN	2	63	650490	CS 3/8X1	AR
17	124428	SHAFT/IDLER ROLLER	2	65	654026	LW 3/8	AR
18	124429	ROLLER/IDLER	2	66	653010	N 3/8	AR
19	064094	BEARING/BALL	4	67	653038	NUT/JAM 3/8	AR
20	124427	BRACKET/ROLLER	4	68	125683	BOLT/SHOULDER	AR
21	124426	DEFLECTOR/TRASH	2	69	650494	CS 1/2X1	AR
25	124419 <sub>1</sub>	BELT/CONVEYOR ASS'Y	2	70	650495	CS 1/2X1-1/4	AR
26	126143	HOOK/BELT	4	71	650585	CS 1/2X2	AR
27	126142	PIN/BELT SPLICE	2	72	651148	P 1/2	AR
30	124342	PULLEY/FLYWHEEL	2	73	654030	LW 1/2	AR
31	126202	KEY/WOODRUFF 1/4X2-1/8	2	74	653018	N 1/2	AR
32	125868	SCREW/SET SQ HD FULL DOG	2	75	071706	LN 1/2	AR
33	125682	ARM/ASS'Y BALE THROWER	1	76	651150	P 5/8 NARROW	AR
34	125684	BEARING/NYLON	1	77	071709	LN 5/8	AR
35	125685	PULLEY	1	78	520084	COLLAR/LOCK	8
36	124348	SPRING/EXTENSION	1				
40	124351	V-BELT (97 LONG)	1	1.	Includes Hook, Item 26.		

# 3200 – HYDRAULIC CONTROLS (FRONT)

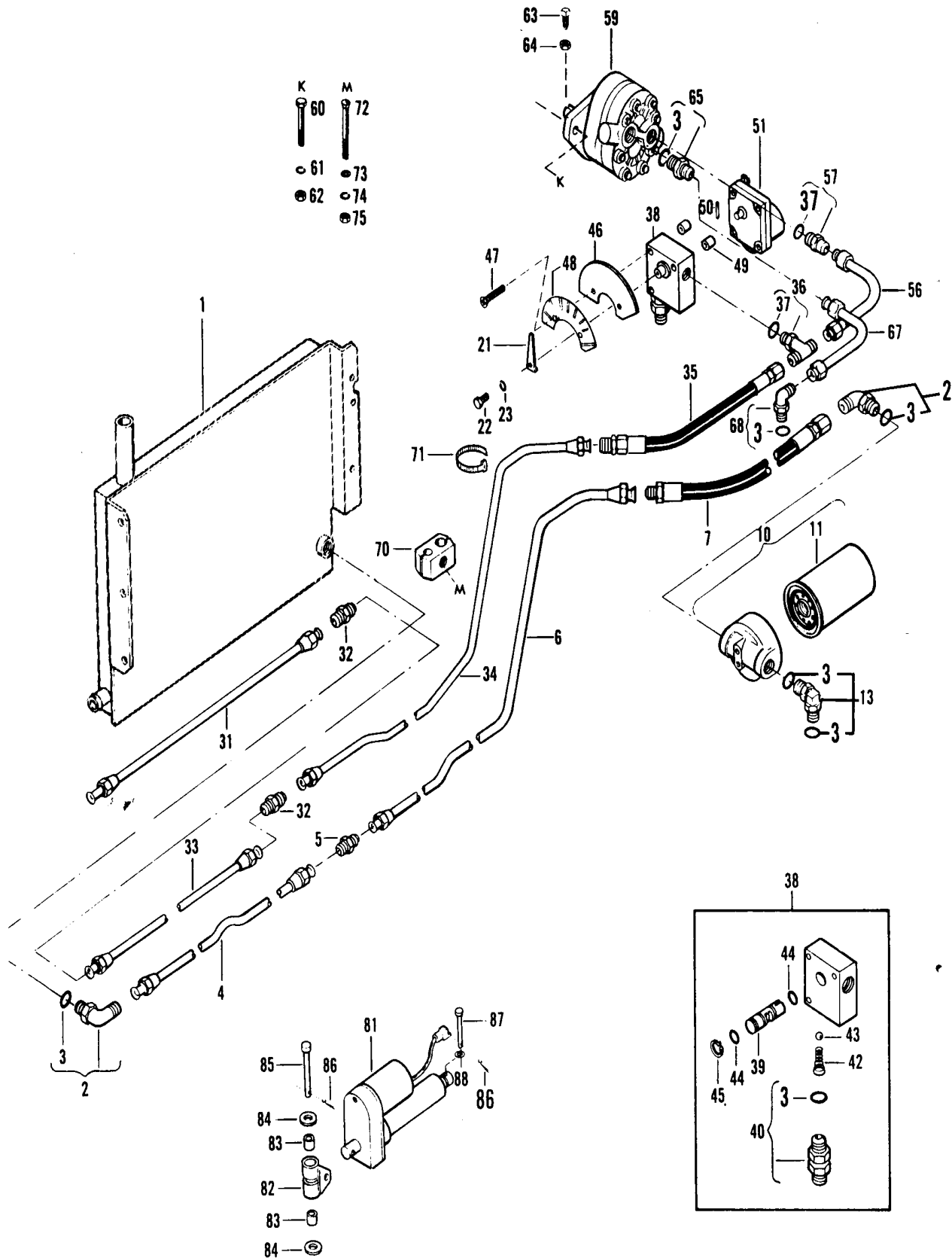


## 3200 – HYDRAULIC CONTROLS (FRONT)

Ref. No.	Part No.	Description	Qty. Req.	Ref. No.	Part No.	Description	Qty. Req.
01	125697	TANK/HYDRAULIC ASS'Y	1	26	125825	GUARD/ASS'Y	1
02	125830	BREATHER/ASS'Y HYD TANK	1	27	650485	CS 5/16X5/8	3
03	125839	HOSE/SUCTION 1IDX15 LONG	1	28	654024	L 5/16	5
04	125801	STRAINER/HYDRAULIC OIL	1	29	125810	GUARD/ASS'Y BALE THROWER	1
05	125831	UNION/HYDRAULIC FITTING	1	30	650810	P 5/16	4
06	048953	O-RING	1	32	653007	N 5/16	4
07	053934	CLAMP/HOSE	2	40	125812	BRACKET/ASS'Y	1
08	125824 <sub>2</sub>	PUMP/ASS'Y BALE	1	41	126181	BOLT/EYE	1
09	125832	PULLEY/HYD PUMP DRIVE	1	42	655016	PIN/COTTER 3/16X1	1
10	125838	V-BELT (82 LONG)	1	43	655018	CP 3/16X1-1/4	1
15	125802	PLATE/ASS'Y BALE THROWER	1	44	653010	N 3/8	1
16	651294	PB 7/16X1-1/2	2	45	653038	NUT/JAM 3/8	1
17	654028	L 7/16	2	46	654049	P 3/8 NARROW	1
18	653015	N 7/16	2	47	651148	P 1/2	1
19	072580 <sub>1</sub>	UNION/HYD FITTING	1	48	654014	P 3/4 WIDE	1
20	055898	O-RING FOR 7/8-14 THREAD	1	49	651144	SQHSS 5/16X3/4 CUP PT	2
21	125843	HOSE/ASS'Y (15")	1	55	125849	TUBE/HYDRAULIC ASS'Y 24-9/16	1
22	126124	CLIP/CLOSED	1				
23	650758	CB 1/4X3/4	1				
24	654022	LW 1/4	1				
25	653005	N 1/4	1				

1. Includes O-ring.
2. For breakdown, see page titled "Hydraulic Gear Pump".

# 3200 – HYDRAULIC CONTROLS (REAR) & ACTUATOR MOUNTING

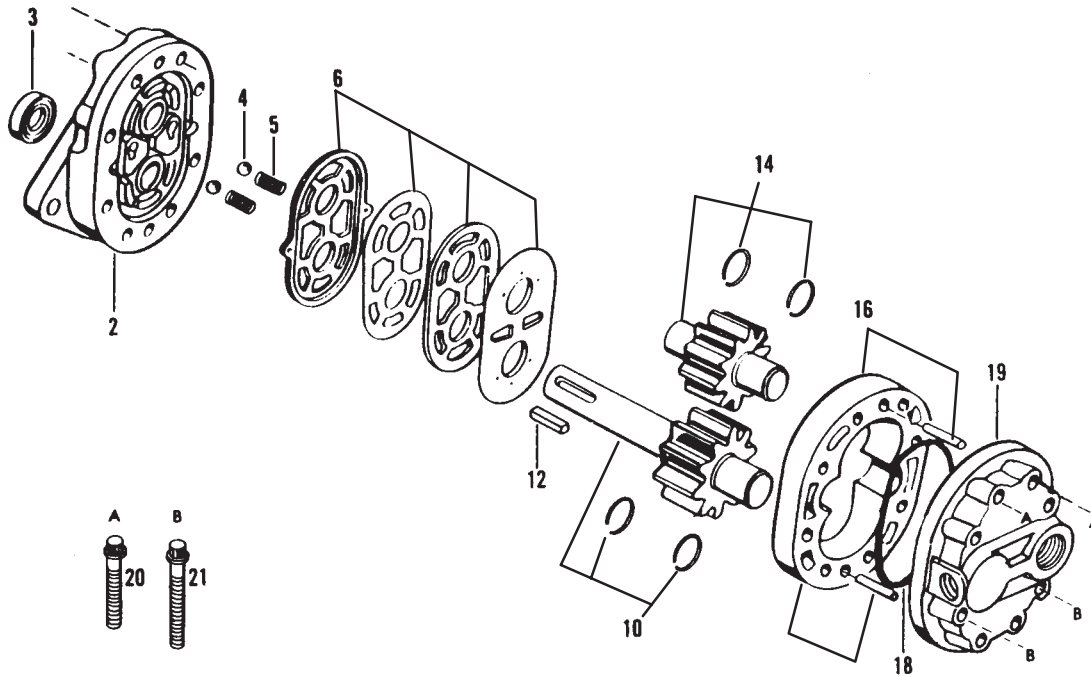


## 3200 – HYDRAULIC CONTROLS (REAR) & ACTUATOR MOUNTING

Ref. No.	Part No.	Description	Qty. Req.	Ref. No.	Part No.	Description	Qty. Req.
01	125697	TANK/HYDRAULIC ASS'Y	REF	56	124345	TUBE/HYDRAULIC ASS'Y	1
02	055005 <sub>1</sub>	ELBOW/HYD FITTING 90 DEG	2	57	072602 <sub>1</sub>	UNION/HYD FITTING	1
03	048953	O-RING	7	59	124343 <sub>3</sub>	MOTOR/ASS'Y HYDRAULIC	1
04	125848	TUBE/HYDRAULIC ASS'Y	1	60	650452	CS 7/16X1-1/2	2
05	056428	UNION/HYD FITTING	1	61	654028	L 7/16	2
06	125852	TUBE/HYDRAULIC ASS'Y	1	62	653015	N 7/16	2
07	125842	HOSE/ASS'Y (32")	1	63	651144	SQHSS 5/16X3/4 CUP PT	2
10	125695	FILTER/HYD OIL ASS'Y	1	64	653034	NUT/JAM 5/16	2
11	048959	FILTER/SPIN-ON	1	65	072587 <sub>1</sub>	UNION/HYD FITTING	1
13	126126 <sub>1</sub>	ELBOW/HYD FITTING 90 DEG	1	67	124346	TUBE/HYDRAULIC ASS'Y	1
21	125689	BRACKET/BALE THROWER	1	68	055005 <sub>1</sub>	ELBOW/HYD FITTING 90 DEG	1
22	650403	CS 1/4X3/8	1	70	126054	CLAMP/BALE THROWER	3
23	654022	L 1/4	1	71	055648	STRAP/TIE NYLON	AR
31	125849	TUBE/HYDRAULIC ASS'Y	1	72	650734	CB 5/16X2-1/4	3
32	064664	UNION/HYD FITTING	2	73	650810	P 5/16	3
33	125847	TUBE/HYDRAULIC ASS'Y	1	74	654024	LW 5/16	3
34	125851	TUBE/HYDRAULIC ASS'Y	1	75	653007	N 5/16	3
35	125844	HOSE/ASS'Y (30")	1	81	077093 <sub>4</sub>	ACTUATOR	1
36	088044 <sub>1</sub>	TEE/HYD FITTING	1	82	125821	CLEVIS/ASSEMBLY	1
37	055898	O-RING FOR 7/8-14 THREAD	2	83	125828	BUSHING/NEOPRENE	2
38	125961 <sub>2</sub>	VALVE/HYDRAULIC	1	84	654009	P 1/2	2
39	126179	SPOOL/BALE THROWER	1	85	126154	PIN/CLEVIS	1
40	126155 <sub>1</sub>	FITTING/BALE THROWER	1	86	650878	PIN/COTTER 5/32X1	3
42	126156	SPRING/BALE THROWER	1	87	126151	PIN/CLEVIS	2
43	126180	BALL 3/8 DIA.	1	88	651148	P 1/2	2
44	055991	O-RING	2				
45	087596	RING/RETAINING	2				
46	125690	PLATE/BALE THROWER	1				
47	651210	RHMS#10-32X3	2				
48	115881	LABEL/BALE THROWER	1				
49	125688	SPACER	3				
50	220-14430	PIN	1				
51	125687	MOTOR/DC	1				

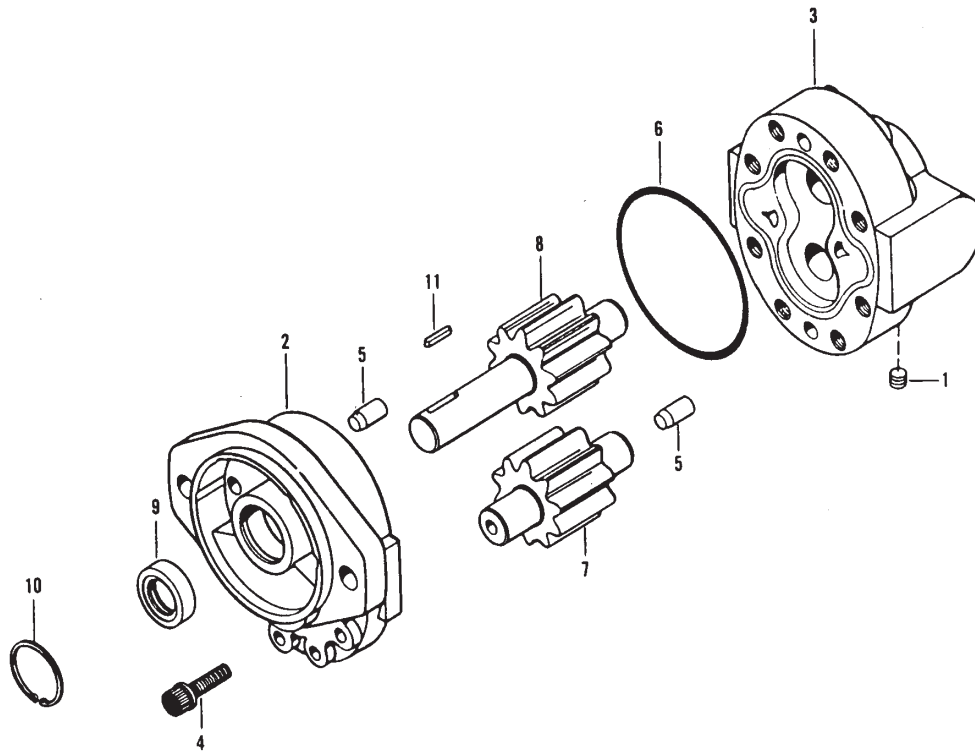
1. Includes O-ring.
2. Includes one of Item 3 and Items 39 thru 45.
3. For breakdown, see page titled "Hydraulic Gear Motor".
4. For breakdown, see page titled "Actuator Assembly".

# 3200 – HYDRAULIC GEAR PUMP



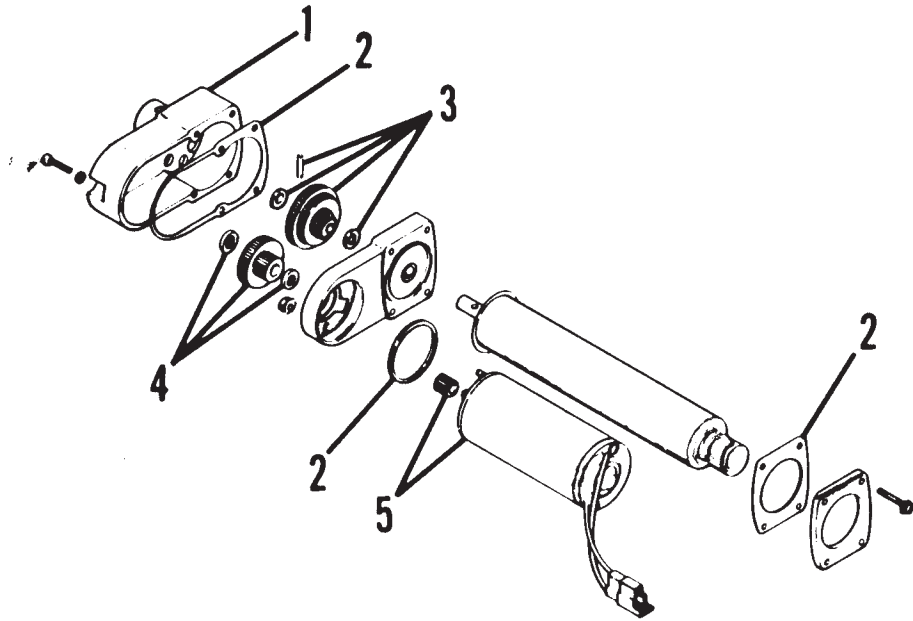
Ref. No.	Part No.	Description	Qty. Req.	Ref. No.	Part No.	Description	Qty. Req.
	125824	PUMP/ASS'Y BALE THROWER .....	1	12	067515	KEY/SQUARE 3/16X31/32 .....	1
		CONSISTS OF:		14	060740	IDLER GEAR/ASS'Y .....	1
02	127191	PLATE/ASS'Y FRONT .....	1	16	060574	KIT/GEAR PUMP BODY .....	1
03	602983 <sub>1</sub>	SEAL/OIL .....	1	18	604190 <sub>1</sub>	O-RING .....	1
04	602981 <sub>1</sub>	BALL 7/32 DIA. ....	2	19	127198	BACKPLATE/ASS'Y GEAR PUMP .....	1
05	602980 <sub>1</sub>	SPRING .....	2	20	067503	CS 5/16X2-3/4 12-PT HD .....	4
06	127192 <sub>1</sub>	SEAL PACKAGE .....	1	21	067501	CS 5/16X3 12-PT HD .....	4
10	127196	DRIVE GEAR/ASS'Y .....	1	1.		Included in Seal Kit 055221.	

## 3200 – HYDRAULIC GEAR MOTOR



Ref. No.	Part No.	Description	Qty. Req.	Ref. No.	Part No.	Description	Qty. Req.
	124343	MOTOR/HYDRAULIC .....	1	07	112216	GEAR/ASS'Y IDLER .....	1
		CONSISTS OF:		08	112217	GEAR/ASS'Y DRIVE .....	1
01	650517	PLUG .....	1	09	112214 <sub>1</sub>	OIL SEAL .....	1
02	127193	PLATE/ASS'Y FRONT .....	1	10	112215 <sub>1</sub>	RING/INT. RETAINING .....	1
03	127194	BODY/ASS'Y HYD. MOTOR .....	1	11	067515	KEY/SQUARE 3/16X31/32 .....	1
04	127195	CS 5/16X1-1/2 12-PT HD .....	8	1.		Included in Seal Kit 112212. Kit also contains extra components which are NOT required for this application.	
05	112211	PIN/DOWEL .....	2				
06	112213 <sub>1</sub>	O-RING .....	1				

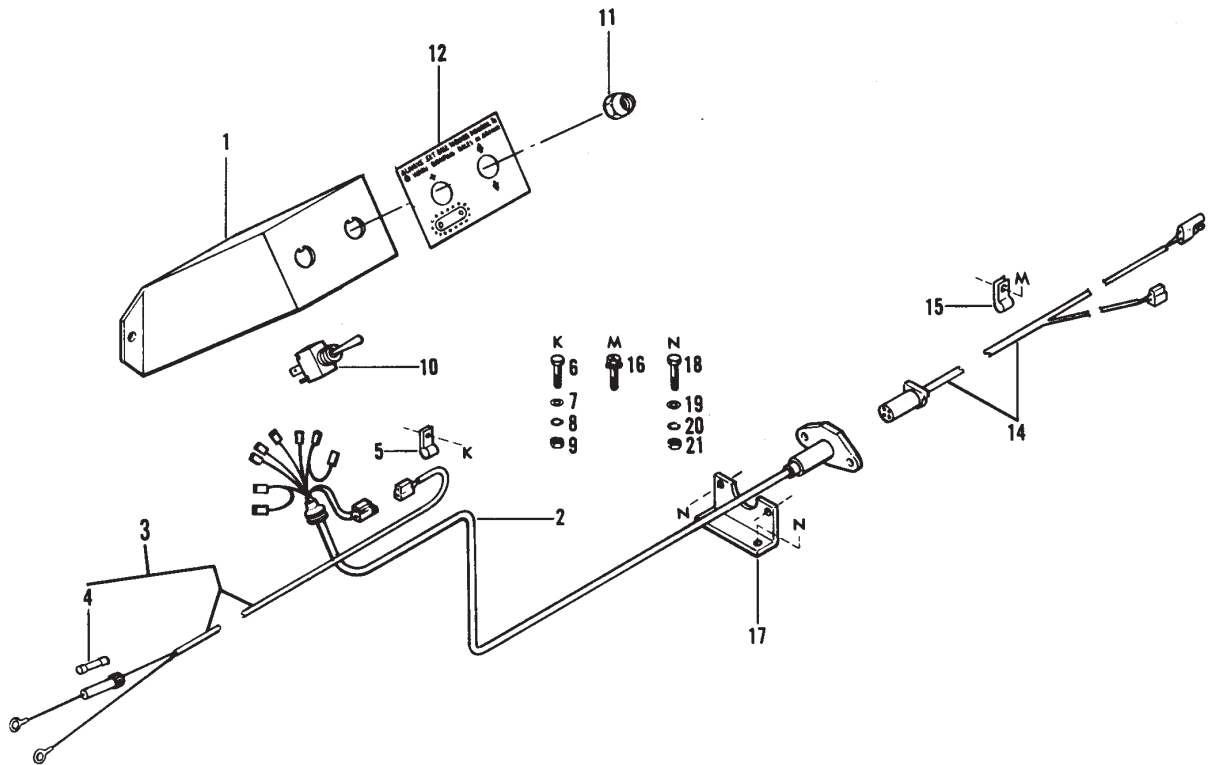
# 3200 – ACTUATOR ASSEMBLY



Ref. No.	Part No.	Description	Qty. Req.	Ref. No.	Part No.	Description	Qty. Req.
	077093	ACTUATOR .....	1	03	077096	CLUTCH (INCLUDES TWO WASHERS & A PIN) .....	1
		Consists of:					
01	077098	HOUSING/REAR .....	1	04	077095	GEAR/INTERMEDIATE (INCLUDES TWO WASHERS	
02	077097	KIT/SEAL (INCLUDES ONE COVER TUBE, GASKET, O-RING & LIP SEAL, MOTOR SEAL & GASKET BETWEEN HOUSINGS) ...	1	05	077094	MOTOR W/PINION .....	1

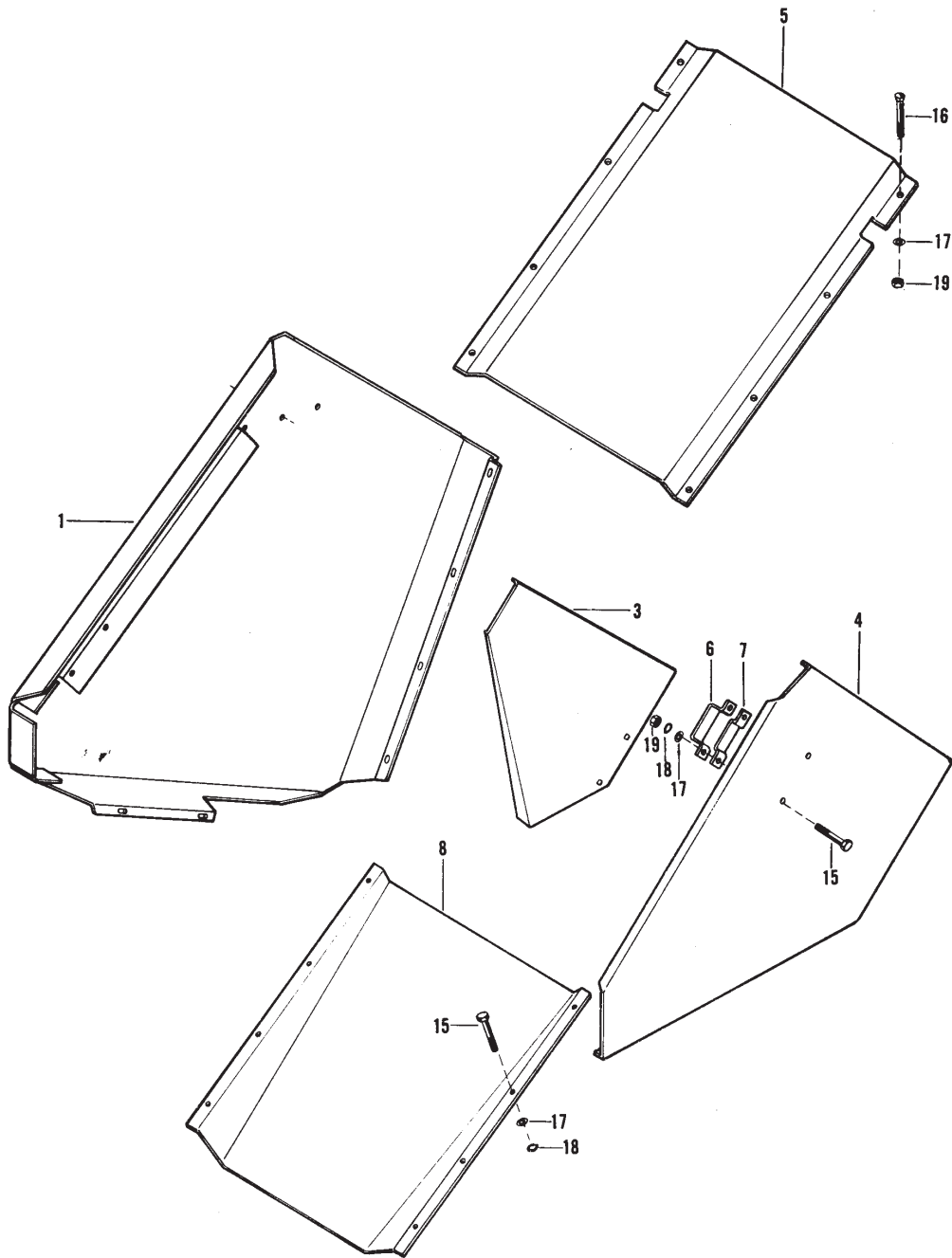


# 3200 – 3200 – INSTRUMENT PANEL & WIRING



Ref. No.	Part No.	Description	Qty. Req.	Ref. No.	Part No.	Description	Qty. Req.
01	125817	PANEL/INSTRUMENT ASS'Y .....	1	11	125833	NUT/PANEL SEAL .....	2
02	125815	HARNESS/WIRING .....	1	12	115882	LABEL/BALE THROWER .....	1
03	125837	HARNESS/ASS'Y POWER SUPPLY ....	1	14	125816	HARNESS/WIRING .....	1
04	079259	FUSE 30 AMP .....	1	15	126152	CLAMP/CUSHIONED .....	4
05	126153	CLIP/CUSHIONED .....	1	16	650985	TCS 5/16X3/4 W/WASHER .....	3
06	650486	CS 5/16X3/4 .....	2	17	125827	BRACKET/BALE THROWER .....	1
07	650810	P 5/16 .....	2	18	650448	CS 1/4X3/4 .....	4
08	654024	L 5/16 .....	2	19	650863	P 1/4 .....	4
09	653007	N 5/16 .....	2	20	654022	LW 1/4 .....	4
10	125800	SWITCH/TOGGLE .....	2	21	653005	N 1/4 .....	4

# 3200 – SAFETY SHIELDS



Ref. No.	Part No.	Description	Qty. Req.	Ref. No.	Part No.	Description	Qty. Req.
01	124430	GUARD/ASS'Y .....	1	08	124446	SHIELD/BOTTOM .....	1
03	124408	GUARD/ASS'Y .....	1	15	650486	CS 5/16X3/4 .....	AR
04	124447	SHIELD/ASS'Y SIDE LT .....	1	16	650687	CB 5/16X3/4 .....	AR
05	124444	SHIELD/TOP .....	1	17	650810	P 5/16 .....	AR
06	125866	BRACKET/SHIELD MOUNTING .....	1	18	654024	L 5/16 .....	AR
07	124441	BRACKET/SHIELD MOUNTING .....	1	19	653007	N 5/16 .....	AR

# BT3200 - NUMERICAL INDEX

Part No.	Page No.	Ref. No.	Part No.	Page No.	Ref. No.	Part No.	Page No.	Ref. No.	Part No.	Page No.	Ref. No.
H 275	07	10	112217	13	08	124446	16	08	125869	07	11
220-14430	11	50	115881	11	48	124447	16	04	126054	11	70
230-21439	05	50	115882	15	12	125682	07	33	126124	09	22
048953	05	51	124342	07	30	125683	07	68	126125	05	06
048953	09	06	124343	11	59	125684	07	34	126126	11	13
048953	11	03	124343	13		125685	07	35	126127	07	13
048959	11	11	124345	11	56	125687	11	51	126142	07	27
053934	09	07	124346	11	67	125688	11	49	126143	07	26
055005	11	02	124347	07	41	125689	11	21	126145	05	03
055005	11	68	124348	07	36	125690	11	46	126149	05	31
055648	11	71	124351	07	40	125691	11	38	126150	05	32
055898	09	20	124353	05	09	125695	11	10	126151	11	87
055898	11	37	124362	05	10	125697	09	01	126152	15	15
055991	11	44	124364	05	18	125697	11	01	126153	15	05
056428	11	05	124370	05	16	125800	15	10	126154	11	85
060574	12	16	124377	05	15	125801	09	04	126155	11	40
060740	12	14	124384	05	05	125802	09	15	126156	11	42
064094	07	19	124385	07	42	125810	09	29	126179	11	39
064664	11	32	124386	05	17	125812	09	40	126180	11	43
067501	12	21	124389	05	11	125815	15	02	126181	09	41
067503	12	20	124390	05	07	125816	15	14	126202	07	31
067515	12	12	124391	05	04	125817	15	01	127191	12	02
067515	13	11	124395	05	08	125821	11	82	127192	12	06
071706	07	75	124396	07	02	125824	09	08	127193	13	02
071709	05	46	124402	07	43	125824	12		127194	13	03
071709	07	77	124404	05	01	125825	09	26	127195	13	04
072580	09	19	124405	05	02	125827	15	17	127196	12	10
072587	11	65	124408	16	03	125828	11	83	127198	12	19
072602	11	57	124411	07	16	125830	09	02	520063	07	09
076099	05	12	124412	07	15	125831	09	05	520084	07	78
077093	11	81	124413	07	12	125832	09	09	602980	12	05
077093	14		124414	07	04	125833	15	11	602981	12	04
077093	14		124415	07	08	125837	15	03	602983	12	03
077094	14	05	124416	07	06	125838	09	10	604190	12	18
077095	14	04	124417	07	05	125839	09	03	650403	11	22
077096	14	03	124419	07	25	125842	11	07	650437	05	34
077097	14	02	124423	07	03	125843	09	21	650437	07	54
077098	14	01	124426	07	21	125844	11	35	650448	15	18
079259	15	04	124427	07	20	125847	11	33	650452	11	60
087596	11	45	124428	07	17	125848	11	04	650485	09	27
088044	11	36	124429	07	18	125849	09	55	650486	07	55
112211	13	05	124430	16	01	125849	11	31	650486	15	06
112213	13	06	124434	07	01	125851	11	34	650486	16	15
112214	13	09	124441	16	07	125852	11	06	650487	05	27
112215	13	10	124442	07	07	125852	11	06	650488	07	60
112216	13	07	124444	16	05	125866	16	06	650490	07	63
						125868	07	32	650491	05	36

# BT3200 - NUMERICAL INDEX

---

Part No.	Page No.	Ref. No.	Part No.	Page No.	Ref. No.	Part No.	Page No.	Ref. No.	Part No.	Page No.	Ref. No.
650494	07	69	650985	15	16	653007	15	09	654022	15	20
650495	07	70	651067	07	62	653007	16	19	654024	05	30
650517	13	01	651104	05	44	653010	05	40	654024	07	58
650542	07	51	651144	09	49	653010	07	66	654024	09	28
650573	05	26	651144	11	63	653010	09	44	654024	11	74
650573	05	28	651148	07	72	653015	09	18	654024	15	08
650573	07	56	651148	09	47	653015	11	62	654024	16	18
650585	07	71	651148	11	88	653018	07	74	654026	05	39
650687	16	16	651150	07	76	653034	11	64	654026	07	65
650704	05	35	651151	05	47	653038	07	67	654028	09	17
650734	11	72	651210	11	47	653038	09	45	654028	11	61
650758	09	23	651294	09	16	653044	05	43	654030	05	42
650810	05	29	653005	07	53	654006	05	38	654030	07	73
650810	09	30	653005	09	25	654009	11	84	654049	05	37
650810	11	73	653005	15	21	654012	05	45	654049	09	46
650810	15	07	653007	05	33	654014	09	48	655016	09	42
650810	16	17	653007	07	59	654022	07	52	655018	09	43
650811	05	41	653007	09	32	654022	09	24	655028	05	25
650863	15	19	653007	11	75	654022	11	23	655041	07	50
650878	11	86									

---

<b>Part No.</b>	<b>Page No.</b>	<b>Ref. No.</b>	<b>Part No.</b>	<b>Page No.</b>	<b>Ref. No.</b>	<b>Part No.</b>	<b>Page No.</b>	<b>Ref. No.</b>	<b>Part No.</b>	<b>Page No.</b>	<b>Ref. No.</b>
---------------------	---------------------	---------------------	---------------------	---------------------	---------------------	---------------------	---------------------	---------------------	---------------------	---------------------	---------------------

---

**Notes**

# BT3200 - NUMERICAL INDEX

---

---

Part No.	Page No.	Ref. No.	Part No.	Page No.	Ref. No.	Part No.	Page No.	Ref. No.	Part No.	Page No.	Ref. No.
-------------	-------------	-------------	-------------	-------------	-------------	-------------	-------------	-------------	-------------	-------------	-------------

---

## Notes

## TORQUE SPECIFICATIONS

**NOTE:** Use these torque values when tightening **GEHL** hardware (excluding: Locknuts and Self-tapping, Thread Forming and Sheet Metal Screws) unless specified otherwise.

All torque values are in Lb-Ft except those marked with an \* which are Lb-In  
(For metric torque value Nm, multiply Lb-Ft value by 1.355 or Lb-In value by 0.113)

Unified National Thread	Grade 2		Grade 5		Grade 8	
	Dry	Lubed	Dry	Lubed	Dry	Lubed
<b>8-32</b> <b>8-36</b>	19* 20*	14* 15*	30* 31*	22* 23*	41* 43*	31* 32*
<b>10-24</b> <b>10-32</b>	27* 31*	21* 23*	43* 49*	32* 36*	60* 68*	45* 51*
<b>1/4-20</b> <b>1/4-28</b>	66* 76*	50* 56*	9 10	75* 86*	12 14	9 10
<b>5/16-18</b> <b>5/16-24</b>	11 12	9	17 19	13 14	25	18 20
<b>3/8-16</b> <b>3/8-24</b>	20 23	15 17	30 35	23 25	45 50	35
<b>7/16-14</b> <b>7/16-20</b>	32 36	24 27	50 55	35 40	70 80	55 60
<b>1/2-13</b> <b>1/2-20</b>	50 55	35 40	75 90	55 65	110 120	80 90
<b>9/16-12</b> <b>9/16-18</b>	70 80	55 60	110 120	80 90	150 170	110 130
<b>5/8-11</b> <b>5/8-18</b>	100 110	75 85	150 180	110 130	220 240	170 180
<b>3/4-10</b> <b>3/4-16</b>	175 200	130 150	260 300	200 220	380 420	280 320
<b>7/8-9</b> <b>7/8-14</b>	170 180	125 140	430 470	320 360	600 660	460 500
<b>1-8</b> <b>1-14</b>	250 270	190 210	640 710	480 530	900 1000	680 740

**GEHL**®

**Gehl Company** 143 Water Street, P.O. Box 179, West Bend, WI 53095-0179