



Operator's Manual

TURBO HOP PENDULAR SPREADERS ACCESSORIES

LEFT ONLY & RIGHT ONLY DIRECTIONAL ATTACHMENT

AZ8-300 (fits models Turbo Hop 301 & 303)

SHORT SPOUT FOR SAND AND SALT

AZ2-300 (fits models Turbo Hop 301 & 303)

RUBBER INSERT FOR DAMP MATERIAL

AZ4-300 (fits models Turbo Hop 301 & 303)

FILTER GRATE

AZ6-303 (fits model Turbo Hop 303)

HYDRAULIC GATE CONTROL

AZ3-303 (fits models Turbo Hop 303)

AGITATOR

AZ1-301 (fits model Turbo Hop 301)

AZ7-303 (fits models Turbo Hop 303)

LOCKING NUT FOR SPOUT

001-4984 (fits models Turbo Hop 301 & 303)

HOPPER COVER

009-9724 (fits model Turbo Hop 301-350)

009-9725 (fits model Turbo Hop 303-600)

The operator's manual is a technical service guide and must always accompany the machine.

Manual 971-381B

June 2010

SAFETY

Take note! This safety alert symbol found throughout this manual is used to call your attention to instructions involving your personal safety and the safety of others. Failure to follow these instructions can result in injury or death.



*This symbol means:
ATTENTION!
BECOME ALERT!
YOUR SAFETY IS INVOLVED!*

Signal Words

Note the use of the signal words DANGER, WARNING and CAUTION with the safety messages. The appropriate signal words for each have been selected using the following guidelines:



DANGER: Indicates an imminently hazardous situation that, if not avoided, will result in death or serious injury.



WARNING: Indicates a potentially hazardous situation that, if not avoided, could result in death or serious injury, and includes hazards that are exposed when guards are removed. It may also be used to alert against unsafe practices.



CAUTION: Indicates a potentially hazardous situation that, if not avoided, may result in minor or moderate injury.

INDEX

1 - GENERAL INFORMATION	4
1.01 - General	4
1.02 - Left Only & Right Only Directional Attachment	5
1.03 - Short Spout for Sand and Salt	6
1.04 - Rubber Insert	6
1.05 - Filter Grate	6
1.06 - Hydraulic Gate Control Assembly	6
1.07 - Agitator Extension	7
1.08 - Locking Nut for Spout	7
1.09 - Hopper Cover	7
2 - SAFETY PRECAUTIONS	9
2.01 - Preparation	9
2.02 - Starting and Stopping	10
2.03 - Messages and Signs	10
PARTS MANUAL	11

1 - GENERAL INFORMATION

Thank you and congratulations for having chosen our accessory. It is technologically advanced and constructed of high quality, sturdy components that will fulfill your working expectations. Read this manual carefully. It will instruct you on how to operate and service your implement safely and correctly. Failure to do so could result in personal injury and/or in equipment damage.

1.01 - General

Available as an option for the BEFCO line of Turbo Hop pendular spreaders are:

- A left only and right only directional attachment (for models Turbo Hop 301 & 303) that allows to spread material exclusively to the left or to the right of the unit.
- A short spout for sand and salt made of nylon and reinforced fiberglass (for models Turbo Hop 301 & 303).
- A rubber insert used when spreading high moisture product (for models Turbo Hop 301 & 303).
- A filter grate ideal for filtering clots and foreign objects from the material being spread (for model Turbo Hop 303).
- A hydraulic gate control that allows the operator to control the opening and closing of the gate using the tractors hydraulic system for easy fertilizer flow control from tractor seat, ideal for tractors equipped with cabin (available for model Turbo Hop 303).
- An agitator extension used when powdered or high humidity fertilizer is being spread (available in 2 versions, one for the Turbo Hop 301 and one that fits the Turbo Hop 303).
- A galvanized locking nut for the spout, ideal when the operator often has to change the spreading direction on the spout (for models Turbo Hop 301 & 303).
- A heavy duty cover that helps to keep moisture out of the material being spread. Cover also prevents light material from being blown over the top of the hopper before being spread (available for Turbo Hop 301 & 303-600).



CAUTION: Unless otherwise specified, all hardware is metric. Use only metric tools on metric hardware. Other tools that do not fit properly can slip and cause injury.



WARNING: Before adjusting the spreader or filling the hopper, be sure the tractor PTO is not engaged, the tractor is shut off, and the key is removed from the tractor ignition.



CAUTION: Load hopper with product only after the spreader has been properly attached to the tractor.



WARNING: Chemicals may cause eye, skin or breathing problems. Always wear a face mask, gloves and goggles when filling hopper. Refer to chemical manufacturer's label for specific safety information.



WARNING: Use a tractor with a cab and appropriate filters on the ventilation system or wear a breathing mask capable of filtering toxic powders to prevent inhalation of product.

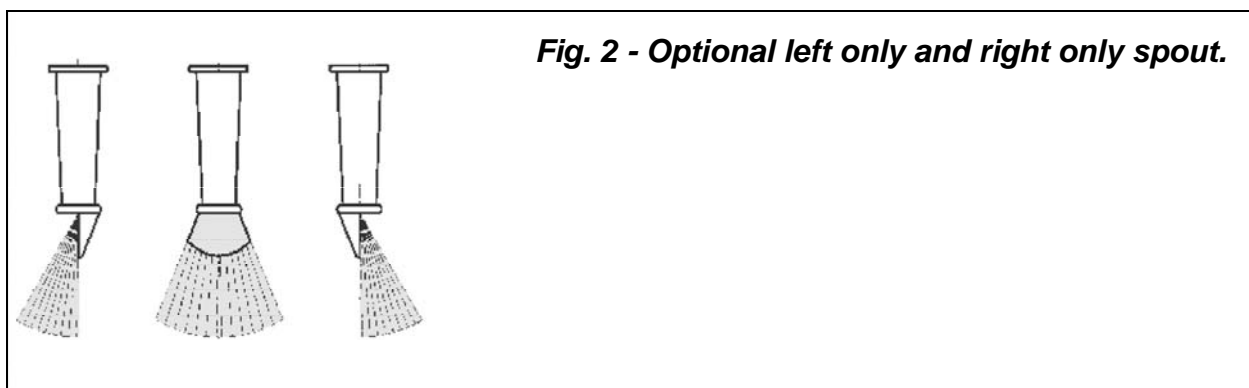


DANGER: Never allow anyone within 100 yards of a pendular spreader while the PTO is engaged. Product thrown from the spreader can cause serious injury or death.



DANGER: Never allow any person inside the hopper for any reason. Serious injury or death can result from someone becoming entangled in the agitator.

1.02 - Left Only & Right Only Directional Attachment



Although the standard spread deflector can be adjusted to spread only to the left or only to the right, the optional directional attachment improves accuracy when spreading in either direction. To assemble, unscrew the standard spread deflector and screw in the Left/Right directional attachment. Fits all models of pendular spreaders (**part # AZ8-300**).

1.03 - Short Spout for Sand and Salt

The sand & salt spout is available for all pendular spreader models and is used to cut the spread width in half. To assemble standard spout must be removed and sand & salt spout is bolted on in its place **(part # AZ2-300)**.

1.04 - Rubber Insert

The rubber insert is available for all pendular spreader models and is used when spreading high moisture product such as damp fertilizer or peat. The rubber insert provides a high viscosity surface that lets humid material flow through the spout better **(part # AZ4-300)**.

1.05 - Filter Grate

The filter grate is a simple bolt-on accessory available for pendular spreader models 303-600, 303-800 & 303-999 and is ideal for filtering clots and foreign objects from the material being spread **(part # AZ6-303)**.

1.06 - Hydraulic Gate Control Assembly

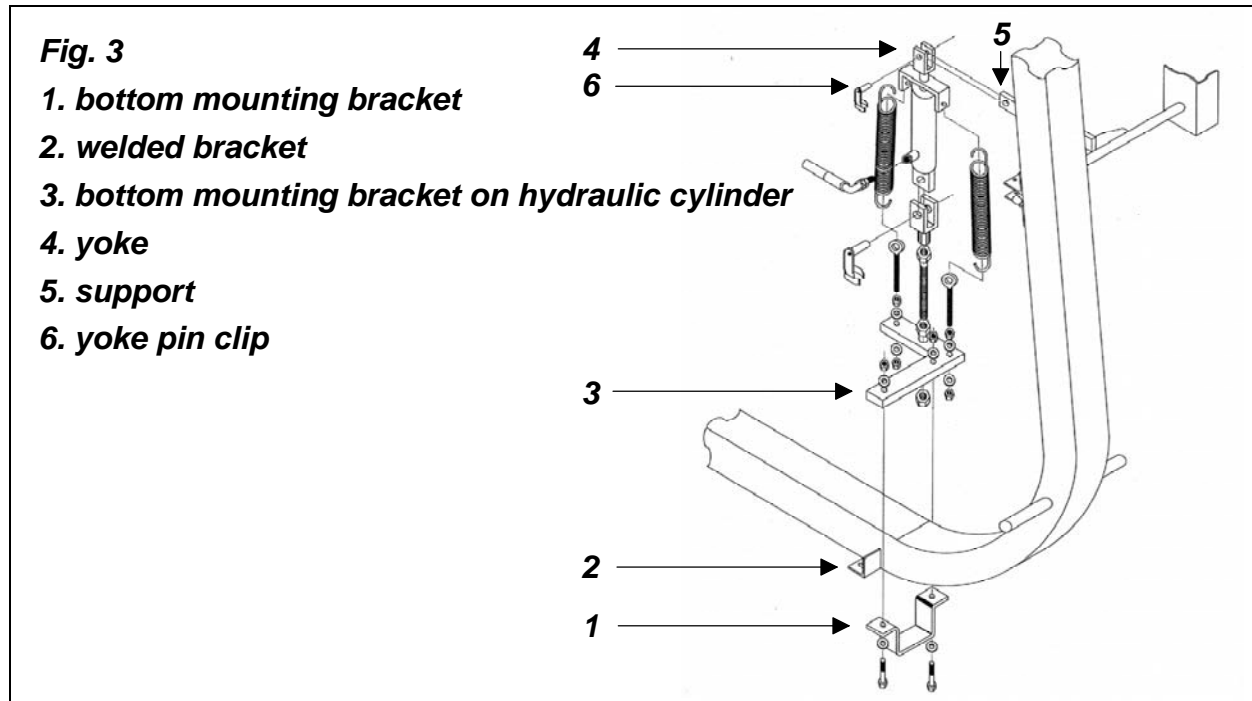
The hydraulic gate control available for pendular spreader models 303-600, 303-800 & 303-999 allows operator to control the opening and closing of the gate using the tractors hydraulic system **(part # AZ3-303)**.



WARNING: High pressure hydraulic oil leaks can penetrate skin resulting in injury, gangrene or death. Be sure to relieve any hydraulic oil pressure before disconnecting any lines or pipes between spreader and tractor hydraulic system. Check for oil leaks using a cardboard, never use hands.

To assemble the hydraulic gate control proceed as follows:

1. With spreader removed from the tractor and on stable ground, position the hydraulic gate control assembly on the right side of the spreader.
2. Remove from the hydraulic gate control assembly, the bottom mounting bracket **(see #1, fig. 3)**, bolts, washers and nuts.
3. Position the bottom mounting bracket **(see #1, fig. 3)** in front of the welded bracket on the bottom of the frame **(see #2, fig. 3)** and assemble using provided hardware to bottom mounting bracket on hydraulic cylinder **(see #3, fig. 3)**. Loosely assemble hardware.
4. Connect yoke **(see #4, fig. 3)** to support **(see #5, fig. 3)** using the yoke pin clip **(see #6, fig. 3)**.
5. Tighten all hardware securely and position hydraulic hoses in a safe route towards the tractor.



1.07 - Agitator Extension

The agitator extension accessory available for all pendular spreader models is best suited when powdered or high humidity fertilizer is being spread. This type of material has a tendency to bridge in the hopper. The agitator extension is assembled on the existing agitator using the supplied spring. (Part # AZ1-301 for model 301-350 or part # AZ7-303 for models 303-600, 303-800, 303-999).

IMPORTANT: Heavy clods such as compacted salt must be broken up before being used in the spreader.

1.08 - Locking Nut for Spout

The galvanized locking nut available for the spout is ideal when operator often has to change the spreading direction on the spout. This accessory allows user to adjust the spout to spread in the desired direction and to be held in place with the help of the locking nut.

To assemble, unscrew the spread deflector, screw in the locking nut, screw the spout to desired position and use locking nut to tighten. Fits all models of pendular spreaders (part # 001-4984).

1.09 - Hopper Cover

The hopper cover is available for model 301-350 and 303-600. This heavy duty cover helps to keep moisture out of the material being spread. Cover also prevents powdered

material from being blown over the top of the hopper before being spread. (**Part # 009-9724 for model 301-350 or part # 009-9725 for model 303-600**).

2 - SAFETY PRECAUTIONS

Safety is the primary concern in the design and manufacture of our products. Unfortunately our efforts to provide safe equipment can be wiped out by a single careless act of an operator. In addition to the design and configuration of equipment, hazard control and accident prevention are dependent upon the awareness, concern, prudence and proper training of personnel involved in the operation, transport, maintenance and storage of equipment. It is the operator's responsibility to read and understand all safety and operating instructions in the manual and to follow these.

Allow only properly trained personnel to operate the fertilizer spreader. Working with unfamiliar equipment can lead to careless injuries. Read this manual, the pendular spreader manual and the manual for your tractor, before assembly or operation, to acquaint yourself with the machines. It is the spreader owner's responsibility, if this machine is used by any person other than yourself, is loaned or rented, to make certain that the operator, prior to operating, reads and understands the operator's manuals and is instructed in safe and proper use.

2.01 - Preparation



1. Before operating equipment read and understand the operator's manual and the safety signs (**see Pendular Spreader Operator's Manual**).
2. Thoroughly inspect the implement before initial operation to assure that all packaging materials, i.e., wires, bands, and tape have been removed.
3. Personal protection equipment including hard hat, safety glasses, safety shoes, and gloves are recommended during assembly, installation, operation, adjustment, maintaining and/or repairing the implement.
4. Operate the fertilizer spreader only with a tractor equipped with an approved Roll-Over-Protective-System (ROPS). Always wear your seat belt. Serious injury or even death could result from falling off the tractor.
5. Clear area of stones, branches or other debris that might be thrown, causing injury or damage.
6. Operate only in daylight or good artificial light.
7. Ensure fertilizer spreader is properly mounted, adjusted and in good operating condition.
8. Ensure that all safety shielding and safety signs are properly installed and in good condition.
9. Chemicals may cause eye, skin or breathing problems. Always wear a face mask, gloves and goggles when filling hopper.
10. Before loading the fertilizer in the hopper read carefully the instructions printed on the fertilizer canvas bag concerning the precautions to be taken in case of toxicity or corrosivity of the product. Before loading switch off the engine and remove the ignition key.

11. Load hopper with product only after the spreader has been properly attached to the tractor.

2.02 - Starting and Stopping



1. Be sure that no one is near the machine prior to engaging or while the machine is working.
2. Be sure the tractor is in "Neutral" before starting engine.
3. The operating power is supplied from tractor PTO. Refer to your tractor manual for PTO engagement and disengagement instructions. Always operate PTO at 540 rpm. Know how to stop the tractor and machine quickly in case of an emergency.
4. When engaging PTO, the engine rpm should always be low. Once engaged and ready to start operating, raise PTO speed to 540 rpm and maintain throughout operation.
5. Check the tractor master shield over the PTO stub shaft. Make sure it is in good condition and fastened securely to the tractor. Purchase a new shield if old shield is damaged or missing.
6. After striking an obstacle, disengage the PTO, shut the tractor down and thoroughly inspect for damage before restarting.
7. To park the vehicle safely, stop vehicle on a level surface (not on a slope), disengage PTO, engage the parking brake, stop the engine, remove the key, and wait for engine and all moving parts to stop before leaving the operator's seat.
8. Stay clear of rotating drivelines. Entanglement in rotating driveline can cause serious injury or death. Wear close fitting clothing. Stop the engine and be sure PTO driveline is stopped before getting near it.

2.03 - Messages and Signs



1. Read and adhere to all safety and operating decals on this machine (**see Pendular Spreader Operator's Manual**).
2. Before dismounting tractor: Stop engine, set brake and remove the key of unattended equipment.
3. Keep away from rotating parts and driveline.
4. Keep guards and shields in place and in good condition.
5. Do not use with bystanders in area.
6. Allow no riders on tractor or fertilizer spreader.
7. Allow moving parts to stop before repair.
8. Securely support fertilizer spreader before working underneath.

Additional warning and operating decals are available at no extra charge. Please specify model and serial number when ordering.

BEFCO®

Parts Manual

TURBO HOP PENDULAR SPREADERS ACCESSORIES

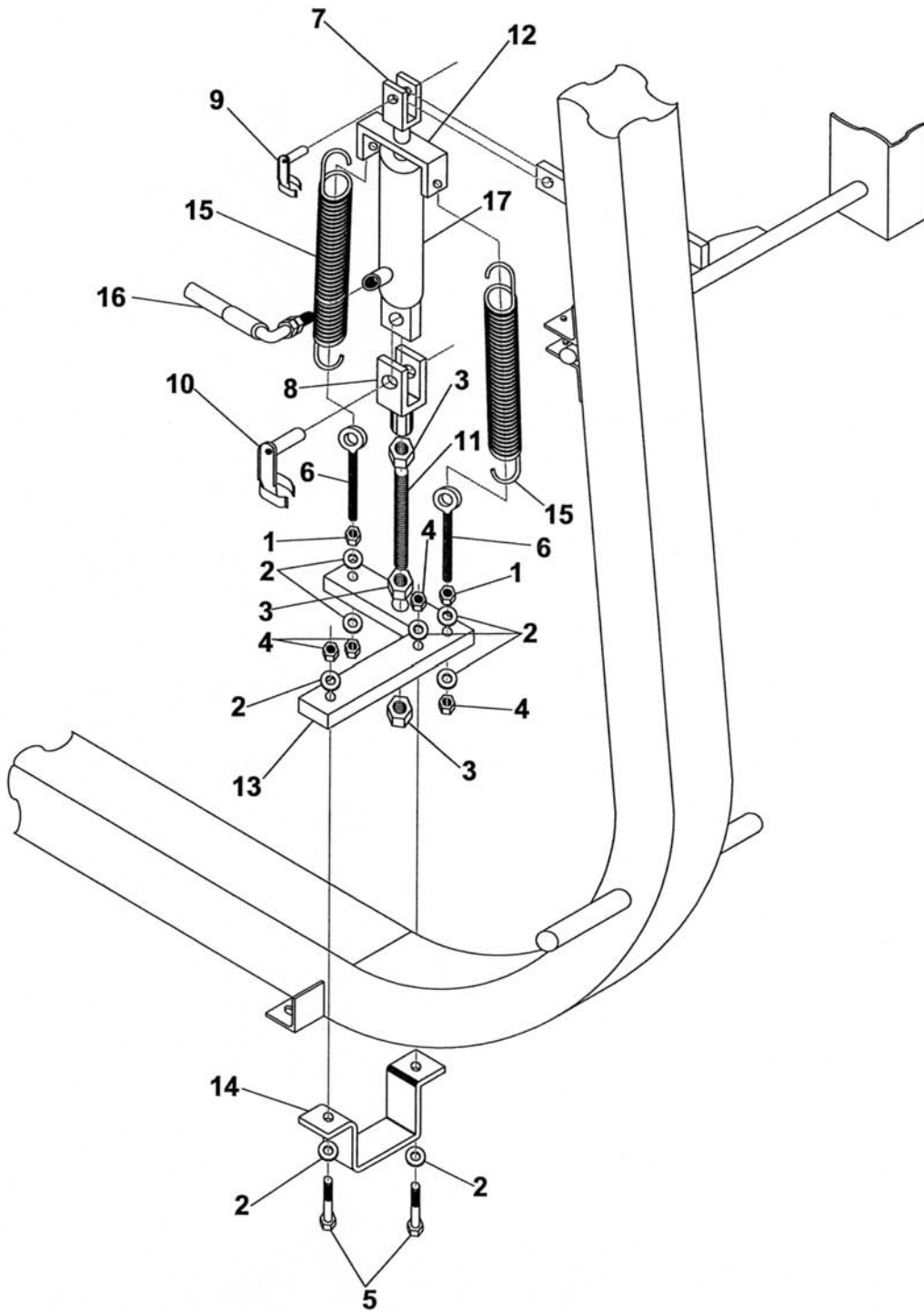
HYDRAULIC CONTROL

AZ3-303 (fits models Turbo Hop 303)

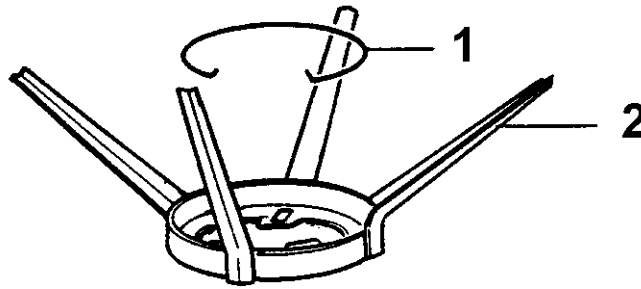
AGITATOR

AZ1-301 (fits model Turbo Hop 301)

AZ7-303 (fits models Turbo Hop 303)



Ref.	Part #	Description	Qty.
1	000-1279	Nut HH M10-1.50 C6 TK Z	2
2	000-2034	Washer flat Ø10 W	8
3	000-3124	Nut HH M16-2.00 C6 Z MD	3
4	001-4106	Nut ES M10-1.50 Z TK	4
5	002-6329	Bolt HH M10-1.50x45 C8.8 Z F	2
6	263-709R	Threaded eyebolt	2
7	264-057R	Yoke Ø12	1
8	264-089R	Yoke Ø16	1
9	264-546R	Yoke pin clip Ø12	1
10	264-559R	Yoke pin clip Ø16	1
11	265-032R	Threaded rod M16x110	1
12	366-042R	Top mounting bracket, hydraulic cylinder	1
13	366-044R	Bottom mounting bracket, hydraulic cylinder	1
14	366-207R	Bottom mounting bracket	1
15	610-444R	Spring	2
16	652-055R	Hydraulic hose	1
17	653-405R	Hydraulic cylinder	1
	950-408B	Decal "WARNING - High pressure hydraulic oil leaks"	1
	AZ3-303	Hydraulic gate control, complete; 303-600, 303-800, 303-999	-



Ref.	Part #	Description	Qty.
1	611-715R	Spring, powder agitator	1
2	393-820R	Powder agitator; 301-350	1
	393-815R	Powder agitator; 303-600, 303-800, 303-999	1
	AZ1-301	Agitator, complete; 301-350	-
	AZ7-303	Agitator, complete; 303-600, 303-800, 303-999	-

Use only original spare parts

All rights reserved. It is unlawful to copy, reprint or use any of the information or details in this manual without the expressed written permission of the Company. Technical information provided in this manual is approximate, the Company reserves the right to modify or improve the models shown for technical or commercial purposes. Pictures in this manual do not necessarily show the machine as delivered.

BEFCO[®]

P.O. Box 6036

Rocky Mount, NC 27802-6036

Tel.: 252.977.9920 - Fax: 252.977.9718

www.befco.com

