

Form No.
909799
Revision B

2500, 2600 & 2800

Quick Wrap



PARTS MANUAL

GEHL® AGRICULTURE

Introduction

When ordering service parts, specify the correct part number, full description, quantity required, the unit model number and serial number.

The model number and serial number for the Quick Wrap attachment is on a decal located on the right panel assembly behind the shield. “Right” and “left” are determined from a position standing at the rear of the unit facing the direction of travel. From this position, the net brake is on the left side.

Gehl Company reserves the right to make changes or improvements in the design or construction of any part of the unit without incurring the obligation to install such changes on any previously delivered units.

Refer to the abbreviations table located on this page for the various fastener descriptions. Standard attaching hardware torque values are provided on the inside back cover.

In the exploded view parts list, Reference Numbers may have additional information following the Reference Number. Tear Drop symbol will indicate an application of a “wet” product such as oil, and the number inside the Tear Drop will correspond to the description in the Parts List. A number inside a hexagon will be the torque value required, in foot pounds, on the associated Reference Number. Items shown in the parts list that do not have Reference Numbers are shown for reference purposes only and are NOT available for purchase.

Unless otherwise specified, all cap screws or bolts are Grade 5, zinc plated; hexagon nuts for Grade 5 cap screws or bolts are Grade B; hexagon nuts for other screws or bolts are Grade A.

NOTE: *The following abbreviations may be used herein:*

A/R	- As Required
ASSD	- Assembled
ASSY	- Assembly
CB	- Carriage Bolt
CCW	- Counterclockwise
CP	- Cotter Pin

CS	- Cap Screw (Hexagon Head)
CTR	- Center
CW	- Clockwise
DEG	- Degree
DIA	- Diameter
FCS	- Flanged Cap Screw
FHMS	- Flat Head Machine Screw
FL	- Flanged
FLN	- Flanged Lock Nut (Hexagon)
FLS	- Flanged Lock Screw (Hexagon)
FW	- Flat Washer
GA	- Gauge
GR	- Grade
HD	- Hard or Head
HN	- Hex Nut
INCL	- Includes
JT	- Joint
LG	- Large
LN	- Lock Nut
LW	- Lock Washer
LT	- Left
M	- Metric
MM/mm	- Millimeter
NF	- National Fine
PB	- Plow Bolt
PTO	- Power Take Off
RHMS	- Round Head Machine Screw
RPM	- Revolutions Per Minute
RT	- Right
SERR	- Serrated
SHCS	- Socket Head Cap Screw
SHSS	- Socket Head Set Screw
SN	- Serial Number or Slotted Nut
SQ	- Square
T	- Tooth or Teeth
TFS	- Thread Forming Screw
THMS	- Truss Head Machine Screw
THRD	- Thread
WLDMT	- Weldment
#	- Number



- Torque Required in foot pounds



- Indicates a Fluid Application

TABLE OF CONTENTS

Introduction	Inside Front Cover
Table of Contents	1
Decal Locations	2-3
Common Parts	4-11
Unique Parts	12-17
Wiring Harness	18
Baler Update Kit	19
Update Kit Wiring Harnesses	20-21
Alphabetical Index	22
Numerical Index	23-24
Standard Hardware Torque Specifications	Inside Back Cover

DECAL LOCATIONS

GENERAL INFORMATION

Decal locations information is provided to assist in the proper selection and application of new decals, in the event the original decals become damaged or the machine is repainted. Refer to the listing for the illustration reference number, part number, description and quantity of each decal. Refer to the appropriate illustrations for replacement locations.

NOTE: Refer to the *SAFETY* chapter of the *Operator's Manual* for the specific information provided on all of the various safety decals.

To ensure proper selection for correct replacement decals, compare all of the various close-up location photographs to your machine before starting to refinish the unit. Then, circle each pictured decal (applicable to your machine) while checking off its part number in the listing.

NEW DECAL APPLICATION

Surfaces **MUST** be free from dirt, dust, grease and other foreign material before applying the new decal. To apply a solid-formed decal, remove the smaller portion of the decal backing paper and apply this part of the exposed adhesive backing to the clean surface while maintaining proper position and alignment. Slowly peel off the other portion of the backing paper while applying hand pressure to smooth out the decal surface.



CAUTION

ALWAYS observe safety rules shown on decals. If decals become damaged, or if the unit is repainted, replace the decals. If repainting, **BE SURE** that **ALL** decals that apply to your machine are affixed to your unit.

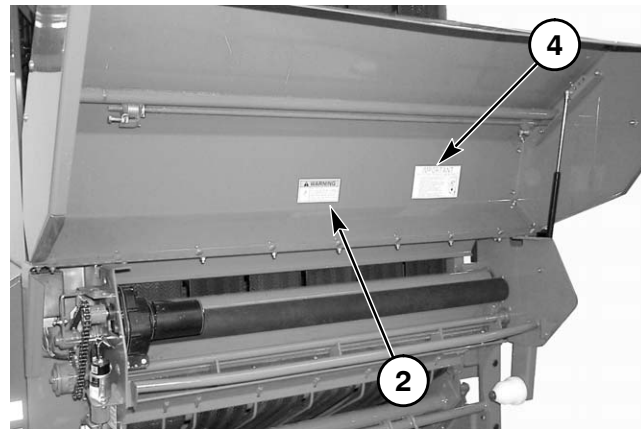
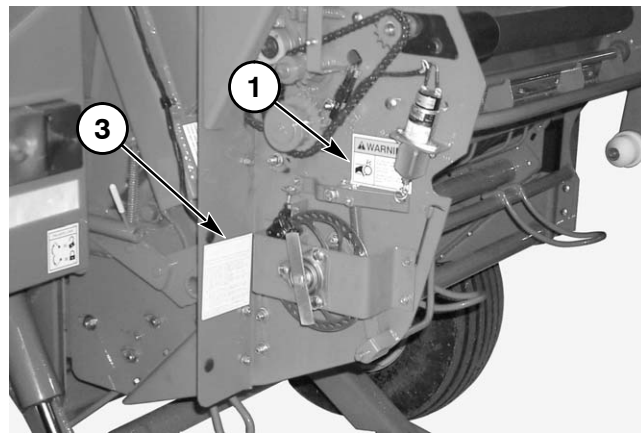
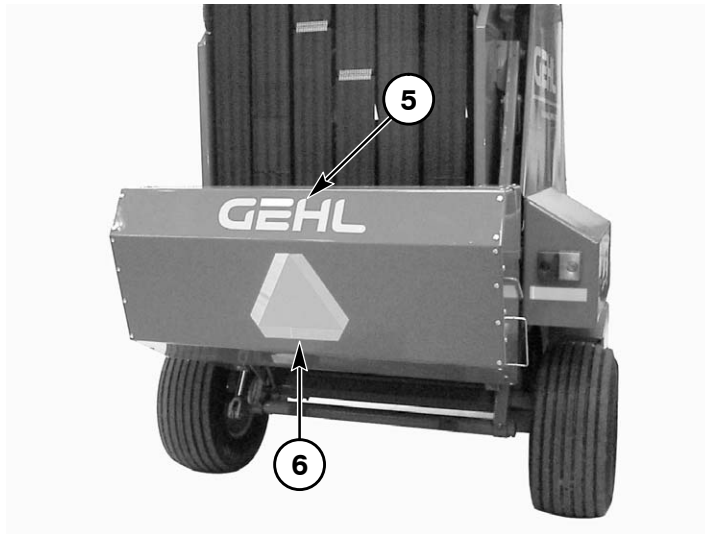
PAINT NOTICE

Use this list to order paint for refinishing:

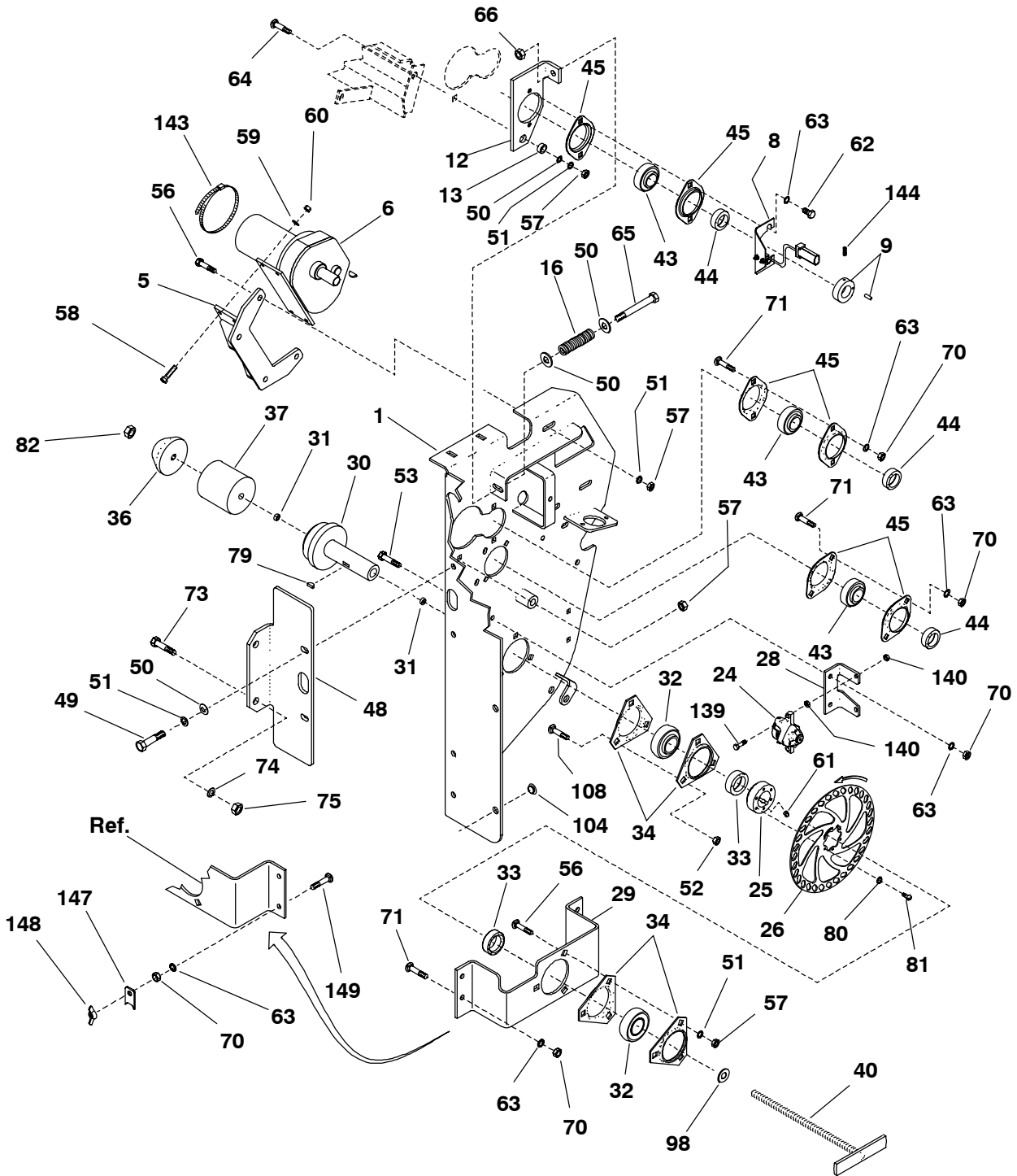
906315	One Gal. AG Red
902872	One Qt. Light Grey
906316	6 (12 oz. Spray Cans) AG Red
902874	6 (12 oz. Spray Cans) Light Grey

Individual decal sets for the 2500, 2600 and 2800 Quick Wrap attachments are **NOT** available. Order decals by individual part numbers:

Ref. No.	Part No.	Description & Quantity
1	093457	WARNING - Keep Door Closed
2	124982	WARNING - Pinch Point Hazard
3	145668	Brake Adjustment
4	159341	Net Instructions
5	094914	GEHL
6	145234	SMV



QW2580-2880 - COMMON PARTS

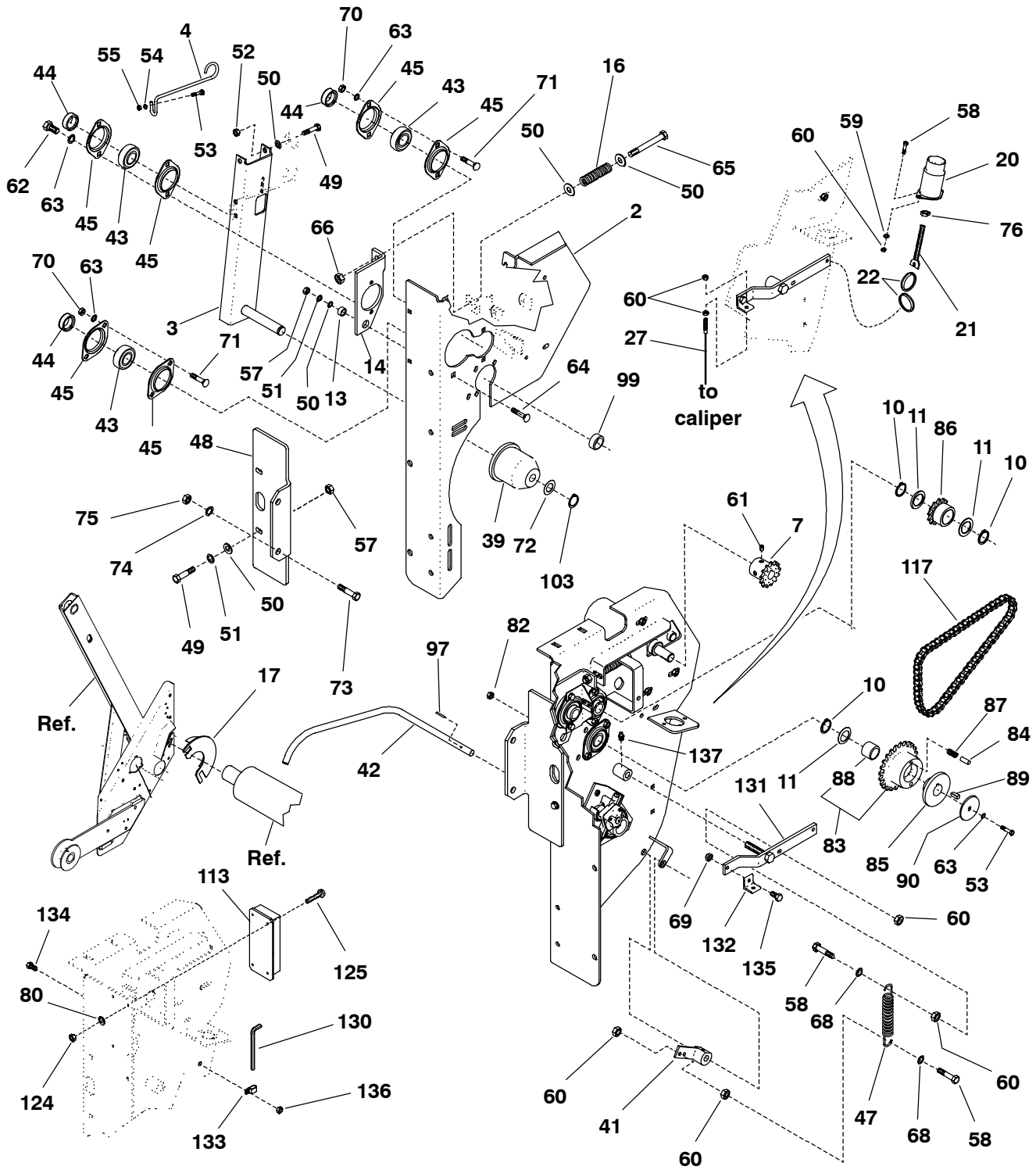


QW2580-2880 - COMMON PARTS

Ref. No.	Part No.	Description	Qty. Req.	Ref. No.	Part No.	Description	Qty. Req.
01	158606	PANEL ASSY/LT	1	56	650704	CB 3/8 X 1	7
05	157219	MOUNT/MOTOR	1	57	653010	HN 3/8	10
06	157861	GEARMOTOR	1	58	650835	CS 1/4 X 1	4
08	112586	PINCH COUNT SWITCH	1	59	654022	LW 1/4	4
09	118517	ASSY/RING	1	60	653005	HN 1/4	4
12	158767	PLATE/LT. BRG.	1	61	650204	SHSS 5/16 X 3/8	1
13	158990	SPACER	1	62	650484	CS 5/16 X 1/2	2
16	111330	SPRING	1	63	654024	LW 5/16	15
24	170385 _a	BRAKE CALIPER	1	64	650786	CB 3/8 X 1-1/4	1
25	158804	HUB	1	65	650742	CS 3/8 X 4	1
26	156596	DISC	1	66	067847	NILN 3/8	1
28	158832	SUPPORT/BRAKE	1	70	653007	HN 5/16	10
29	144924	FLANGE	1	71	650687	CB 5/16 X 3/4	8
30	145508	SHAFT/BRAKE	1	73	650494	CS 1/2 X 1	2
31	144879	SPACER	2	74	654009	FW 1/2	2
32	520065	BEARING/BALL	2	75	653018	HN 1/2	2
33	520085	COLLAR/BEARING	2	79	650938	KEY/WOODRUFF 3/16 X 5/8	1
34	027003	RETAINER/BEARING	4	80	650549	LW #10	6
36	145256	CONE	1	81	650548	RHMS #10-24 X 1/2	6
37	157186	DONUT/RUBBER	1	82	071706	LN 1/2	1
40	157143	HANDLE ASSY	1	104	420-19509	STOP/RUBBER	4
43	520063	BEARING/BALL	3	108	650790	CB 3/8 X 3/4	3
44	520084	COLLAR/ BEARING	3	139	656082	CS M 6 X 25	2
45	B11335	RETAINER/BEARING	6	140	656047	NUT/HEX M6-1.00	4
48	157097	BRACKET/MOUNTING	1	143	074091	TIE/NYLON	1
49	650490	CS 3/8 X 1	2	144	650199	SHSS 1/4 X 1/2	1
50	654006	FW 3/8	5	147	173283	WRENCH/BRAKE	1
51	654026	LW 3/8	10	148	653094	NUT/WING LIGHT 5/16	1
52	071703	LN 3/8	3	149	650745	CB 5/1 X 1-1/4	1
53	650486	CS 5/16 X 3/4	2				

a) For replacement brake pad kit order 159335.

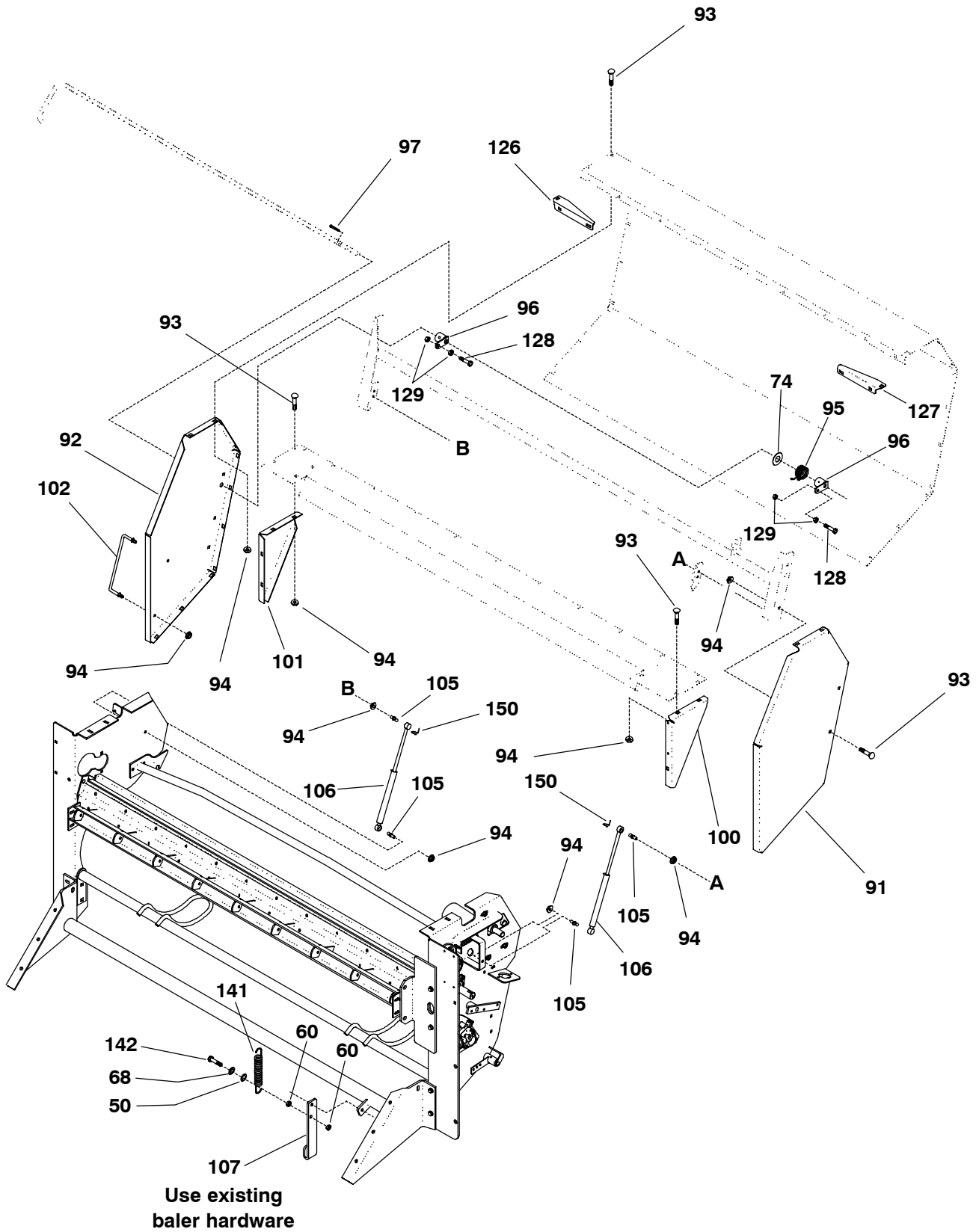
QW2580-2880 - COMMON PARTS



QW2580-2880 - COMMON PARTS

Ref. No.	Part No.	Description	Qty. Req.	Ref. No.	Part No.	Description	Qty. Req.
02	158652	PANEL ASSY/RT	1	65	650742	CS 3/8 X 4	1
03	158866	ROLL SUPPORT/RH	1	66	067847	NILN 3/8	1
04	158914	LATCH ROD	1	68	654002	FW 1/4	2
07	158845	SPKT/40A13T	1	69	071401	NILN 1/4	1
10	076161	RING/RETAINING	3	70	653007	HN 5/16	4
11	111324	BEARING/THRUST	3	71	650687	CB 5/16 X 3/4	4
13	158990	SPACER	1	72	B11162	FW 25/32	1
14	158764	PLATE/RT. BRG.	1	73	650494	CS 1/2 X 1	2
16	111330	SPRING	1	74	654009	FW 1/2	2
17	158816	ASSY/NET SHIELD	2	75	653018	HN 1/2	2
20	158988	SOLENOID	1	76	650546	HN 1/4	1
21	078237	BOLT/EYE	1	80	650549	LW #10	4
22	078238	RING/SPLIT	2	82	071706	LN 1/2	1
27	159088	CABLE/BRAKE	1	83	159908	ASSY/SPROCKET	1
39	157443	CONE/UHMW	1	84	159027	PIN/DOWEL	2
41	158963	ARM ASSY	1	85	158907	HUB	1
42	158960	ARM/NET	1	86	159256	SPROCKET ASSY/40A13	1
43	520063	BEARING/BALL	3	87	159083	SPRING/COMPRESSION	2
44	520084	COLLAR/ BEARING	3	88	17H238	BRONZE BUSHING	1
45	B11335	RETAINER/BEARING	6	89	078139	KEY/SQUARE	1
47	6H175	SPRING/CONV HOLD/DOWN	1	90	17H361	FW/WASHER/SAFETY	1
48	157097	BRACKET/MOUNTING	1	97	116083	PIN/SPIRAL	4
49	650490	CS 3/8 X 1	4	99	131672	TUBE/IDLER SPACER	1
50	654006	FW 3/8	5	103	067950	RING/RETAINING	1
51	654026	LW 3/8	3	113	158989	MODULE/RELAY	1
52	071703	LN 3/8	2	117	159400	CHAIN/ROLLER #40	1
53	650486	CS 5/16 X 3/4	2	124	650550	HN MS #10-24	4
54	654004	FW 5/16	1	125	650815	RHMS #10-24 X 3/4	4
55	071701	LN 5/16	1	130	157147	WRENCH/HEX 5/32	1
57	653010	HN 3/8	3	131	157132	ASSY/PIVOT	1
58	650835	CS 1/4 X 1	4	133	068256	CLAMP	1
59	654022	LW 1/4	2	134	650488	CS 3/8 X 3/4	1
60	653005	HN 1/4	8	136	090666	FLN 3/8	1
61	650204	SHSS 5/16 X 3/8	2	132	157189	ANGLE	1
62	650484	CS 5/16 X 1/2	2	135	650663	CS 1/4 X 5/8	1
63	654024	LW 5/16	7	137	570019	FITTING/GREASE	1
64	650786	CB 3/8 X 1-1/4	1				

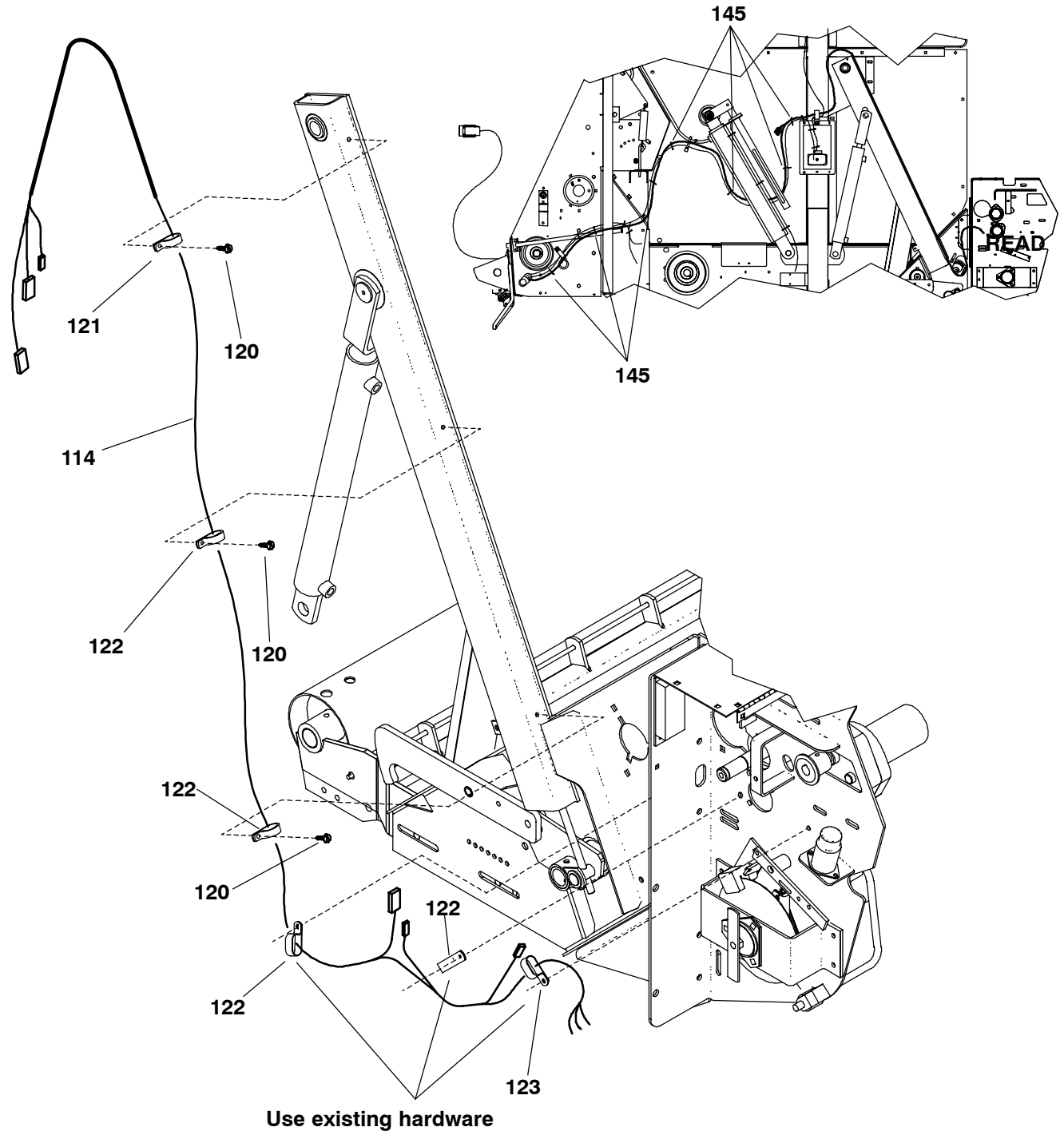
QW2580-2880 - COMMON PARTS



QW2580-2880 - COMMON PARTS

Ref. No.	Part No.	Description	Qty. Req.	Ref. No.	Part No.	Description	Qty. Req.
58	650835	CS 1/4 X 1	1	101	157077	SHIELD/RT	1
60	653005	HN 1/4	2	102	119664	HANDLE/LIFT	1
68	654002	FW 1/4	1	105	122485	STUD/BALL	4
74	654009	FW 1/2	2	106	157230	SPRING/GAS	2
91	159073	SHIELD/LT	1	107	159281	ARM	1
92	158777	SHIELD/RT	1	126	159443	BRACE/RT	1
93	651096	CB 5/16 X 1/2	34	127	159444	BRACE/LT	1
94	070648	FLN 5/16	40	128	650491	CS 3/8 X 1-1/4	2
95	071325	SPRING/TORSION	1	129	653038	HJN 3/8	4
96	159173	ARM ASSY/LATCH	2	141	061112	SPRING/EXTENSION	1
97	116083	PIN/SPIRAL	3	142	650588	CS 1/4X1-1/2	1
100	158848	SHIELD/LT	1	150	132493	CLIP/GAS SPRING	4

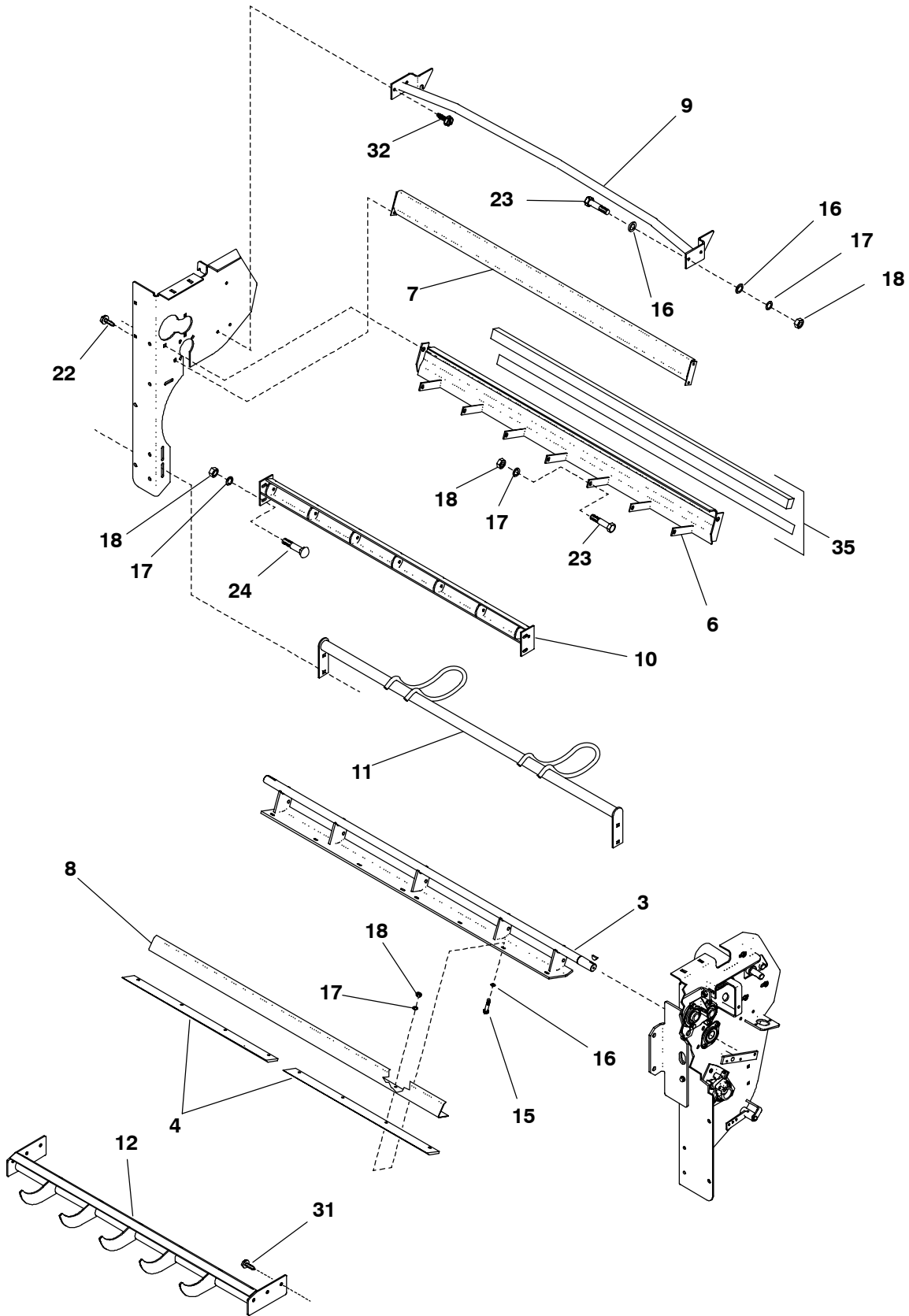
QW2580-2880 - COMMON PARTS



QW2580-2880 - COMMON PARTS

Ref. No.	Part No.	Description	Qty. Req.	Ref. No.	Part No.	Description	Qty. Req.
114	158921	HARNESS/QUICKWRAP	1	122	076147	CLAMP/HOSE	4
120	650510	TFS 5/16 X 1/2	3	123	097860	CLAMP/HOSE DOUBLE	2
121	095619	CLAMP/HOSE	1	145	055648	TIE/WIRE	6

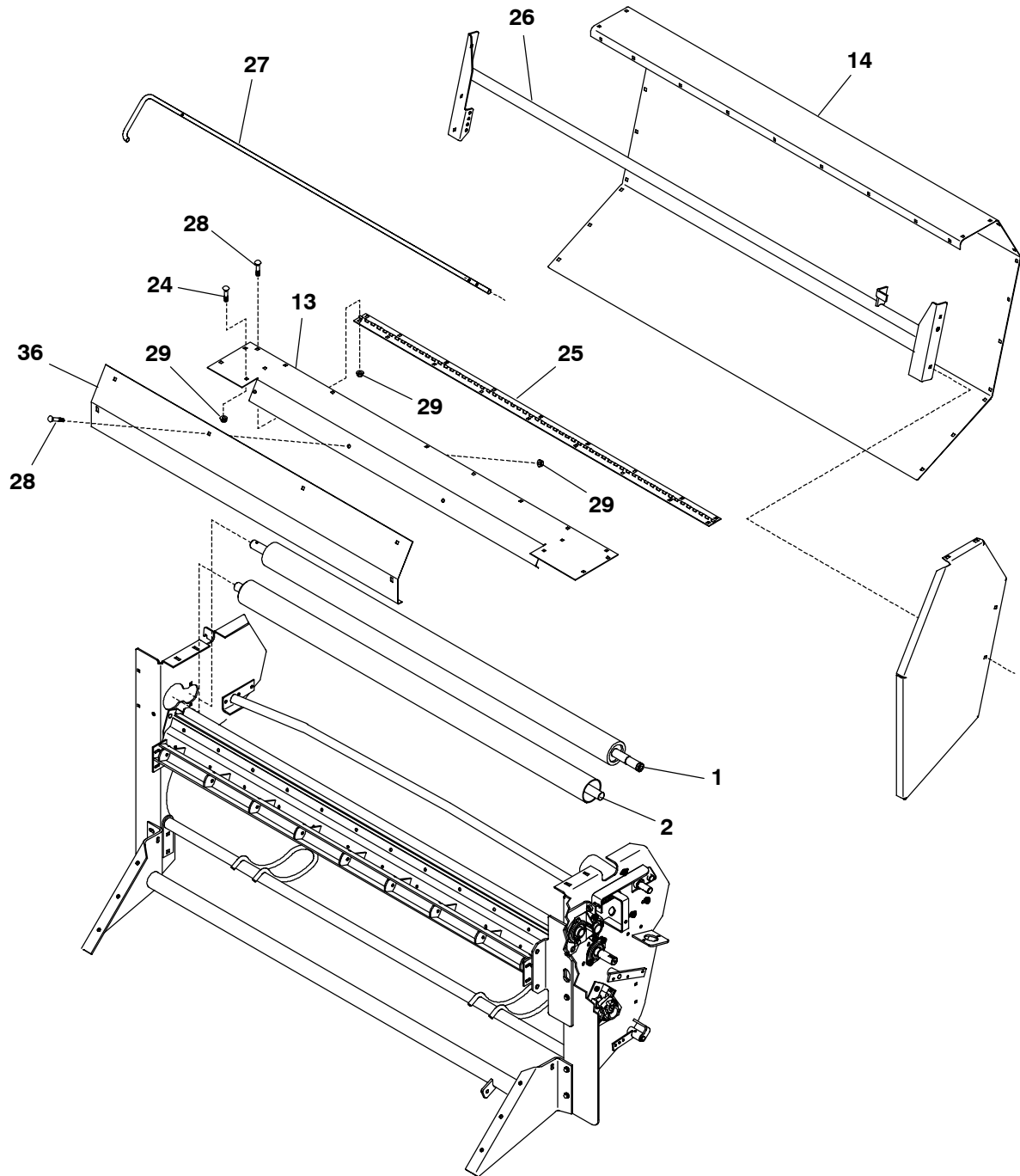
QW2500-2800 - UNIQUE PARTS



QW2500-2800 - UNIQUE PARTS

Ref. No.	Part No.	Description	Quantity		
			2500	2600	2800
03	157168	ASSY/BLADE MOUNT	1	1	-
	158247	ASSY/BLADE MOUNT	-	-	1
04	099197	BLADE	2	2	-
	125646	BLADE	-	-	2
06	158757	GUIDE/FRONT	1	1	-
	153548	GUIDE/FRONT	-	-	1
07	158752	GUIDE	1	1	-
	158775	GUIDE	-	-	1
08	158979	PAN/4 FT KNIFE GUARD	1	1	-
	158982	PAN/5 FT KNIFE GUARD	-	-	1
09	153692	ASSY/SPREADER BAR	1	1	-
	157956	BAR ASSY/5 FT SPREADER BAR	-	-	1
10	157839	GUIDE/BELT ASSY	1	1	-
	158308	GUIDE/BELT ASSY	-	-	1
11	158839	TUBE/ASSY	1	1	-
	158900	TUBE/ASSY	-	-	1
12	159972	ASSY/4 FT GUIDE PAN	1	1	-
	159818	ASSY/5 FT GUIDE PAN	-	-	1
15	650487	CS 5/16 X 1	8	8	10
16	654004	FW 5/16	14	14	16
17	654024	LW 5/16	23	23	27
18	653007	HN 5/16	23	23	27
22	650510	TFS 5/16 X 1/2	4	4	4
23	650486	CS 5/16 X 3/4	10	10	12
24	650687	CB 5/16 X 3/4	4	4	4
31	651168	TFS 3/8 X 3/4	6	6	6
32	061872	TFS 5/16 X 3/4	1	1	1
35	170083	PAD KIT/4' NETWRAP KNIFE	1	1	-
	170084	PAD KIT/5' NETWRAP KNIFE	-	-	1

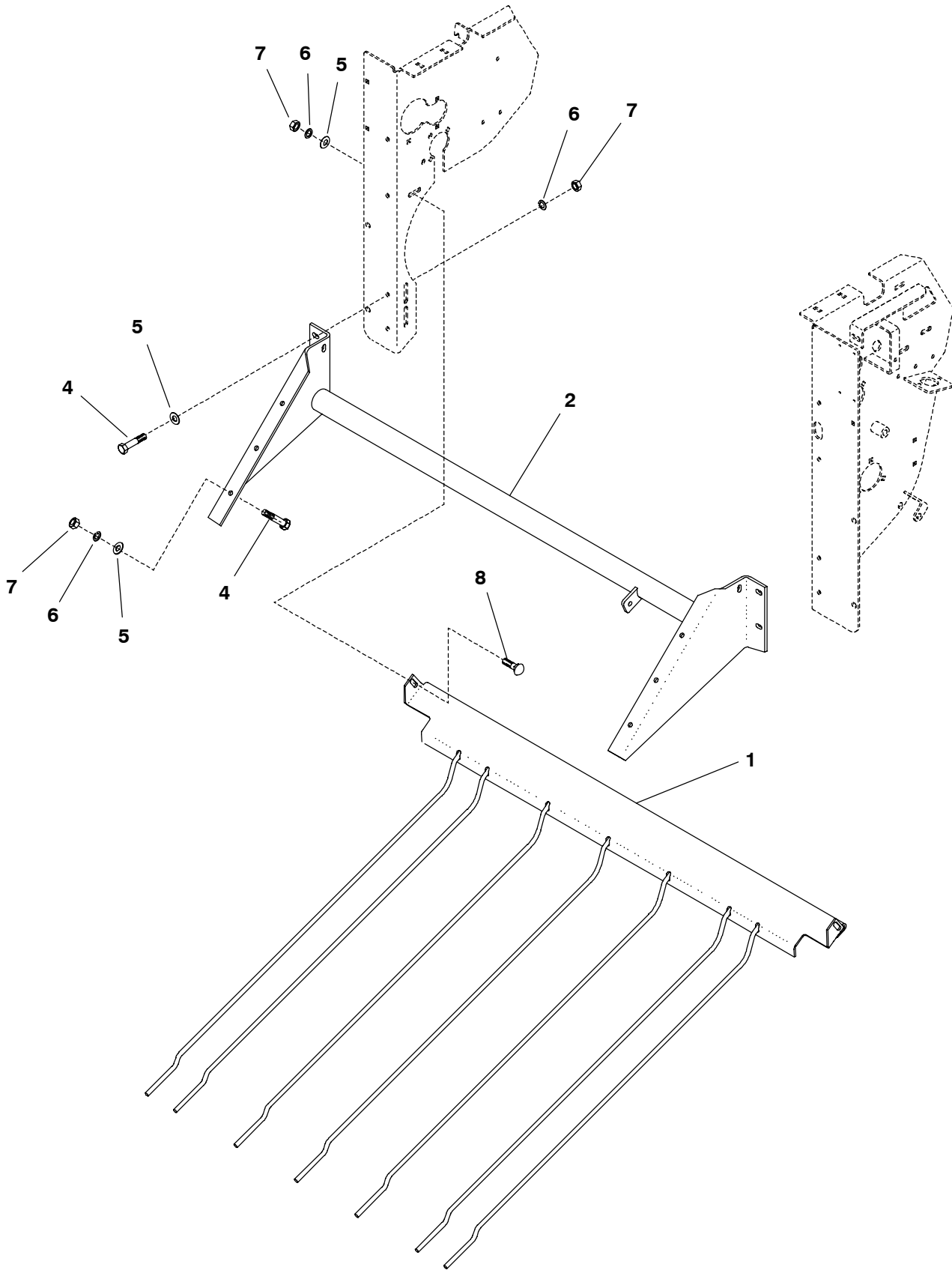
QW2580-2880 - UNIQUE PARTS



QW2500-2800 - UNIQUE PARTS

Ref. No.	Part No.	Description	Quantity		
			2500	2600	2800
01	113378	ROLL/DRIVE ASSY	1	1	-
	113379	ROLL/DRIVE ASSY	-	-	1
02	159225	ROLL/IDLER ASSY	1	1	-
	159226	ROLL/IDLER ASSY	-	-	1
13	158773	SHIELD/TOP	1	1	-
	159036	SHIELD/TOP	-	-	1
14	158854	DOOR/NET WRAP	1	1	-
	159037	DOOR/NET WRAP	-	-	1
24	650687	CB 5/16 X 3/4	4	4	4
25	159118	HINGE	1	1	-
	159107	HINGE	-	-	1
26	159227	TUBE ASSY/TORQUE	1	1	-
	159104	TUBE ASSY/TORQUE	-	-	1
27	159174	HANDLE/LATCH	1	1	-
	159257	HANDLE/LATCH	-	-	1
28	651096	CB 5/16X1/2	20	20	25
29	070648	FLN 5/16	28	28	35
36	174267	SHIELD/TOP	1	1	-
	174394	SHIELD/TOP	-	-	1

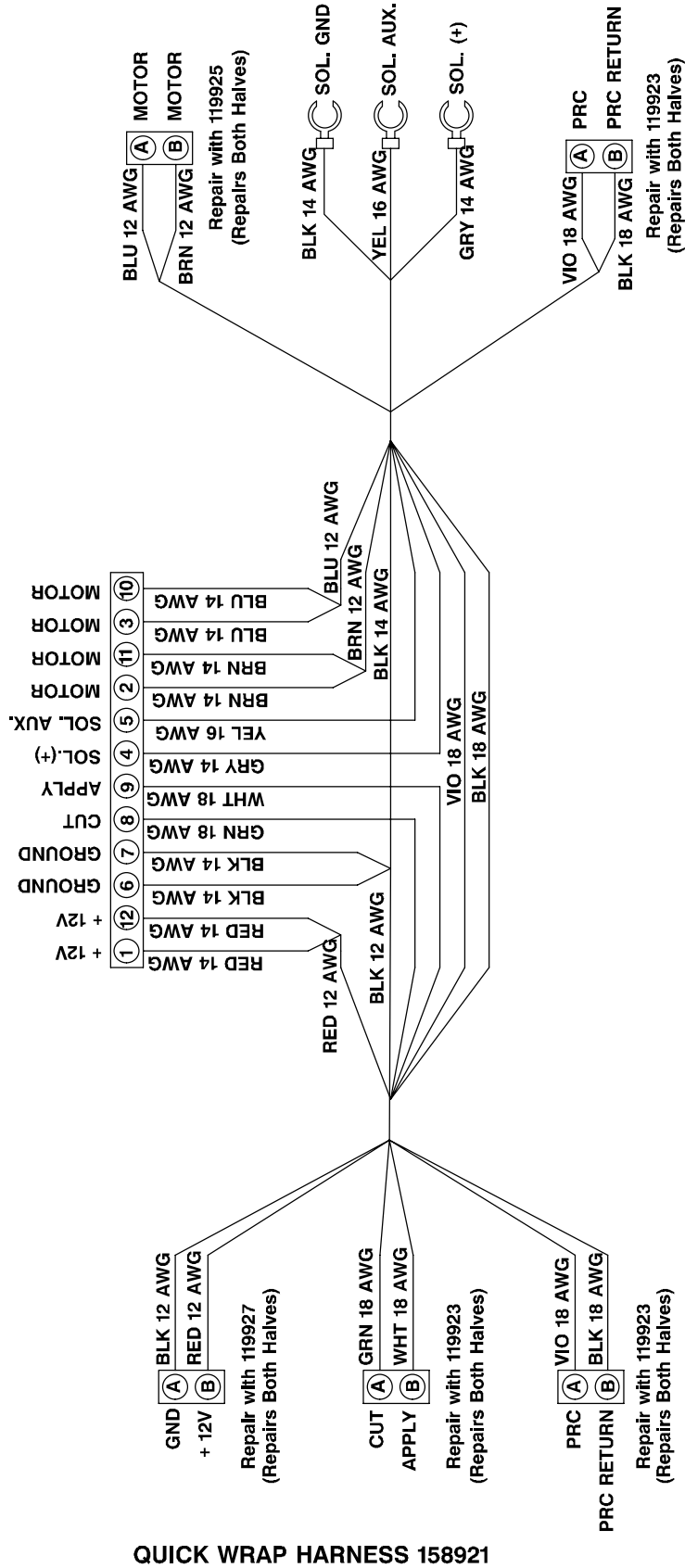
QW2580-2880 - UNIQUE PARTS



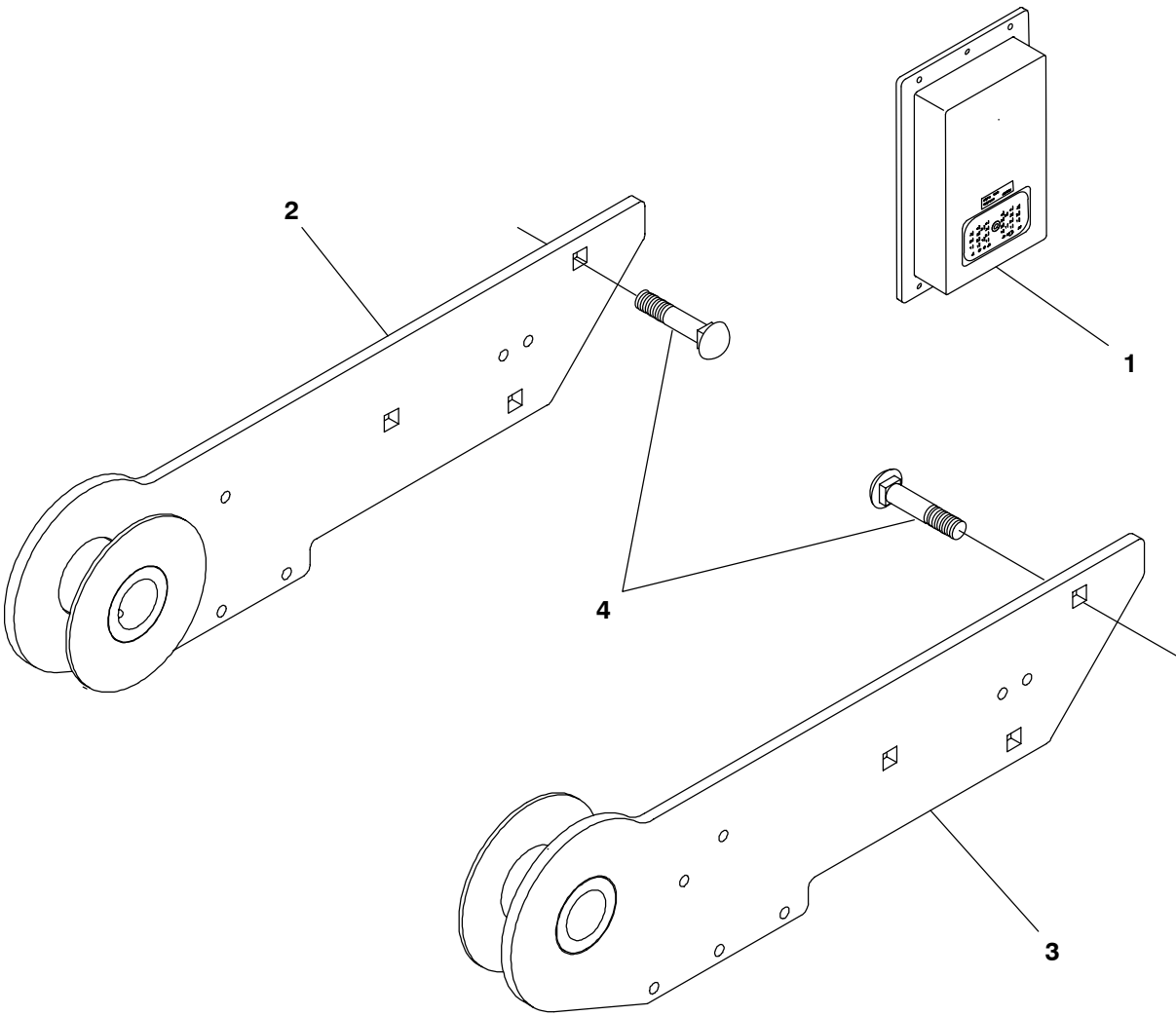
QW2500-2800 - UNIQUE PARTS

Ref. No.	Part No.	Description	Quantity		
			2500	2600	2800
01	158864	GUIDE ASSY/NET	1	-	-
	158858	GUIDE ASSY/NET	-	1	-
	158325	GUIDE ASSY/NET	-	-	1
02	159286	BRACKET ASSY/NET	1	-	-
	159284	BRACKET ASSY/NET	-	1	-
	159278	BRACKET ASSY/NET	-	-	1
04	0650490	CS 3/8X1	10	10	10
05	654006	FW 3/8	12	12	12
06	654026	LW 3/8	12	12	12
07	653010	HN 3/8	12	12	12
08	650704	CB 3/8 X 1	2	2	2

QW2580-2880 - WIRING HARNESS

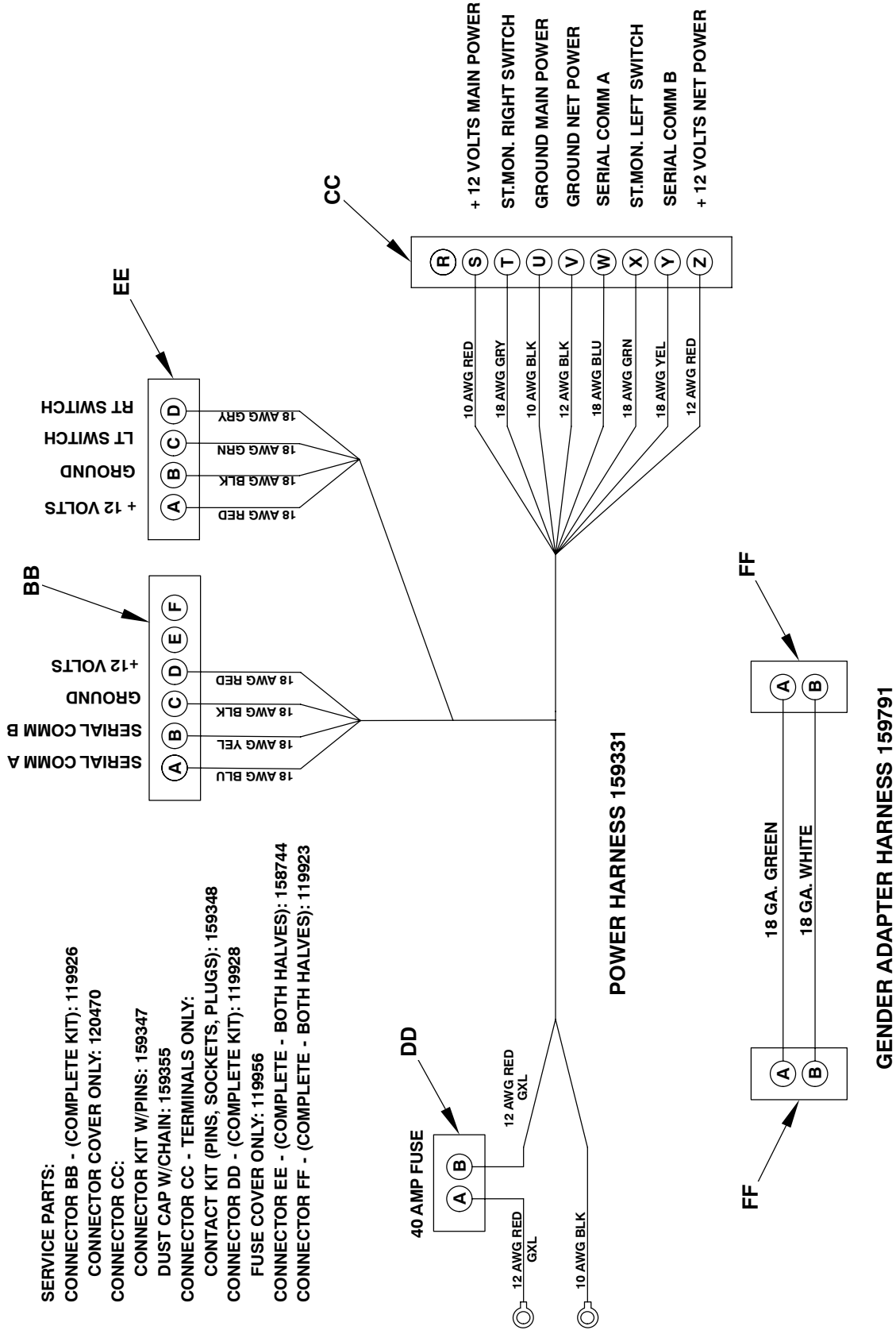


QW2580-2880 - BALER UPDATE KIT

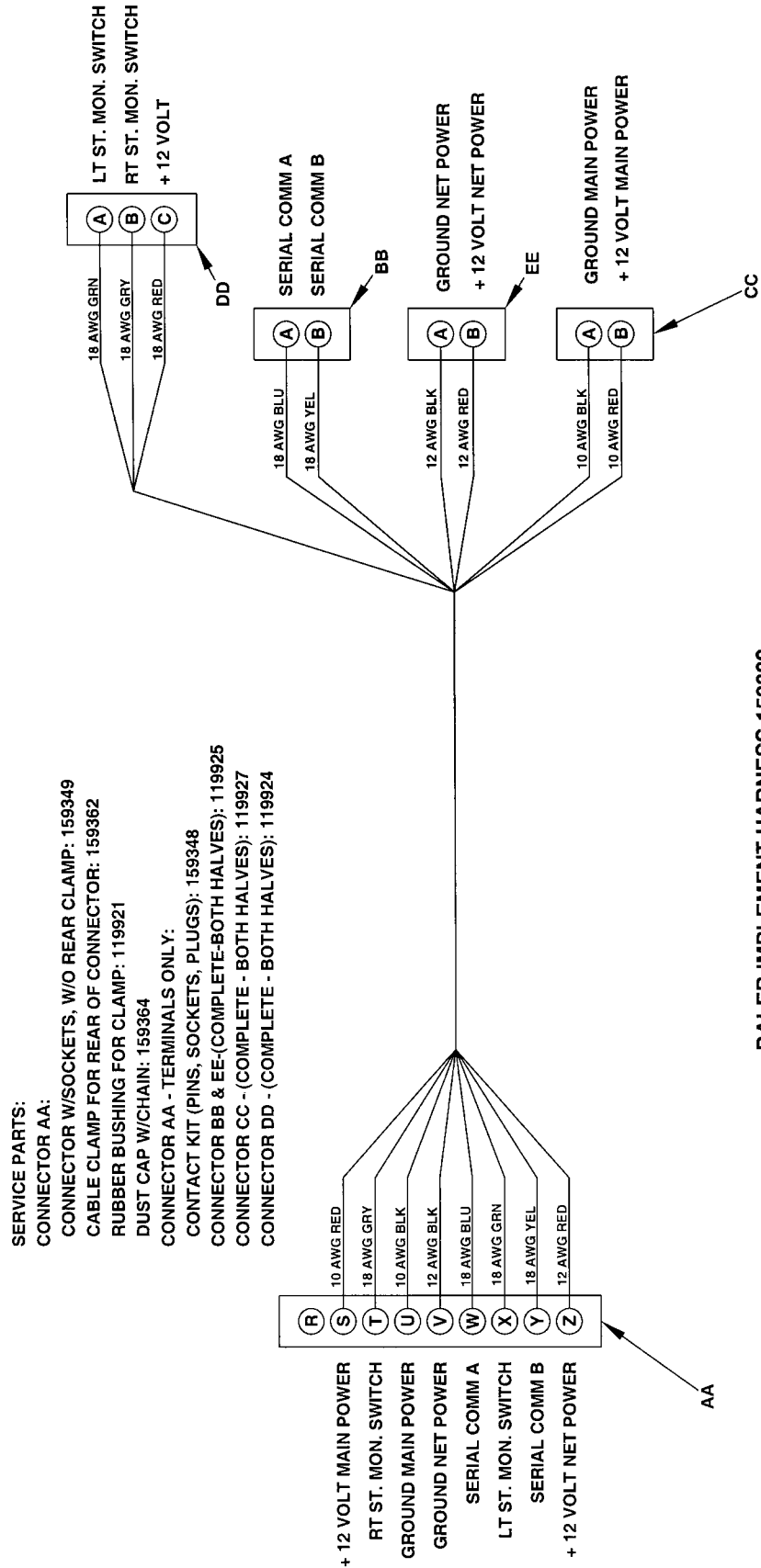


Ref. No.	Part No.	Description	Qty. Req.	Ref. No.	Part No.	Description	Qty. Req.
01	158765	IMPLEMENT MODULE 80 SERIES	1	03	158797	ARM/GATE ROLLER ASSY	1
02	158798	ARM/GATE ROLLER ASSY	1	04	650834	CB 1/2 X 1-1/2	6

QW2580-2880 - WIRING HARNESSES, BALER UPDATE KIT



QW2580-2880 - WIRING HARNESSES, BALER UPDATE KIT



Index

B

Baler update kit, 19

C

Common parts, 4

D

Decal Application, 2

Decal Locations, 2–4

I

Introduction, 2

P

Paint Notice, 2

U

Unique parts, 12

W

Wiring harness, 18

Wiring harnesses, baler update kit,
20

QW2500-2800 - NUMERICAL INDEX

Part No.	Page No.	Ref. No.	Part No.	Page No.	Ref. No.	Part No.	Page No.	Ref. No.	Part No.	Page No.	Ref. No.
6H175	07	47	119923	18	00	158752	13	07	159174	15	27
17H238	07	88	119923	20	00	158757	13	06	159225	15	02
17H361	07	90	119924	21	00	158764	07	14	159226	15	02
B11162	07	72	119925	18	00	158765	19	01	159227	15	26
B11335	05	45	119925	21	00	158767	05	12	159256	07	86
B11335	07	45	119926	20	00	158773	15	13	159257	15	27
027003	05	34	119927	18	00	158775	13	07	159278	17	02
055648	11	145	119927	21	00	158777	09	92	159281	09	107
061112	09	141	119928	20	00	158797	19	03	159284	17	02
061872	13	32	119956	20	00	158798	19	02	159286	17	02
067847	05	66	120470	20	00	158804	05	25	159331	20	00
067847	07	66	122485	09	105	158813	13	12	159332	21	00
067950	07	103	124982	02	02	158816	07	17	159341	02	04
068256	07	133	125646	13	04	158832	05	28	159347	20	00
070648	09	94	131672	07	99	158839	13	11	159348	20	00
070648	15	29	132493	09	150	158845	07	07	159348	21	00
071325	09	95	144879	05	31	158848	09	100	159349	21	00
071401	07	69	144924	05	29	158849	13	05	159355	20	00
071701	07	55	145234	02	06	158854	15	14	159362	21	00
071703	05	52	145256	05	36	158858	17	01	159364	21	00
071703	07	52	145508	05	30	158864	17	01	159400	07	117
071706	05	82	145668	02	03	158866	07	03	159443	09	126
071706	07	82	153548	13	07	158900	13	11	159444	09	127
074091	05	143	153692	13	09	158907	07	85	159791	20	00
076147	11	122	156596	05	26	158914	07	04	159818	13	12
076161	07	10	157077	09	101	158921	11	114	159908	07	83
078139	07	89	157097	05	48	158921	18	00	170083	13	35
078237	07	21	157097	07	48	158960	07	42	170084	13	35
078238	07	22	157132	07	131	158963	07	41	170385	05	24
090666	07	136	157143	05	40	158979	13	08	173283	05	147
093457	02	01	157147	07	130	158982	13	08	520063	05	43
094914	02	05	157168	13	03	158988	07	20	520063	07	43
095619	11	121	157186	05	37	158989	07	113	520065	05	32
097860	11	123	157189	07	132	158990	05	13	520084	05	44
099197	13	04	157219	05	05	158990	07	13	520084	07	44
111324	07	11	157230	09	106	158991	07	13	520085	05	33
111330	05	16	157443	07	39	158991	13	05	570019	07	137
111330	07	16	157839	13	10	159027	07	84	650199	05	144
112586	05	08	157861	05	06	159036	15	13	650204	05	61
113378	15	01	157956	13	09	159037	15	14	650204	07	61
113379	15	01	158247	13	03	159073	09	91	650484	05	62
116083	07	97	158308	13	10	159083	07	87	650484	07	62
116083	09	97	158325	17	01	159088	07	27	650486	05	53
118517	05	09	158606	05	01	159104	15	26	650486	07	53
119664	09	102	158652	07	02	159107	15	25	650486	13	23
119921	21	00	158744	20	00	159118	15	25	650487	13	15
						159173	09	96	650488	07	134







QW2500-2800 - NUMERICAL INDEX

Part No.	Page No.	Ref. No.	Part No.	Page No.	Ref. No.	Part No.	Page No.	Ref. No.	Part No.	Page No.	Ref. No.
650490	05	49	650687	15	24	653005	05	60	654006	05	50
650490	07	49	650704	05	56	653005	07	60	654006	07	50
650490	17	04	650704	17	08	653005	09	60	654006	17	05
650491	09	128	650742	05	65	653007	05	70	654009	05	74
650494	05	73	650742	07	65	653007	07	70	654009	07	74
650494	07	73	650745	05	149	653007	13	18	654009	09	74
650510	11	120	650786	05	64	653010	05	57	654022	05	59
650510	13	22	650786	07	64	653010	07	57	654022	07	59
650546	07	76	650790	05	108	653010	17	07	654024	05	63
650548	05	81	650815	07	125	653018	05	75	654024	07	63
650549	05	80	650834	19	04	653018	07	75	654024	13	17
650549	07	80	650835	05	58	653038	09	129	654026	05	51
650550	07	124	650835	07	58	653094	05	148	654026	07	51
650588	09	142	650835	09	58	654002	07	68	654026	17	06
650663	07	135	650938	05	79	654002	09	68	656047	05	140
650687	05	71	651096	09	93	654004	07	54	656082	05	139
650687	07	71	651096	15	28	654004	13	16	420-19509	05	104
650687	13	24	651168	13	31						

TORQUE SPECIFICATIONS

NOTE: Use these torque values when tightening hardware (excluding: locknuts and self-tapping, thread forming and sheet metal screws) unless specified otherwise.

All torque values are in Lb-Ft except those marked with an *, which are Lb-In.
(For metric torque value Nm, multiply Lb-Ft value by 1.355 or Lb-In value by 0.113.)

Unified National Thread	Grade 2 		Grade 5 		Grade 8 	
	Dry	Lubed	Dry	Lubed	Dry	Lubed
8-32 8-36	19* 20*	14* 15*	30* 31*	22* 23*	41* 43*	31* 32*
10-24 10-32	27* 31*	21* 23*	43* 49*	32* 36*	60* 68*	45* 51*
1/4-20 1/4-28	66* 76*	50* 56*	9 10	75* 86*	12 14	9 10
5/16-18 5/16-24	11 12	9	17 19	13 14	25	18 20
3/8-16 3/8-24	20 23	15 17	30 35	23 25	45 50	35
7/16-14 7/16-20	32 36	24 27	50 55	35 40	70 80	55 60
1/2-13 1/2-20	50 55	35 40	75 90	55 65	110 120	80 90
9/16-12 9/16-18	70 80	55 60	110 120	80 90	150 170	110 130
5/8-11 5/8-18	100 110	75 85	150 180	110 130	220 240	170 180
3/4-10 3/4-16	175 200	130 150	260 300	200 220	380 420	280 320
7/8-9 7/8-14	170 180	125 140	430 470	320 360	600 660	460 500
1-8 1-14	250 270	190 210	640 710	480 530	900 1000	680 740
Metric Course Thread	Grade 8.8 		Grade 10.9 		Grade 12.9 	
	Dry	Lubed	Dry	Lubed	Dry	Lubed
M6-1	8	6	11	8	13.5	10
M8-1.25	19	14	27	20	32.5	24
M10-1.5	37.5	28	53	39	64	47
M12-1.75	65	48	91.5	67.5	111.5	82
M14-2	103.5	76.5	145.5	108	176.5	131
M16-2	158.5	117.5	223.5	165.5	271	200

GEHL®

Gehl Company 143 Water Street, P.O. Box 179, West Bend, WI 53095-0179, U.S.A.
(www.gehl.com)