

Form No.
909862
Revision B

1620

Forage Box



PARTS MANUAL

GEHL® AGRICULTURE

Introduction

When ordering service parts, specify the correct part number, full description, quantity required, the unit model number and serial number.

The model number and serial number for this unit are on a decal located on the front of the unloading unit near the PTO shaft. "Right" and "left" are determined from a position standing at the rear of the unit and looking toward the direction of travel. From this position, the cross conveyor is on the front and discharges from the "left" side.

GEHL Company reserves the right to make changes or improvements in the design or construction of any part of the unit without incurring the obligation to install such changes on any previously delivered units.

NOTE: *On original tire replacement, Company policy prohibits the sale of replacement tires for all GEHL machinery. Replacement wheel sets are available and tire size information is called out with the wheel sets to facilitate replacement tire selection. ALL REPLACEMENT TIRES MUST BE PURCHASED LOCALLY.*

Refer to the abbreviations table located on this page for the various fastener descriptions. Standard attaching hardware torque values are also provided on the inside back cover.

In the exploded view parts list, Reference Numbers may have additional information following the Reference Number.

Also, a number inside a hexagon will be the torque value required, in foot pounds, on the associated Reference Number. Items shown in the parts list that do not have Reference Numbers are shown for reference purposes only and are NOT available for purchase.

Unless otherwise specified, all cap screws or bolts are Grade 5, cadmium plated; hexagon nuts for Grade 5 screws or bolts are Grade B; hexagon nuts for other screws or bolts are Grade A.

Safety chain information is provided in the Running Gear parts manual. Please refer to this manual when ordering different size chains.

NOTE: *The following abbreviations may be used herein:*

A/R	- As Required
ASSD	- Assembled
ASSY	- Assembly
CB	- Carriage Bolt
CCW	- Counterclockwise
CP	- Cotter Pin
CS	- Cap Screw (Hexagon Head)
CTR	- Center
CW	- Clockwise
DEG	- Degree
DIA	- Diameter
FCS	- Flanged Cap Screw
FHMS	- Flat Head Machine Screw
FL	- Flanged
FLN	- Flanged Lock Nut (Hexagon)
FLS	- Flanged Lock Screw (Hexagon)
FW	- Flat Washer
GA	- Gauge
GR	- Grade
HD	- Hard or Head
HN	- Hex Nut
INCL	- Includes
JT	- Joint
LG	- Large
LN	- Lock Nut
LW	- Lock Washer
LT	- Left
M	- Metric
MM/mm	- Millimeter
NF	- National Fine
PB	- Plow Bolt
PTO	- Power Take Off
RHMS	- Round Head Machine Screw
RPM	- Revolutions Per Minute
RT	- Right
SERR	- Serrated
SHCS	- Socket Head Cap Screw
SHSS	- Socket Head Set Screw
SN	- Serial Number or Slotted Nut
SQ	- Square
T	- Tooth or Teeth
TFS	- Thread Forming Screw
THMS	- Truss Head Machine Screw
THRD	- Thread
WLDMT	- Weldment
#	- Number
	- Torque required in foot pounds

TABLE OF CONTENTS

Introduction	Inside Front Cover
Decal Locations	2-5
Beaters & Main Apron Drive	6-7
Cross Apron & Drive	8-9
Shields, Beater Clutch Belt Drive	10-11
Cross Conveyor Clutch - Belt Drive	12-13
Gearboxes	14-15
Box Components	16-17
Housing Components	18
Lights	19
Tie Down Kit	20
PTO Parts	21
Optional 12" Extension	22
Alphabetical Index	23
Numerical Index	24-26
Notes	27-28
Standard Hardware Torque Specifications	Inside Back Cover

DECAL LOCATIONS

GENERAL INFORMATION

Decal location information is provided to assist in the proper selection and application of new decals, in the event the original decals become damaged or the machine is repainted. Refer to the listing for the illustration reference number, part number, description and quantity of each decal provided in the kit. Refer to the appropriate illustrations for replacement locations.

NOTE: Refer to the *SAFETY* chapter of the *Operator's Manual* for the specific information provided on all of the various safety decals furnished in the decal kits.

To ensure proper selection of the correct replacement decals, compare all of the various closeup location photographs to your machine before starting to refinish the unit. Then circle each pictured decal applicable to your machine while checking off its part number in the listing. After you have verified all the decals needed for replacement, place any unneeded decals aside for disposal.

NEW DECAL APPLICATION

Surfaces **MUST** be free from dirt, dust, grease and other foreign material before applying the new decal. To apply, remove the smaller portion of the decal backing paper and apply this part of the exposed adhesive backing to the clean surface while maintaining proper position and alignment. Peel the other portion of the backing paper off slowly while applying hand pressure to smooth out decal surface.



CAUTION

ALWAYS observe safety precautions shown on decals. If decals become damaged, or if the unit is repainted, replace the decals. If repainting, **BE SURE** that **ALL** decals from kits that apply to your machine are affixed to your unit.

PAINT NOTICE

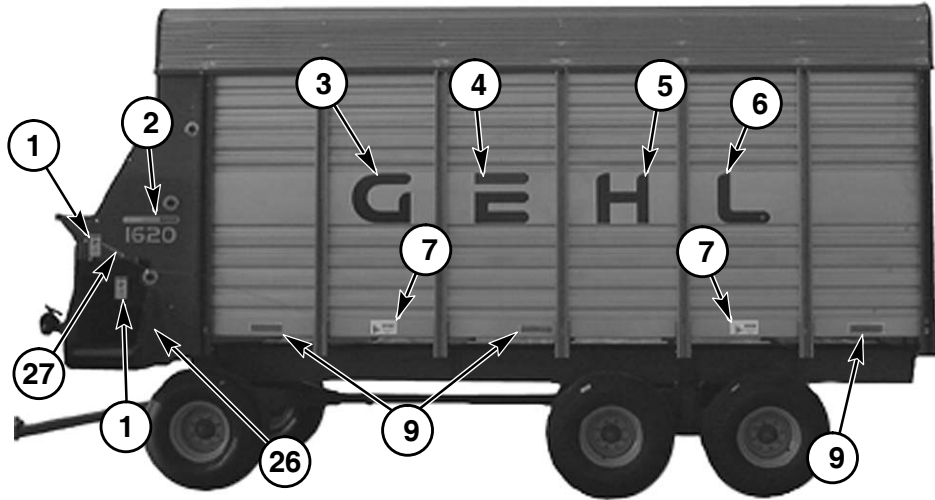
Use this list to order paint for refinishing:

906315	One Gal. AG Red
902872	One Qt. Light Grey
906316	6 (12 oz. Spray Cans) AG Red
902874	6 (12 oz. Spray Cans) Light Grey

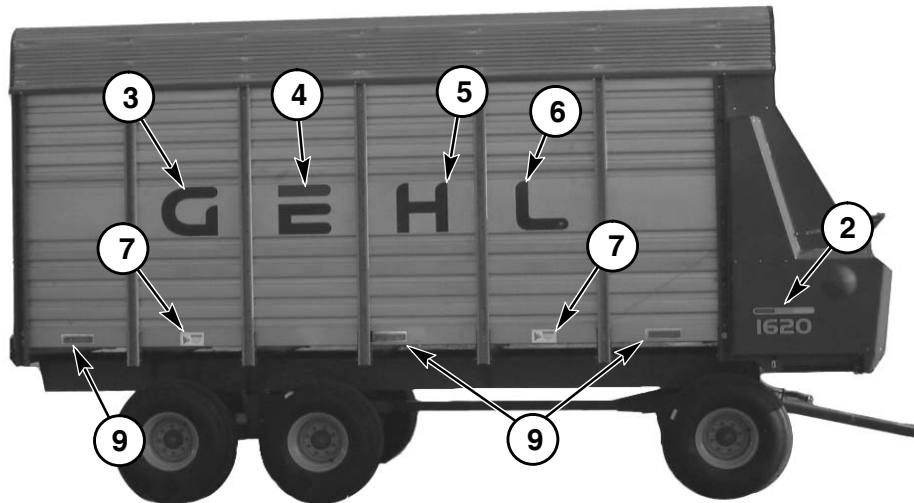
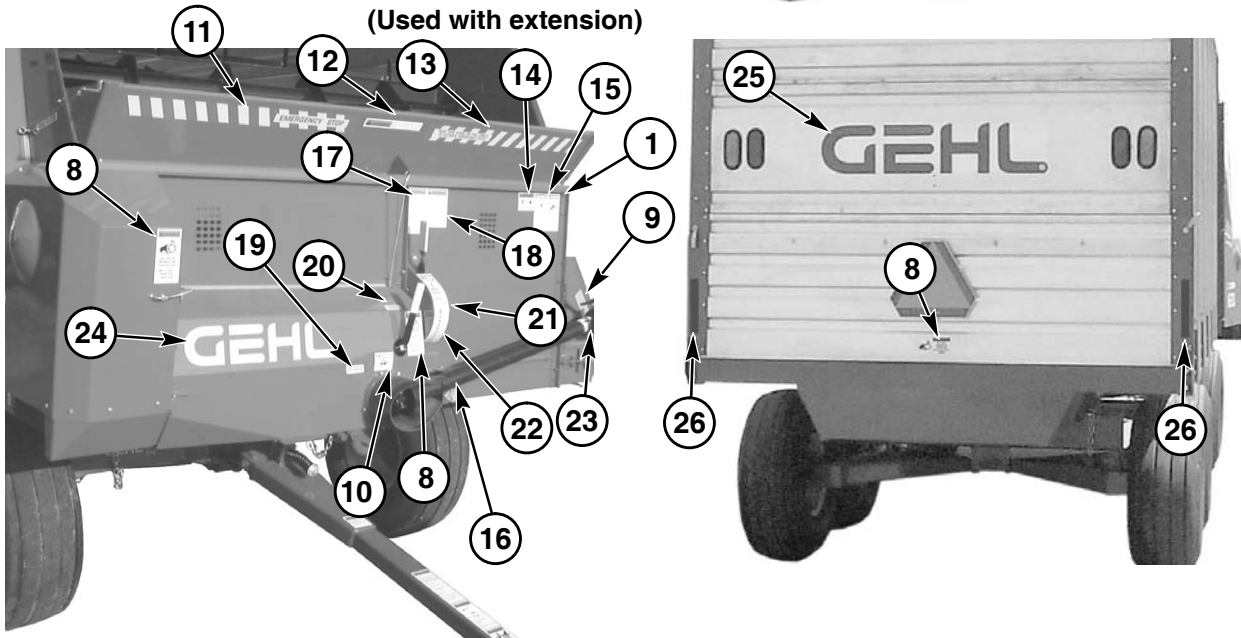
The decal set number for the 1620 Forage Box is 170505. The set includes the following:

Ref. Part

No.	No.	Description & Quantity
1	- 091050	DANGER - Stay Clear (3 Places)
2	- 170316	1620 Label (2 Places)
3	- 094920	Decal - "G" (2 Places)
4	- 094921	Decal - "E" (2 Places)
5	- 094922	Decal - "H" (2 Places)
6	- 094923	Decal - "L" (2 Places)
7	- 093444	WARNING - Moving Parts (4 Places)
8	- 163957	WARNING - Do Not Remove (3 Places)
9	- 145217	Amber Reflector (7 Places)
10	- 093653	DANGER - Rotating Driveline
11	- 170527	Emergency Stop
12	- 170526	WARNING - To Prevent Serious Injury
13	- 170525	Push This Panel
14	- 170531	WARNING - Keep Children Away
15	- 093202	DANGER - Stay Clear of Power Lines
16	- 143007	DANGER - Shield Missing
17	- 093373	WARNING - Before Inspecting
18	- 093367	WARNING - Read Operator's Manual
19	- 170523	Decal - Disengage
20	- 170521	Decal - Engage
21	- 170530	Decal - Clean Out
22	- 170524	Decal - Beater Engage/Disengage
23	- 091444	DANGER - Rotating Driveline
24	- 094914	Decal - GEHL
25	- 119661	Decal - GEHL
26	- 145216	Red Reflector (3 Places) w/ conveyor ext.
27	- 119548	Decal - Pull to Stop (2 Places)
28	- 170529	DANGER - Never Enter
29	- 170528	Decal - Entering Forage Box
30	- 170520	WARNING - Do Not Operate (4 Places)
31	- 093020	Decal - Grease
32	- 170542	Decal - Shear Bolt
33	- 093366	Decal - Manual Stored Here



(Used with extension)



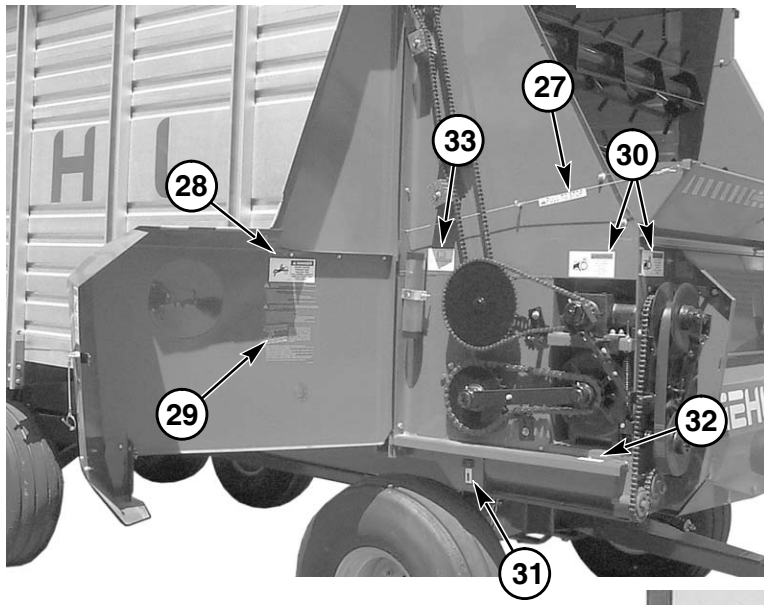
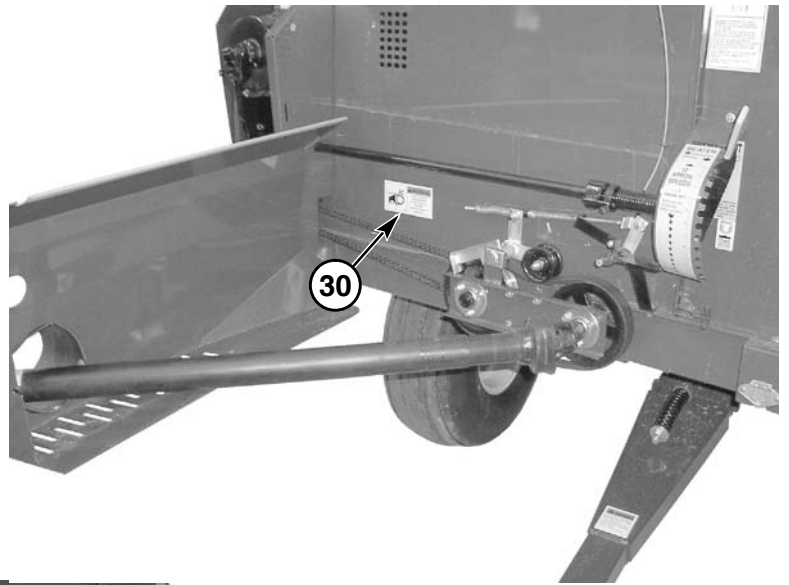
NOTE: *This list is a repeat of the decal list on a previous page and is provided for your convenience when selecting decals from the opposite page of illustrations.*

The decal set number for the 1620 Forage Box is 170505. The set includes the following:

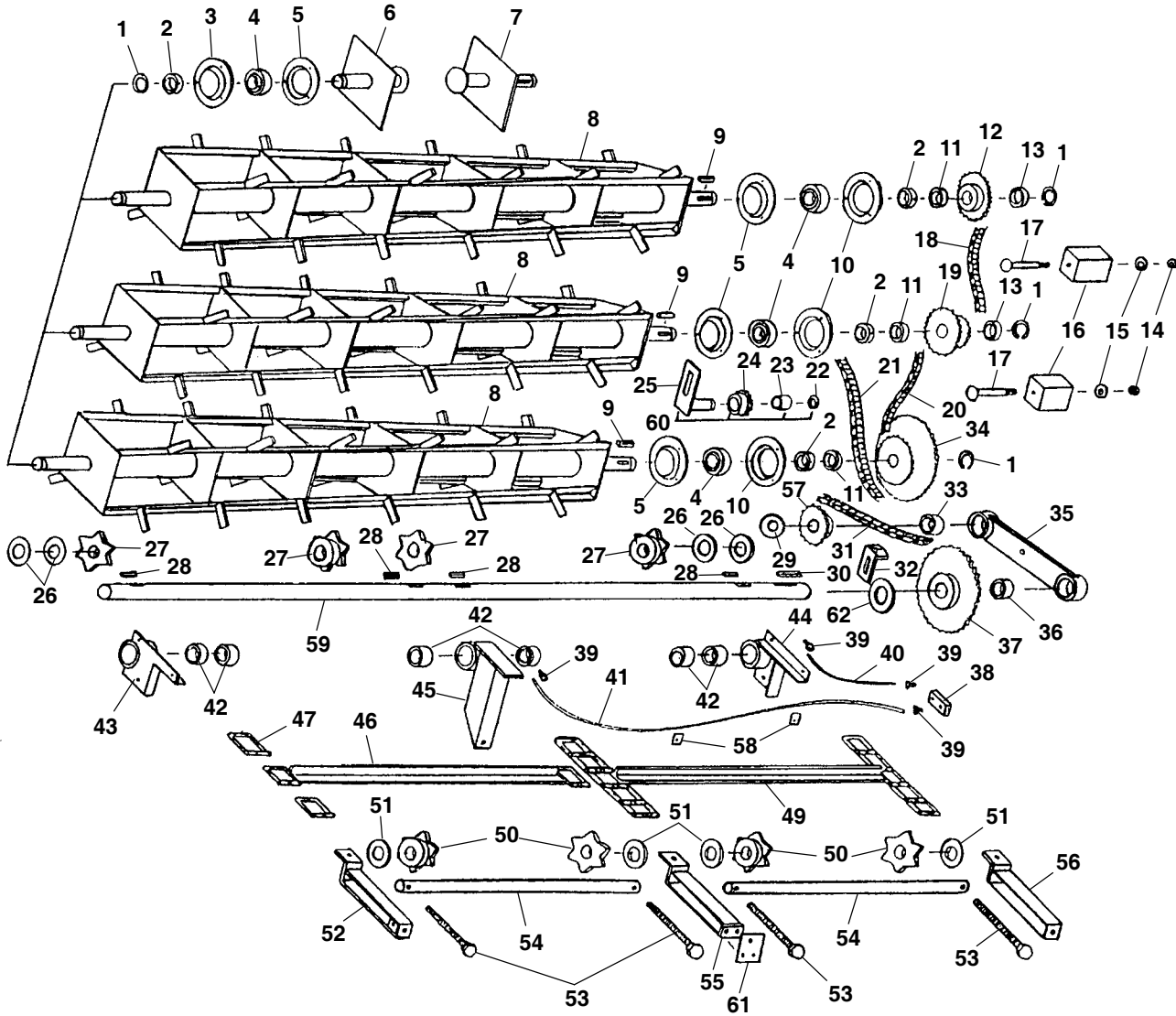
Ref. Part

No. No. Description & Quantity

1 - 091050	DANGER - Stay Clear (3 Places)	13 - 170525	Push This Panel
2 - 170316	1620 Label (2 Places)	14 - 170531	WARNING - Keep Children Away
3 - 094920	Decal - "G" (2 Places)	15 - 093202	DANGER - Stay Clear of Power Lines
4 - 094921	Decal - "E" (2 Places)	16 - 143007	DANGER - Shield Missing
5 - 094922	Decal - "H" (2 Places)	17 - 093373	WARNING - Before Inspecting
6 - 094923	Decal - "L" (2 Places)	18 - 093367	WARNING - Read Operator's Manual
7 - 093444	WARNING - Moving Parts (4 Places)	19 - 170523	Decal - Disengage
8 - 163957	WARNING - Do Not Remove (3 Places)	20 - 170521	Decal - Engage
9 - 145217	Amber Reflector (7 Places)	21 - 170530	Decal - Clean Out
10 - 093653	DANGER - Rotating Driveline	22 - 170524	Decal - Beater Engage/Disengage
11 - 170527	Emergency Stop	23 - 091444	DANGER - Rotating Driveline
12 - 170526	WARNING - To Prevent Serious Injury	24 - 094914	Decal - GEHL
		25 - 119661	Decal - GEHL
		26 - 145216	Red Reflector (3 Places) w/ conveyor ext.
		27 - 119548	Decal - Pull to Stop (2 Places)
		28 - 170529	DANGER - Never Enter
		29 - 170528	Decal - Entering Forage Box
		30 - 170520	WARNING - Do Not Operate (4 Places)
		31 - 093020	Decal - Grease
		32 - 170542	Decal - Shear Bolt
		33 - 093366	Decal - Manual Stored Here



1620 - BEATERS AND MAIN APRON DRIVE

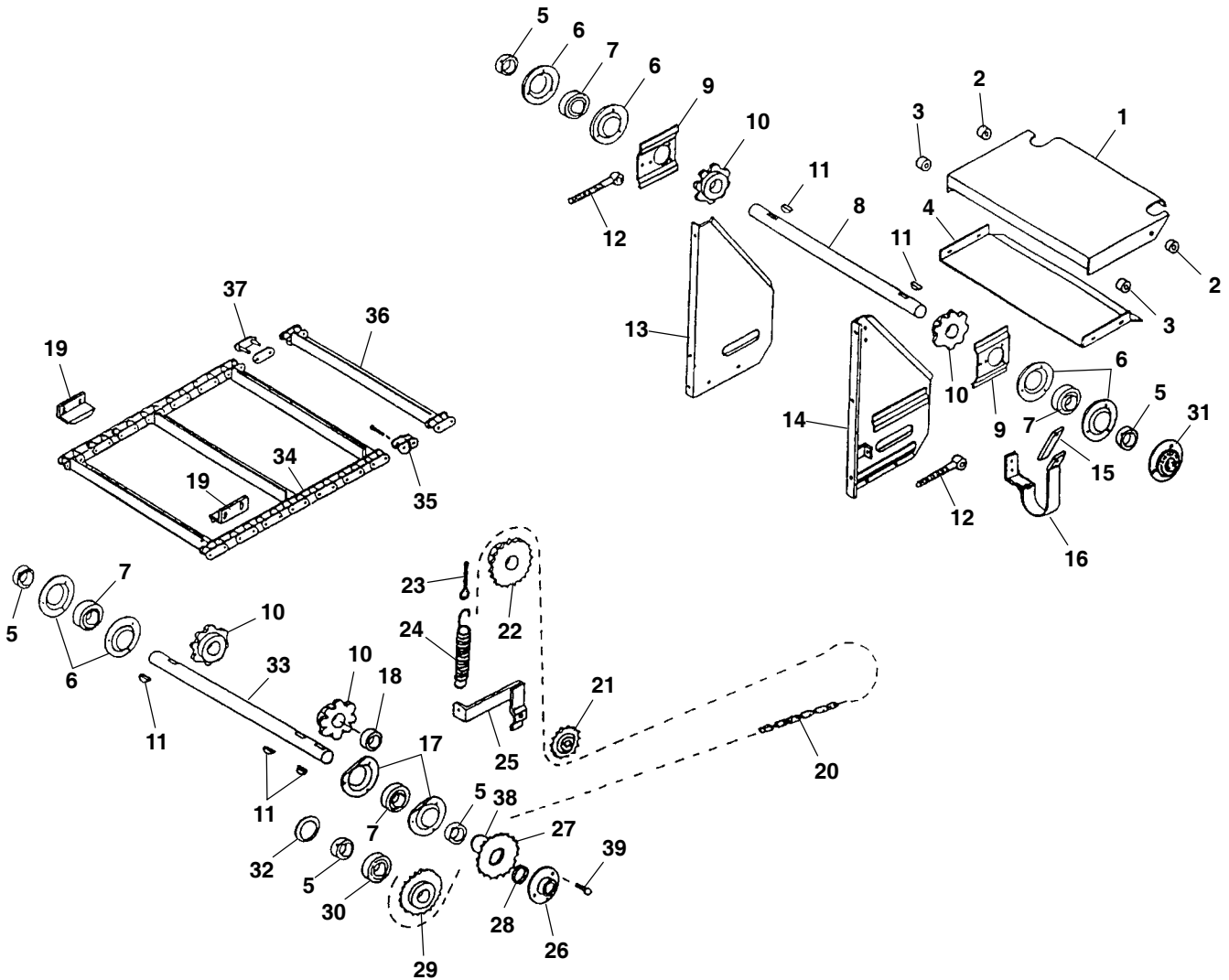


1620 - BEATERS AND MAIN APRON DRIVE

Ref. No.	Part No.	Description	Qty. Req.	Ref. No.	Part No.	Description	Qty. Req.
1	L94790	SNAP RING	6	33	166880	BUSHING	1
2	520085	1.25 BEARING COLLAR	6	34	166905	1ST BEATER SPROCKET 60T & 20T ..	1
3	166541	FLANGE/BEARING W/ZERK	3	35	166793	DRIVE SHAFT BRACE W/O BUSHING .	1
4	166098	BEARING GREASEABLE TYPE	6	36	166882	BUSHING	1
5	H195A	BEARING FLANGE	6	37	166883	DRIVESHAFT SPROCKET 30T	1
6	166669	LH BEATER STUB SHAFT	3	38	166796	GREASE LINE BKT W/O FITTINGS	1
7	166676	RH BEATER STUB SHAFT	3	39	166895	STR MP 1/8-28 X F TUBE 1/8	4
8	166687	BEATER	3	40	166798	SHORT GREASE LINE	1
9	180-32147	5/16 X 1 3/8 SQUARE KEY	3	41	166799	LONG GREASE LINE	1
10	080863	BEARING FLANGE W/ZERK 45°	3	42	166884	BUSHING	6
11	H8224	SPACER	3	43	166802	LH DRIVE SHAFT BRACKET	1
12	166871	3RD BEATER SPROCKET 20T	1	44	166803	RH DRIVE SHAFT BRACKET	1
13	166565	SPACER	3	45	166804	CENTER BEARING BRACKET	1
14	653010	HN 3/8	1	46	166805	T-ROD SLAT W/ATTACH LINKS	AR
15	654006	FW 3/8	1	47	166806	T-ROD LINK	AR
16	166696	WOOD CHAIN TIGHTENER	2	49	166808	T-ROD COMPLETE APRON 16' BOX ..	2
17	650681	CB 3/8 X 3-3/4	2			(290 LINKS AND 18 SLATS)	
18	170663	CHAIN/ROLLER #50 X 89 LINKS	2		166809	T-ROD COMPLETE APRON 18' BOX ..	2
*	500057	CONNECTOR LINK	1			(326 LINKS AND 20 SLATS)	
*	500060	OFFSET LINK	1		166785	T-ROD COMPLETE APRON 20' BOX ..	2
19	166873	2ND BEATER SPROCKET 30T-13T	1			(362 LINKS AND 22 SLATS)	
20	170663	CHAIN/ROLLER #50 X 89 LINKS	1	50	166885	REAR IDLER SPROCKET	4
21	500092	CHAIN/ROLLER #50 X 98 LINKS	1	51	166886	IDLER SHAFT SPACER	4
22	166059	SNAP RING	1	52	166810	LH REAR IDLER BRACKET	1
23	166729	CHAIN TIGHTENER BUSHING	1	53	166084	CS 1/2 X 9-1/2	4
24	166154	TIGHTENER SPROCKET	1	54	166811	REAR IDLER SHAFT	2
25	166745	CHAIN TIGHTENER	1	55	166812	CENTER IDLER BRACKET	1
26	166752	DRIVE SHAFT SPACER	4	56	166813	RH REAR IDLER BRACKET	1
27	166761	APRON DRIVE SHAFT SPROCKET ...	4	57	166834	WORM GEAR SHAFT SPROCKET	1
28	180-13128	3/8 X 1-3/8 SQUARE KEY	4		166887	WORM GEAR SHAFT SPROCKET 11T .	1
29	166874	POLY GEAR BOX WASHER	1	58	166814	GREASE LINE CLIP	2
30	166163	3/8 X 2-3/8 KEY	1	59	166815	MAIN APRON DRIVE SHAFT	1
31	166194	APRON DRIVE CHAIN #80 X 56 LINKS .	1	60	166661	CHAIN TIGHTENER ASSEMBLY	1
*	500195	#80 CONNECTOR LINK	1	61	166763	CABLE BRACKET	1
*	048728	#80 OFFSET LINK	1	62	166777	DRIVE SHAFT SHIM	1
32	166774	CHAIN TIGHTENER	1				

* Not Shown

1620 - CROSS APRON AND DRIVE

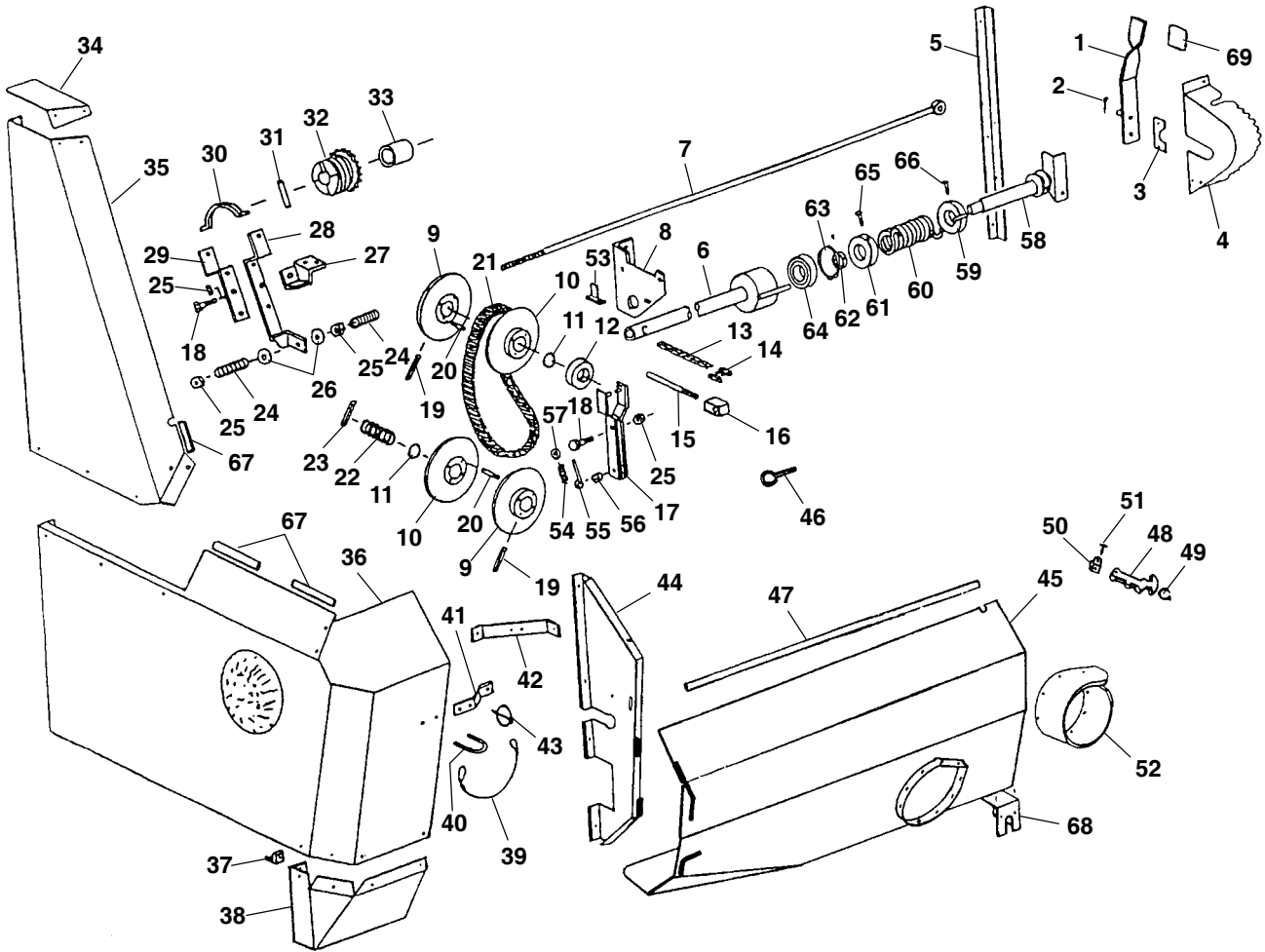


1620 - CROSS APRON AND DRIVE

Ref. No.	Part No.	Description	Qty. Req.	Ref. No.	Part No.	Description	Qty. Req.
1	166816	CROSS APRON PAN EXTENSION	1	20	166195	FRNT DRV CHAIN #50 X 193 LINKS	1
2	166916	SPACER	2	21	D9130	IDLER SPROCKET	1
3	166818	PAN EXTENSION CARRIER	2	22	166889	SPROCKET 24T	1
4	166819	RETURN PAN EXTENSION	1	23	066172	EYE BOLT 5/16 X 3	1
5	520084	1" BEARING COLLAR	5	24	166891	SPRING	1
6	166080	BEARING FLANGE	6	25	166827	TIGHTENER BRACKET	1
7	520063	BEARING	4	26	166770	SHEAR HUB	1
8	166820	CROSS APRON IDLER SHAFT	1	27	166876	SPROCKET	1
9	166821	TIGHTENER BRACKET	2	28	166537	BUSHING/BRONZE 2 X 1-3/4 X 1/4	1
10	166097	8 TOOTH SPROCKET	4	29	166094	IDLER SPROCKET 20T	1
11	650513	1/4 X 1 WOODRUFF KEY	5	30	166197	BEARING	1
12	166822	TIGHTENER BOLT	2	31	166828	CROSS APRON SHAFT GUARD	1
13	166823	TIGHTENER PANEL REAR	1	32	166108	SNAP RING	1
14	166824	TIGHTENER PANEL FRONT	1	33	166769	SHAFT	1
15	166825	PTO HOLDER RUBBER TAB	1	34	166829	CROSS CONVEYOR	1
16	166748	PTO HOLDER	1	35	166176	550 OFFSET LINK	2
17	166855	BEARING FLANGE SHEARED	2	36	166177	550 SLAT W/ATTACHMENT LINKS	15
18	H728A	SPACER	1	37	081311	PLAIN CONNECTOR	2
19	166667	CROSS CONVEYOR HOLD-DOWN	2	38	166164	SNAP RING	1
*	500060	#50 OFFSET LINK	1	39	650028	CS 5/16 X 1 GR2	2
*	500057	PLAIN COUPLER	1				

* Not Shown

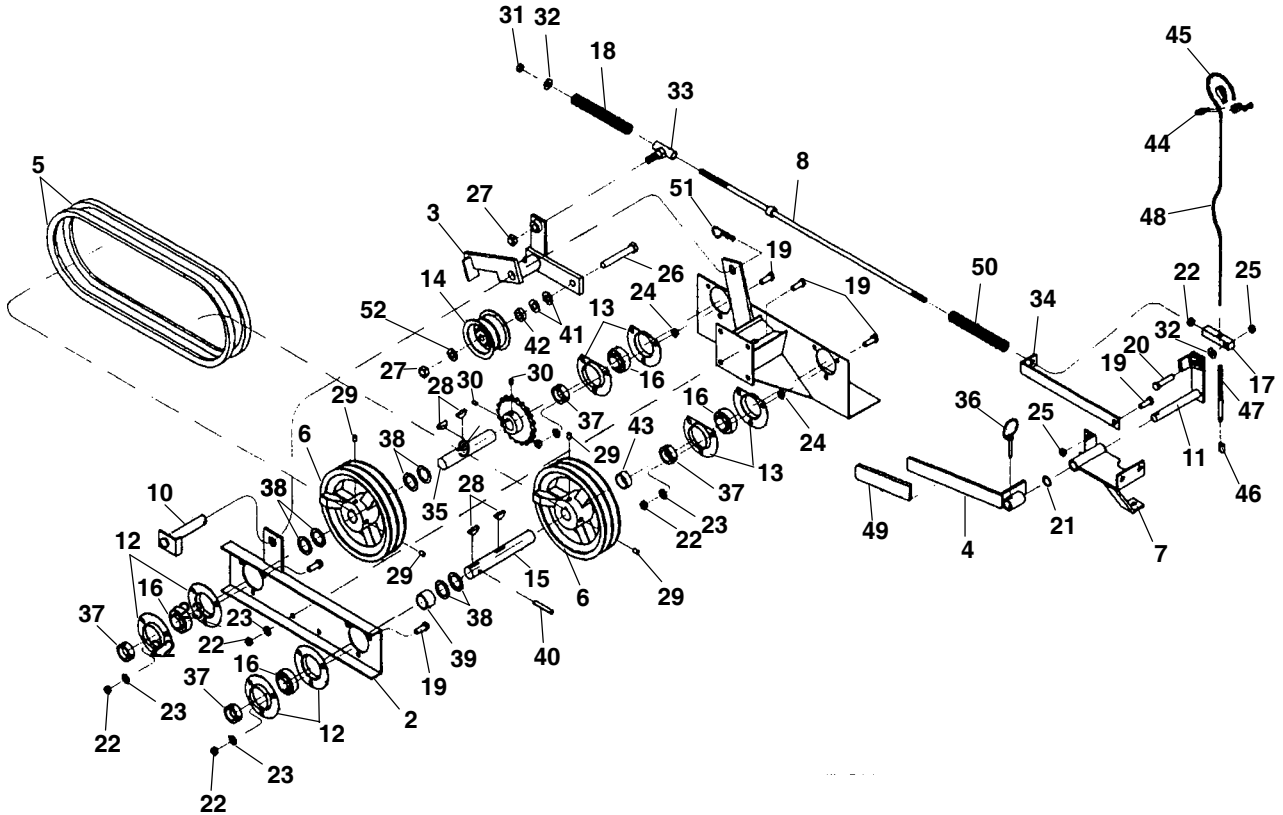
1620 - SHIELDS, BEATER CLUTCH BELT DRIVE



1620 - SHIELDS, BEATER CLUTCH BELT DRIVE

Ref. No.	Part No.	Description	Qty. Req.	Ref. No.	Part No.	Description	Qty. Req.
1	166756	SHIFTER HANDLE	1	36	166601	MAIN SIDE SHIELD	1
2	651571	CP EPSC 5/32X2	1	37	166220	SHIELD ANGLE	1
3	166831	SHIFTING PIPE BRACKET	1	38	166602	SIDE SHIELD BOTTOM	1
4	166753	SPEED SELECTOR PANEL	1	39	166603	CLIP PIN CABLE	1
5	166757	FRONT CENTER ANGLE	1	40	166086	U-BOLT	1
6	166758	SHIFTING PIPE (APRON)	1	41	166604	SHIELD LATCH BRACKET	1
7	166759	SHIFTING ROD (BEATER)	1	42	166670	SHIELD BRACE	1
8	166832	SHIFTING BRACKET	1	43	166226	CLIP PIN	1
9	166833	STATIONARY SHEAVE	2	44	166730	FRONT UPRIGHT SHIELD	1
10	166707	SHEAVE-SLIDING	2	45	166731	FRONT SHIELD	1
11	166890	O-RING 1.50 OD X 1.25 ID	2	46	095026	EYE BOLT 3/8 X 4	1
12	166867	THRUST BEARING	1	47	166751	38 PLASTIC EDGING	1
13	166170	#40 CHAIN 7 PITCHES	1	48	166846	FRONT SHIELD LATCH (RUBBER)	1
14	500037	PLAIN COUPLER #40	1	49	166847	LATCH CATCH BRACKET	1
15	166587	LINKAGE ROD	1	50	166848	LATCH MOUNTING BRACKET	1
16	166588	ADJUSTMENT BLOCK	1	51	166849	PIN	1
17	166589	VARIABLE SPEED SHIFTER	1	52	166606	PTO RUBBER SHIELD	1
18	650495	CS 1/2X1-1/4	2	53	166665	SPRING SHIFT BRACKET	1
19	124330	SPIRAL PIN	2	54	166666	SHIFTING SPRING	1
20	166708	SHEAVE-PIN	8	55	166664	SHIFTING SPRING ROD	1
21	166147	VARIABLE SPEED BELT	1	56	166910	SPACER 3/8 X 5/16 LG	1
22	166868	SPRING	1	57	650863	FW 1/4	1
23	078262	SPRING PIN	1	58	166704	SHIFTER PIPE HANDLE END	1
24	166869	SPRING	1	59	166705	SPRING PIN COLLAR	1
25	071706	LN 1/2	4	60	166872	SPRING	1
26	166701	BEATER CLUTCH WASHER	2	61	166706	SPRING COLLAR	1
27	166592	BEATER CLUTCH BRACKET	1	62	520084	1" BEARING COLLAR	1
28	166593	BEATER CLUTCH LONG ARM	1	63	166108	SNAP RING	1
29	166594	BEATER CLUTCH SHORT ARM	1	64	166197	BEARING	1
30	166165	CLUTCH YOKE W/ZERK	1	65	650062	CS 3/8X1-1/4	1
31	166595	BEATER CLUTCH PIN	1	66	650490	CS 3/8X1	1
32	166596	BEATER CLUTCH SPROCKET	1	67	166674	EXT. IDLER SHAFT	1
33	166597	BEATER CLUTCH BUSHING	1	68	166741	SHIELD	1
34	166598	BEATER SHIELD TOP	1	69	166775	HANDLE GRIP	1
35	166599	BEATER SIDE SHIELD	1				

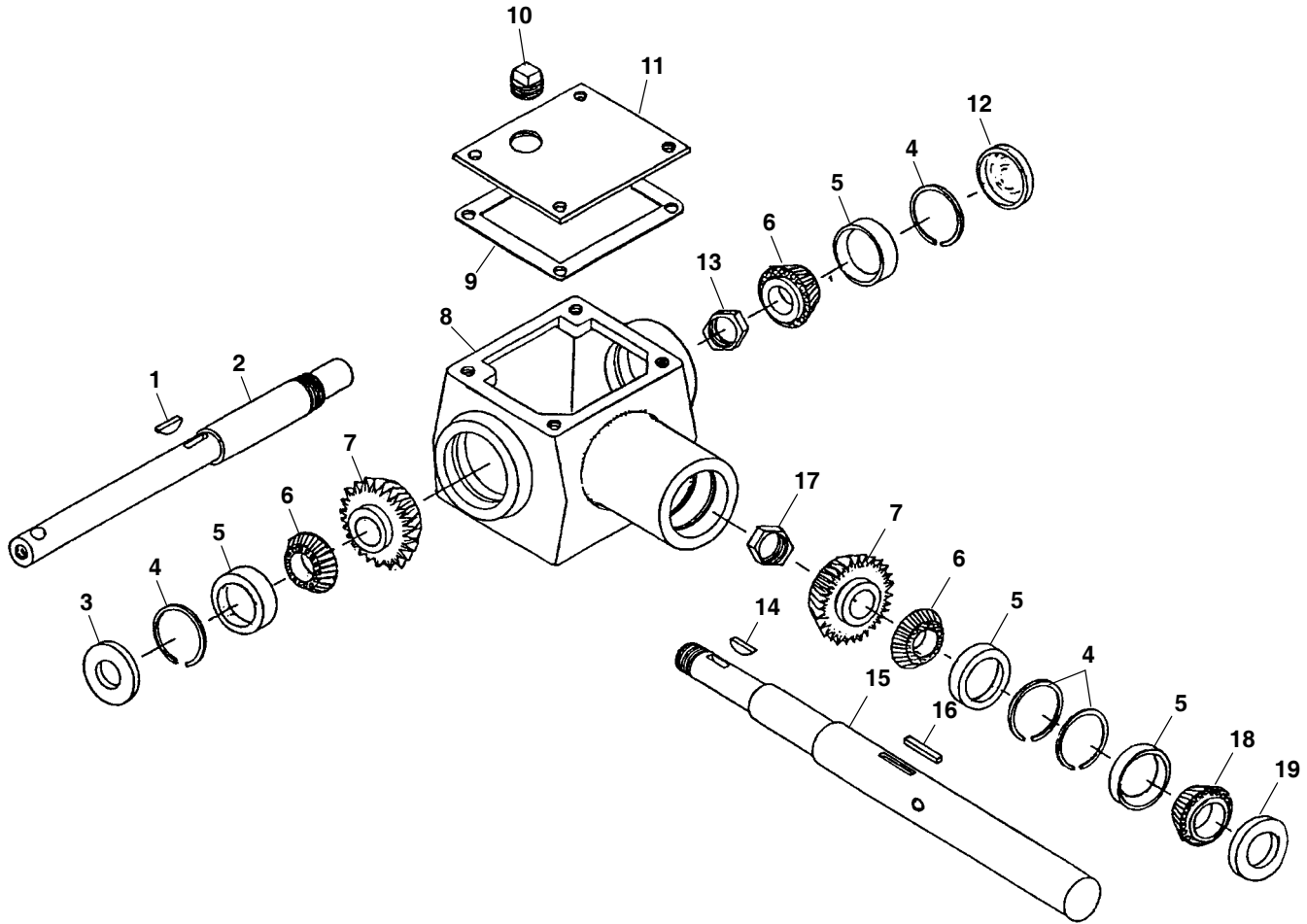
1620 - CROSS CONVEYOR CLUTCH - BELT DRIVE



1620 - CROSS CONVEYOR CLUTCH - BELT DRIVE

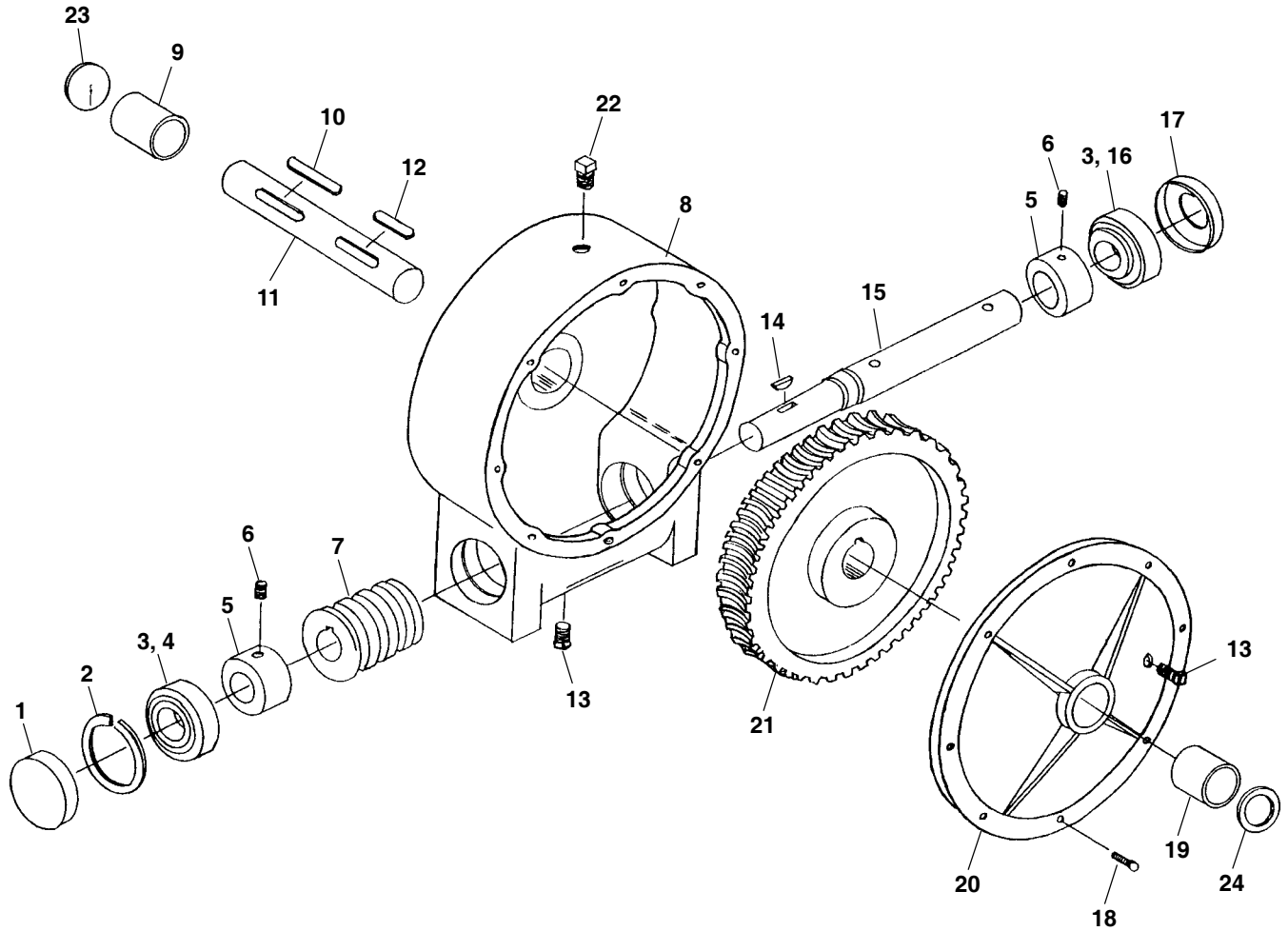
Ref. No.	Part No.	Description	Qty. Req.	Ref. No.	Part No.	Description	Qty. Req.
2	166732	FRONT CLUTCH PLATE	1	28	650513	1/4 X 1 WOODRUFF KEY	4
3	166737	IDLER STOP ASSEMBLY	1	29	650213	SHSS 3/8X3/8	4
4	166733	HANDLE LEVER	1	30	650204	SHSS 5/16X3/8	2
5	166153	V-BELT	2	31	067847	NILN 3/8	1
6	166875	PULLEY	2	32	654006	FW 3/8	2
7	166735	HANDLE MOUNT	1	33	166739	SLIDE	1
8	166738	SHIFTING ROD	1	34	166743	SPRING BRACKET	1
9	166060	SPROCKET 50B20	1	35	166744	SHAFT	1
10	166736	TIGHTENER PIVOT SHAFT	1	36	166226	CLIP PIN	1
11	166734	HANDLE LEVER	1	37	520084	1" BEARING COLLAR	4
12	166080	BEARING FLANGE	4	38	166912	SPACER 1-1/2 OD x 1-1/32 ID x 074 ..	AR
13	166855	BEARING FLANGE SHEARED	4	39	166915	SPACER	1
14	166107	IDLER PULLEY	1	40	124331	SPIRAL PIN	1
15	166746	SHAFT	1	41	651148	FW 1/2	2
16	520063	BEARING	4	42	166845	SPACER 9/16	1
17	166742	SHIFTER ROD END	1	43	360-17392	SPACER	1
18	166070	SPRING 3/4	1	44	166898	CABLE CLAMP	1
19	650490	CS 3/8X1	17	45	166223	THIMBLE	1
20	650579	CS 3/8X1-3/4 GR2	1	46	166224	CABLE COMPRESSION SLEEVE	1
21	651156	LW INT 5/8	1	47	166754	CABLE END STIFFENER	1
22	653010	HN 3/8	17	48	166750	EMERGENCY STOP CABLE	1
23	654026	LW 3/8	16	49	166755	HANDLE LEVER GRIP	1
24	653038	HJN 3/8	6	50	166155	SPRING	1
25	094762	LN 3/8	2	51	076099	COTTER/HAIRPIN .148 CLIP 9	1
26	650594	CS 1/2X3-1/4	1	52	654030	LW 1/2 RZY	1
27	071706	LN T 1/2	2				

1620 - BEVEL GEARBOX



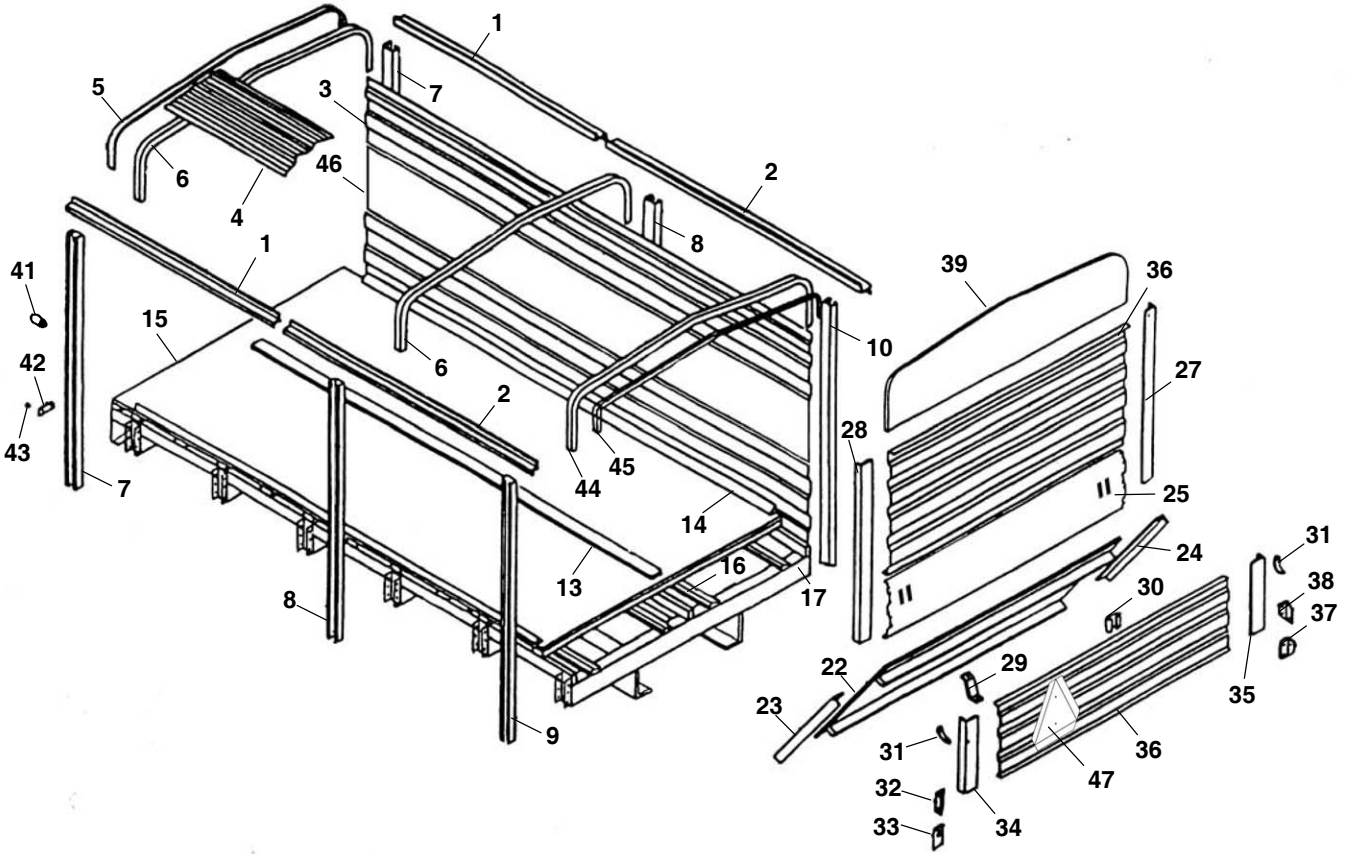
Ref. No.	Part No.	Description	Qty. Req.	Ref. No.	Part No.	Description	Qty. Req.
	166609	BEVEL GEAR BOX COMPLETE	1	10	166075	FILL PLUG	1
1	650513	1/4 X 1 WOODRUFF KEY	2	11	166211	COVER	1
2	166607	GEAR BOX SIDE SHAFT	1	12	166897	DUST CAP	1
3	166078	SEAL TCM10243	1	13	166542	NUT/STAKE 1-1/8	1
4	166074	SNAP RING	4	14	650513	1/4 X 1 WOODRUFF KEY	2
5	520033	BEARING CUP	4	15	166608	GEAR BOX FRONT SHAFT	1
6	520032	BEARING CONE	3	16	180-10773	1/4 X 1-1/4 KEY	1
7	166546	GEAR/BEVEL 14T	2	17	166545	NUT/STAKE 1 F	1
8	166208	GEARBOX HOUSING	1	18	053827	BEARING CONE	1
9	166209	GEARBOX GASKET	1	19	166150	SEAL	1

1620 - WORM GEARBOX



Ref. No.	Part No.	Description	Qty. Req.	Ref. No.	Part No.	Description	Qty. Req.
	166231	WORM GEARBOX COMPLETE	1	13	138245	PLUG 3/8	1
1	166897	DUST CAP	1	14	650513	1/4 X 1 WOODRUFF KEY	1
2	166074	SNAP RING	1	15	166612	WORM GEAR FRONT SHAFT	1
3	520033	BEARING CUP	2	16	053827	BEARING CONE	1
4	520032	BEARING CONE	1	17	166101	SEAL TCM 12203TC	1
5	166904	SPACER	2	18	650490	CS 3/8X1	8
6	650215	SHSS CP 3/8X1/2	2	19	166853	COVER BUSHING	1
7	166087	WORM	1	20	166229	WORM GEARBOX COVER	1
8	166228	GEARBOX HOUSING	1	21	166089	WORM GEAR	1
9	166854	GEARBOX BUSHING	1	22	166075	FILL PLUG	1
10	166151	3/8 X 2-3/8 KEY ROUND ENDS	1	23	166230	CAP	1
11	166610	WORM GEAR SIDE SHAFT	1	24	170-10463	OIL SEAL	1
12	180-13128	3/8 X 1-3/8 SQUARE KEY	1				

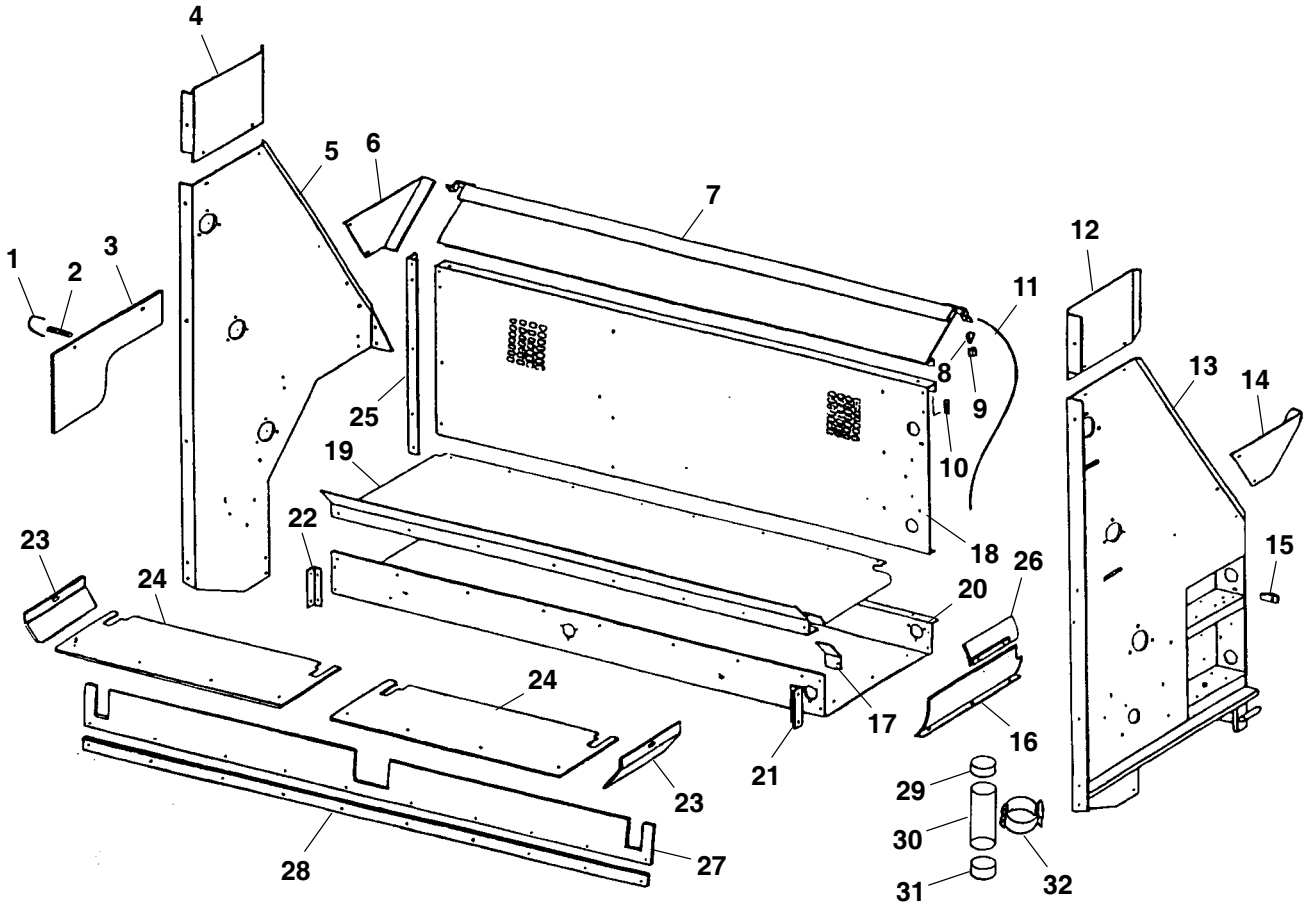
1620 - BOX COMPONENTS



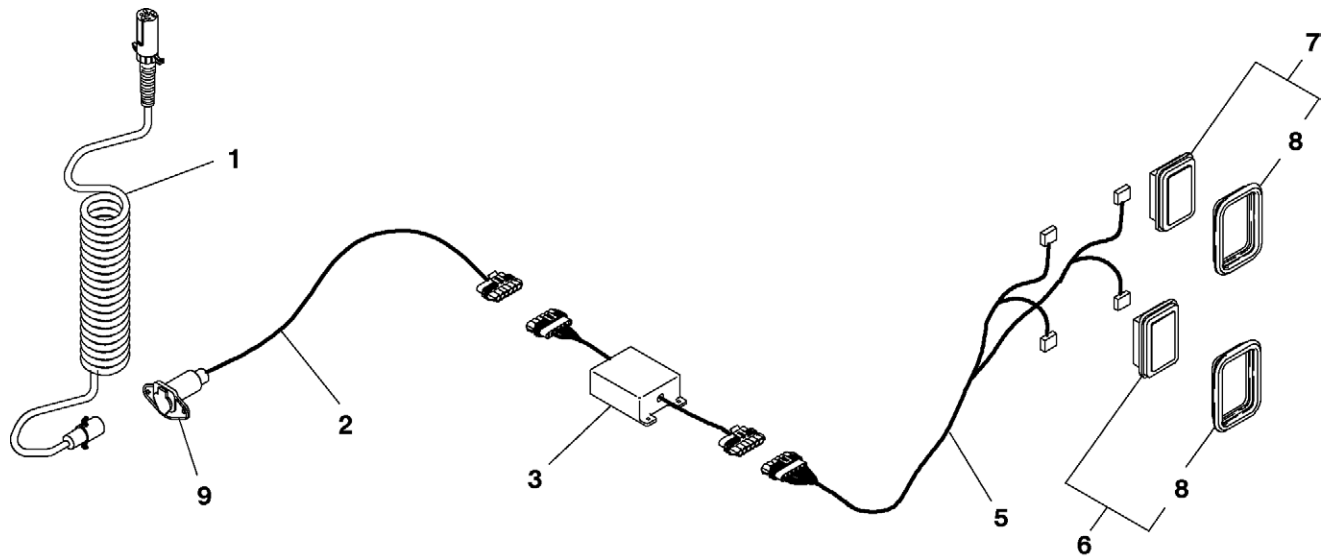
1620 - BOX COMPONENTS

Ref. No.	Part No.	Description	Qty. Req.	Ref. No.	Part No.	Description	Qty. Req.
1	166614	16' ROOF SILL FRONT SECTION	2	17	166639	16' FLOOR SUPPORT 2 X 4	3
	166615	18' ROOF SILL FRONT SECTION	2		166640	18' FLOOR SUPPORT 2 X 4	3
	166786	20' ROOF SILL FRONT SECTION	2		166795	20' FLOOR SUPPORT 2 X 4	3
2	166617	16' ROOF SILL BACK SECTION	2	22	166642	REAR SLANT PANEL	1
	166618	18' ROOF SILL BACK SECTION	2	23	166643	LH ANGLE FOR SLANT PANEL	1
	166787	20' ROOF SILL BACK SECTION	2	24	166644	RH ANGLE FOR SLANT PANEL	1
3	166620	16' SIDE STEEL	4	25	166719	BACK DOOR CENTER STEEL	1
	166621	18' SIDE STEEL	4	27	166646	BACK DOOR RH SIDE PIECE	1
	166788	20' SIDE STEEL	4	28	166648	BACK DOOR LH SIDE PIECE	1
4	166624	16' ROOF STEEL	5	29	166649	SLANT PANEL BRACE	1
	166625	18' ROOF STEEL	6	30	153369	SMV HOLDER	1
	166789	20' ROOF STEEL	6	31	166650	HANDLE NUTS	2
5	166626	16' BRANCH GUARD	2	32	166651	LH HINGE TOP PIECE	1
	166842	18' BRANCH GUARD	2	33	166652	RH STAKE HINGE	1
		20' BRANCH GUARD	2	34	166653	TAILGATE LH SIDE PIECE	1
6	166627	16' ROOF SUPPORT	5	35	166654	TAILGATE RH SIDE PIECE	1
	166841	18' ROOF SUPPORT	6	36	166655	TAILGATE STEEL	2
		20' ROOF SUPPORT	7	37	166656	RH HINGE BOTTOM PIECE	1
7	166835	FRONT STAKE	2	38	166657	RH HINGE TOP PIECE	1
8	166836	16' SIDE STAKE	8	39	166660	BACK PANEL	1
		18' SIDE STAKE	10	41	166839	STAKE SPACER	4
		20' SIDE STAKE	12	42	166840	CABLE BRACKET	1
9	166837	LH BACK STAKE	1	43	166892	16' PLSTC GROMMET FOR CABLE	23
10	166838	RH BACK STAKE	1			18' PLSTC GROMMET FOR CABLE	27
13	166630	16' APRON CHAIN CENTER SPACER	1			20' PLSTC GROMMET FOR CABLE	31
	166631	18' APRON CHAIN CENTER SPACER	1	44	166671	ROOF SUPPORT (REAR)	1
	166790	20' APRON CHAIN CENTER SPACER	1		166672	PANEL/SIDE (26 x 232)	1
14	166633	16' APRON CHAIN SIDE SPACER	2	45	166772	REAR BRANCH GUARD (16')	1
	166634	18' APRON CHAIN SIDE SPACER	2	46	166940	CENTER PANEL 184" (16')	2
	166791	20' APRON CHAIN SIDE SPACER	2		166938	CENTER PANEL 208" (18')	2
15	166636	16' FLOOR ASSEMBLY	1		166939	CENTER PANEL 232" (20')	2
	166637	18' FLOOR ASSEMBLY	1	47	145235	SMV MARKER/MOUNTED	
	166792	20' FLOOR ASSEMBLY	1				
16	166697	16' CHAIN SLIDE	2				
	166698	18' CHAIN SLIDE	2				
	166794	20' FLR APRN CHN RETURN SLDE	2				

1620 - HOUSING COMPONENTS

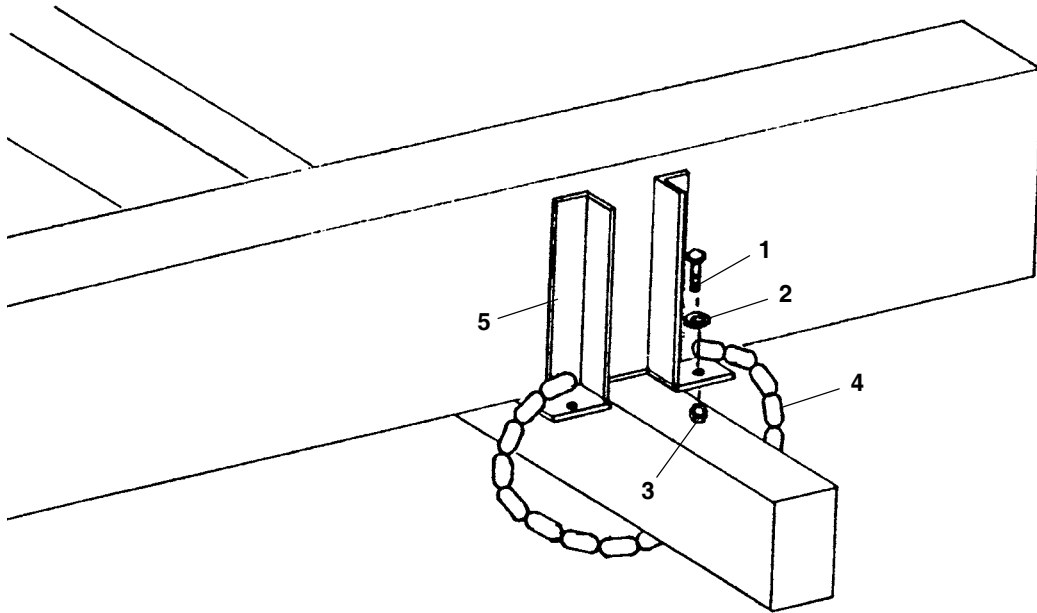


Ref. No.	Part No.	Description	Qty. Req.	Ref. No.	Part No.	Description	Qty. Req.
1	166086	U-BOLT	1	17	166611	CROSS APRON PAN END	1
2	166866	SPRING FOR SHIELD	1	18	166747	FRONT MAIN PANEL	1
3	166658	PLASTIC BEATER GUARD	1	19	166628	CROSS APRON PAN	1
4	166713	LH SIDE PANEL TOP	1	20	166749	RETURN PAN	1
5	166773	LH SIDE PANEL	1	21	166641	RH RETURN PAN ANGLE	1
6	166800	LH EMERGENCY STOP PANEL	1	22	166647	LH RETURN PAN ANGLE	1
7	166762	EMERGENCY STOP PANEL	1	23	166659	APRON SIDE SPACER	2
8	166221	THIMBLE	2	24	166390	DRIVE SHAFT PANEL	2
9	166899	CABLE CLAMP	4	25	166663	LH FRONT ANGLE	1
10	166888	SPRING FOR EMERGENCY STOP	3	26	166662	SHIELD	1
11	166826	EMERGENCY STOP CABLE	1	27	166718	RUBBER SEAL	1
12	166830	RH SIDE PANEL TOP	1	28	166703	STRAP	1
13	166586	RH SIDE PANEL	1	29	166780	CAP - NO HOLE	1
14	166591	RH EMERGENCY STOP PANEL	1	30	166781	CLEAR TUBE	1
15	166600	GEAR BOX BRACE	1	31	166783	CAP W/HOLE	1
16	166605	RETURN PAN END	1	32	166935	CLAMP	1

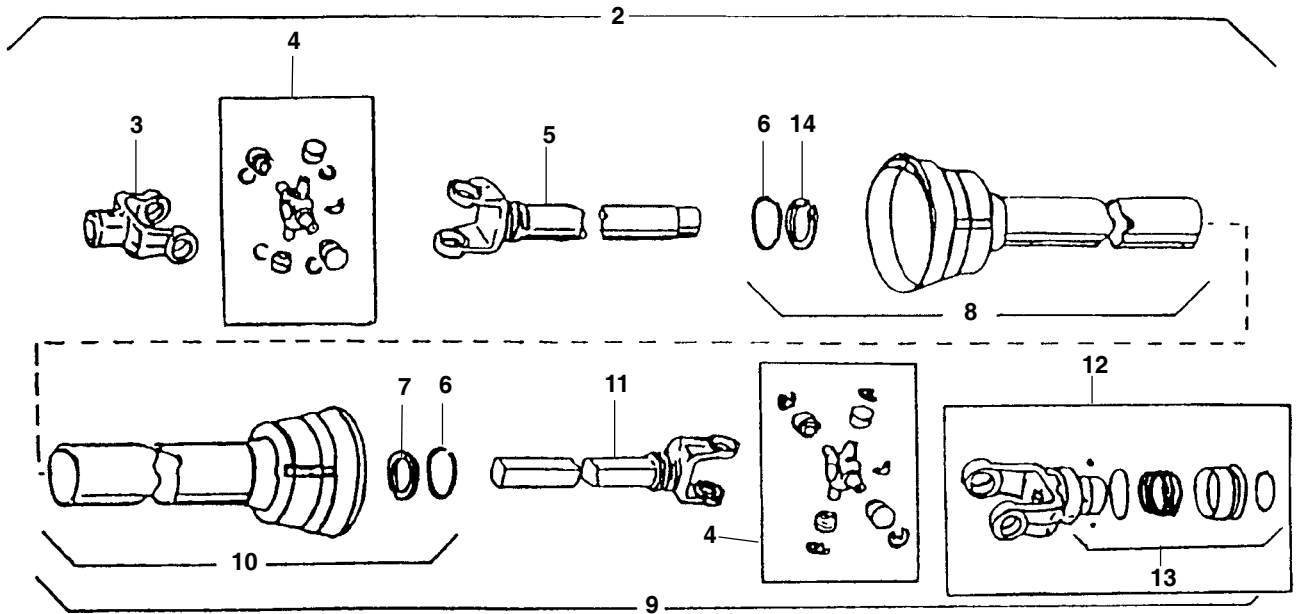


Ref. No.	Part No.	Description	Qty. Req.	Ref. No.	Part No.	Description	Qty. Req.
1	119514	RETRACTABLE CORD	1	6	166199	RED LIGHT	2
		(ACCESSORY OPTION)		7	166198	AMBER LIGHT	2
2	166965	FRONT HARNESS	1	8	166720	RUBBER LIGHT MOUNT	4
3	170670	LIGHTING MODULE	1	9	059060	4 WAY SOCKET	1
5	170671	Y CONNECT HARNESS	1				

1620 - TIE DOWN KIT



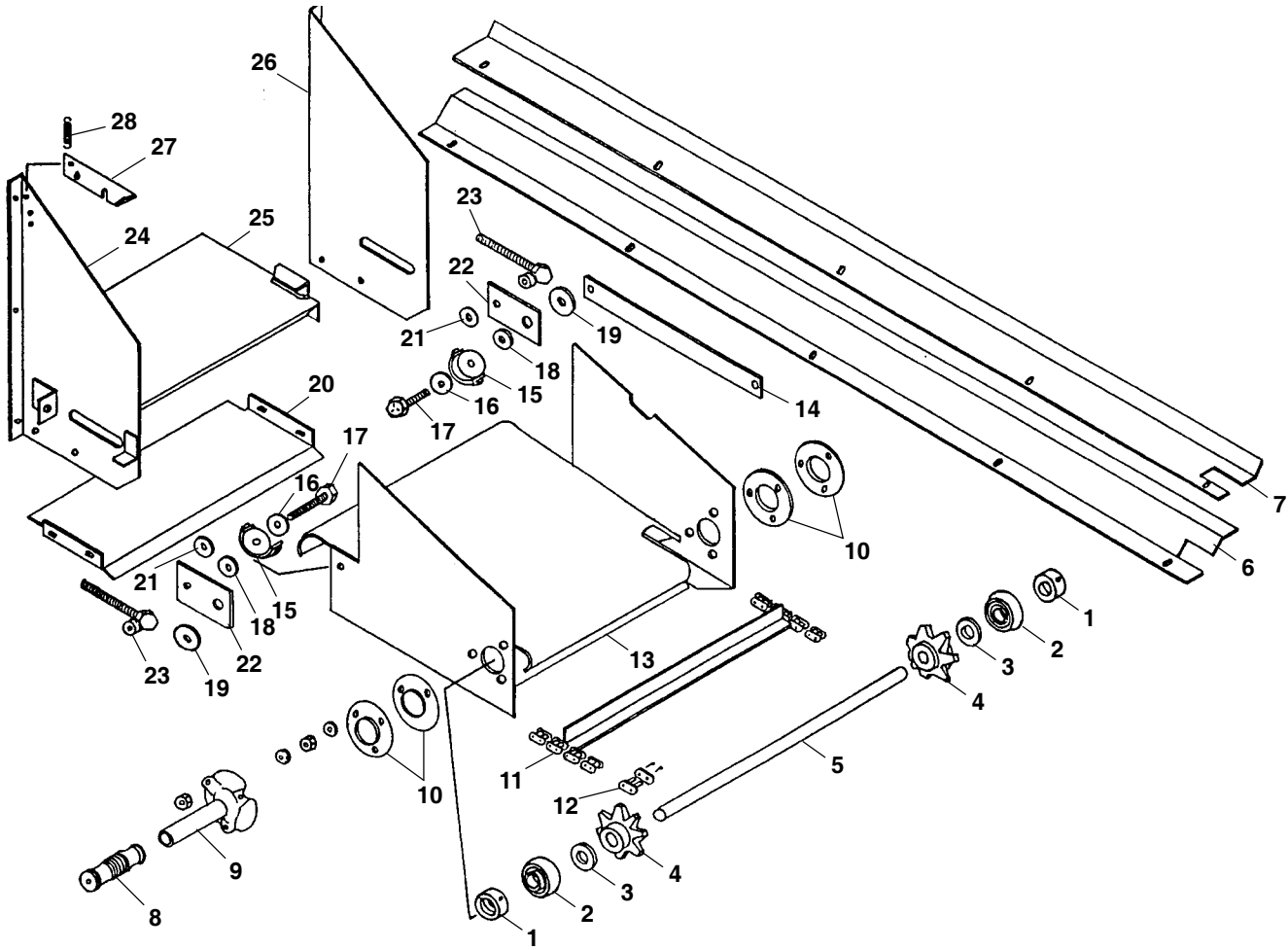
Ref. No.	Part No.	Description	Qty. Req.	Ref. No.	Part No.	Description	Qty. Req.
1	650453	CS 1/2X1-1/2	8	4	166726	1/4 TIE DOWN CHAIN	4
2	651148	FW 1/2	8	5	166727	TIE DOWN BRACKET	4
3	071706	LN T 1/2	8				



Ref. No.	Part No.	Description	Qty. Req.	Ref. No.	Part No.	Description	Qty. Req.
2	166807	MACHINE HALF PTO W/SHIELD (HD)	1	9	166160	TRACTOR HALF PTO (HD)	1
3	166157	END YOKE MACHINE HALF (HD)	1	10	166771	OUTER GUARD	1
4	005870	KIT/CROSS	2	11	166161	YOKE & SHAFT (HD)	1
5	166159	YOKE & TUBE	1	12	092052	YOKE/SPRING LOCK ASSY	1
6	166081	BEARING RETAINER	2	13	086925	SPRING LOCK REPAIR KIT	1
7	166870	NYLON BEARING	1	14	166878	NYLON BEARING	1
8	166879	INNER GUARD	1	*	145011	SAFETY MANUAL	AR

* Not Shown

1620 - OPTIONAL 12" EXTENSION



Ref. No.	Part No.	Description	Qty. Req.	Ref. No.	Part No.	Description	Qty. Req.
1	520084	1" BEARING COLLAR	2	15	166682	CHAIN SLIDE ASSEMBLY	2
2	520063	BEARING	2	16	166217	WASHER	2
3	166906	SPACER 1-7/8 X 1-1/32 X 9/16	2	17	650569	CS 1/2X1-3/4	2
4	166881	8T SPROCKET	2	18	166683	EXT. SHELL HINGE	2
5	166674	EXT IDLER SHAFT	1	19	166684	EXT. WASHER	2
6	166675	CROSS CONV FRONT HOLD DOWN	1	20	166685	PAN EXTENSION	1
7	166677	CROSS CONV BACK HOLD DOWN	1	21	166686	EXT.SHELL SPACER	2
8	166851	HANDLE GRIP	1	22	166688	EXT. SIDE PLATES	2
9	166678	HANDLE	1	23	166689	EXT. TIGHTENER BOLT	2
10	166080	BEARING FLANGE	4	24	166690	EXTENSION FRONT PANEL	1
11	166679	CROSS CONVEYOR	1	25	166691	EXT SLIDER PAN ASSEMBLY	1
12	081311	PLAIN CONNECTOR	2	26	166692	EXTENSION BACK PANEL	1
13	166680	MAIN SHELL	1	27	166693	EXTENSION LATCH	1
14	166681	EXT. BRACE	1	28	166062	SPRING	1

Index

A

Apron drive, 6–7

B

Beaters, 6–7

Box components, 16–17

C

Cross apron & drive, 8–9

Cross conveyor clutch, belt drive,
12–13

D

Decal
application, 2

locations, 2–4

G

Gearbox

Bevel, 14

Worm, 15

H

Housing components, 18

I

Introduction, 2

L

Lights, 19

O

Optional 12” extension, 22

P

Paint notice, 2

PTO parts, 21

S

Shields, beater clutch belt drive,
10–11

T

Tie down kit, 20

1620 - NUMERICAL INDEX

Part No.	Page No.	Ref. No.	Part No.	Page No.	Ref. No.	Part No.	Page No.	Ref. No.	Part No.	Page No.	Ref. No.
D9130	09	21	094921	04	04	166101	15	17	166565	07	13
H195A	07	05	094922	02	05	166107	13	14	166586	18	13
H728A	09	18	094922	04	05	166108	09	32	166587	11	15
H8224	07	11	094923	02	06	166108	11	63	166588	11	16
L94790	07	01	094923	04	06	166147	11	21	166589	11	17
005870	21	04	095026	11	46	166150	14	19	166591	18	14
048728	07	00	119514	19	01	166151	15	10	166592	11	27
053827	14	18	119548	02	27	166153	13	05	166593	11	28
053827	15	16	119548	04	27	166154	07	24	166594	11	29
059060	19	09	119661	02	25	166155	13	50	166595	11	31
066172	09	23	119661	04	25	166157	21	03	166596	11	32
067847	13	31	124330	11	19	166159	21	05	166597	11	33
071706	11	25	124331	13	40	166160	21	09	166598	11	34
071706	13	27	138245	15	13	166161	21	11	166599	11	35
071706	20	03	143007	02	16	166163	07	30	166600	18	15
076099	13	51	143007	04	16	166164	09	38	166601	11	36
078262	11	23	145011	21	00	166165	11	30	166602	11	38
080863	07	10	145216	02	26	166170	11	13	166603	11	39
081311	09	37	145216	04	26	166176	09	35	166604	11	41
081311	22	12	145217	02	09	166177	09	36	166605	18	16
086925	21	13	145217	04	09	166194	07	31	166606	11	52
091050	02	01	145235	17	47	166195	09	20	166607	14	02
091050	04	01	153369	17	30	166197	09	30	166608	14	15
091444	02	23	163957	02	08	166197	11	64	166609	14	00
091444	04	23	163957	04	08	166198	19	07	166610	15	11
092052	21	12	166059	07	22	166199	19	06	166611	18	17
093020	02	31	166060	13	09	166208	14	08	166612	15	15
093020	04	31	166062	22	28	166209	14	09	166614	17	01
093202	02	15	166070	13	18	166211	14	11	166615	17	01
093202	04	15	166074	14	04	166217	22	16	166617	17	02
093366	02	33	166074	15	02	166220	11	37	166618	17	02
093366	04	33	166075	14	10	166221	18	08	166620	17	03
093367	02	18	166075	15	22	166223	13	45	166621	17	03
093367	04	18	166078	14	03	166224	13	46	166622	17	04
093373	02	17	166080	09	06	166226	11	43	166624	17	04
093373	04	17	166080	13	12	166226	13	36	166625	17	05
093444	02	07	166080	22	10	166228	15	08	166626	17	06
093444	04	07	166081	21	06	166229	15	20	166627	17	06
093653	02	10	166084	07	53	166230	15	23	166628	18	19
093653	04	10	166086	11	40	166231	15	00	166630	17	13
094762	13	25	166086	18	01	166390	18	24	166631	17	13
094914	02	24	166087	15	07	166537	09	28	166633	17	14
094914	04	24	166089	15	21	166541	07	03	166634	17	14
094920	02	03	166094	09	29	166542	14	13	166636	17	15
094920	04	03	166097	09	10	166545	14	17	166637	17	15
094921	02	04	166098	07	04	166546	14	07	166639	17	17
									166640	17	17
									166641	18	21

1620 - NUMERICAL INDEX

Part No.	Page No.	Ref. No.	Part No.	Page No.	Ref. No.	Part No.	Page No.	Ref. No.	Part No.	Page No.	Ref. No.
166642	17	22	166690	22	24	166756	11	01	166815	07	59
166643	17	23	166691	22	25	166757	11	05	166816	09	01
166644	17	24	166692	22	26	166758	11	06	166818	09	03
166646	17	27	166693	22	27	166759	11	07	166819	09	04
166647	18	22	166696	07	16	166761	07	27	166820	09	08
166648	17	28	166697	17	16	166762	18	07	166821	09	09
166649	17	29	166698	17	16	166763	07	61	166822	09	12
166650	17	31	166701	11	26	166769	09	33	166823	09	13
166651	17	32	166703	18	28	166770	09	26	166824	09	14
166652	17	33	166704	11	58	166771	21	10	166825	09	15
166653	17	34	166705	11	59	166772	17	45	166826	18	11
166654	17	35	166706	11	61	166773	18	05	166827	09	25
166655	17	36	166707	11	10	166774	07	32	166828	09	31
166656	17	37	166708	11	20	166775	11	69	166829	09	34
166657	17	38	166713	18	04	166777	07	62	166830	18	12
166658	18	03	166718	18	27	166780	18	29	166831	11	03
166659	18	23	166719	17	25	166781	18	30	166832	11	08
166660	17	39	166720	19	08	166783	18	31	166833	11	09
166661	07	60	166726	20	04	166785	07	49	166834	07	57
166662	18	26	166727	20	05	166786	17	01	166835	17	07
166663	18	25	166729	07	23	166787	17	02	166836	17	08
166664	11	55	166730	11	44	166788	17	03	166837	17	09
166665	11	53	166731	11	45	166789	17	04	166838	17	10
166666	11	54	166732	13	02	166790	17	13	166839	17	41
166667	09	19	166733	13	04	166791	17	14	166840	17	42
166669	07	06	166734	13	11	166792	17	15	166841	17	06
166670	11	42	166735	13	07	166793	07	35	166842	17	05
166671	17	44	166736	13	10	166794	17	16	166845	13	42
166672	17	44	166737	13	03	166795	17	17	166846	11	48
166674	11	67	166738	13	08	166796	07	38	166847	11	49
166674	22	05	166739	13	33	166798	07	40	166848	11	50
166675	22	06	166741	11	68	166799	07	41	166849	11	51
166676	07	07	166742	13	17	166800	18	06	166851	22	08
166677	22	07	166743	13	34	166802	07	43	166853	15	19
166678	22	09	166744	13	35	166803	07	44	166854	15	09
166679	22	11	166745	07	25	166804	07	45	166855	09	17
166680	22	13	166746	13	15	166805	07	46	166855	13	13
166681	22	14	166747	18	18	166806	07	47	166866	18	02
166682	22	15	166748	09	16	166807	21	02	166867	11	12
166683	22	18	166749	18	20	166808	07	49	166868	11	22
166684	22	19	166750	13	48	166809	07	49	166869	11	24
166685	22	20	166751	11	47	166810	07	52	166870	21	07
166686	22	21	166752	07	26	166811	07	54	166871	07	12
166687	07	08	166753	11	04	166812	07	55	166872	11	60
166688	22	22	166754	13	47	166813	07	56	166873	07	19
166689	22	23	166755	13	49	166814	07	58	166874	07	29
									166875	13	06

1620 - NUMERICAL INDEX

Part No.	Page No.	Ref. No.	Part No.	Page No.	Ref. No.	Part No.	Page No.	Ref. No.	Part No.	Page No.	Ref. No.
166876	09	27	166939	17	46	170663	07	20	650490	15	18
166878	21	14	166940	17	46	170670	19	03	650495	11	18
166879	21	08	166965	19	02	170671	19	05	650513	09	11
166880	07	33	170316	02	02	500037	11	14	650513	13	28
166881	22	04	170316	04	02	500057	07	00	650513	14	01
166882	07	36	170520	02	30	500057	09	00	650513	14	14
166883	07	37	170520	04	30	500060	07	00	650513	15	14
166884	07	42	170521	02	20	500060	09	00	650569	22	17
166885	07	50	170521	04	20	500092	07	21	650579	13	20
166886	07	51	170523	02	19	500195	07	00	650594	13	26
166887	07	57	170523	04	19	520032	14	06	650681	07	17
166888	18	10	170524	02	22	520032	15	04	650863	11	57
166889	09	22	170524	04	22	520033	14	05	651148	13	41
166890	11	11	170525	02	13	520033	15	03	651148	20	02
166891	09	24	170525	04	13	520063	09	07	651156	13	21
166892	17	43	170526	02	12	520063	13	16	651571	11	02
166895	07	39	170526	04	12	520063	22	02	653010	07	14
166897	14	12	170527	02	11	520084	09	05	653010	13	22
166897	15	01	170527	04	11	520084	11	62	653038	13	24
166898	13	44	170528	02	29	520084	13	37	654006	07	15
166899	18	09	170528	04	29	520084	22	01	654006	13	32
166904	15	05	170529	02	28	520085	07	02	654026	13	23
166905	07	34	170529	04	28	650028	09	39	654030	13	52
166906	22	03	170530	02	21	650062	11	65	170-10463	15	24
166910	11	56	170530	04	21	650204	13	30	180-10773	14	16
166912	13	38	170531	02	14	650213	13	29	180-13128	07	28
166915	13	39	170531	04	14	650215	15	06	180-13128	15	12
166916	09	02	170542	02	32	650453	20	01	180-32147	07	09
166935	18	32	170542	04	32	650490	11	66	360-17392	13	43
166938	17	46	170663	07	18	650490	13	19			






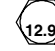
NOTES

NOTES

TORQUE SPECIFICATIONS

NOTE: Use these torque values when tightening **GEHL** hardware (excluding: Locknuts and Self-tapping, Thread Forming and Sheet Metal Screws) unless specified otherwise.

**All torque values are in Lb-Ft except those marked with an * which are Lb-In
(For metric torque value Nm, multiply Lb-Ft value by 1.355 or Lb-In value by 0.113)**

Unified National Thread	Grade 2 		Grade 5 		Grade 8 	
	Dry	Lubed	Dry	Lubed	Dry	Lubed
8-32 8-36	19* 20*	14* 15*	30* 31*	22* 23*	41* 43*	31* 32*
10-24 10-32	27* 31*	21* 23*	43* 49*	32* 36*	60* 68*	45* 51*
1/4-20 1/4-28	66* 76*	50* 56*	9 10	75* 86*	12 14	9 10
5/16-18 5/16-24	11 12	9	17 19	13 14	25	18 20
3/8-16 3/8-24	20 23	15 17	30 35	23 25	45 50	35
7/16-14 7/16-20	32 36	24 27	50 55	35 40	70 80	55 60
1/2-13 1/2-20	50 55	35 40	75 90	55 65	110 120	80 90
9/16-12 9/16-18	70 80	55 60	110 120	80 90	150 170	110 130
5/8-11 5/8-18	100 110	75 85	150 180	110 130	220 240	170 180
3/4-10 3/4-16	175 200	130 150	260 300	200 220	380 420	280 320
7/8-9 7/8-14	170 180	125 140	430 470	320 360	600 660	460 500
1-8 1-14	250 270	190 210	640 710	480 530	900 1000	680 740
Metric Course Thread	Grade 8.8 		Grade 10.9 		Grade 12.9 	
	Dry	Lubed	Dry	Lubed	Dry	Lubed
M6-1	8	6	11	8	13.5	10
M8-1.25	19	14	27	20	32.5	24
M10-1.5	37.5	28	53	39	64	47
M12-1.75	65	48	91.5	67.5	111.5	82
M14-2	103.5	76.5	145.5	108	176.5	131
M16-2	158.5	117.5	223.5	165.5	271	200

GEHL®

Gehl Company 143 Water Street, P.O. Box 179, West Bend, WI 53095-0179 U.S.A.
(www.gehl.com)