

Form No.
907082
Replaces
906134

1400/1800

Quick Wrap



SERVICE PARTS MANUAL

GEHL® AGRICULTURE

Introduction

When ordering service parts, specify the correct part number, full description, quantity required, and the unit model number and serial number.

The QW1400 and QW1800 model and serial numbers are on the Left Panel Assembly below the Drive Assembly. "Right" and "left" are determined from a position standing behind the unit and facing the direction of travel. From this position, the Drive Chains are on the "left" side.

GEHL® Company reserves the right to make changes or improvements in the design or construction of any part of the unit without incurring the obligation to install such changes on any previously delivered units.

Standard attaching hardware torque values are also provided on the inside back cover.

NOTE: *On original tire replacement, company policy prohibits the sale of replacement tires for all GEHL machinery. Replacement Wheel Sets are available and tire size information is called out with the Wheel Sets to facilitate replacement tire selection. ALL REPLACEMENT TIRES MUST BE PURCHASED LOCALLY.*

Refer to the abbreviations table located on this page for the various fastener descriptions. Standard attaching hardware torque values are also provided on the inside back cover.

In the exploded view parts list, Reference Numbers may have additional information following the Reference Number. A number in parentheses such as (4), will indicate a quantity of how many times that Reference Number is used at the location shown. A Tear Drop symbol will indicate an application of a "wet" product such as oil, grease or anti-seize compound and the number inside the Tear Drop will correspond to the description in the Parts List. Also, a number inside of a hexagon will be the torque value required, in foot pounds, on the associated Reference Number. Items shown in the parts list that do not have Reference Numbers or are shown in phantom are shown for reference purposes only and are NOT available for purchase.

Unless otherwise specified, all Cap Screws or Bolts are Grade 5, cadmium or zinc plated; Hexagon Nuts for Grade 5 Screws or Bolts are Grade B; Hexagon Nuts for other Screws or Bolts are Grade A.

NOTE: *The following abbreviations may be used herein:*



ASSD	– Assembled
ASSM'D	– Assembled
ASSY	– Assembly
BRG	– Bearing
CB	– Carriage Bolt
CCW	– Counterclockwise
CEN	– Center
CONV	– Conveyor
CP	– Cotter Pin or Cone Point
CS	– Cap Screw (Hexagon Head)
EXT	– Extension
HHC	– Hex Head Cap
HWHTC	– Hex Washer Head Thread Cutting
HYD	– Hydraulic
I.D.	– Inside Diameter
IMPL	– Implement
INCL	– Includes
JN	– Jam Nut
L	– Lock (Washer)
LG	– Large
LH	– Left Hand
LN	– Lock Nut (Hexagon)
LT	– Left
MM/mm	– Millimeter
MS	– Machine Screw
N	– Nut (Hexagon)
NF	– National Fine
NPT	– National Pipe Thread
P	– Plain (Washer)
RGT	– Right
RHMS	– Round Head Machine Screw
RHSMS	– Round Head Sheet Metal Screw
RT	– Right
SHSS	– Socket Head Set Screw
T	– Tooth or Teeth
TCS	– Thread Cutting Screw
TFS	– Thread Forming Screw
THMS	– Truss Head Machine Screw
UNF	– Universal National Fine
UPP	– Upper
W/	– With
WHT	– White
WN	– Wing Nut
#	– Number
()	– (Quantity Used This Location)
	– Torque Required in foot pounds
	– Indicates a Fluid Application

TABLE OF CONTENTS

Introduction	Inside Front Cover
Table of Contents	1
Decal Locations	2-3
Rollers & Brackets	4-5
Right Side Assembly	6-7
Left Side Assembly	8-9
Shields, Control Box & Harnesses	10-13
Bale Ramp Shields	14
Components	15-16
Actuator (126236)	15
Actuator (126215)	16
Numerical Index	17-18
Standard Hardware Torque Specifications	Inside Back Cover

DECAL LOCATIONS

GENERAL INFORMATION

Decal Locations information is provided to assist in the proper selection and application of new decals, in the event the original decals become damaged or the machine is repainted. Refer to the listing for the illustration reference number, part number, description and quantity of each decal provided in the Kit. Refer to the appropriate illustrations for replacement locations.

To insure proper selection of the correct replacement decals, compare all of the various closeup location drawings to your machine, before starting to refinish the unit. Then, circle each shown decal (on or otherwise applicable to your machine) while checking off its part number in the listing. After you have verified all the decals needed for replacement, place any extra unnecessary decals aside for disposal.

NEW DECAL APPLICATION

Surfaces **MUST** be free from dirt, dust, grease and other foreign material before applying the new Decal. To apply, remove the smaller portion of the decal backing paper and apply this part of the exposed adhesive backing to the clean surface while maintaining proper position and alignment. Peel the other portion of the backing paper off slowly while applying hand pressure to smooth out the Decal surface.



CAUTION

ALWAYS observe Safety Rules shown on Decals. If Decals become damaged, or the unit is painted, replace the Decals. If repainting, **BE SURE** that **ALL** Decals from the Kit(s) which apply to your machine, are affixed to your unit.

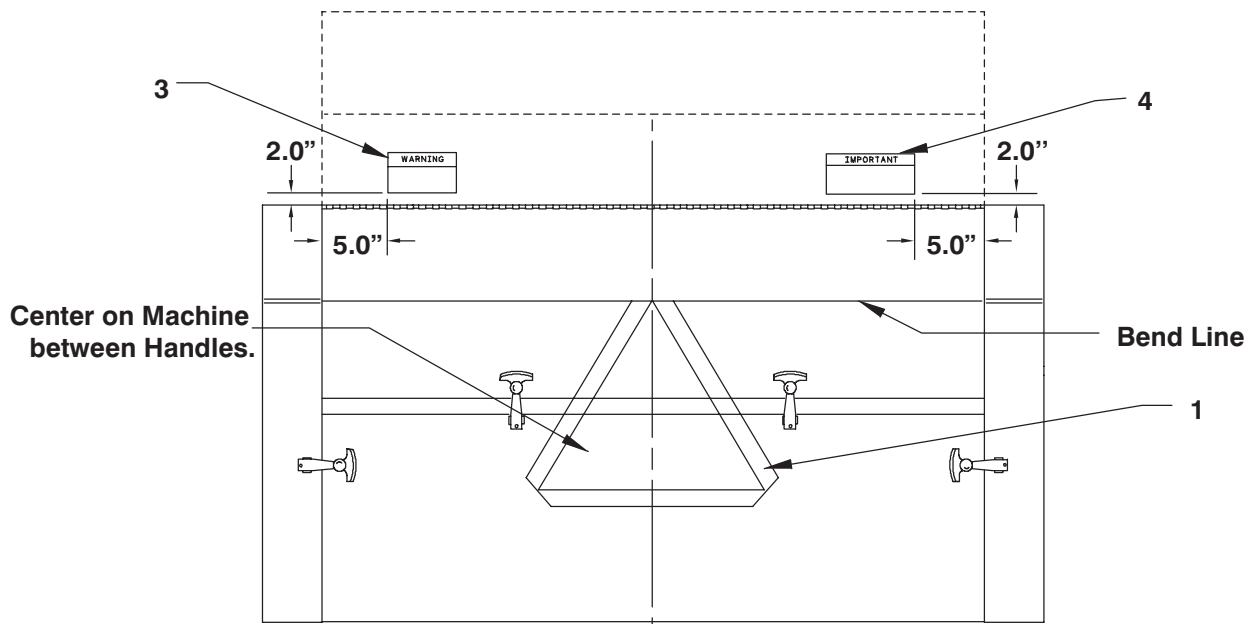
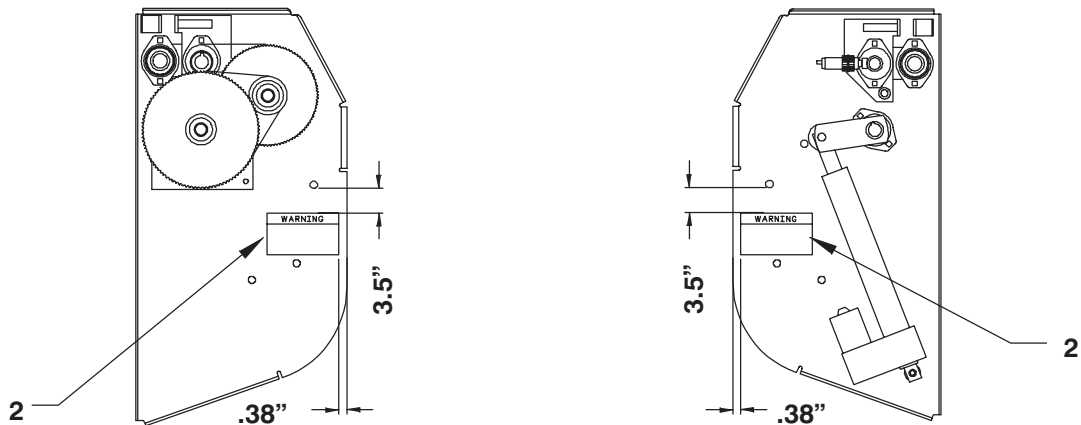
PAINT NOTICE

Use this list to order paint for refinishing:

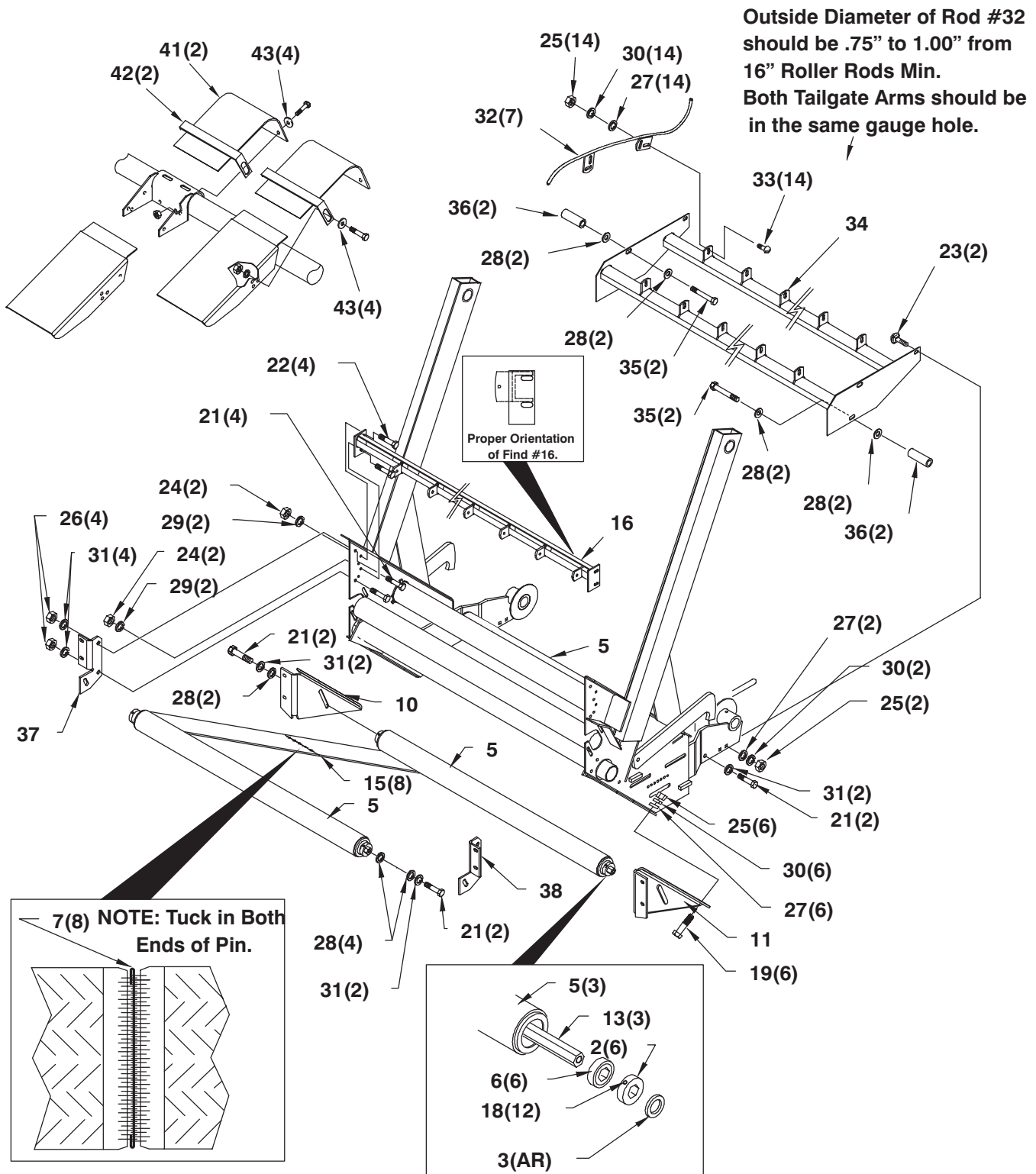
906315	One Gal. AG Red
901225	One Gallon Blaze Paint
906316	6 (12 oz. Spray Cans) AG Red
610239	6 (12oz Spray Cans) Blaze Paint

Individual Decal Sets for the QW1400 and QW1800 Quick Wraps are **NOT** available. The Decals used on the Quick Wraps are included in the Decal Sets used on the RB1470 and RB1870. The Decal Set Number for the RB1470 is 115577 and the Decal Set Number for the RB1870 is 115578. If complete Decal Sets are not needed, order individual Decals required from the list below. The complete Decal Sets also include the following:

Ref. No.	Part No.	Description & Quantity
1.	047272	Decal – SMV
2.	093457	WARNING – Moving Components (2 Places)
3.	124982	WARNING – Pinch Point
4.	113151	Decal – Net Instructions



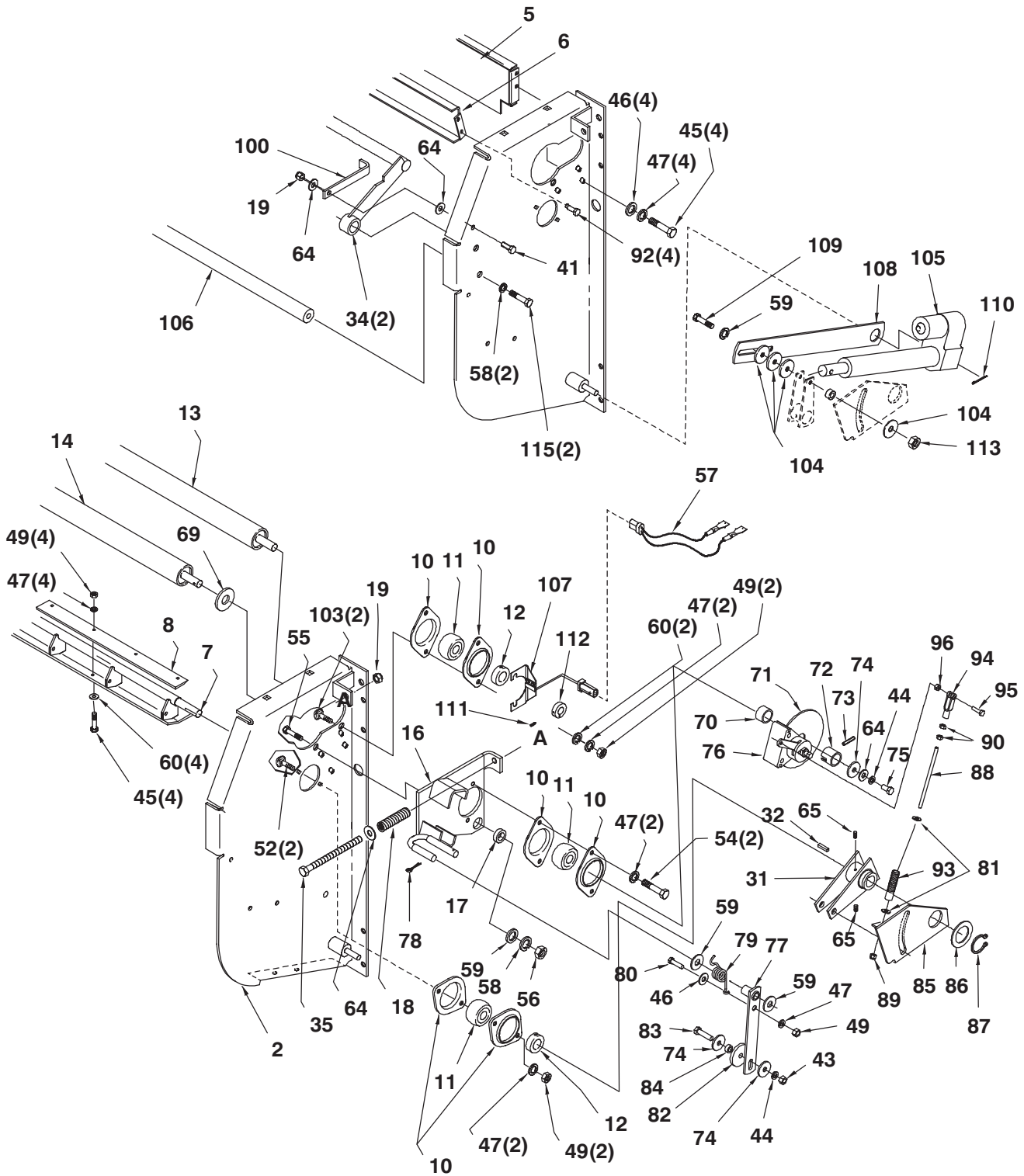
QW1400/1800 - ROLLERS & BRACKETS



QW1400/1800 - ROLLERS & BRACKETS

Ref. No.	Part No.	Description	Qty. Req.	Ref. No.	Part No.	Description	Qty. Req.
02	048995	COLLAR/SET	6	25	653010	HN 3/8 (QW1400)	18
03	058138	FW 17/32	12		653010	HN 3/8 (QW1800)	22
05	084628	ROLL/BALE STARTER ASSY	3	26	653018	HN 1/2	4
		(QW1400)		27	654006	FW 3/8 (QW1400)	18
	125644	ROLL/QUICK WRAP	3		654006	FW 3/8 (QW1800)	20
		(QW1800)		28	654009	FW 1/2	14
06	084630	BEARING/.88 HEX	6	29	654024	LW 5/16	4
07	094104	PIN/BELT CABLE	8	30	654026	LW 3/8 (QW1400)	18
10	111303	BRACE/LEFT (QW1400)	1		654026	LW 3/8 (QW1800)	22
	125639	BRACE/LH (QW1800)	1	31	654030	LW 1/2	10
11	111323	BRACE/RIGHT (QW1400)	1	32	112969	ASSY/GUIDE (QW1400)	5
	125638	BRACE/RH (QW1800)	1		112959	ASSY/FEEDER FINGER (QW1800)	7
13	124197	SHAFT/HEX (QW1400)	3	33	650704	CB 3/8X1 (QW1400)	10
	125637	SHAFT/HEX (QW1800)	3		650704	CB 3/8X1 (QW1800)	14
15	118659	FEEDER BELT (QW1400)	6	34	112966	ASSY/MOUNT (QW1400)	1
	118660	FEEDER BELT (QW1800)	8		112961	ASSY/MOUNTING BRACKET	1
16	124751	GUIDE/BELT ASSY (QW1400)	1			(QW1800)	
	125664	GUIDE ASSY/BELT (QW1800)	1	35	650644	CS 1/2X3	4
18	650197	SHSS CP 1/4X3/8	8	36	3E136	SPACER/TIGHTENER PULLEY	4
19	650490	CS 3/8X1	6	37	113154	BRACKET/MOUNTING LH	1
21	650495	CS 1/2X1-1/4	10	38	113158	BRACKET/MOUNTING RH	1
22	650573	CB 5/16X1	4	41	125120	SHIELD/RAMP	2
23	650786	CB 3/8X1-1/4	2	42	125918	STRAP/HOLD DOWN	2
24	653007	HN 5/16	4	43	654009	FW 1/2	8

QW1400/1800 - RIGHT SIDE ASSEMBLY



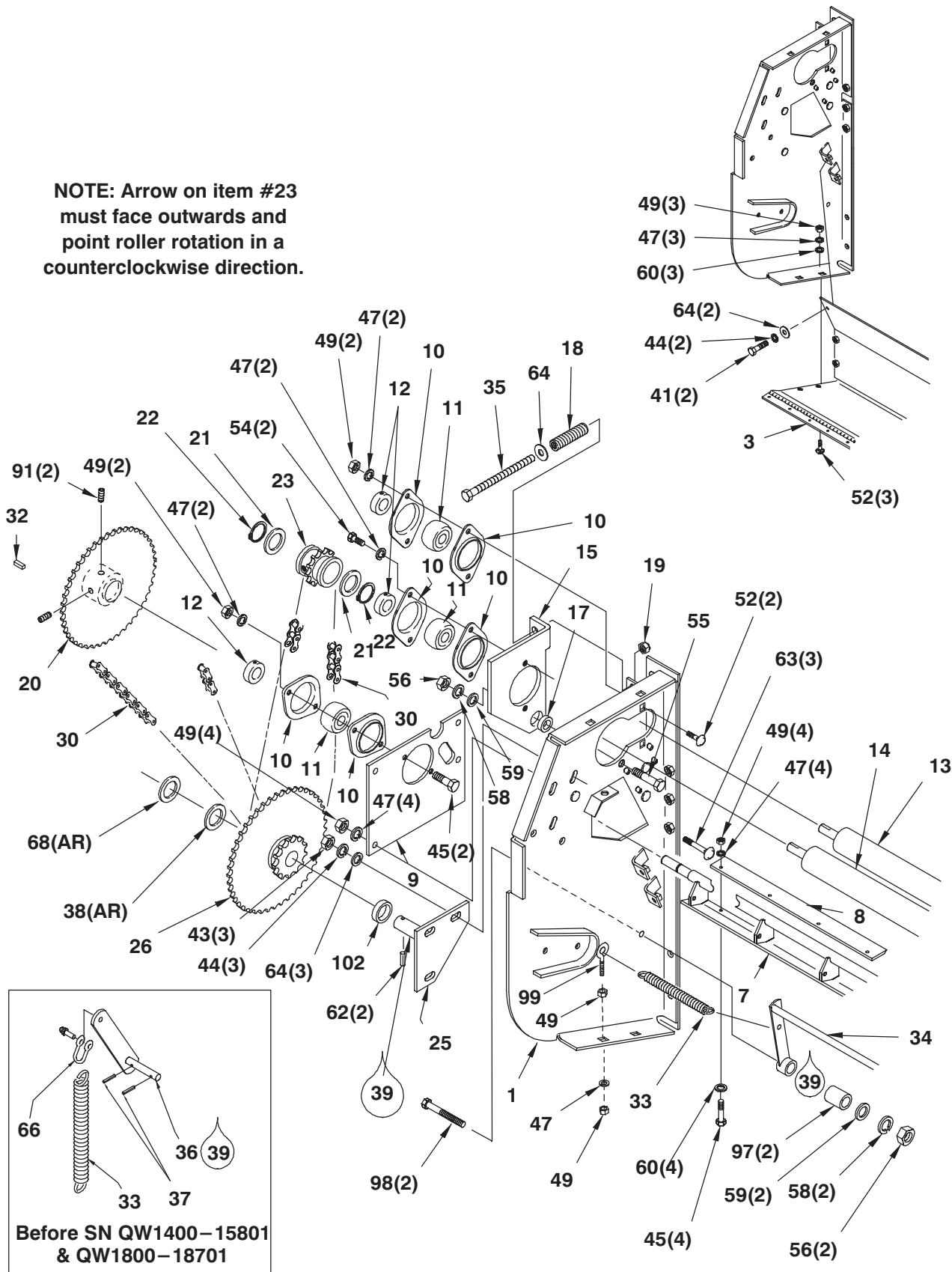
QW1400/1800 - RIGHT SIDE ASSEMBLY

Ref. No.	Part No.	Description	Qty. Req.	Ref. No.	Part No.	Description	Qty. Req.
01	118484 _a	PANEL ASSY/LT	1	64	654006	FW 3/8	10
02	118485 _a	PANEL ASSY/RT	1	65	650195	SHSS CP 1/4X1/4	2
03	099198	PANEL/ASSY FRT (QW1400)	1	68	6H154	FW 25/32	3
	125634	PANEL ASSY/FRONT (QW1800)	1	69	112980	WASHER	1
05	125926	GUIDE/ASSY FRONT (QW1400)	1	70	112982	SPACER	1
	125950	GUIDE/ASSY FRONT (QW1800)	1	71	112979	DISC	1
06	113396	GUIDE ASSY/REAR (QW1400)	1	72	112985	SPACER	1
	113399	GUIDE ASSY/REAR (QW1800)	1	73	040775	PIN/SPRING	1
07	113390	HOLDER/BLADE ASSY (QW1400)	1	74	048028	FW 13/32	3
	113392	BLADE HOLDER ASSY (QW1800)	1	75	650488	CS 3/8X3/4	1
08	099197	BLADE (QW1400)	2	76	072186 _b	BRAKE/RIGHT	1
	125646	BLADE (QW1800)	2	77	127133	ASSY/STRAP	1
09	099190	PLATE/COVER	1	78	651159	PIN/COTTER 3/32X1	1
10	B11335	RETAINER/BEARING	12	79	B11108B	SPRING/ECC FOLLOWER	1
11	520063	BEARING/BALL	6	80	650486	CS 5/16X3/4	1
12	520084	COLLAR/BEARING	5	81	654002	FW 1/4	12
13	118163	ROLL/IDLER ASSY (QW1400)	1	82	113140	WASHER/THREADED	1
	118162	ROLL/IDLER ASSY (QW1800)	1	83	650533	CS 3/8X1-1/2	1
14	113378	ROLL/DRIVE ASSY (QW1400)	1	84	091716	SPACER	1
	113379	ROLL/DRIVE ASSY (QW1800)	1	85	112832	ASSY/PIVOT	1
15	099134	PLATE/BRG LT	1	86	081017	FW SPECIAL	1
16	112592	ANCHOR/ASSY	1	87	051904	RING/RETAINING	1
17	099153	SPACER	2	88	112831	ROD/ADJUSTMENT	1
18	111330	SPRING	2	89	121002	NUT/NYLON INSERT LOCK 1/4 NF	1
19	067847	NUT/NYLON INSERT LOCK 3/8	3	90	650546	N 1/4 NF	2
20	113385	SPROCKET ASSY	1	91	650213	SHSS CP 3/8X3/8	2
21	111324	BEARING/THRUST	2	92	650985	HWHTC 5/16X3/4	4
22	076161	RING/RETAINING	2	93	056227	SPRING/COMPRESSION	1
23	113376	ASSY/SPROCKET	1	94	072918	YOKE	1
25	125124	IDLER/ASSY	1	95	650835	CS 1/4X1	1
26	113384	ASSY/SPROCKET	1	96	071700	LN 1/4	1
30	066770	CHAIN/ROLLER	2	97	070764	TUBE/CYLINDER TRIP ARM	2
31	112599	ARM ASSY	1			(AFTER SN QW1400-15800 & QW1800-18700)	
32	180-17243	KEY	2				
33	076090	SPRING/EXTENSION	1	98	650502	CS 1/2X2-1/4	2
34	112993	BAR/REWRAP ASSY (QW1400)	2	99	061858	EYE BOLT/LATCH	1
	112988	BAR/REWRAP ASSY (QW1800)	2			(AFTER SN QW1400-15800 & QW1800-18700)	
	117023	HOLDDOWN/NET ROLL (QW1400)	1	100	112992	LOCK	1
	125642	HOLDDOWN/NET ROLL (QW1800)	1	102	H6077	SPACER/UNIV DR GUARD	1
		(BEFORE SN QW1400-15801 & QW1800-17801)		103	650573	CB 5/16X1	2
				104	057557	FW 17/32	4
				105	126236 _c	ACTUATOR	1
35	076846	BOLT/HEX TAP	2	106	124680	ROD/NET TENSION (QW1400)	1
38	400-32443	FW 25/32	4		125905	ROD/NET TENSION (QW1800)	1
39		COMPOUND/ANTI-SEIZE		107	112586	PINCH COUNT SWITCH	1
41	650490	CS 3/8X1	6	108	125249	ARM/STOP	1
43	653010	HN 3/8	4	109	117955	BOLT/SPECIAL	1
44	654026	LW 3/8	7	110	650878	PIN/COTTER 5/32X1	1
45	650487	CS 5/16X1 (QW1400)	14	111	650199	SHSS CP 1/4X1/2	1
		CS 5/16X1 (QW1800)	16	112	118517	ASSY/RING	1
46	650810	FW 5/16	5	113	068034	NUT/NYLON INSERT LOCK 1/2	1
47	654024	LW 5/16 (QW1400)	33	114	068542	SPACER	1
		LW 5/16 (QW1800)	35	115	650494	CS 1/2X1	2
49	653007	HN 5/16 (QW1400)	26	116	125251	ARM/ASSY	1
		HN 5/16 (QW1800)	28			(BEFORE SN QW1400-15801 & QW1800-17801)	
52	650687	CB 5/16X3/4	7				
54	650484	CS 5/16X1/2	4	117	051569	PIN/SPRING	2
55	650495	CS 1/2X1-1/4	2			(BEFORE SN QW1400-15801 & QW1800-17801)	
56	653018	HN 1/2	4				
57	112813	ADAPTER	1	118	613043	SHACKLE	1
58	654030	LW 1/2	6			(BEFORE SN QW1400-15801 & QW1800-17801)	
59	654009	FW 1/2	7				
60	654004	FW 5/16 (QW1400)	13				
		FW 5/16 (QW1800)	15				
61	650488	CS 3/8X3/4 (QW1800 ONLY)	1				
62	057864	PIN/SPRING	2				
63	650704	CB 3/8X1	3				

- a) Includes 093457 Warning Decal.
- b) For replacement Brake Pad order 073693.
- c) Some early models used 126215 Actuator. For individual parts, see Components page titled Actuator.

QW1400/1800 - LEFT SIDE ASSEMBLY

**NOTE: Arrow on item #23
must face outwards and
point roller rotation in a
counterclockwise direction.**



Before SN QW1400-15801
& QW1800-18701

QW1400/1800 - LEFT SIDE ASSEMBLY

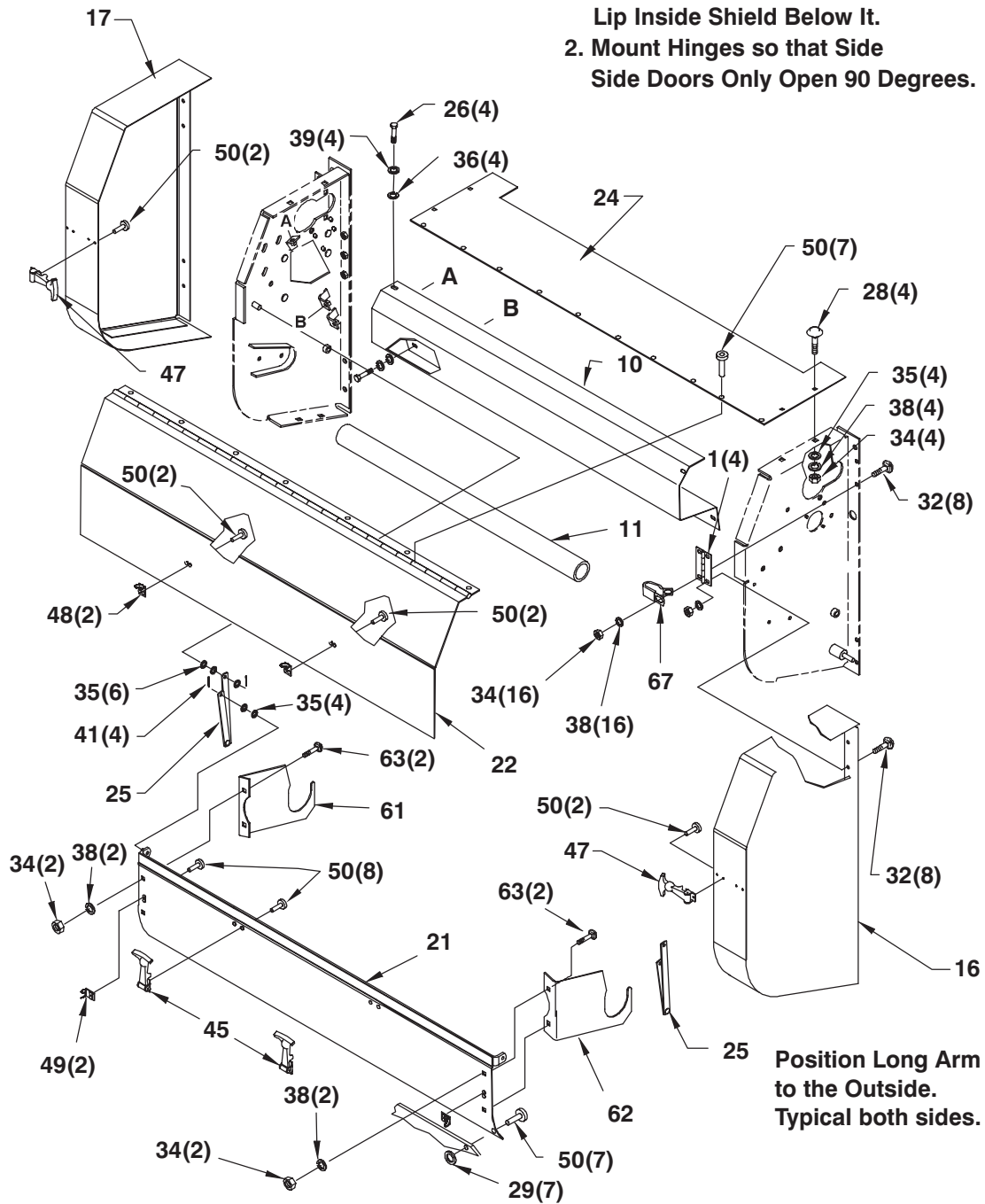
Ref. No.	Part No.	Description	Qty. Req.	Ref. No.	Part No.	Description	Qty. Req.
01	118484 _a	PANEL ASSY/LT	1	64	654006	FW 3/8	10
02	118485 _a	PANEL ASSY/RT	1	65	650195	SHSS CP 1/4X1/4	2
03	099198	PANEL/ASSY FRT (QW1400)	1	68	6H154	FW 25/32	3
	125634	PANEL ASSY/FRONT (QW1800)	1	69	112980	WASHER	1
05	125926	GUIDE/ASSY FRONT (QW1400)	1	70	112982	SPACER	1
	125950	GUIDE/ASSY FRONT (QW1800)	1	71	112979	DISC	1
06	113396	GUIDE ASSY/REAR (QW1400)	1	72	112985	SPACER	1
	113399	GUIDE ASSY/REAR (QW1800)	1	73	040775	PIN/SPRING	1
07	113390	HOLDER/BLADE ASSY (QW1400)	1	74	048028	FW 13/32	3
	113392	BLADE HOLDER ASSY (QW1800)	1	75	650488	CS 3/8X3/4	1
08	099197	BLADE (QW1400)	2	76	072186 _b	BRAKE/RIGHT	1
	125646	BLADE (QW1800)	2	77	127133	ASSY/STRAP	1
09	099190	PLATE/COVER	1	78	651159	PIN/COTTER 3/32X1	1
10	B11335	RETAINER/BEARING	12	79	B11108B	SPRING/ECC FOLLOWER	1
11	520063	BEARING/BALL	6	80	650486	CS 5/16X3/4	1
12	520084	COLLAR/BEARING	5	81	654002	FW 1/4	12
13	118163	ROLL/IDLER ASSY (QW1400)	1	82	113140	WASHER/THREADED	1
	118162	ROLL/IDLER ASSY (QW1800)	1	83	650533	CS 3/8X1-1/2	1
14	113378	ROLL/DRIVE ASSY (QW1400)	1	84	091716	SPACER	1
	113379	ROLL/DRIVE ASSY (QW1800)	1	85	112832	ASSY/PIVOT	1
15	099134	PLATE/BRG LT	1	86	081017	FW SPECIAL	1
16	112592	ANCHOR/ASSY	1	87	051904	RING/RETAINING	1
17	099153	SPACER	2	88	112831	ROD/ADJUSTMENT	1
18	111330	SPRING	2	89	121002	NUT/NYLON INSERT LOCK 1/4 NF	1
19	067847	NUT/NYLON INSERT LOCK 3/8	3	90	650546	N 1/4 NF	2
20	113385	SPROCKET ASSY	1	91	650213	SHSS CP 3/8X3/8	2
21	111324	BEARING/THRUST	2	92	650985	HWHTC 5/16X3/4	4
22	076161	RING/RETAINING	2	93	056227	SPRING/COMPRESSION	1
23	113376	ASSY/SPROCKET	1	94	072918	YOKE	1
25	125124	IDLER/ASSY	1	95	650835	CS 1/4X1	1
26	113384	ASSY/SPROCKET	1	96	071700	LN 1/4	1
30	066770	CHAIN/ROLLER	2	97	070764	TUBE/CYLINDER TRIP ARM	2
31	112599	ARM ASSY	1			(AFTER SN QW1400-15800 & QW1800-18700)	
32	180-17243	KEY	2				
33	076090	SPRING/EXTENSION	1	98	650502	CS 1/2X2-1/4	2
34	112993	BAR/REWRAP ASSY (QW1400)	2	99	061858	EYE BOLT/LATCH	1
	112988	BAR/REWRAP ASSY (QW1800)	2			(AFTER SN QW1400-15800 & QW1800-18700)	
	117023	HOLDDOWN/NET ROLL (QW1400)	1	100	112992	LOCK	1
	125642	HOLDDOWN/NET ROLL (QW1800)	1	102	H6077	SPACER/UNIV DR GUARD	1
		(BEFORE SN QW1400-15801 & QW1800-17801)		103	650573	CB 5/16X1	2
				104	057557	FW 17/32	4
35	076846	BOLT/HEX TAP	2	105	126236 _c	ACTUATOR	1
38	400-32443	FW 25/32	4	106	124680	ROD/NET TENSION (QW1400)	1
39		COMPOUND/ANTI-SEIZE			125905	ROD/NET TENSION (QW1800)	1
41	650490	CS 3/8X1	6	107	112586	PINCH COUNT SWITCH	1
43	653010	HN 3/8	4	108	125249	ARM/STOP	1
44	654026	LW 3/8	7	109	117955	BOLT/SPECIAL	1
45	650487	CS 5/16X1 (QW1400)	14	110	650878	PIN/COTTER 5/32X1	1
		CS 5/16X1 (QW1800)	16	111	650199	SHSS CP 1/4X1/2	1
46	650810	FW 5/16	5	112	118517	ASSY/RING	1
47	654024	LW 5/16 (QW1400)	33	113	068034	NUT/NYLON INSERT LOCK 1/2	1
		LW 5/16 (QW1800)	35	114	068542	SPACER	1
49	653007	HN 5/16 (QW1400)	26	115	650494	CS 1/2X1	2
		HN 5/16 (QW1800)	28	116	125251	ARM/ASSY	1
52	650687	CB 5/16X3/4	7			(BEFORE SN QW1400-15801 & QW1800-17801)	
54	650484	CS 5/16X1/2	4	117	051569	PIN/SPRING	2
55	650495	CS 1/2X1-1/4	2			(BEFORE SN QW1400-15801 & QW1800-17801)	
56	653018	HN 1/2	4	118	613043	SHACKLE	1
57	112813	ADAPTER	1			(BEFORE SN QW1400-15801 & QW1800-17801)	
58	654030	LW 1/2	6				
59	654009	FW 1/2	7				
60	654004	FW 5/16 (QW1400)	13				
		FW 5/16 (QW1800)	15				
61	650488	CS 3/8X3/4 (QW1800 ONLY)	1				
62	057864	PIN/SPRING	2				
63	650704	CB 3/8X1	3				

- a) Includes 093457 Warning Decal.
- b) For replacement Brake Pad order 073693.
- c) Some early models used 126215 Actuator. For individual parts, see Components page titled Actuator.

QW1400/1800 - SHIELDS, CONTROL BOX & HARNESS

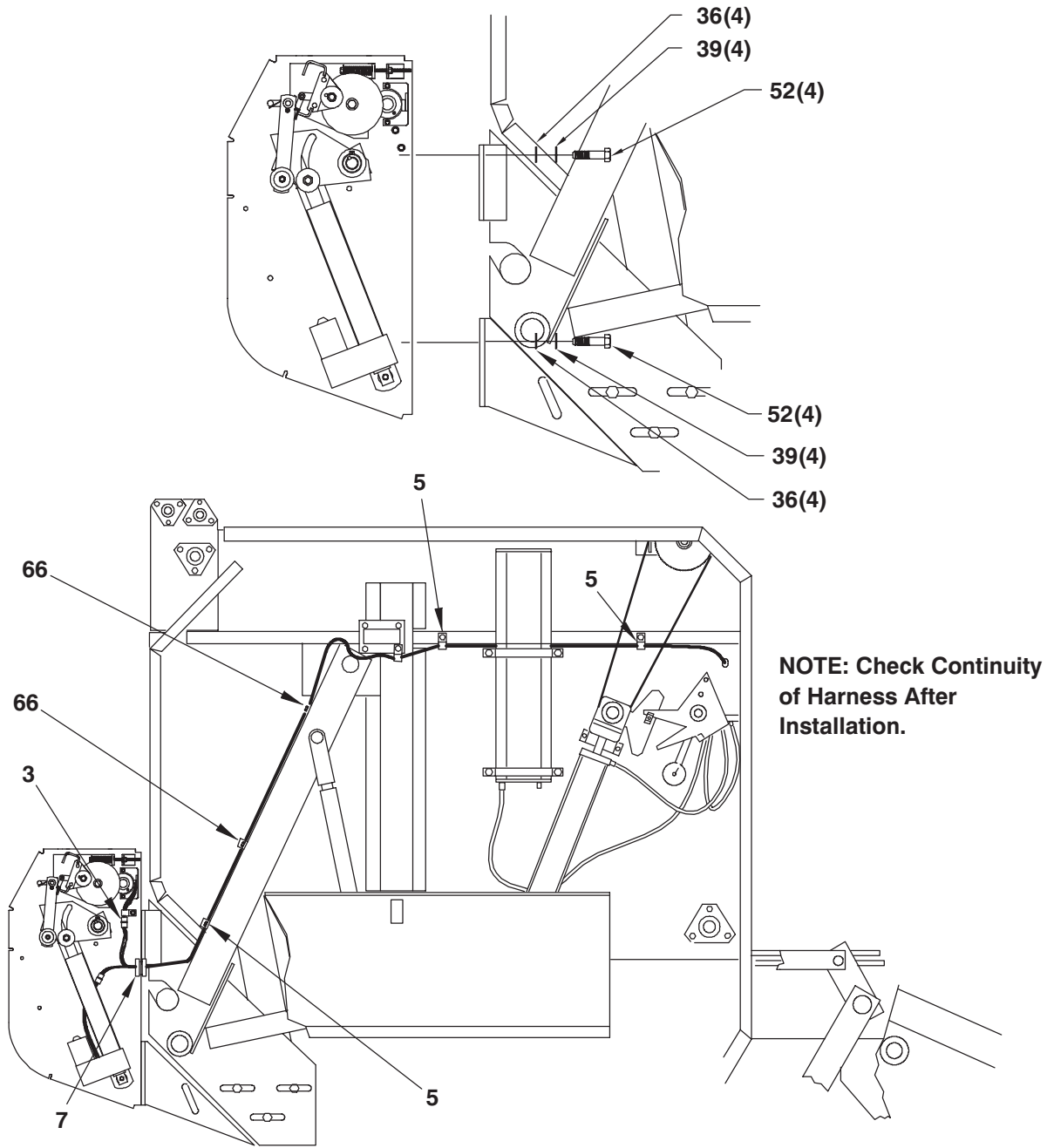
NOTE:

1. To Install Shield (Ref. #10) Fit Lower Lip Inside Shield Below It.
2. Mount Hinges so that Side Side Doors Only Open 90 Degrees.



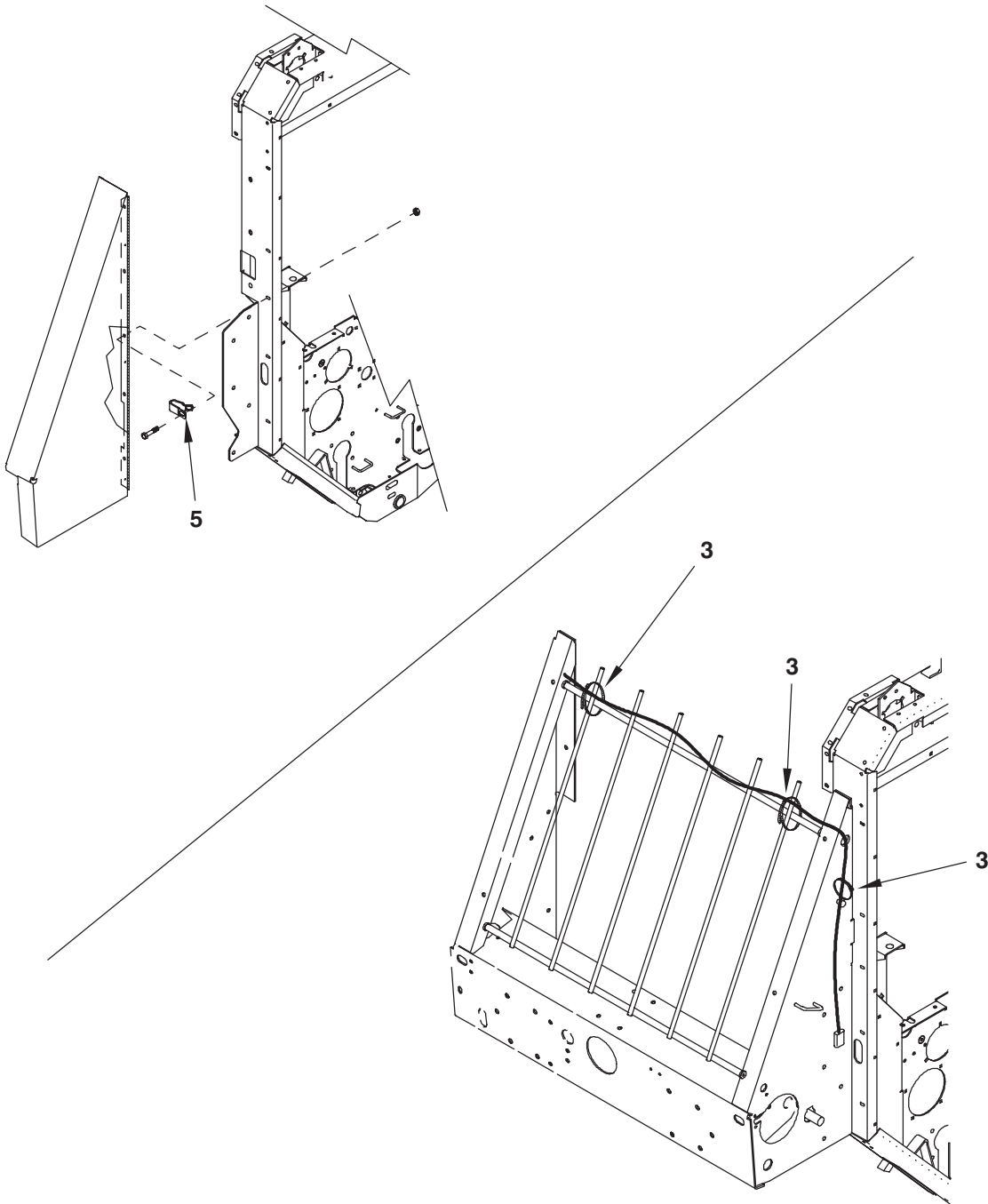
QW1400/1800 - SHIELDS, CONTROL BOX & HARNESS

Ref. No.	Part No.	Description	Qty. Req.	Ref. No.	Part No.	Description	Qty. Req.
01	046677	HINGE	4	32	650949	THMS5/16X3/4	16
03	055648	TIE/WIRE	4	34	653007	HN 5/16	24
05	061062	CLAMP/WIRE	4	35	654004	FW 5/16	14
07	125947	GROMMET	1	36	654006	FW 3/8	12
10	112837	PANEL/ACCESS(QW1400)	1	38	654024	LW 5/16	24
	112854	PANEL/ACCESS(QW1800)	1	39	654026	LW 3/8	12
11	117026	PIPE (QW1400)	1	41	655001	CP 1/16X3/4	4
	125647	PIPE/PVC (QW1800)	1	45	080648	LATCH/RUBBER	2
14	125145	HARNESS/WIRING QUICK WRAP	1	47	125266	LATCH/RUBBER	2
16	112809	SHIELD/ASSY RT	1	48	081087	KEEPER/LATCH	2
17	118159	SHIELD LH	1	49	125267	KEEPER/RUBBER LATCH	2
21	125473	TAILGATE/ASSY (QW1400)	1	50	079187	RIVET/BLIND(QW1400)	30
	125673	TAILGATE ASSY (QW1800)	1			RIVET/BLIND(QW1800)	34
22	126212	SHIELD/ASSY FRONT (QW1400)	1	52	650491	CS 3/8X1-1/4	8
	125669	SHIELD ASSY/FRONT (QW1800)	1	53	650618	HWHTC 5/16X5/8	3
24	126214	SHIELD/TOP (QW1400)	1	61	117988	PIVOT/NET ROLL RH	1
	125672	SHIELD/TOP (QW1800)	1	62	117989	PIVOT/NET ROLL LH	1
25	125488	HINGE/TAILGATE	2	63	650573	CB 5/16X1	4
26	650490	CS 3/8X1	4	66	048967	CLAMP/HOSE	2
28	650687	CB 5/16X3/4	4	67	059075	CLAMP/HOSE	1
29	650584	FW #10 (QW1400)	7				
		FW #10 (QW1800)	9				



QW1400/1800 - SHIELDS, CONTROL BOX & HARNESS

Ref. No.	Part No.	Description	Qty. Req.	Ref. No.	Part No.	Description	Qty. Req.
01	046677	HINGE	4	32	650949	THMS5/16X3/4	16
03	055648	TIE/WIRE	4	34	653007	HN 5/16	24
05	061062	CLAMP/WIRE	4	35	654004	FW 5/16	14
07	125947	GROMMET	1	36	654006	FW 3/8	12
10	112837	PANEL/ACCESS(QW1400)	1	38	654024	LW 5/16	24
	112854	PANEL/ACCESS(QW1800)	1	39	654026	LW 3/8	12
11	117026	PIPE (QW1400)	1	41	655001	CP 1/16X3/4	4
	125647	PIPE/PVC (QW1800)	1	45	080648	LATCH/RUBBER	2
14	125145	HARNESS/WIRING QUICK WRAP	1	47	125266	LATCH/RUBBER	2
16	112809	SHIELD/ASSY RT	1	48	081087	KEEPER/LATCH	2
17	118159	SHIELD LH	1	49	125267	KEEPER/RUBBER LATCH	2
21	125473	TAILGATE/ASSY (QW1400)	1	50	079187	RIVET/BLIND(QW1400)	30
	125673	TAILGATE ASSY (QW1800)	1			RIVET/BLIND(QW1800)	34
22	126212	SHIELD/ASSY FRONT (QW1400)	1	52	650491	CS 3/8X1-1/4	8
	125669	SHIELD ASSY/FRONT (QW1800)	1	53	650618	HWHTC 5/16X5/8	3
24	126214	SHIELD/TOP (QW1400)	1	61	117988	PIVOT/NET ROLL RH	1
	125672	SHIELD/TOP (QW1800)	1	62	117989	PIVOT/NET ROLL LH	1
25	125488	HINGE/TAILGATE	2	63	650573	CB 5/16X1	4
26	650490	CS 3/8X1	4	66	048967	CLAMP/HOSE	2
28	650687	CB 5/16X3/4	4	67	059075	CLAMP/HOSE	1
29	650584	FW #10 (QW1400)	7				
		FW #10 (QW1800)	9				

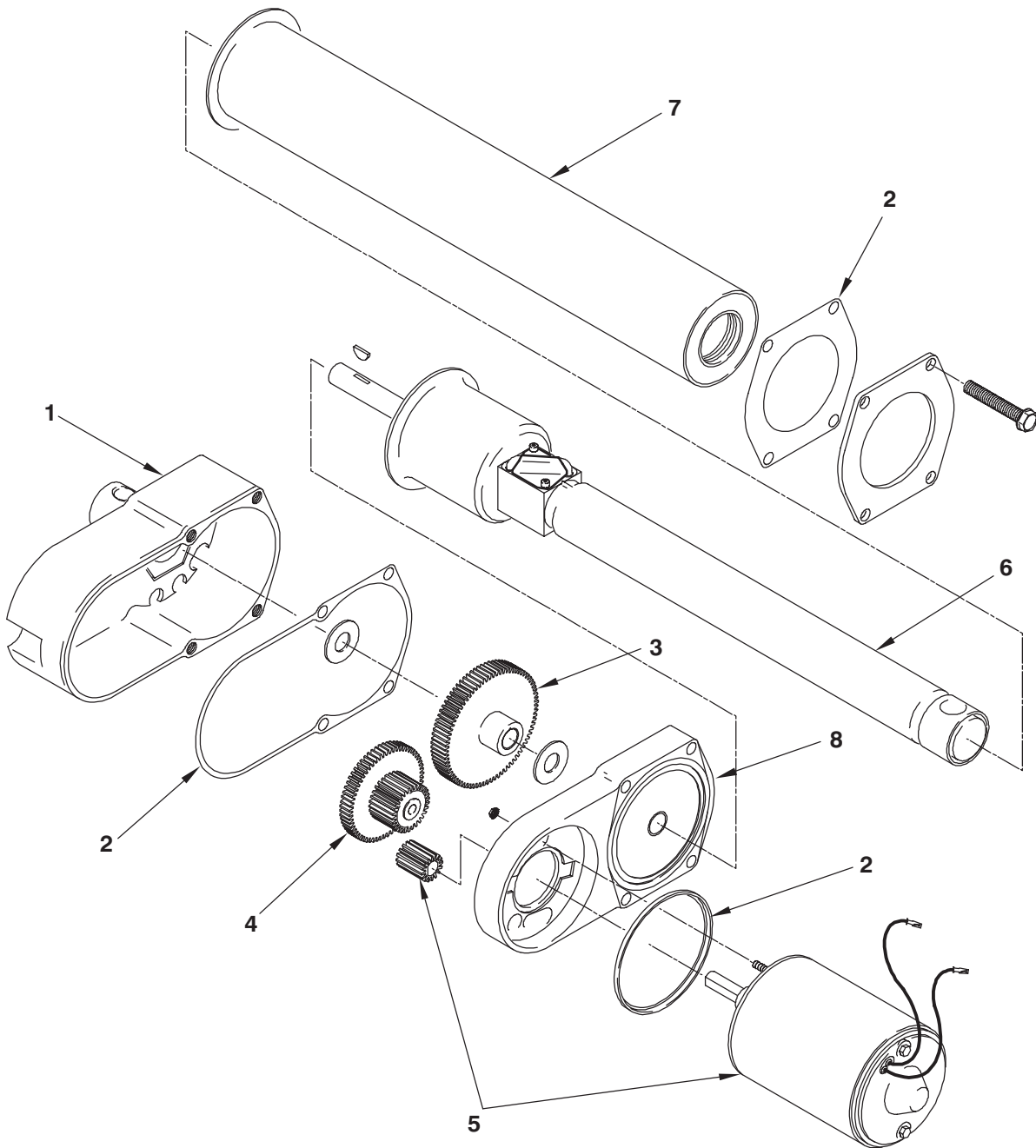


QW1400/1800 - SHIELDS, CONTROL BOX & HARNESS

Ref. No.	Part No.	Description	Qty. Req.	Ref. No.	Part No.	Description	Qty. Req.
01	046677	HINGE	4	32	650949	THMS5/16X3/4	16
03	055648	TIE/WIRE	4	34	653007	HN 5/16	24
05	061062	CLAMP/WIRE	4	35	654004	FW 5/16	14
07	125947	GROMMET	1	36	654006	FW 3/8	12
10	112837	PANEL/ACCESS(QW1400)	1	38	654024	LW 5/16	24
	112854	PANEL/ACCESS(QW1800)	1	39	654026	LW 3/8	12
11	117026	PIPE (QW1400)	1	41	655001	CP 1/16X3/4	4
	125647	PIPE/PVC (QW1800)	1	45	080648	LATCH/RUBBER	2
14	125145	HARNESS/WIRING QUICK WRAP	1	47	125266	LATCH/RUBBER	2
16	112809	SHIELD/ASSY RT	1	48	081087	KEEPER/LATCH	2
17	118159	SHIELD LH	1	49	125267	KEEPER/RUBBER LATCH	2
21	125473	TAILGATE/ASSY (QW1400)	1	50	079187	RIVET/BLIND(QW1400)	30
	125673	TAILGATE ASSY (QW1800)	1			RIVET/BLIND(QW1800)	34
22	126212	SHIELD/ASSY FRONT (QW1400)	1	52	650491	CS 3/8X1-1/4	8
	125669	SHIELD ASSY/Front (QW1800)	1	53	650618	HWHTC 5/16X5/8	3
24	126214	SHIELD/TOP (QW1400)	1	61	117988	PIVOT/NET ROLL RH	1
	125672	SHIELD/TOP (QW1800)	1	62	117989	PIVOT/NET ROLL LH	1
25	125488	HINGE/TAILGATE	2	63	650573	CB 5/16X1	4
26	650490	CS 3/8X1	4	66	048967	CLAMP/HOSE	2
28	650687	CB 5/16X3/4	4	67	059075	CLAMP/HOSE	1
29	650584	FW #10 (QW1400)	7				
		FW #10 (QW1800)	9				

QW1400/1800 - COMPONENTS, ACTUATOR

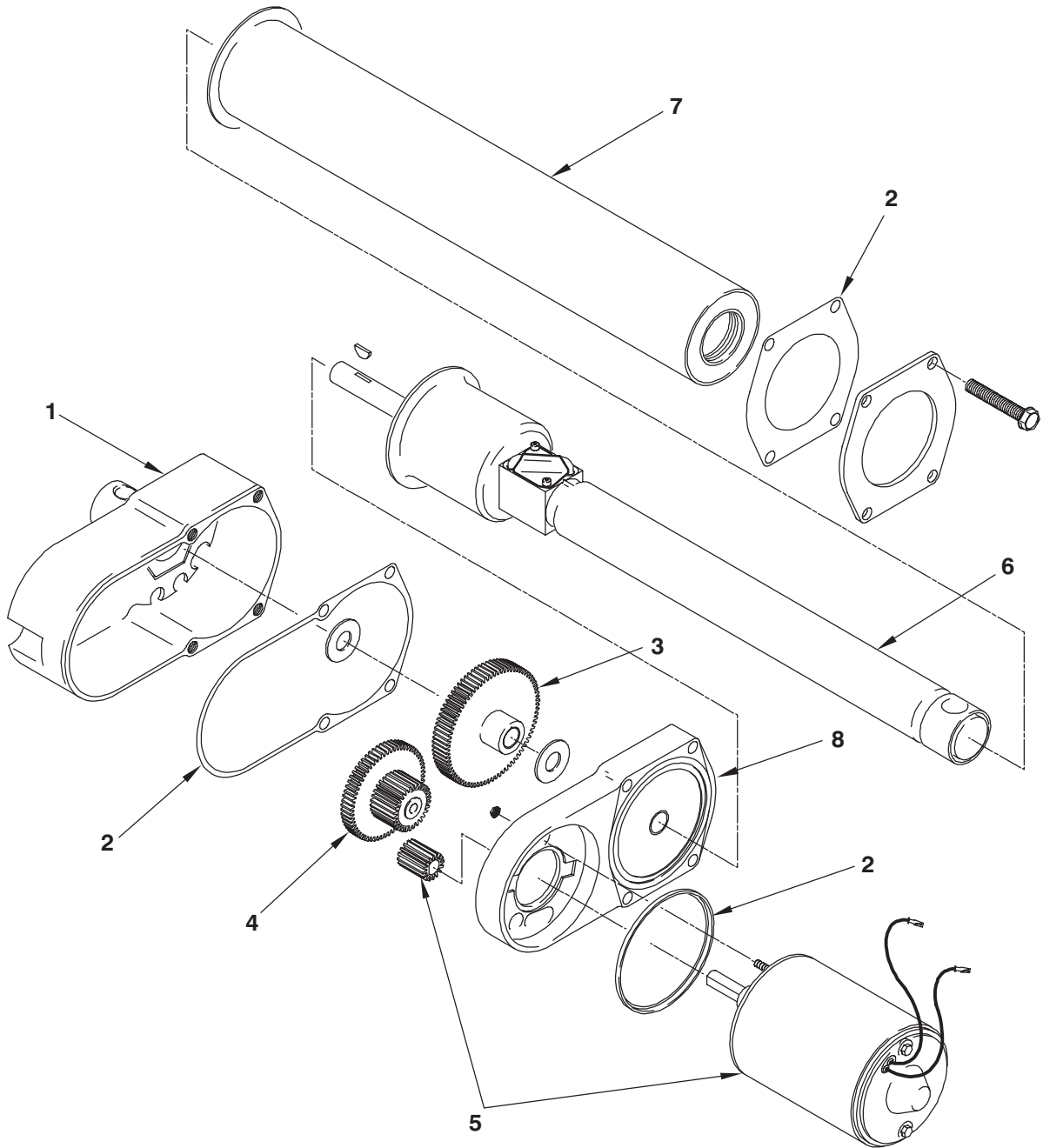
126236 Actuator



Ref. No.	Part No.	Description	Qty. Req.	Ref. No.	Part No.	Description	Qty. Req.
	126236	ACTUATOR	1	04	077095	GEAR/INTERMEDIATE	1
		CONSISTS OF		05	089958	MOTOR (INCL PINION)	1
01	077098	HOUSING/REAR	1	06	126248	SCREW & BRAKE ASSY	1
02	077097	KIT/SEAL	1	07	089957	TUBE/COVER	1
03	089956	GEAR/DRIVEN	1	08	089955	HOUSING/FRONT	1

QW1400/1800 - COMPONENTS, ACTUATOR

126215 Actuator



Ref. No.	Part No.	Description	Qty. Req.	Ref. No.	Part No.	Description	Qty. Req.
	126215	ACTUATOR	1	05	089958	MOTOR (INCL PINION)	1
		CONSISTS OF		06	126221 _a	SCREW & BRAKE ASSY	1
01	077098	HOUSING/REAR	1	07	089957	TUBE/COVER	1
02	077097	KIT/SEAL	1	08	089955	HOUSING/FRONT	1
03	089956	GEAR/DRIVEN	1				
04	077095	GEAR/INTERMEDIATE	1				

a) For replacement order 126248 Screw & Brake Assembly.

QW1400/1800 - NUMERICAL INDEX

Part No.	Page No.	Ref. No.	Part No.	Page No.	Ref. No.	Part No.	Page No.	Ref. No.	Part No.	Page No.	Ref. No.
3E136	05	36	072186	09	76	111303	05	10	113376	07	23
6H154	07	68	072918	07	94	111323	05	11	113376	09	23
6H154	09	68	072918	09	94	111324	07	21	113378	07	14
H6077	07	102	076090	07	33	111324	09	21	113378	09	14
H6077	09	102	076090	09	33	111330	07	18	113379	07	14
B11335	07	10	076161	07	22	111330	09	18	113379	09	14
B11335	09	10	076161	09	22	112586	07	107	113384	07	26
B11108B	07	79	076846	07	35	112586	09	107	113384	09	26
B11108B	09	79	076846	09	35	112592	07	16	113385	07	20
040775	07	73	077095	15	04	112592	09	16	113385	09	20
040775	09	73	077095	16	04	112599	07	31	113390	07	07
046677	11	01	077097	15	02	112599	09	31	113390	09	07
046677	13	01	077097	16	02	112809	11	16	113392	07	07
048028	07	74	077098	15	01	112809	13	16	113392	09	07
048028	09	74	077098	16	01	112813	07	57	113396	07	06
048995	05	02	079187	11	50	112813	09	57	113396	09	06
051904	07	87	079187	13	50	112831	07	88	113399	07	06
051904	09	87	080648	11	45	112831	09	88	113399	09	06
055648	11	03	080648	13	45	112832	07	85	117026	11	11
055648	13	03	081017	07	86	112832	09	85	117026	13	11
056227	07	93	081017	09	86	112837	11	10	117955	07	109
056227	09	93	081087	11	48	112837	13	10	117955	09	109
057557	07	104	081087	13	48	112854	11	10	117988	11	61
057557	09	104	084628	05	05	112854	13	10	117988	13	61
057864	07	62	084630	05	06	112959	05	32	117989	11	62
057864	09	62	089955	15	08	112961	05	34	117989	13	62
058138	05	03	089955	16	08	112966	05	34	118159	11	17
061062	11	05	089956	15	03	112969	05	32	118159	13	17
061062	13	05	089956	16	03	112979	05	32	118162	07	13
061858	07	99	089957	15	07	112979	07	71	118162	09	13
061858	09	99	089957	16	07	112979	09	71	118163	07	13
063592	11	06	089958	15	05	112980	07	69	118163	09	13
063592	13	06	089958	16	05	112980	09	69	118484	07	01
066770	07	30	091716	16	05	112982	07	70	118484	09	01
066770	09	30	091716	07	84	112982	09	70	118485	09	01
066770	09	30	091716	09	84	112982	07	72	118485	07	02
067847	07	19	094104	05	07	112985	09	72	118485	09	02
067847	09	19	099134	07	15	112985	07	72	118517	07	112
067847	09	19	099134	07	15	112988	07	34	118517	09	112
068034	07	113	099134	09	15	112988	09	34	118517	09	112
068034	09	113	099153	07	17	112988	09	34	118569	05	15
068542	07	114	099153	07	17	112992	07	100	118569	05	15
068542	09	114	099153	09	17	112992	09	100	118660	07	89
068542	09	114	099190	07	09	112992	09	100	121002	07	89
070764	07	97	099190	07	09	112993	07	34	121002	09	89
070764	09	97	099190	09	09	112993	09	34	124197	05	13
070764	09	97	099197	07	08	112993	09	34	124197	05	13
071700	07	96	099197	09	08	113140	07	82	124680	07	106
071700	09	96	099197	09	08	113140	09	82	124680	09	106
071700	09	96	099198	07	03	113140	07	82	124680	07	106
071700	09	96	099198	07	03	113154	05	37	124751	05	16
072186	07	76	099198	09	03	113154	05	37	124751	05	16
072186	07	76	099198	09	03	113158	05	38	125120	14	01

QW1400/1800 - NUMERICAL INDEX






Part No.	Page No.	Ref. No.	Part No.	Page No.	Ref. No.	Part No.	Page No.	Ref. No.	Part No.	Page No.	Ref. No.
125124	07	25	126212	13	22	650495	05	21	653007	11	34
125124	09	25	126214	11	24	650495	07	55	653007	13	34
125145	11	14	126214	13	24	650495	09	55	653010	05	25
125145	13	14	126215	16		650502	07	98	653010	07	43
125249	07	108	126221	16	06	650502	09	98	653010	09	43
125249	09	108	126236	07	105	650533	07	83	653018	05	26
125266	11	47	126236	09	105	650533	09	83	653018	07	56
125266	13	47	126236	15		650546	07	90	653018	09	56
125267	11	49	126248	15	06	650546	09	90	654002	07	81
125267	13	49	127133	07	77	650573	05	22	654002	09	81
125473	11	21	127133	09	77	650573	07	103	654004	07	60
125473	13	21	130451	11	43	650573	09	103	654004	09	60
125488	11	25	130451	13	43	650573	11	63	654004	11	35
125488	13	25	520063	07	11	650573	13	63	654004	13	35
125634	07	03	520063	09	11	650584	11	29	654006	05	27
125634	09	03	520084	07	12	650584	13	29	654006	07	64
125637	05	13	520084	09	12	650618	11	53	654006	09	64
125638	05	11	650195	07	65	650618	13	53	654006	11	36
125639	05	10	650195	09	65	650644	05	35	654006	13	36
125644	05	05	650197	05	18	650687	07	52	654009	05	28
125646	07	08	650199	07	111	650687	09	52	654009	07	59
125646	09	08	650199	09	111	650687	11	28	654009	09	59
125647	11	11	650213	07	91	650687	13	28	654009	14	03
125647	13	11	650213	09	91	650704	05	33	654024	05	29
125664	05	16	650484	07	54	650704	07	63	654024	07	47
125669	11	22	650484	09	54	650704	09	63	654024	09	47
125669	13	22	650486	07	80	650786	05	23	654024	11	38
125672	11	24	650486	09	80	650810	07	46	654024	13	38
125672	13	24	650487	07	45	650810	09	46	654026	05	30
125673	11	21	650487	09	45	650835	07	95	654026	07	44
125673	13	21	650488	07	61	650835	09	95	654026	09	44
125905	07	106	650488	07	75	650878	07	110	654026	11	39
125905	09	106	650488	09	61	650878	09	110	654026	13	39
125918	14	02	650488	09	75	650949	11	32	654030	05	31
125926	07	05	650490	05	19	650949	13	32	654030	07	58
125926	09	05	650490	07	41	650985	07	92	654030	09	58
125947	11	07	650490	09	41	650985	09	92	655001	11	41
125947	13	07	650490	11	26	651159	07	78	655001	13	41
125950	07	05	650490	13	26	651159	09	78	180-17243	07	32
125950	09	05	650491	11	52	653007	05	24	180-17243	09	32
126211	11	43	650491	13	52	653007	07	49	400-32443	07	38
126211	13	43	650494	07	115	653007	09	49	400-32443	09	38
126212	11	22	650494	09	115						

Notes

TORQUE SPECIFICATIONS

NOTE: Use these torque values when tightening **GEHL** hardware (excluding: Locknuts and Self-tapping, Thread Forming and Sheet Metal Screws) unless specified otherwise.

All torque values are in Lb-Ft except those marked with an * which are Lb-In
(For metric torque value Nm, multiply Lb-Ft value by 1.355 or Lb-In value by 0.113)

Unified National Thread	Grade 2 		Grade 5 		Grade 8 	
	Dry	Lubed	Dry	Lubed	Dry	Lubed
8-32	19*	14*	30*	22*	41*	31*
8-36	20*	15*	31*	23*	43*	32*
10-24	27*	21*	43*	32*	60*	45*
10-32	31*	23*	49*	36*	68*	51*
1/4-20	66*	50*	9	75*	12	9
1/4-28	76*	56*	10	86*	14	10
5/16-18	11	9	17	13	25	18
5/16-24	12		19	14		20
3/8-16	20	15	30	23	45	35
3/8-24	23	17	35	25	50	
7/16-14	32	24	50	35	70	55
7/16-20	36	27	55	40	80	60
1/2-13	50	35	75	55	110	80
1/2-20	55	40	90	65	120	90
9/16-12	70	55	110	80	150	110
9/16-18	80	60	120	90	170	130
5/8-11	100	75	150	110	220	170
5/8-18	110	85	180	130	240	180
3/4-10	175	130	260	200	380	280
3/4-16	200	150	300	220	420	320
7/8-9	170	125	430	320	600	460
7/8-14	180	140	470	360	660	500
1-8	250	190	640	480	900	680
1-14	270	210	710	530	1000	740
Metric Course Thread	Grade 8.8 		Grade 10.9 		Grade 12.9 	
	Dry	Lubed	Dry	Lubed	Dry	Lubed
M6-1	8	6	11	8	13.5	10
M8-1.25	19	14	27	20	32.5	24
M10-1.5	37.5	28	53	39	64	47
M12-1.75	65	48	91.5	67.5	111.5	82
M14-2	103.5	76.5	145.5	108	176.5	131
M16-2	158.5	117.5	223.5	165.5	271	200

GEHL®

Gehl Company 143 Water Street, P.O. Box 179, West Bend, WI 53095-0179