

1162/1165

Disc Mower

Form No.
909794
Revision C



PARTS MANUAL

GEHL® AGRICULTURE

Introduction

When ordering service parts, specify the correct part number, full description, quantity required, the unit model number and serial number.

The disc mower model and serial numbers are on a plate located on the left side of the main frame near the drawbar anchor point. "Right" and "left" are determined from a position standing behind the disc mower. From this position the 3-point hitch is on the left.

GEHL Company reserves the right to make changes or improvements in the design or construction of any part of the unit without incurring the obligation to install such changes on any previously delivered units.

Refer to the abbreviations table located on this page for the various fastener descriptions. Standard attaching hardware torque values are also provided on the inside back cover.

In the exploded view parts list, reference numbers may have additional information following the part number. A tear drop symbol indicates an application of a "wet" product such as oil, and the number inside the tear drop corresponds to the description in the parts list.

A number inside a hexagon is the torque value required, in foot-pounds, on the associated reference number. Items shown in the parts list that do not have reference numbers are shown for reference purposes only and are NOT available for purchase.

Unless otherwise specified, all cap screws or bolts are Grade 5, cadmium or zinc plated; hexagon nuts for Grade 5 screws or bolts are Grade B; hexagon nuts for other screws or bolts are Grade A.

NOTE: *The following abbreviations may be used herein:*

AR	- As Required
ASSD	- Assembled
ASSY	- Assembly
CB	- Carriage Bolt
CCW	- Counter-clockwise
CP	- Cotter Pin
CS	- Cap Screw (Hexagon Head)
CTR	- Center
CW	- Clockwise
DEG	- Degree
DIA	- Diameter
FCS	- Flanged Cap Screw
FHMS	- Flat Head Machine Screw
FL	- Flanged
FLN	- Flanged Lock Nut (Hexagon)
FLS	- Flanged Lock Screw (Hexagon)
FW	- Flat Washer
GA	- Gauge
GR	- Grade
HD	- Hard or Head
HN	- Hex Nut
INCL	- Includes
JT	- Joint
LG	- Large
LH	- Left Hand
LN	- Lock Nut
LW	- Lock Washer
M	- Metric
MM/mm	- Millimeter
NF	- National Fine
NS	- Not Serviced
PB	- Plow Bolt
PTO	- Power Take-Off
RH	- Right Hand
RHMS	- Round Head Machine Screw
RPM	- Revolutions Per Minute
RT	- Right
SERR	- Serrated
SHCS	- Socket Head Cap Screw
SHSS	- Socket Head Set Screw
SN	- Serial Number or Slotted Nut
SQ	- Square
T	- Tooth or Teeth
TFS	- Thread Forming Screw
THMS	- Truss Head Machine Screw
THRD	- Thread
WLDMT	- Weldment
#	- Number
	- Torque required in foot-pounds
	- Indicates a fluid application

TABLE OF CONTENTS

Introduction	Inside Front Cover
Table of Contents	1
Decal Locations	2-3
3-Point Frame	4
Main Frame	5
Lift System	6-7
Belt Drive & Input Shaft	8
Angle Gearbox	9
Cutterbar Gears (1162)	10
Cutterbar Gears (1165)	11
Cutterbar Shoes, Guards & Wear Plates	12
Cutterbar Discs	13
Cutterbar Hardware	14
Protective Cover & Frame	15
Outer Swath Wheel & Inner Swath Board	16
PTO	17
Numerical Index	18-19
Notes	20
Standard Hardware Torque specifications	Inside Back Cover

DECAL LOCATIONS

GENERAL INFORMATION

Decal locations information is provided to assist in the proper selection and application of new decals, in the event the original decals become damaged or the machine is repainted. Refer to the listing for the illustration reference number, part number, description and quantity of each decal provided in the kit. Refer to the appropriate illustrations for replacement locations.

To ensure proper selection of the correct replacement decals, compare all of the various closeup location photographs to your machine, before starting to refinish the unit. Then circle each pictured decal (on or otherwise applicable to your machine) while checking off its part number in the listing. After you have verified all the decals needed for replacement, place any extra unnecessary decals aside for disposal.

NEW DECAL APPLICATION

Surfaces **MUST** be free from dirt, dust, grease and other foreign material before applying the new decal. To apply, remove the smaller portion of the decal backing paper and apply this part of the exposed adhesive backing to the clean surface while maintaining proper position and alignment. Peel the other portion of the backing paper off slowly while applying hand pressure to smooth out decal surface.

PAINT NOTICE

906316	6 (12 oz. Spray Cans) AG Red Paint
906315	One Gal. AG Red

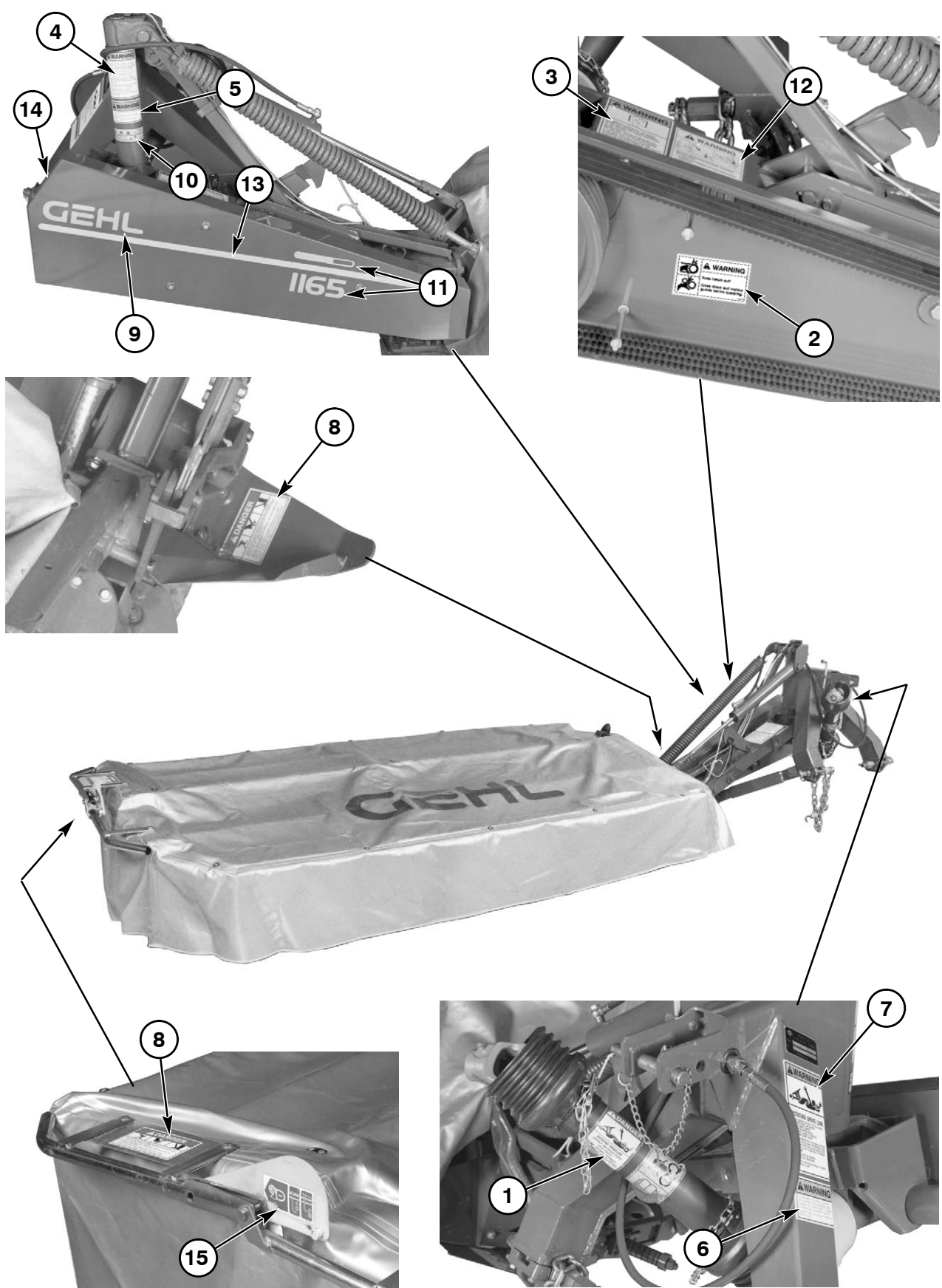


CAUTION

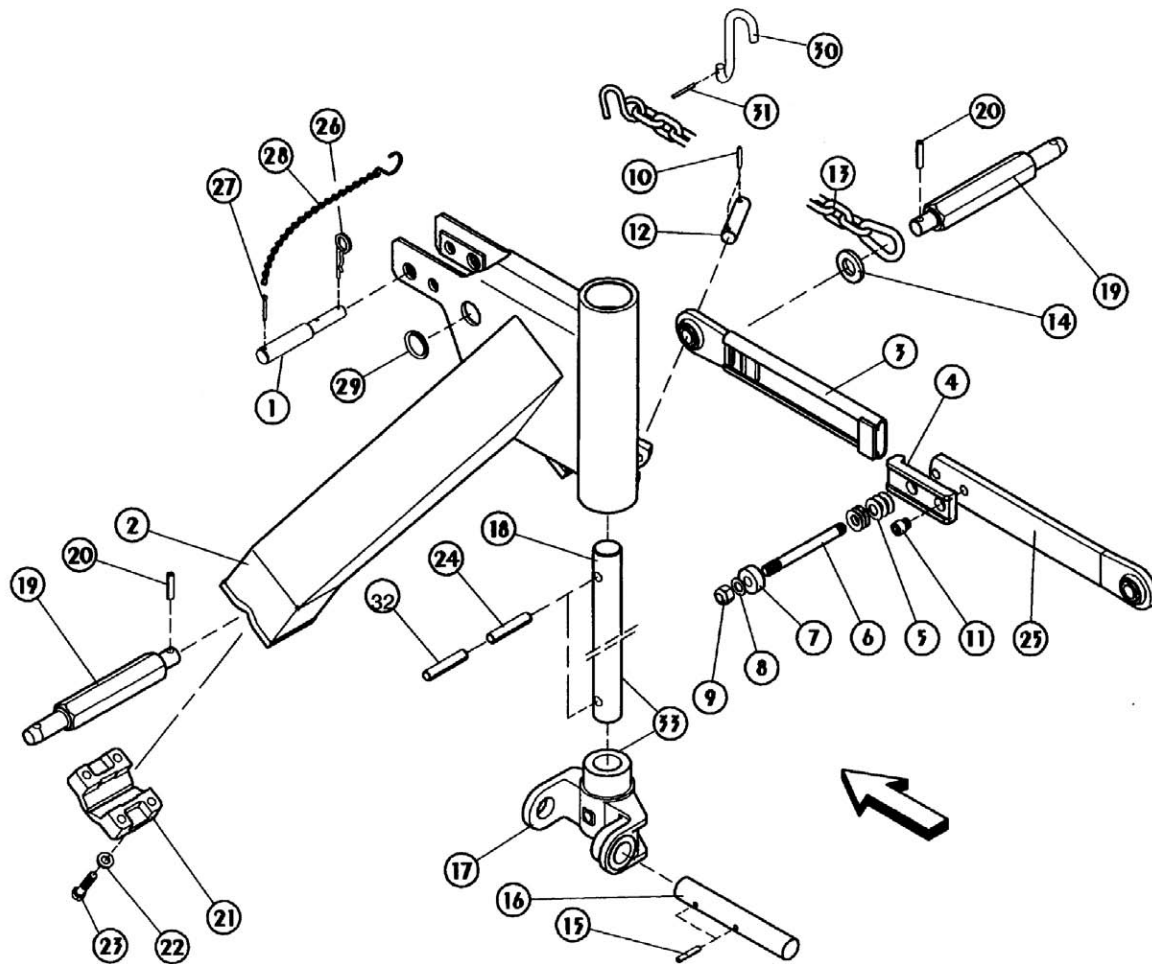
ALWAYS observe safety rules shown on decals. If decals become damaged, or if the unit is repainted, replace the decals. If repainting, BE SURE that ALL decals from the kit(s) that apply to the machine are affixed to the unit.

The decal set number is 153177 for the DM1162 and 142473 for the DM1165. The sets include the following:

Ref. No.	Part Number	Description & Quantity
1	091444	DANGER - Rotating Drive Line
2	163957	WARNING - Hands Out
3	093367	WARNING - Manual
4	093373	WARNING - General
5	093381	WARNING - Lock Pin
6	093466	WARNING - 540 RPM
7	093653	WARNING - Rotating Drive Line
8	125476	DANGER - Rotating Knives (2 places)
9	126345	Decal - GEHL
10	126354	Decal - Proper Knives
11	144017	Decal - 1162 & Colorbar
	142364	Decal - 1165 & Colorbar
12	142375	WARNING - Parking Mower
13	142376	Decal - Stripe
14	153180	Decal - Belt Tension
15	153179	Decal - Curtain Lock

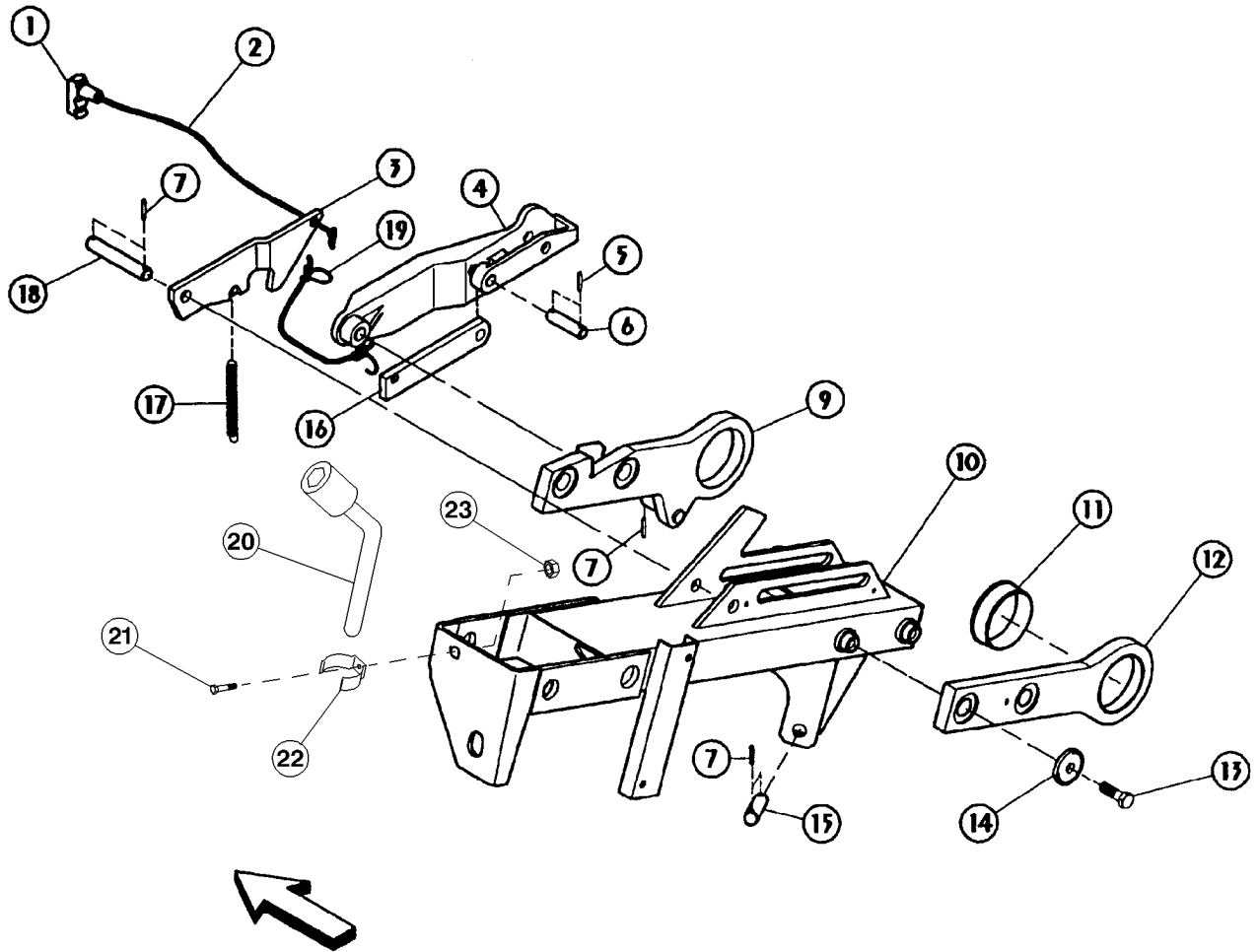


DM1162, 1165 - 3-POINT FRAME



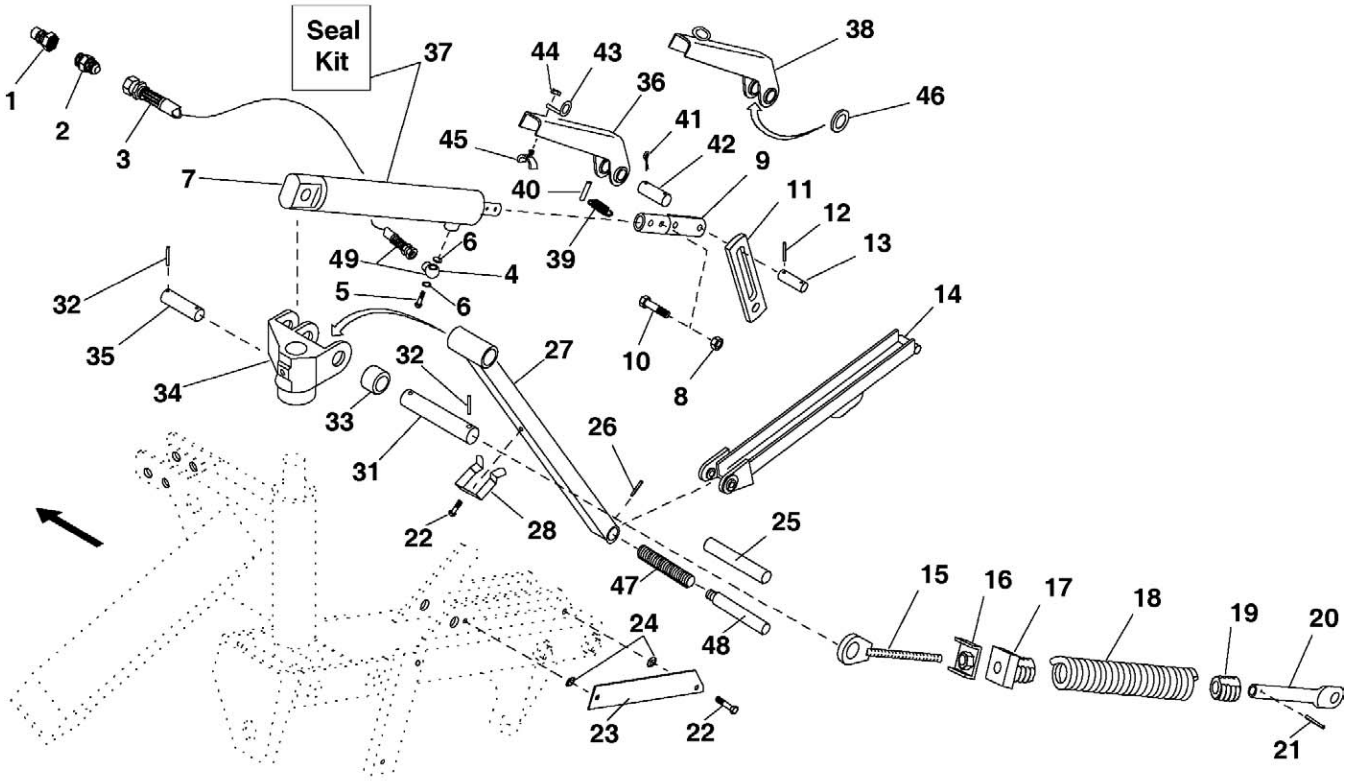
Ref. No.	Part No.	Description	Qty. Req.	Ref. No.	Part No.	Description	Qty. Req.
01	613693	TOP LINK PIN	1	18	142527	PIN	1
		(INCLUDES 26, 27 & 28)				(BEFORE 8501-DM1162 & 9001-DM1165)	
02	142518	THREE-POINT FRAME	1	172217	PIN	1	
03	142519	BREAK-AWAY SLIDE	1			(AFTER 8500-DM1162 & 9000-DM1165)	
04	613756	BREAK-AWAY PAWL	1	19	142528	LOWER LINK PIN CAT. 2	2
05	613879	DISC SPRING	41	20	610452	ROLL PIN 10 X 45 MM	2
06	613757	STUD	1	21	142530	BRIDLE	2
07	613758	WASHER	1	22	113278	CONICAL SPRING WASHER	8
08	613873	PLAIN WASHER	2	23	142532	HEXAGON SCREW M12 X 55	8
09	613867	LN	1	24	142533	ROLL PIN 16 X 80 MM	2
10	610465	ROLL PIN 6 X 36	2	25	142534	BREAK-AWAY TONGUE	1
11	613688	SPECIAL SCREW	1	26	613894	SPRING COTTER PIN	1
12	142521	PIN	1	27	142535	SPLIT PIN 5 X 40 MM	1
13	142522	SUPPORT CHAIN	1	28	142536	CHAIN	1
14	142523	PLAIN WASHER 25.5 X 50 X 7 MM	1	29	142537	GROMMET/RUBBER	1
15	610453	ROLL PIN 10 X 50 MM	2	30	613704	CHAIN HOOK	1
16	142525	PIN	1	31	613884	ROLL PIN	1
17	142526	YOKE	1	32	142708	ROLL PIN	2
		(BEFORE 8501-DM1162 & 9001-DM1165)		33	172219 ^a	KIT/YOKE & PIN	1
172218		YOKE	1				
		(AFTER 8500-DM1162 & 9000-DM1165)					

a) Consists of 172217 & 172218.



Ref. No.	Part No.	Description	Qty. Req.	Ref. No.	Part No.	Description	Qty. Req.
01	142558	HANDLE	1	13	142547	SELF-LOCKING SCREW	4
02	142557	NYLON ROPE 6 MM X 300 CM	1	14	142548	WASHER	4
03	142543	PAWL	1	15	142521	PIN	1
04	142550	LEVER	1	16	142551	STOP	1
05	610463	PIN/SPRING (6 X 30)	2	17	142544	EXTENSION SPRING	1
06	142719	PIN	1	18	142541	PIN	1
07	610465	PIN/SPRING (6 X 36)	5	19	152204	NYLON CORD WITH HOOKS	1
09	142549	HINGE PLATE	1	20	142667	BOX SPANER 18MM	1
10	142556	FRAME/MAIN	1	21	142665	SELF-LOCKING SCREW M8X20	1
11	142545	NYLON BUSHING	2	22	142666	SPRING CLIP	1
12	142546	HINGE PLATE	1	23	142668	SELF-LOCKING NUT	1

DM1162, 1165 - LIFT SYSTEM



DM1162, 1165 - LIFT SYSTEM

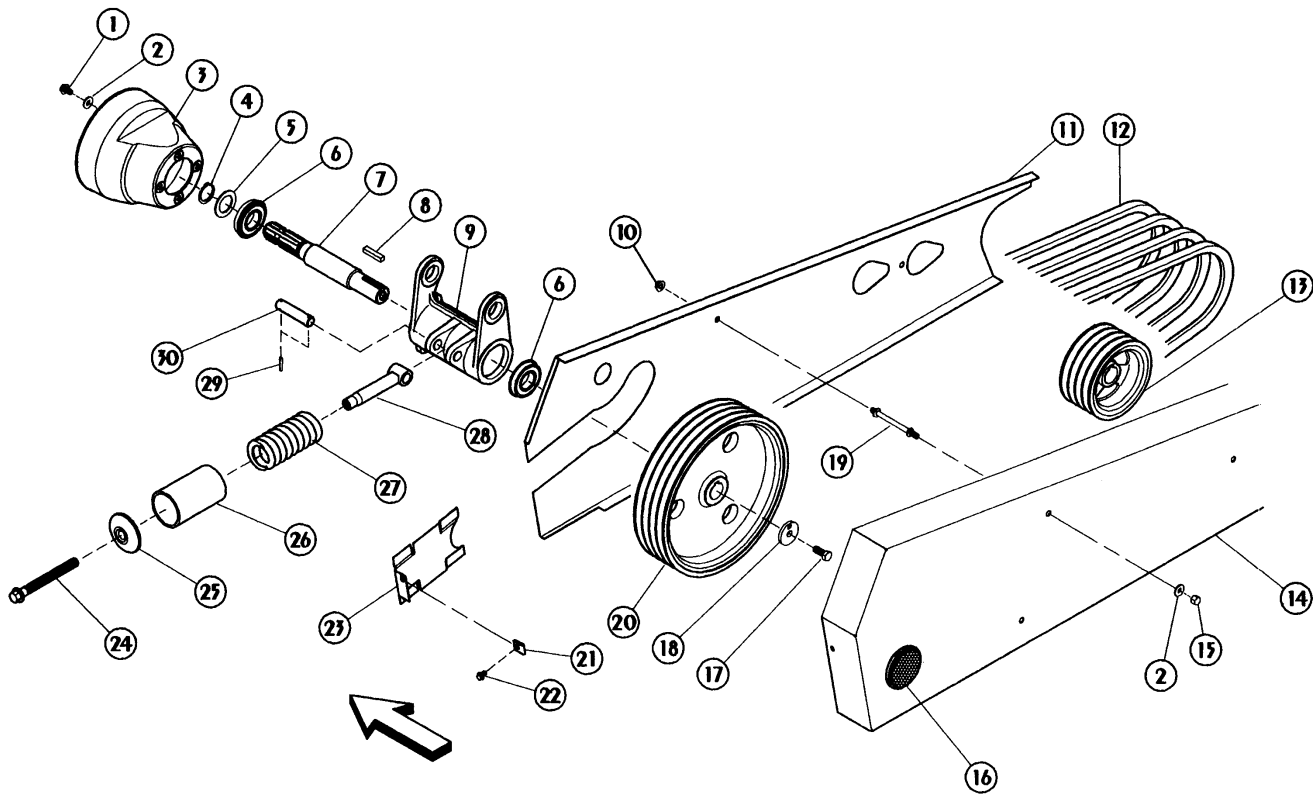
Ref. No.	Part No.	Description	Qty. Req.	Ref. No.	Part No.	Description	Qty. Req.
01	142583	MALE CONNECTOR (AFTER 8824-DM1162 & 10224-DM1165)	1	25	170946 _b	KIT/PIN (AFTER 7416-DM1162 & 9242-DM1165)	1
	056080	QUICK DISCONNECT/MALE (BEFORE 8825-DM1162 & 10225-DM1165) . . .	1	26	142563	ROLL PIN 6 MM X 40	1
02	174986	ADAPTER (AFTER 8824-DM1162 & 10224-DM1165)	1	27	142582	SUSPENSION TUBE	1
	613921	ADAPTER (BEFORE 8825-DM1162 & 10225-DM1165) . . .	1	28	142564	SPRING FLAT	1
03	172221	HYDRAULIC HOSE (AFTER 8500-DM1162 & 9000-DM1165)	1	31	142568	PIN	1
	613708	HOSE (BEFORE 8501-DM1162 & 9001-DM1165)	1	32	613887	ROLL PIN	4
04	172220	BANJO	1	33	142576	SPACER	1
05	613709	BANJO BOLT	1	34	142559	UPPER FRAME CASTING	1
06	613917	SEALING RING	2	35	142575	PIN	1
07	142560	HYDRAULIC CYLINDER	1	36	144842	PAWL (NEW STYLE)	1
08	613857	LN	2	37	142587	SEAL KIT	1
09	142573	ATTACHING BRACKET	1	38	159754 _a	PAWL (OLD STYLE)	1
10	142572	HEXAGON SCREW	2	39	152206	SPRING	1
11	142571	CONNECTING ROD	1	40	656072	CP M5X30	1
12	610463	ROLL PIN 6 X 30 MM	2	41	152207	ROLL PIN 5MM X 30MM	2
13	142719	PIN	1	42	152208	PIN	1
14	142577	PAWL	1	43	144844	GUIDE/ROPE	1
15	142574	LIFT-ROD	1	44	142668	SELF-LOCKING NUT	1
16	142570	SPECIAL NUT	1	45	144843	BUMPER/RUBBER	1
17	142569	SPECIAL NUT	1	46	159593	WASHER	1
18	142567	SUSPENSION SPRING	1	47	156913	SPRING	1
19	142566	SPECIAL NUT	1			(AFTER 7416-DM1162 & 9242-DM1165)	1
20	142565	GUIDE	1	48	156914	PIN	1
21	613889	ROLL PIN	1	49	172222 _c	KIT/HOSE & BANJO	1
22	142665	SELF-LOCKING SCREW M8X20	3				
23	142579	GUARD	1				
24	142581	PLAIN WASHER	4				

a) Consists of 144842, 144843, 144844 & 142668.

b) Consists of 156913 and 156914.

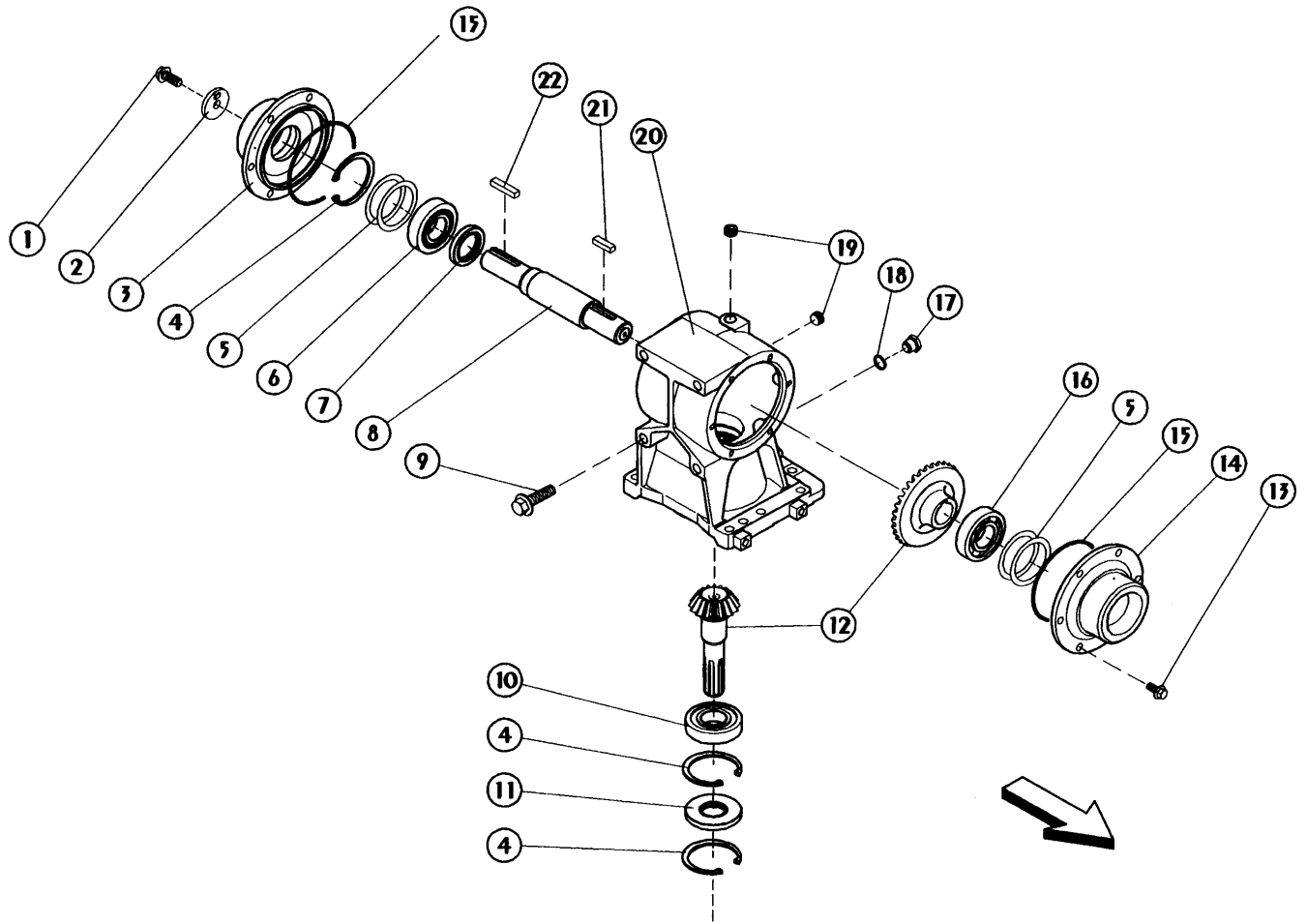
c) Consists of 172220 and 172221.

DM1162, 1165 - BELT DRIVE & INPUT SHAFT



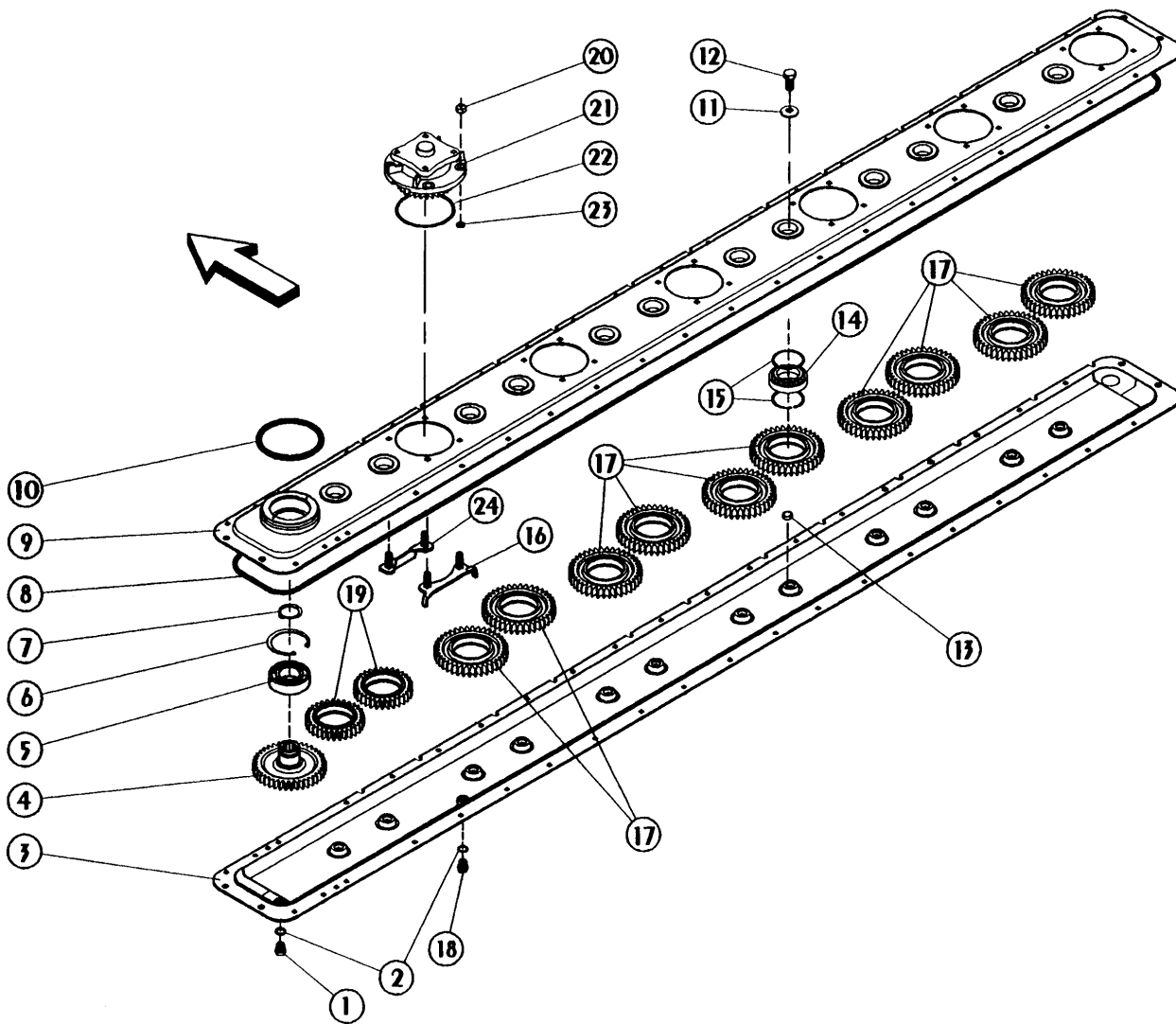
Ref. No.	Part No.	Description	Qty. Req.	Ref. No.	Part No.	Description	Qty. Req.
01	613847	UNDERSERRATED LS	2	17	613690	SELF-LOCKING SCREW	1
02	613871	PLAIN WASHER	5	18	613723	LOCK WASHER	1
03	142594	GUARD CONE	1	19	613822	SPACER BOLT	3
04	613896	RETAINING RING 35 MM	1	20	613818	PULLEY	1
05	613874	PLAIN WASHER	1	21	613856	CLAMP NUT	1
06	613904	BALL BEARING	2	22	613845	UNDERSERRATED LS	1
07	142588	DRIVE SHAFT	1	23	142590	GUARD	1
08	613692	PARALLEL KEY	1	24	142595	SPECIAL SCREW	1
09	142589	BEARING HOUSING	1	25	142596	SPECIAL WASHER	1
10	613860	UNDERSERRATED LN	2	26	142597	SUSPENSION TUBE	1
11	142591	BELT GUARD	1	27	142598	PRESSURE SPRING	1
12	142593	SET OF 4 V-BELTS	1	28	142599	TENSIONER	1
13	613819	PULLEY	1	29	610463	ROLL PIN 6 X 30 MM	2
14	142592	REAR BELT GUARD	1	30	142601	PIN	1
15	613862	CAP NUT	3				
16	158358	REFLECTOR/60MM	1				
		(AFTER 7809-DM1162 & 9739-DM1165)					
	613925	REFLECTOR RED 80	1				
		(BEFORE 7810-DM1162 & 9740-DM1165)					

DM1162, 1165 - ANGLE GEARBOX



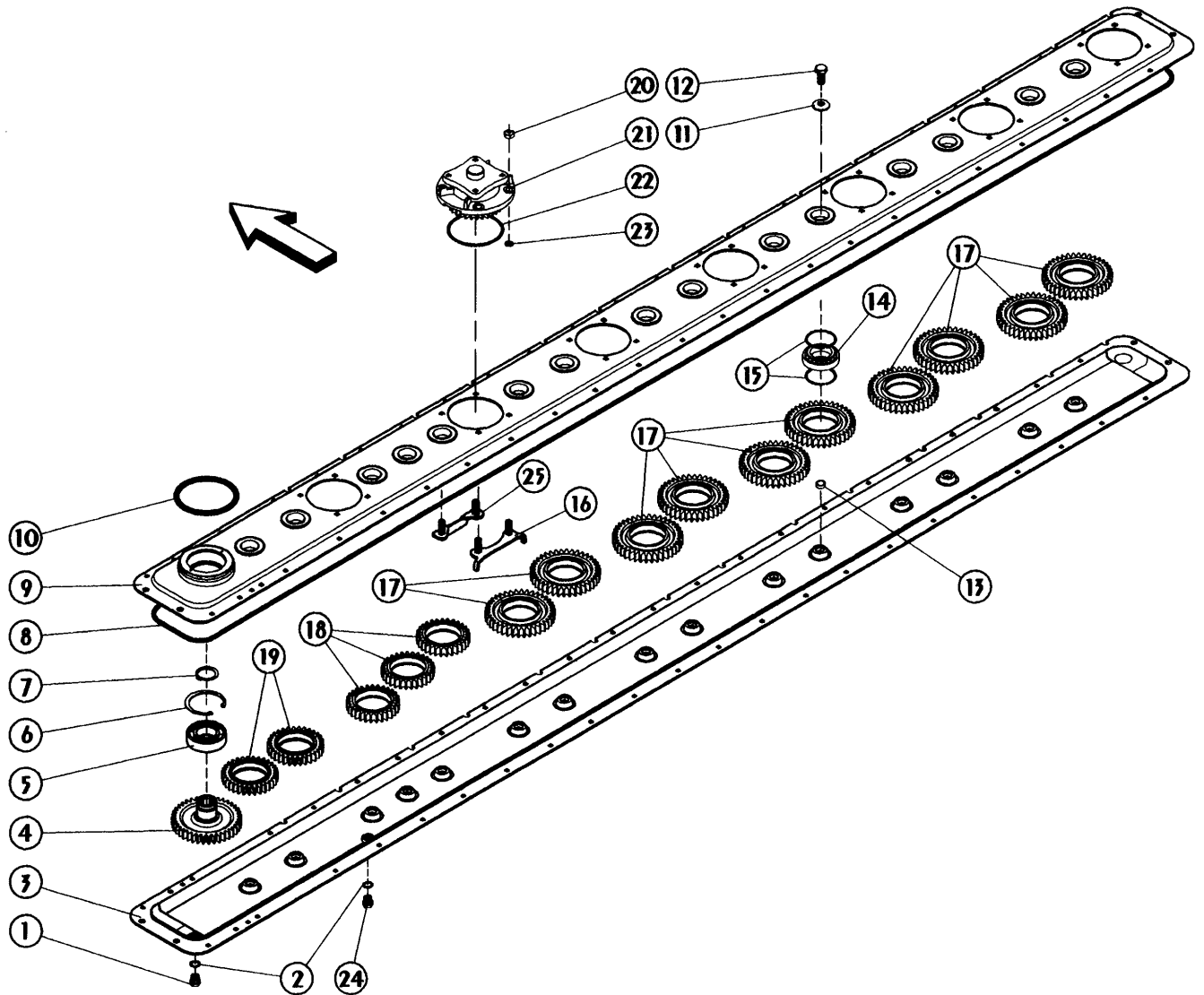
Ref. No.	Part No.	Description	Qty. Req.	Ref. No.	Part No.	Description	Qty. Req.
00	142609	GEARBOX COMPLETE	1	11	613910	OIL SEAL	1
		CONSISTS OF		12	613745	GEAR WHEEL AND PINION SET	1
01	613690	SELF-LOCKING SCREW	1	13	613689	SELF-LOCKING SCREW	12
02	613723	LOCK WASHER	1	14	142608	FRONT COVER	1
03	142602	REAR COVER	1	15	613914	O-RING 130-3	2
04	613899	RETAINING RING	3	16	613905	BALL BEARING	1
05	613877	SHIM RING/0.1 MM	AR	17	613738	PRESSURE RELIEF VALVE	1
	613878	SHIM RING/0.3 MM	AR	18	613918	SEALING RING	1
06	142603	BALL BEARING	1	19	613919	PLUG/OIL	2
07	142604	OIL SEAL 42 X 62 MM	1	20	142607	GEAR HOUSING	1
08	142605	PRIMARY SHAFT	1	21	613721	PARALLEL KEY	1
09	142606	SELF-LOCKING SCREW	4	22	613692	PARALLEL KEY B	1
10	613906	BALL BEARING	1				

DM1162 - CUTTERBAR GEARS



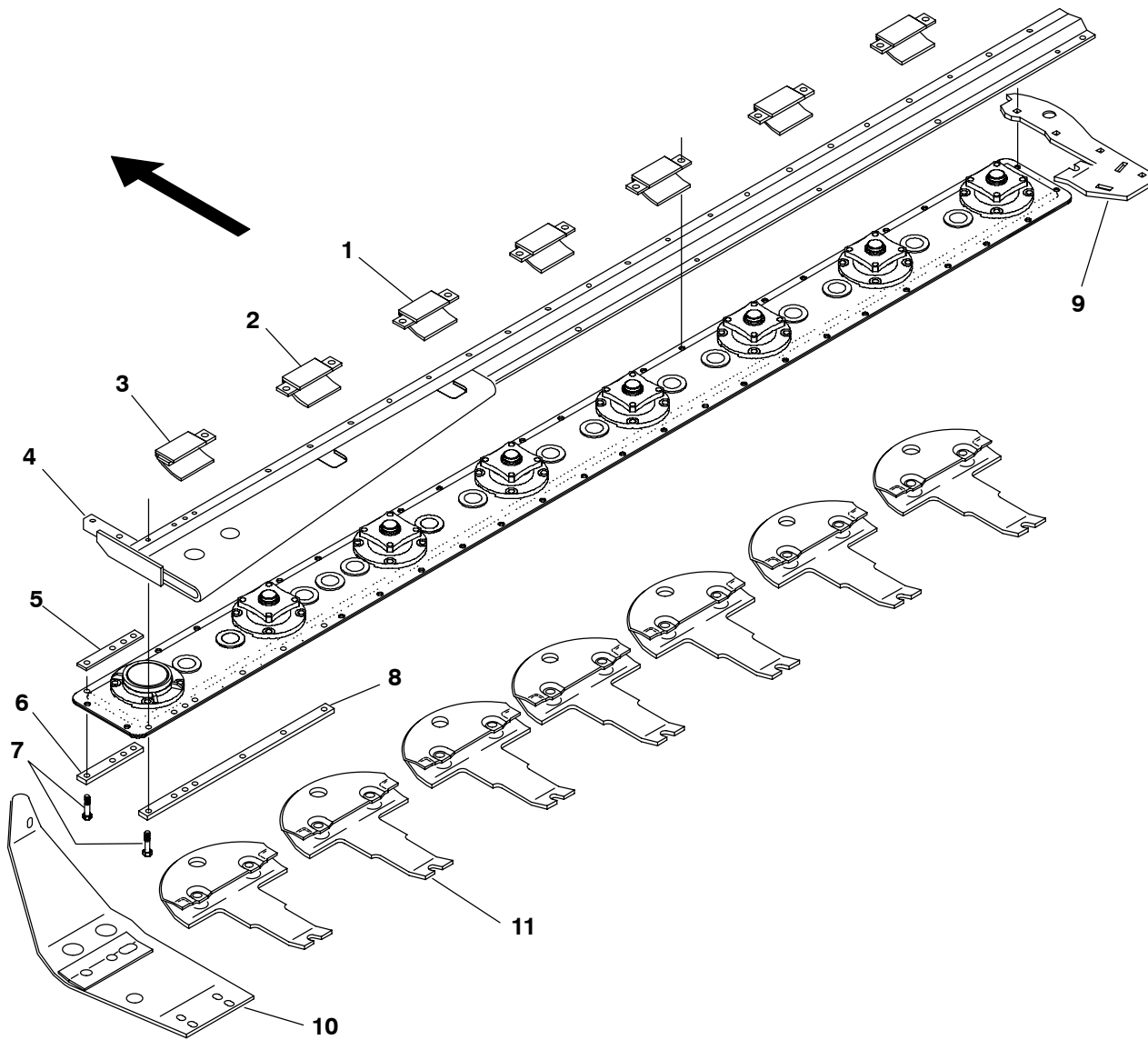
Ref. No.	Part No.	Description	Qty. Req.	Ref. No.	Part No.	Description	Qty. Req.
00	143983	CUTTERBAR/REPLACEMENT	1	12	113306	HEXAGON SCREW M14 X 30	12
		CONSISTS OF		13	113299	NYLON BUSHING	12
01	125427	PLUG/MAGNETIC DRAIN	1	14	113298	SPECIAL BALL BEARING	12
02	125426	RING/SEALING	2	15	125436	RING/RETAINING	24
03	144189	GEAR CASE BOTTOM PLATE	1	16	113292	BRACKET	6
04	142611	GEAR/DRIVE 39 TEETH	1	17	113297	IDLER GEAR 38 TEETH	10
05	613907	SELF-ALIGNING BALL BEARING	1	18	613920	PLUG	1
06	613899	RETAINING RING	1	19	142614	IDLER GEAR 31 TEETH	2
07	613897	RETAINING RING	1	20	113304	LN M12	24
08	144191	O-RING	1	21	113302	DISC BRG HSG COMPLETE	6
09	144190	GEAR CASE TOP PLATE	1	22	113286	O-RING 107 X 2.5	6
10	613913	O-RING	1	23	113303	O-RING 10 X 3	24
11	113301	CONICAL SPRING WASHER	12	24	113290	BRACKET	7

DM1165 - CUTTERBAR GEARS



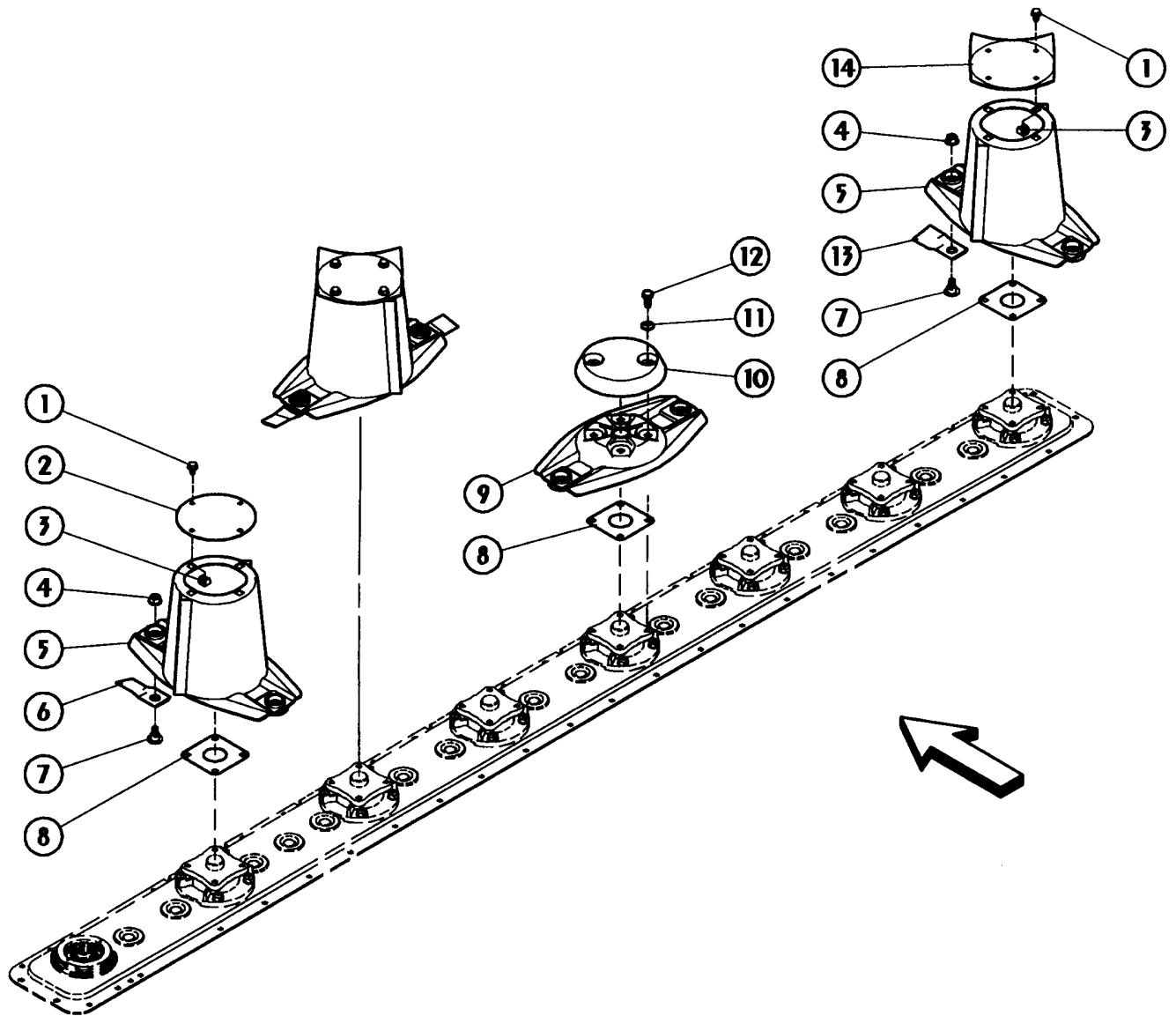
Ref. No.	Part No.	Description	Qty. Req.	Ref. No.	Part No.	Description	Qty. Req.
00	142749	CUTTERBAR/REPLACEMENT	1	13	113299	NYLON BUSHING	15
		CONSISTS OF		14	113298	SPECIAL BALL BEARING	15
01	125427	PLUG/MAGNETIC DRAIN	1	15	125436	RING/RETAINING	30
02	125426	RING/SEALING	2	16	113292	BRACKET	7
03	142610	GEAR CASE BOTTOM PLATE	1	17	113297	IDLER GEAR 38 TEETH	10
04	142611	GEAR/DRIVE 39 TEETH	1	18	113296	IDLER GEAR 29 TEETH	3
05	613907	SELF-ALIGNING BALL BEARING	1	19	142614	IDLER GEAR 31 TEETH	2
06	613899	RETAINING RING	1	20	113304	LN M12	28
07	613897	RETAINING RING	1	21	113302	DISC BRG HSG COMPLETE	7
08	125459	O-RING	1	22	113286	O-RING 107 X 2.5	7
09	142612	GEAR CASE TOP PLATE	1	23	113303	O-RING 10 X 3	28
10	613913	O-RING	1	24	613920	PLUG	1
11	113301	CONICAL SPRING WASHER	15	25	113290	BRACKET	7
12	113306	HEXAGON SCREW M14 X 30	15				

DM1162, 1165 - CUTTERBAR SHOES, GUARDS & WEAR PLATES



Ref. No.	Part No.	Description	Qty. Req.	Ref. No.	Part No.	Description	Qty. Req.
01	142616	WEAR PLATE SHORT	5	07	613724	SPECIAL BOLT	8
02	142617	WEAR PLATE LONG (1165 ONLY)	1	08	142623	REINFORCING BAR REAR	2
03	142618	WEAR PLATE,LEFT	1	09	142624	SKID	1
04	144188	REINFORCING PROFILE (1162 ONLY)	1	10	142625	INNER SHOE	1
	142619	REINFORCING PROFILE (1165 ONLY)	1	11	154108	DISC GUARD (1162)	6
05	142621	SHIM	1		154108	DISC GUARD (1165)	7
06	142622	FRONT REINFORCING BAR	1				

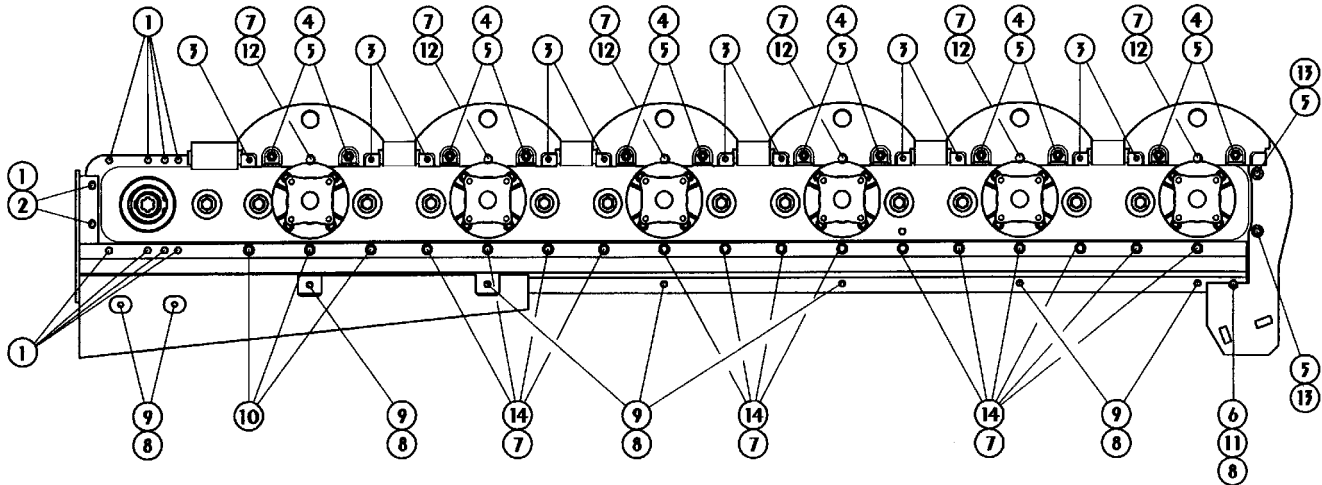
DM1162, 1165 - CUTTERBAR DISCS



Ref. No.	Part No.	Description	Qty. Req.	Ref. No.	Part No.	Description	Qty. Req.
01	613847	UNDERSERRATED LS	8	09	158356	DISC (1162)	4
02	142630	DISC COVER - FLAT	1		158356	DISC (1165)	5
03	113274	CLAMP NUT	8			(AFTER 7809-DM1162 & 9739-DM1165)	
04	125445	NUT/LOCKING (1162)	12		145673	DISC (1162)	4
	125445	NUT/LOCKING (1165)	14		145673	DISC (1165)	5
05	158357	DISC/OUTER	2			(BEFORE 7810-DM1162 & 9740-DM1165)	
	145672	OUTER DISC	2	10	145674	COVER FOR FLAT DISC (1162)	4
		(BEFORE 7810-DM1162 & 9740-DM1165)			145674	COVER FOR FLAT DISC (1165)	5
06	158859 _a	BLADE/RIGHT 4MM (1162)	6	11	113278	CONICAL SPRING WASHER (1162)	24
	158859 _a	BLADE/RIGHT 4MM (1165)	8		113278	CONICAL SPRING WASHER (1165)	28
	170939	PACKAGE OF 25 (158859)		12	142634	HEX SCREW M12 X 20 (10.9)(1162)	24
07	125448	BOLT/BLADE (1162)	12		142634	HEX SCREW M12 X 20 (10.9)(1165)	28
	125448	BOLT/BLADE (1165)	14	13	158860 _a	BLADE/LEFT 4MM	6
08	113276	SHIM WASHER	AR		170940	PACKAGE OF 25 (158860)	
				14	142635	DISC COVER - CURVED	1

a) Not available as a service part.

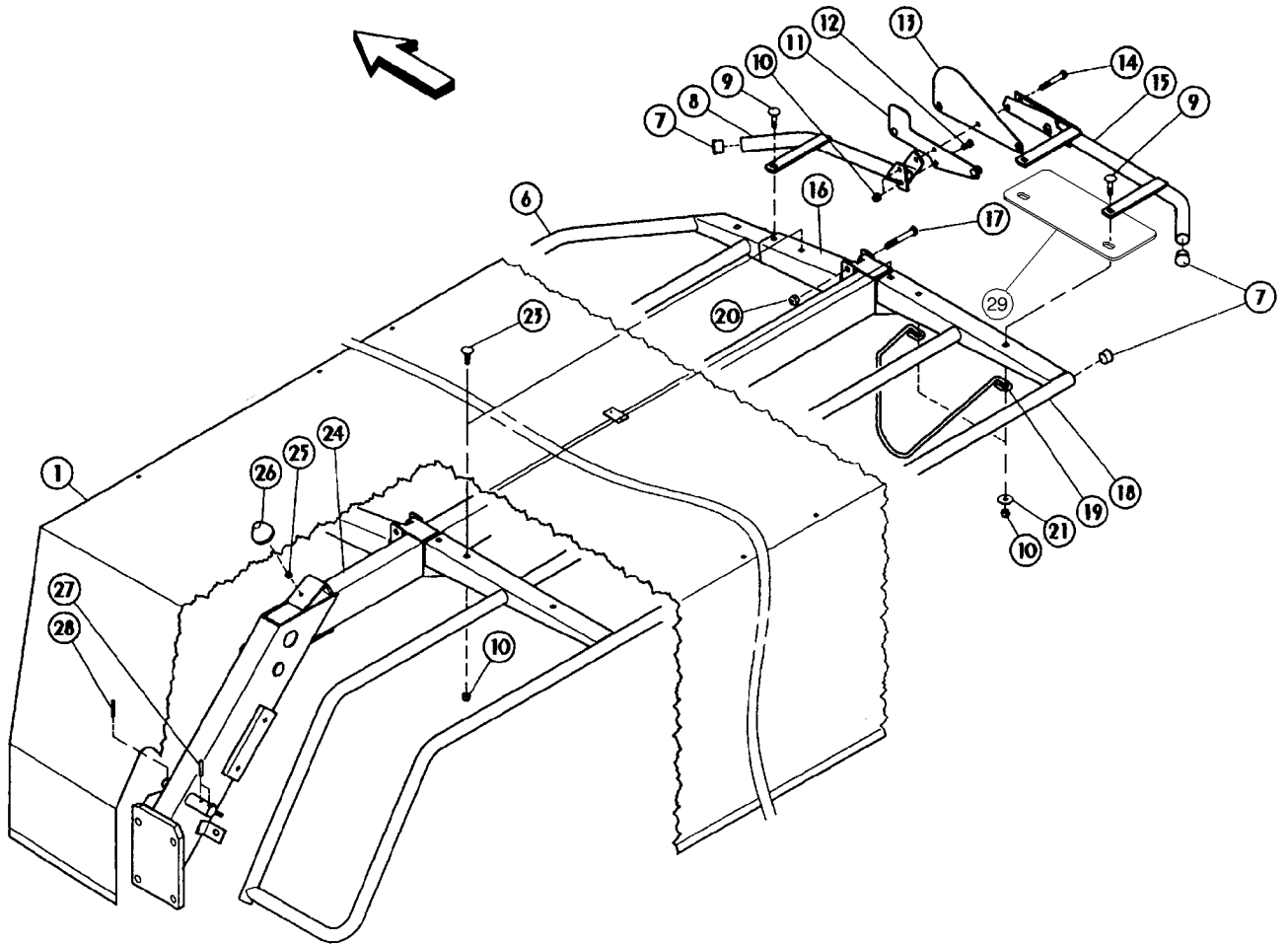
DM1162, 1165 - CUTTERBAR HARDWARE



Ref. No.	Part No.	Description	Qty. Req.	Ref. No.	Part No.	Description	Qty. Req.
01	613863	SELF-LOCKING NUT M12	10	09	142640	CARRIAGE BOLT (1162)	8
02	142532	HEXAGON SCREW M12 X 55	2		142640	CARRIAGE BOLT (1165)	9
03	613848	UNDERSERRATED LS (1162)	11	10	142641	LS M10 X 30	3
	613848	UNDERSERRATED LS (1165)	13	11	142642	CONICAL SPRING WASHER	1
04	613864	LN M12 (1162)	12	12	125442	LS M10 X 18 (1162)	6
	613864	LN M12 (1165)	14		125442	LS M10 X 18 (1165)	7
05	142638 ^a	CARRIAGE BOLT (1162)	14	13	142643	LN M12	2
	142638 ^a	CARRIAGE BOLT (1165)	16	14	613849	UNDERSERRATED LS (1162)	14
06	142639	CARRIAGE BOLT	1		613849	UNDERSERRATED LS (1165)	17
07	613859	UNDERSERRATED LN (1162)	20				
	613859	UNDERSERRATED LN (1165)	24				
08	071246	NILN M10 (1162)	9				
	071246	NILN M10 (1165)	10				

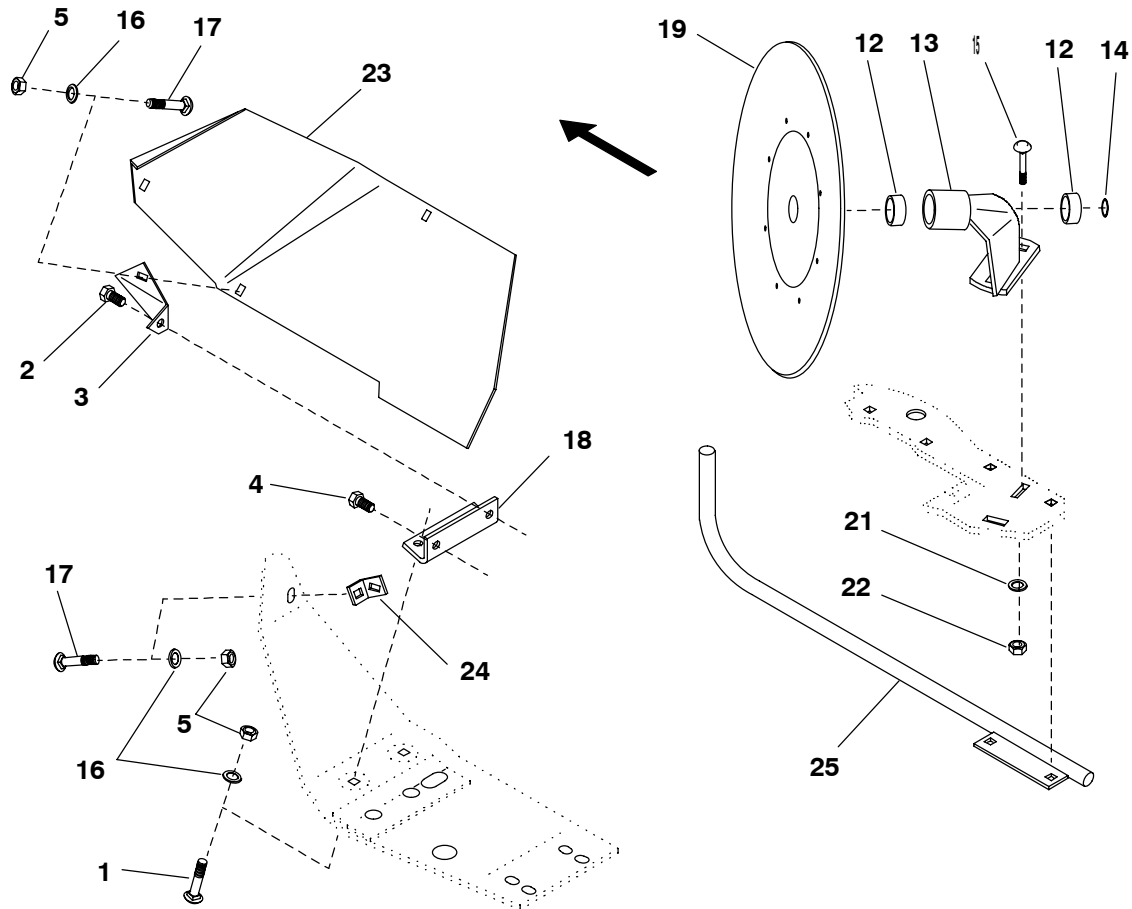
a) Welded in place on later units.

DM1162, 1165 - PROTECTIVE COVER & FRAME

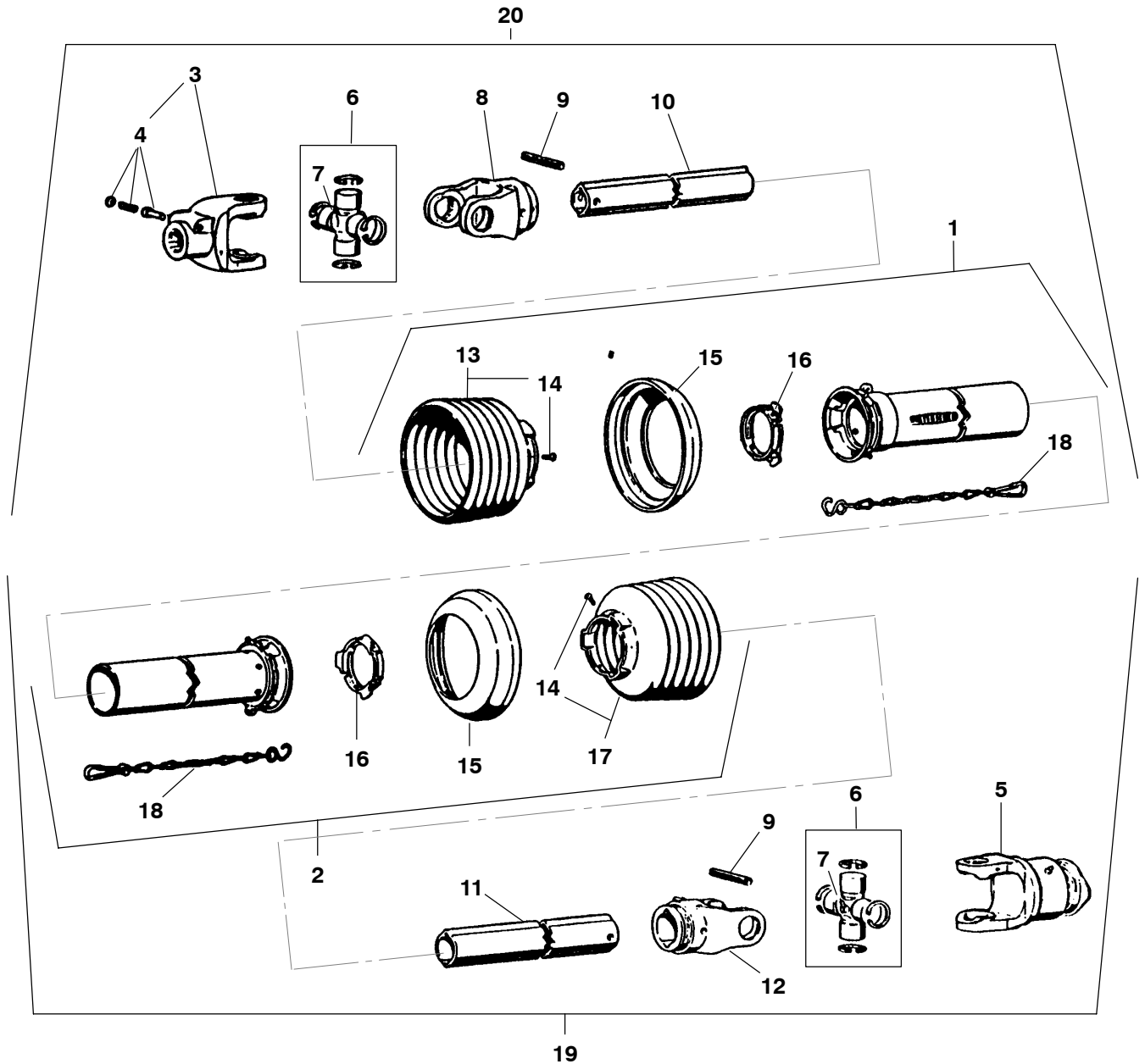


Ref. No.	Part No.	Description	Qty. Req.	Ref. No.	Part No.	Description	Qty. Req.
01	144065	PROTECTION COVER (1162)	1	17	656020	CS M12 X 55	3
	142652	PROTECTION COVER (1165)	1	18	144197	REAR ARM (1162)	1
06	144196	SAFETY FRAME FRONT (1162)	1		142653	REAR ARM (1165)	1
	142644	SAFETY FRAME FRONT (1165)	1	19	142651	RETAINING ROD	1
07	142650	END PLUG	3	20	142646	SELF-LOCKING NUT	5
08	142664	GUARD FRONT	1	21	613871	PLAIN WASHER	6
09	142657	CARRIAGE BOLT	3	23	142640	CARRIAGE BOLT	10
10	071246	NILN M10	14	24	144198	SAFETY FRAME (1162)	1
11	142658	GUARD PAWL	1		142654	SAFETY FRAME (1165)	1
12	656006	CS M10 X 20	1	25	142656	LN M8	1
13	142660	GUARD	1	26	142655	BUMPER	1
14	142661	M10-1.5 X 65 GR 8.8 ZY	1	27	610474	ROLL PIN 8 MM X 40	2
15	142662	GUARD REAR	1	28	142649	ROLL PIN 6 MM X 40	1
16	142645	ARM SUPPORT FRONT	3	29	144064	SUPPORT/DECAL	1

DM1162, 1165 - OUTER SWATH WHEEL & INNER SWATH BOARD



Ref. No.	Part No.	Description	Qty. Req.	Ref. No.	Part No.	Description	Qty. Req.
01	142640	CARRIAGE BOLT	2	18	142678	INNER SHOE FRT ATTACHMENT	1
02	142671	SELF-LOCKING SCREW	1	19	142679	SWATH DISC (STEEL)	1
03	613732	BRACKET	1	21	113278	CONICAL SPRING WASHER	2
04	142672	SELF-LOCKING SCREW	1	22	142646	SELF-LOCKING NUT M12	2
05	071246	NILN M10	6	23	142681	INNER SWATH BOARD	1
12	142673	BALL BEARING	2	24	613735	BRACKET	1
13	142674	SUPPORT ARM	1	25	159595	KIT/SIDE DEFLECTOR	1
14	613896	RETAINING RING 25 MM	1			(AFTER SN7909 - DM1162)	
15	142676	CARRIAGE BOLT	2			(AFTER SN9875 - DM1165)	
16	613871	PLAIN WASHER	6	159594	KIT/SIDE DEFLECTOR	1	
17	142677	CARRIAGE BOLT	4			(BEFORE SN7910 - DM1162)	
						(BEFORE SN9876 - DM1165)	



Ref. No.	Part No.	Description	Qty. Req.	Ref. No.	Part No.	Description	Qty. Req.
01	142702	OUTER GUARD HALF	1	11	142710	PROFILE TUBE	1
02	142703	INNER GUARD HALF	1	12	142711	INBOARD YOKE	1
03	142704	YOKE ASSY	1	13	142712	GUARD CONE	1
04	613155	KIT/Q/D PIN	1	14	142713	SCREW	2
05	142705	FREE WHEEL YOKE	1	15	613997	REINFORCING COLLAR	2
06	142706	CROSS JOURNAL	2	16	604725	CLIP/GUARD	2
07	613985	GREASE ZERK	2	17	142714	GUARD CONE	1
08	142707	YOKE	1	18	604728	CHAIN/PTO	2
09	142708	ROLL PIN	2	19	142715	INNER PTO-HALF	1
10	142709	PROFILE TUBE	1	20	142716	OUTER PTO-HALF	1

DM1162, 1165 - NUMERICAL INDEX

Part No.	Page No.	Ref. No.	Part No.	Page No.	Ref. No.	Part No.	Page No.	Ref. No.	Part No.	Page No.	Ref. No.
056080	7	01	142519	04	03	142581	07	24	142640	14	09
071246	14	08	142521	04	12	142582	07	27	142640	15	23
071246	14	08	142521	05	15	142583	07	01	142640	16	01
071246	15	10	142522	04	13	142587	07	37	142641	14	10
071246	16	05	142523	04	14	142588	08	07	142642	14	11
113274	13	03	142525	04	16	142589	08	09	142643	14	13
113276	13	08	142526	04	17	142590	08	23	142644	15	06
113278	04	22	142527	04	18	142591	08	11	142645	15	16
113278	13	11	142528	04	19	142592	08	14	142646	15	20
113278	13	11	142530	04	21	142593	08	12	142646	16	22
113278	16	21	142532	04	23	142594	08	03	142649	15	28
113286	10	22	142532	14	02	142595	08	24	142650	15	07
113286	11	22	142533	04	24	142596	08	25	142651	15	19
113290	10	24	142534	04	25	142597	08	26	142652	15	01
113290	11	25	142535	04	27	142598	08	27	142653	15	18
113292	10	16	142536	04	28	142599	08	28	142654	15	24
113292	11	16	142537	04	29	142601	08	30	142655	15	26
113296	11	18	142541	05	18	142602	09	03	142656	15	25
113297	10	17	142543	05	03	142603	09	06	142657	15	09
113297	11	17	142544	05	17	142604	09	07	142658	15	11
113298	10	14	142545	05	11	142605	09	08	142660	15	13
113298	11	14	142546	05	12	142606	09	09	142662	15	15
113299	10	13	142547	05	13	142607	09	20	142664	15	08
113299	11	13	142548	05	14	142608	09	14	142665	05	21
113301	10	11	142549	05	09	142609	09	00	142665	07	22
113301	11	11	142550	05	04	142610	11	03	142666	05	22
113302	10	21	142551	05	16	142611	10	04	142667	05	20
113302	11	21	142556	05	10	142611	11	04	142668	05	23
113303	10	23	142557	05	02	142612	11	09	142668	07	44
113303	11	23	142558	05	01	142614	10	19	142671	16	02
113304	10	20	142559	07	34	142614	11	19	142672	16	04
113304	11	20	142560	07	07	142616	12	01	142673	16	12
113306	10	12	142563	07	26	142617	12	02	142674	16	13
113306	11	12	142564	07	28	142618	12	03	142676	16	15
125426	10	02	142565	07	20	142619	12	04	142677	16	17
125426	11	02	142566	07	19	142621	12	05	142678	16	18
125427	10	01	142567	07	18	142622	12	06	142679	16	19
125427	11	01	142568	07	31	142623	12	08	142681	16	23
125436	10	15	142569	07	17	142624	12	09	142702	17	01
125436	11	15	142570	07	16	142625	12	10	142703	17	02
125442	14	12	142571	07	11	142630	13	02	142704	17	03
125442	14	12	142572	07	10	142634	13	12	142705	17	05
125445	13	04	142573	07	09	142634	13	12	142706	17	06
125445	13	04	142574	07	15	142635	13	14	142707	17	08
125448	13	07	142575	07	35	142638	14	05	142708	04	32
125448	13	07	142576	07	33	142638	14	05	142708	17	09
125459	11	08	142577	07	14	142639	14	06	142709	17	10
142518	04	02	142579	07	23	142640	14	09	142710	17	11

DM1162, 1165 - NUMERICAL INDEX







Part No.	Page No.	Ref. No.	Part No.	Page No.	Ref. No.	Part No.	Page No.	Ref. No.	Part No.	Page No.	Ref. No.
142711	17	12	158357	13	05	613708	07	03	613874	08	05
142712	17	13	158358	08	16	613709	07	05	613877	09	05
142713	17	14	158859	13	06	613721	09	21	613878	09	05
142714	17	17	158859	13	06	613723	08	18	613879	04	05
142715	17	19	158860	13	13	613723	09	02	613884	04	31
142716	17	20	159593	07	46	613724	12	07	613887	07	32
142719	05	06	159594	16	25	613732	16	03	613889	07	21
142719	07	13	159595	16	25	613735	16	24	613894	04	26
142749	11	00	159754	07	38	613738	09	17	613896	08	04
143983	10	00	170939	13	06	613745	09	12	613896	16	14
144064	15	29	170940	13	13	613756	04	04	613897	10	07
144065	15	01	170946	07	25	613757	04	06	613897	11	07
144188	12	04	172217	04	18	613758	04	07	613899	09	04
144189	10	03	172218	04	17	613818	08	20	613899	10	06
144190	10	09	172219	04	33	613819	08	13	613899	11	06
144191	10	08	172220	07	04	613822	08	19	613904	08	06
144196	15	06	172221	07	03	613845	08	22	613905	09	16
144197	15	18	172222	07	49	613847	08	01	613906	09	10
144198	15	24	604725	17	16	613847	13	01	613907	10	05
144842	07	36	604728	17	18	613848	14	03	613907	11	05
144843	07	45	610452	04	20	613848	14	03	613910	09	11
144844	07	43	610453	04	15	613849	14	14	613913	10	10
145672	13	05	610463	05	05	613849	14	14	613913	11	10
145673	13	09	610463	07	12	613856	08	21	613914	09	15
145673	13	09	610463	08	29	613857	07	08	613917	07	06
145674	13	10	610465	04	10	613859	14	07	613918	09	18
145674	13	10	610465	05	07	613859	14	07	613919	09	19
152204	05	19	610474	15	27	613860	08	10	613920	10	18
152206	07	39	613155	17	04	613862	08	15	613920	11	24
152207	07	41	613688	04	11	613863	14	01	613921	07	02
152208	07	42	613689	09	13	613864	14	04	613925	08	16
154108	12	11	613690	08	17	613864	14	04	613985	17	07
154108	12	11	613690	09	01	613867	04	09	613997	17	15
156913	07	47	613692	08	08	613871	08	02	656006	15	12
156914	07	48	613692	09	22	613871	15	21	656020	15	17
158356	13	09	613693	04	01	613871	16	16	656072	07	40
158356	13	09	613704	04	30	613873	04	08	656185	15	14

NOTES:

TORQUE SPECIFICATIONS

NOTE: Use these torque values when tightening hardware (excluding: locknuts and self-tapping, thread-forming and sheet metal screws) unless specified otherwise.

All torque values are in Lb-Ft, except those marked with an *, which are Lb-In.
(For metric torque value Nm, multiply Lb-Ft value by 1.355 or Lb-In value by 0.113.)

Unified National Thread	Grade 2 		Grade 5 		Grade 8 	
	Dry	Lubed	Dry	Lubed	Dry	Lubed
8-32 8-36	19* 20*	14* 15*	30* 31*	22* 23*	41* 43*	31* 32*
10-24 10-32	27* 31*	21* 23*	43* 49*	32* 36*	60* 68*	45* 51*
1/4-20 1/4-28	66* 76*	50* 56*	9 10	75* 86*	12 14	9 10
5/16-18 5/16-24	11 12	9	17 19	13 14	25	18 20
3/8-16 3/8-24	20 23	15 17	30 35	23 25	45 50	35
7/16-14 7/16-20	32 36	24 27	50 55	35 40	70 80	55 60
1/2-13 1/2-20	50 55	35 40	75 90	55 65	110 120	80 90
9/16-12 9/16-18	70 80	55 60	110 120	80 90	150 170	110 130
5/8-11 5/8-18	100 110	75 85	150 180	110 130	220 240	170 180
3/4-10 3/4-16	175 200	130 150	260 300	200 220	380 420	280 320
7/8-9 7/8-14	170 180	125 140	430 470	320 360	600 660	460 500
1-8 1-14	250 270	190 210	640 710	480 530	900 1000	680 740
Metric Course Thread	Grade 8.8 		Grade 10.9 		Grade 12.9 	
	Dry	Lubed	Dry	Lubed	Dry	Lubed
M6-1	8	6	11	8	13.5	10
M8-1.25	19	14	27	20	32.5	24
M10-1.5	37.5	28	53	39	64	47
M12-1.75	65	48	91.5	67.5	111.5	82
M14-2	103.5	76.5	145.5	108	176.5	131
M16-2	158.5	117.5	223.5	165.5	271	200

GEHL®

Gehl Company 143 Water Street, P.O. Box 179, West Bend, WI 53095-0179 U.S.A.